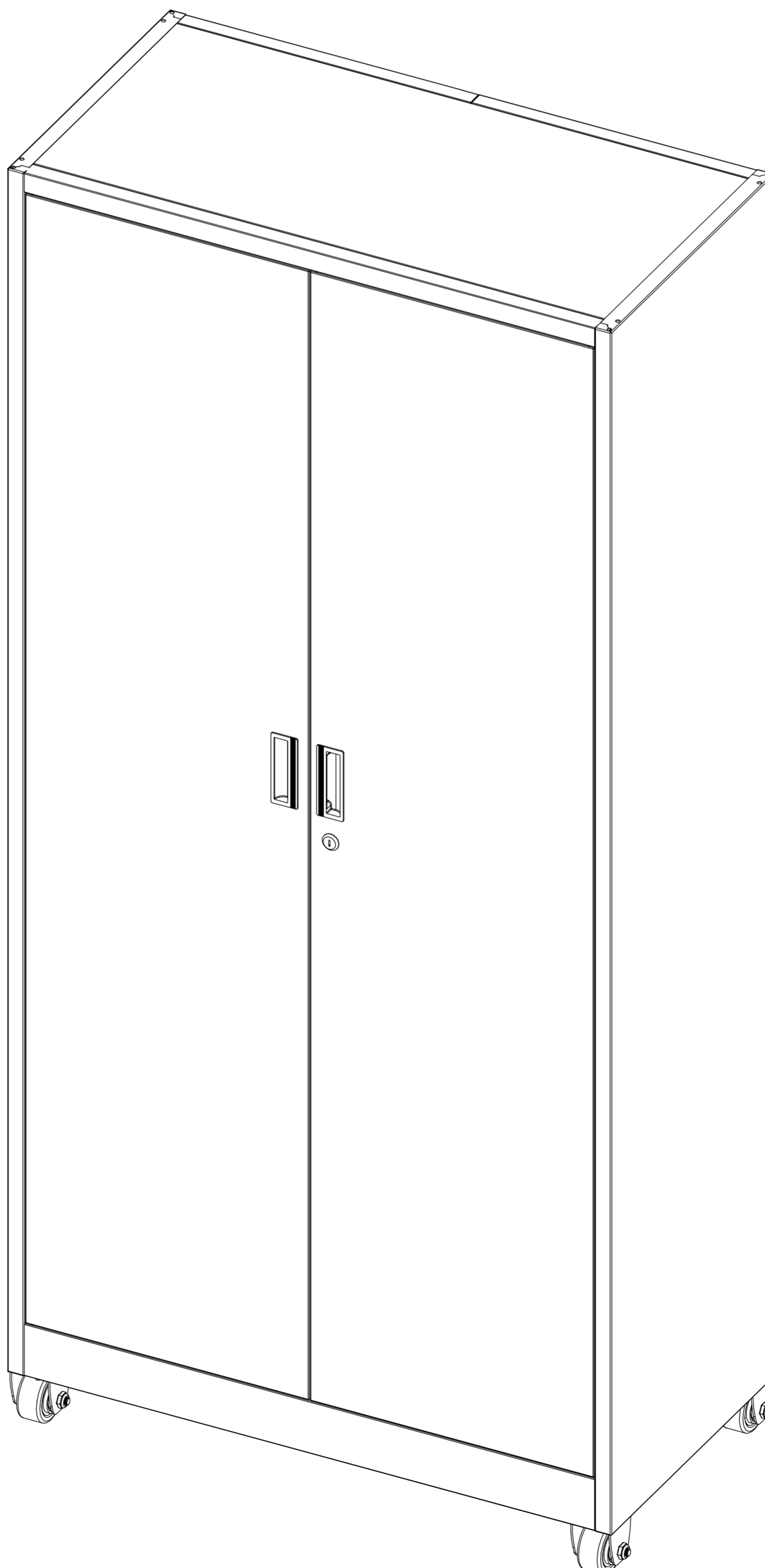
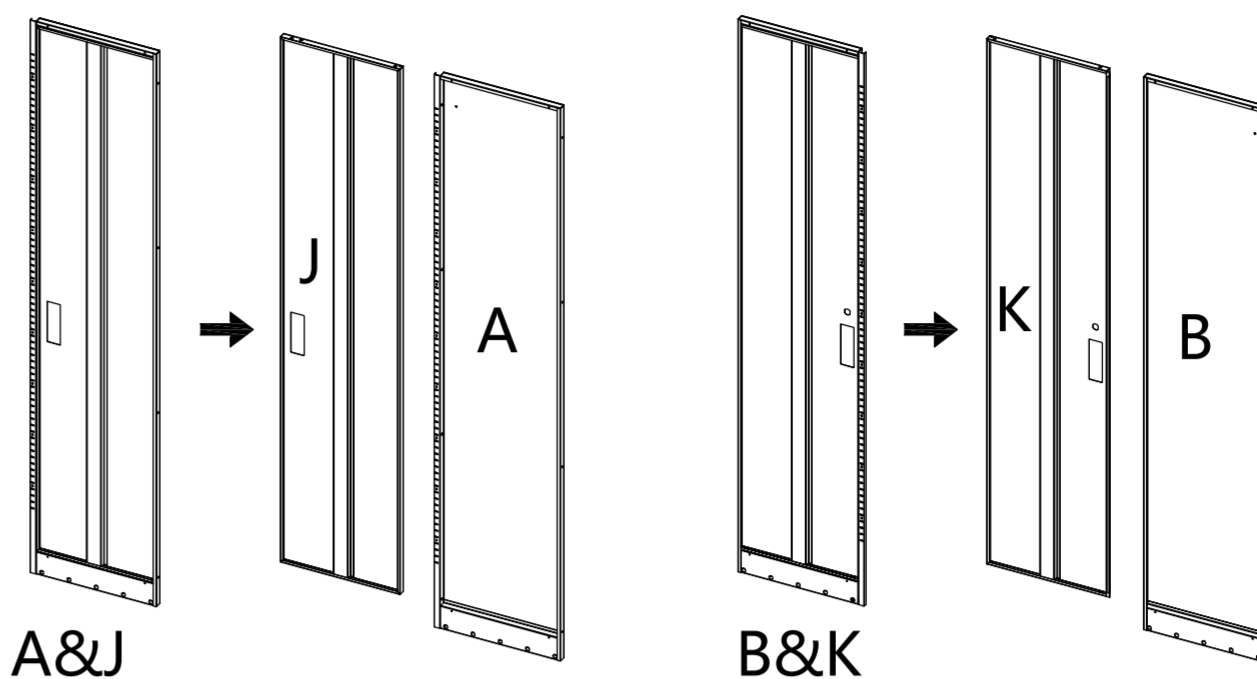




WARNING!

For smooth assembly you can use a power screwdriver wear safety glasses and gloves when using tools.

Attention!Attention! The J panel and the A panel are embedded within the A back panel and the B back panel; they need to be removed during the assembly process.



THANK YOU FOR CHOOSING US!

Your new wheeled metal cabinet has arrived and it will make your life so much easier. That's why we put so much effort into designing it to perfectly fit your needs.

But first things first, we need to install it!

When we say "we" , we mean we're going to guide you, step by step. We created this instructions manual so that you won't feel overwhelmed and get your new wheeled metal cabinet up and ready to use in no time! We also know that sometimes things just don't seem to fit, so don't hesitate to drop us if you have questions or need help!

Anyways, this wheeled metal cabinet CAN'T WAIT To BE OF SERVICE so let's assemble it!

MISSING A PART? DON'T WORRY, WE GOT YOUR BACK!

**Compare the sketch on the next page with your package. Are all the pieces there?
However, sometimes errors happen,so if anything is missing just send us an email and we will make sure to fix it!**

Before you start, here are a few quick pointers:

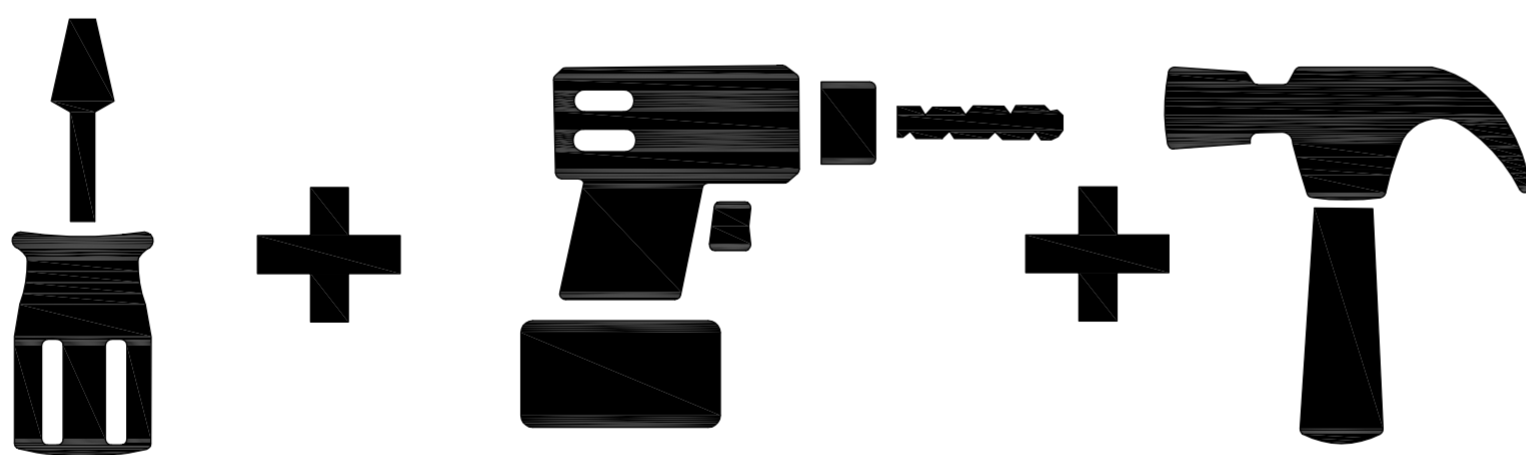
The installation requires two people. so call a friend to join the fun!

For more stability, it's best to anchor the cabinet to the wall.

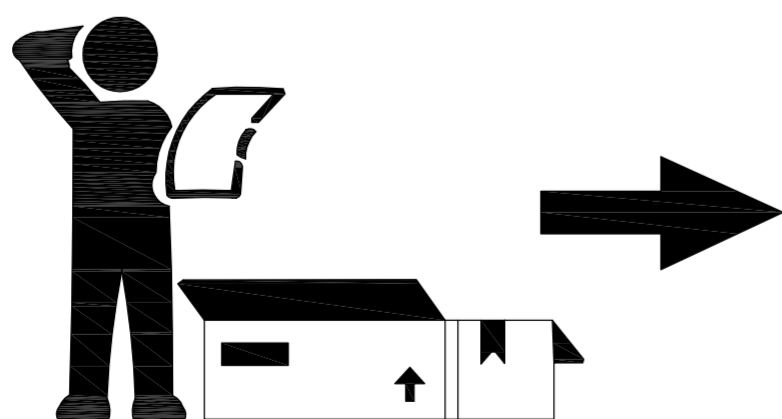
In this case, along with the items provided you will also need a **Level, Percussion Drill and a Hammer**



**SUGGEST
2PEOPLE**



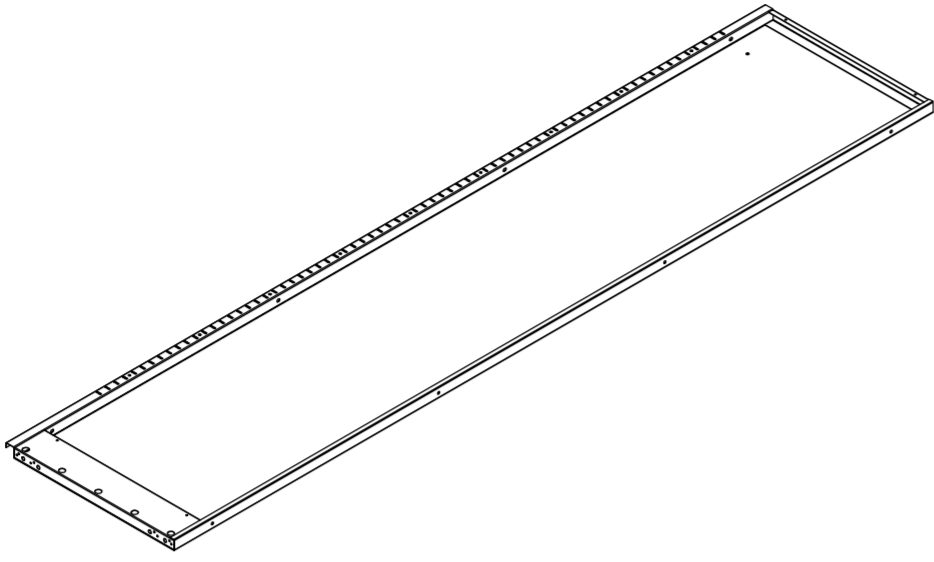
**TOOLS
REQUIRED**



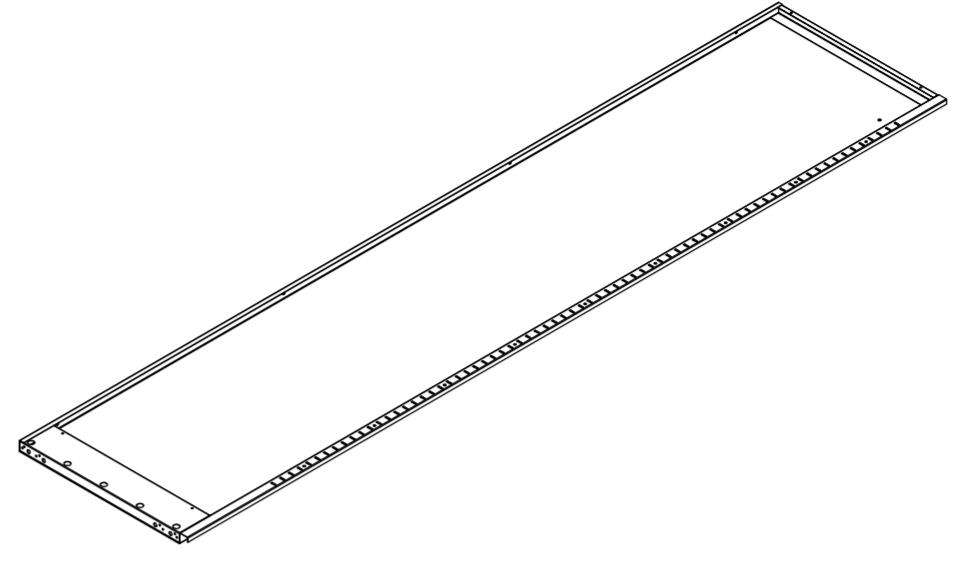
**WE ARE
GLAD TO
HELP**

PARTS LIST

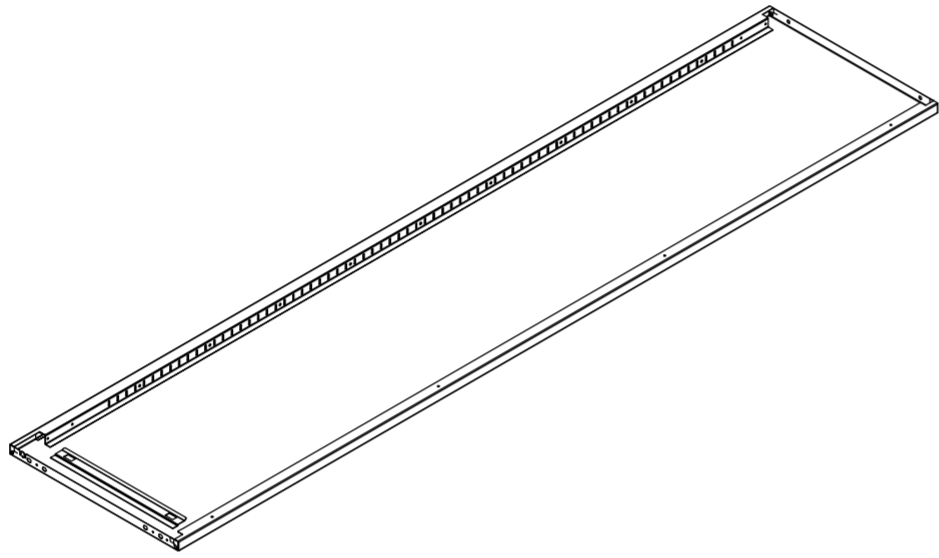
A*1



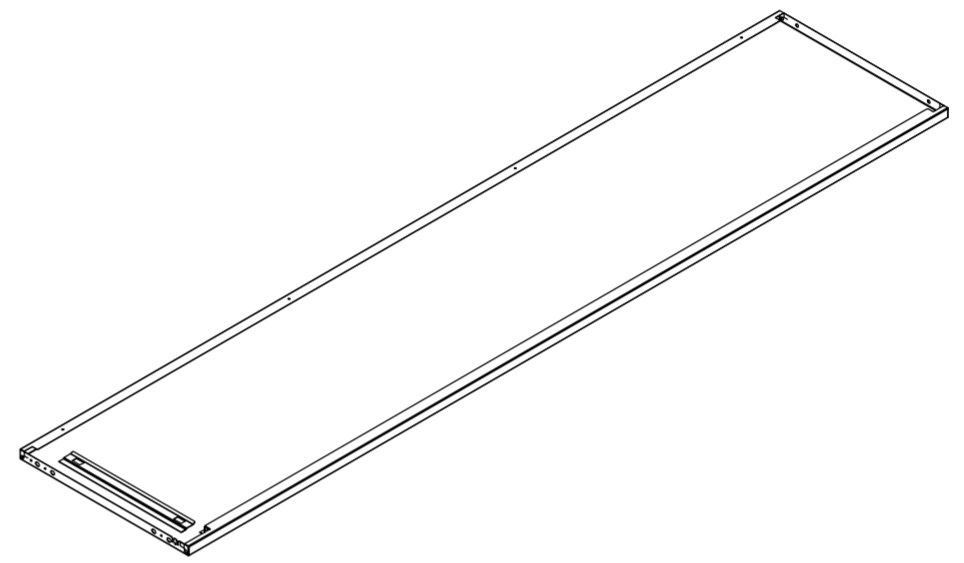
B*1



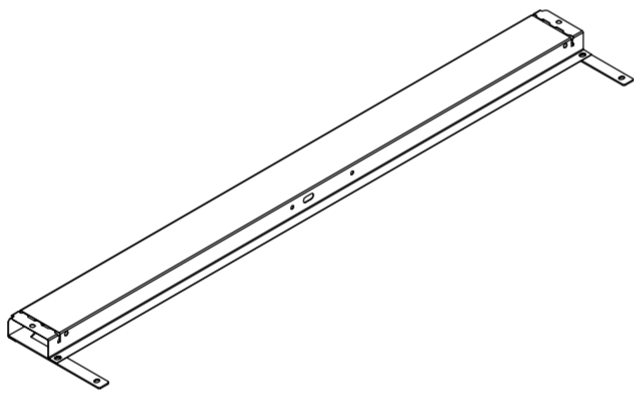
C*1



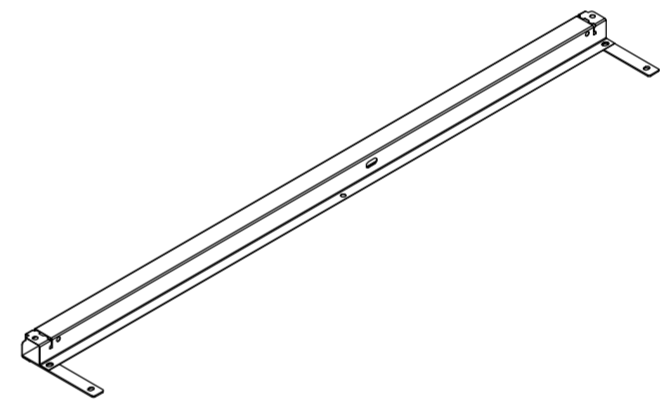
D*1



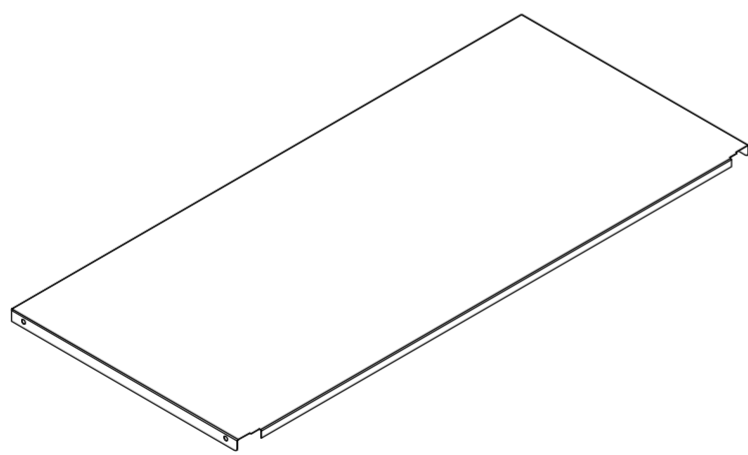
E*1



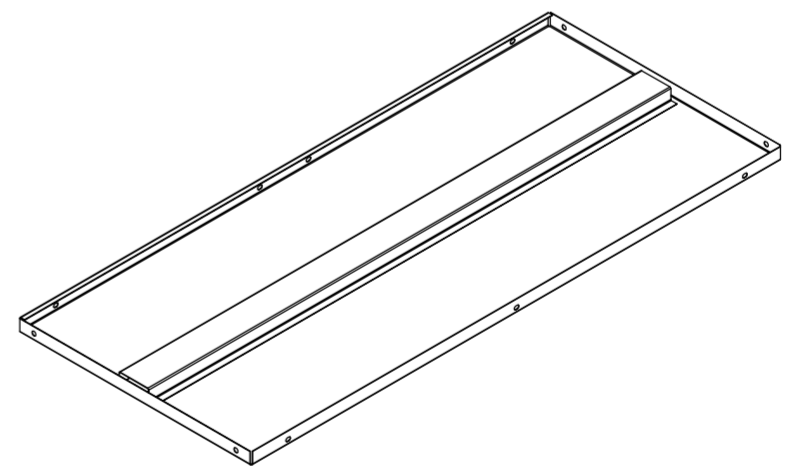
F*1



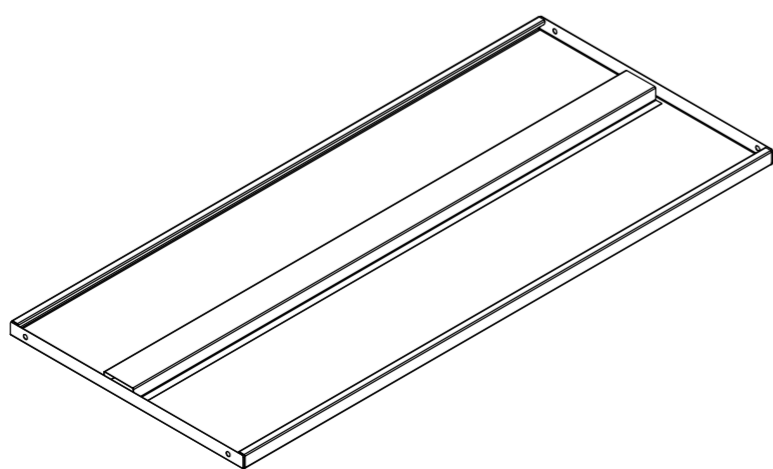
G*1



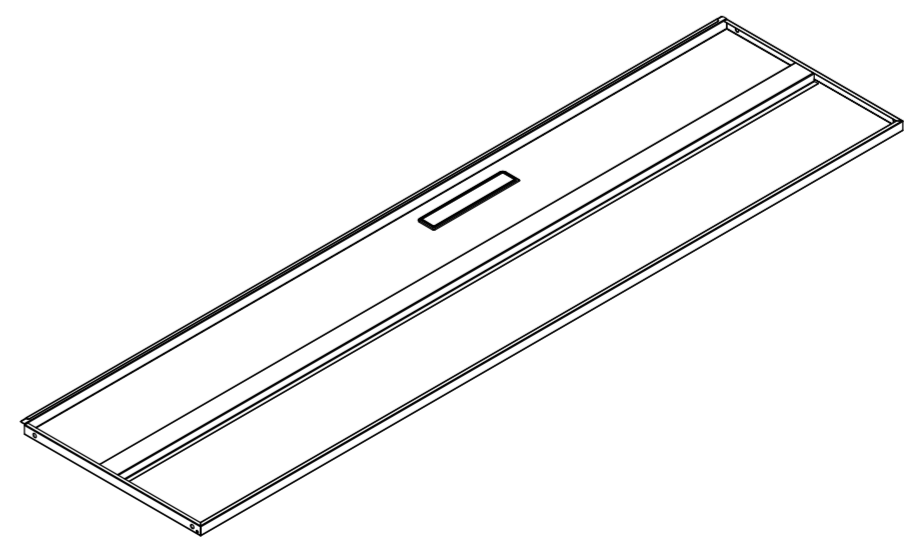
H*1



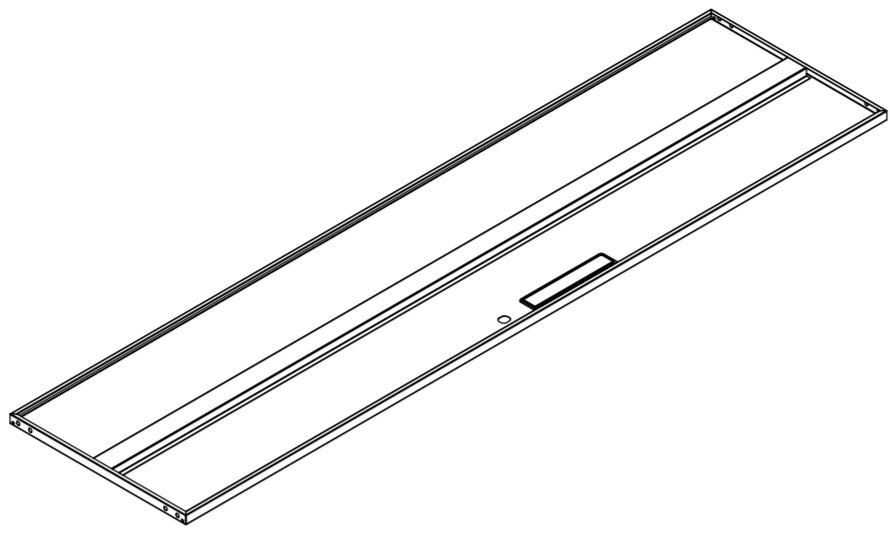
I*4



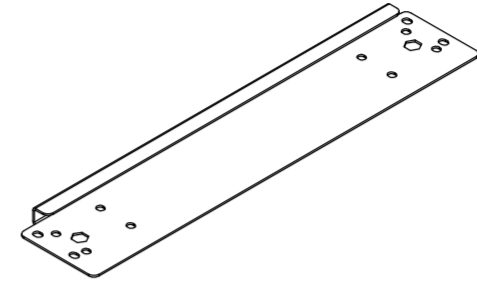
J*1



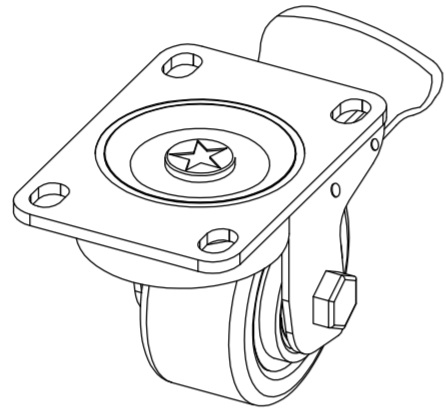
K*1



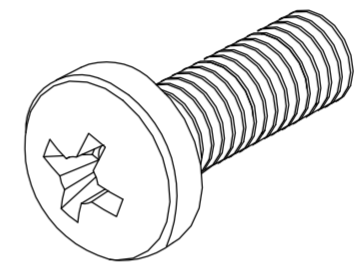
L*2



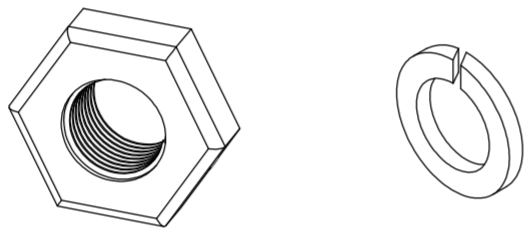
M*4



N*16



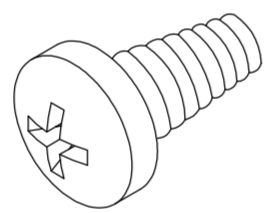
O*16



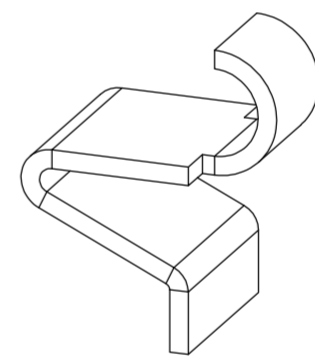
P*4



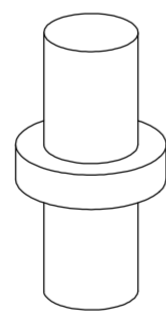
R*35



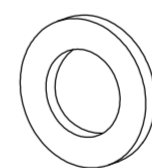
S*16



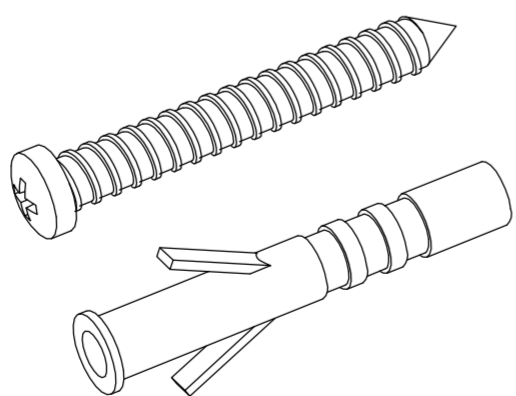
T*2



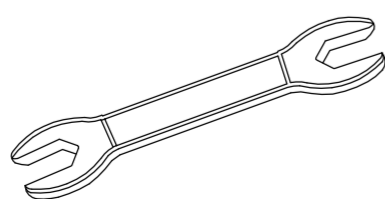
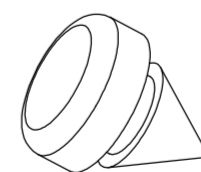
U*4

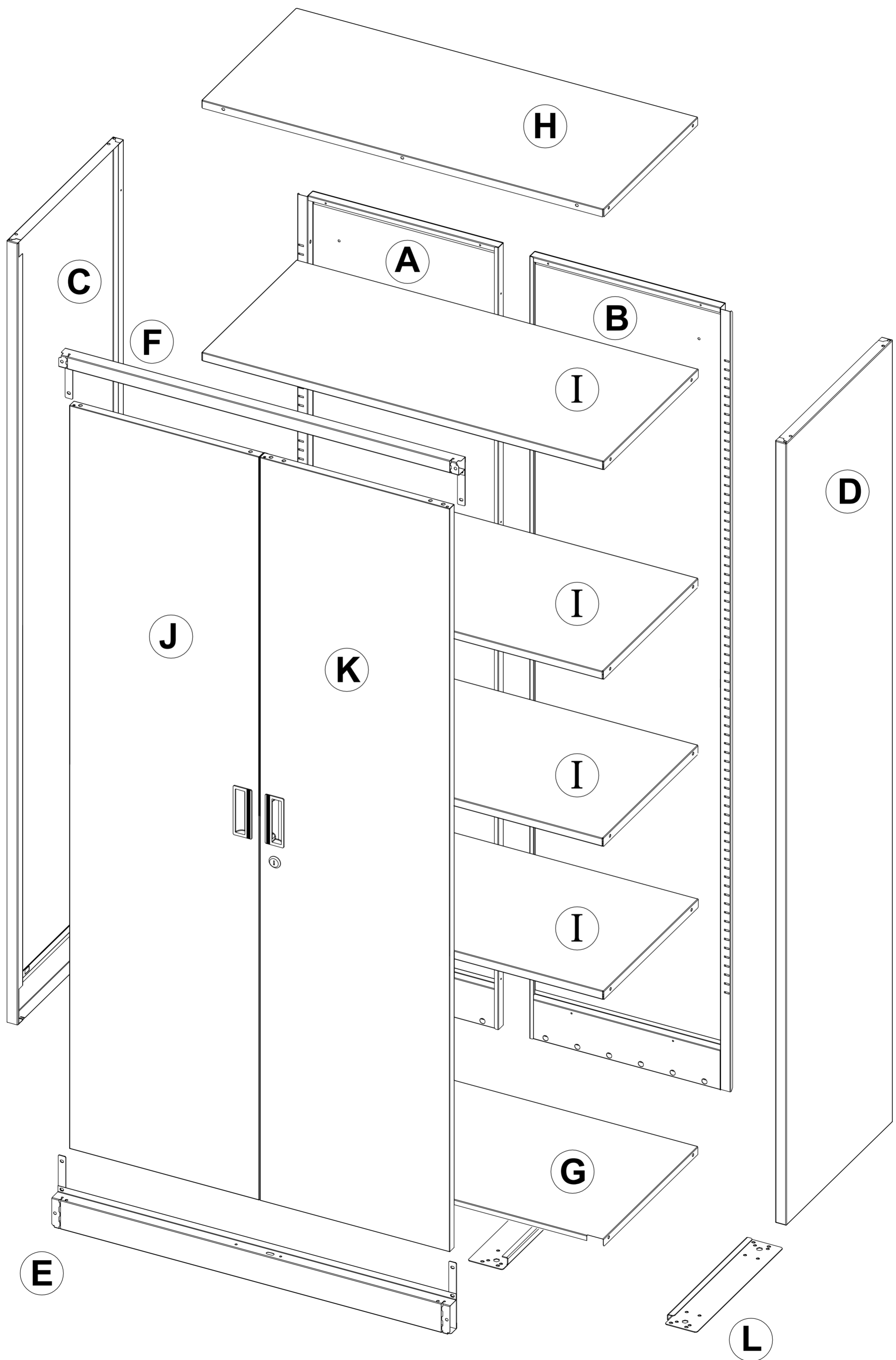


V*2



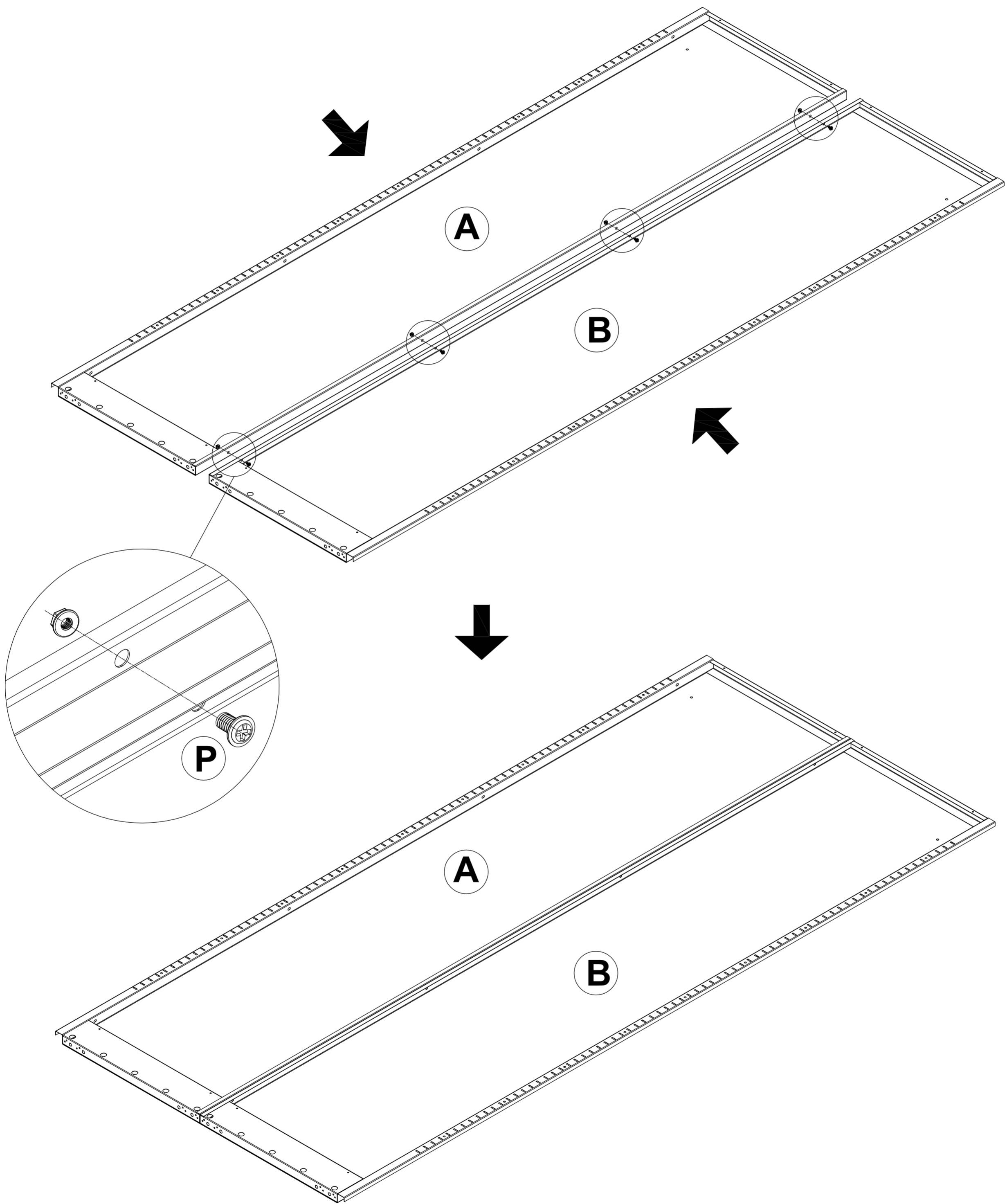
W*1

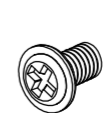





Step 1

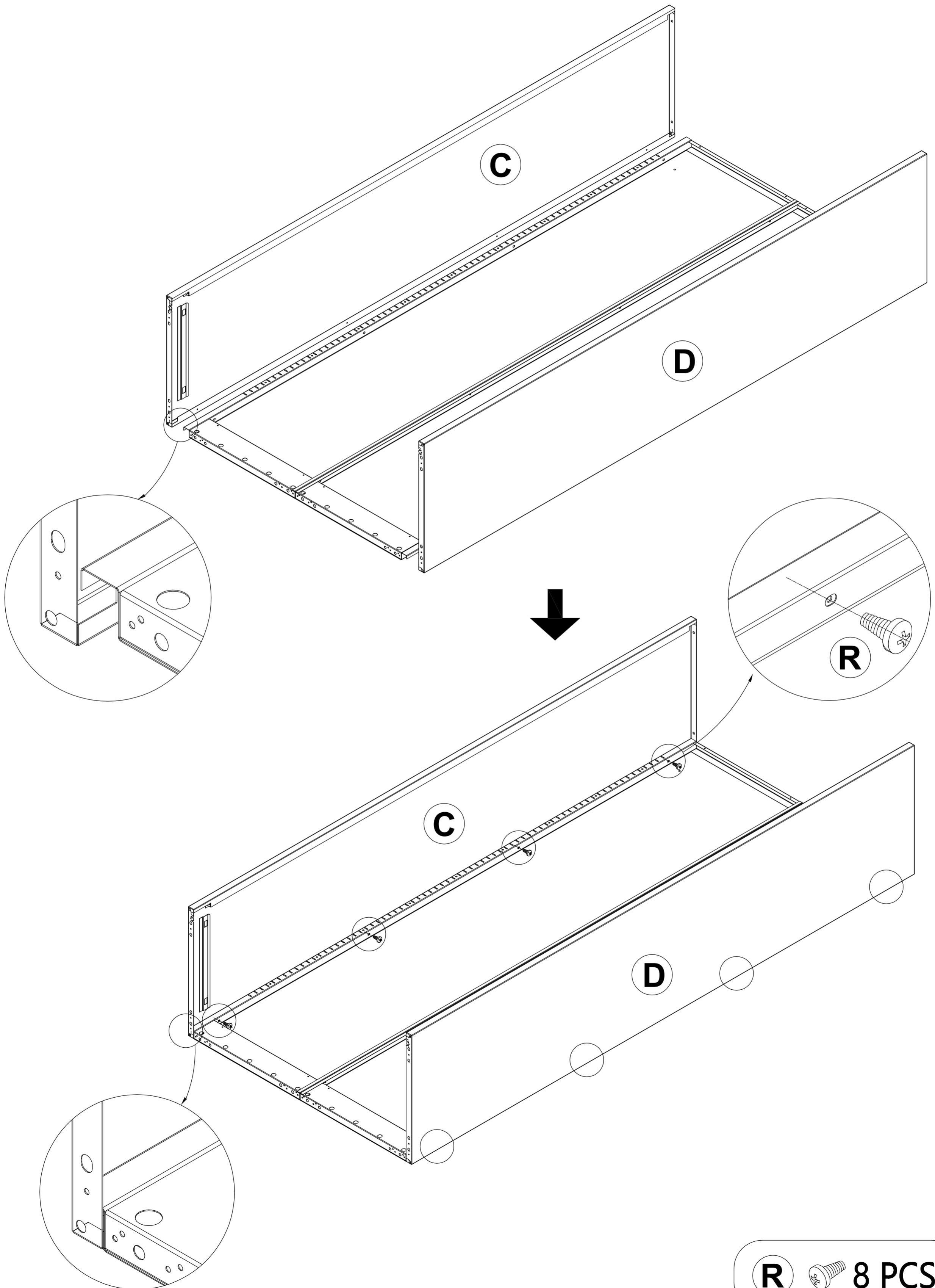
Connect panel A and panel B to each other, align the hole position, and secure with screw and nut P.



P   4 PCS

Step 2

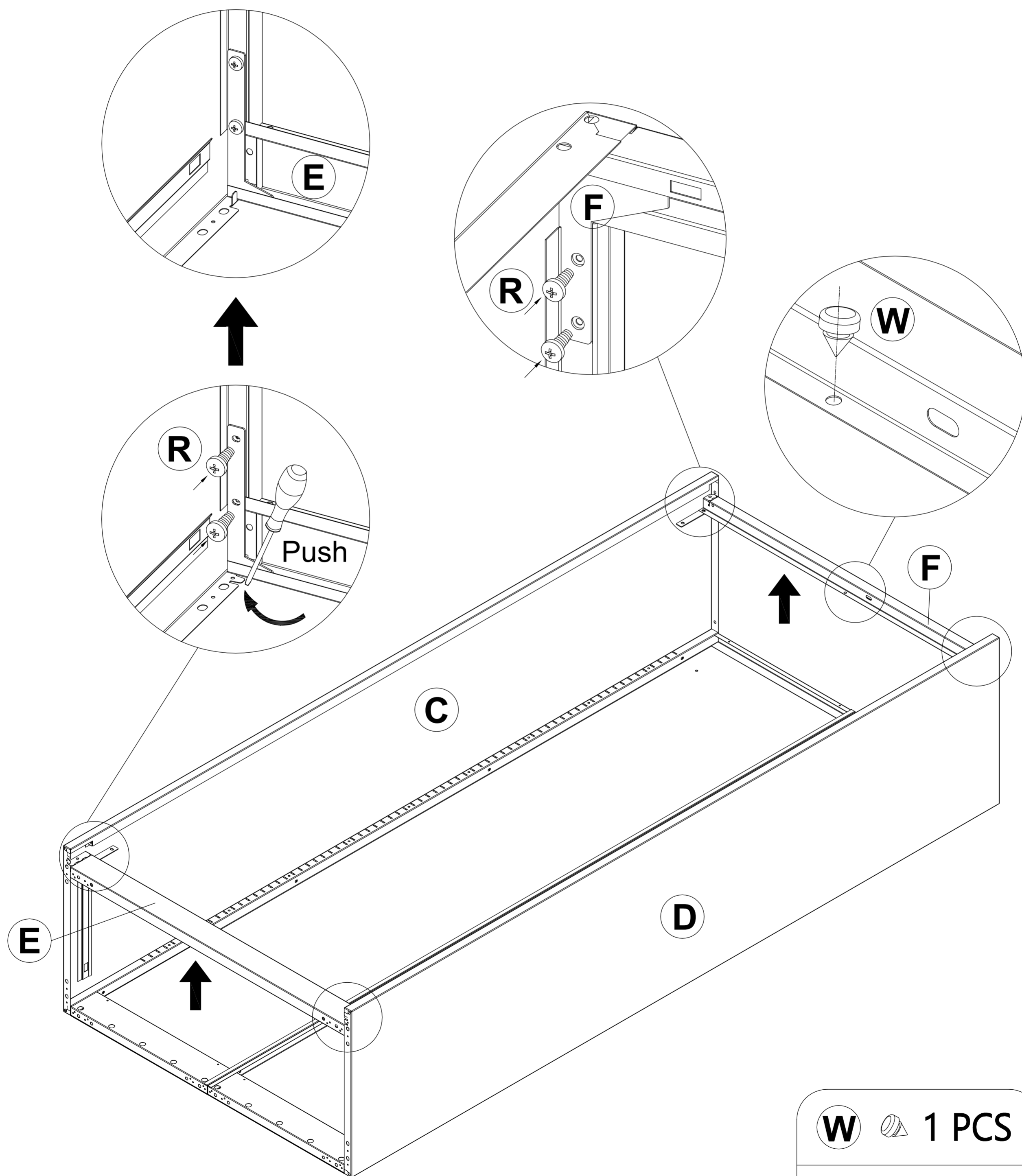
Connect panel C to panel A and panel D to panel B, then align the hole position and secure with screw R.



Step 3

Set the frame E at the bottom of the C D position.
Drive two screws on each side.

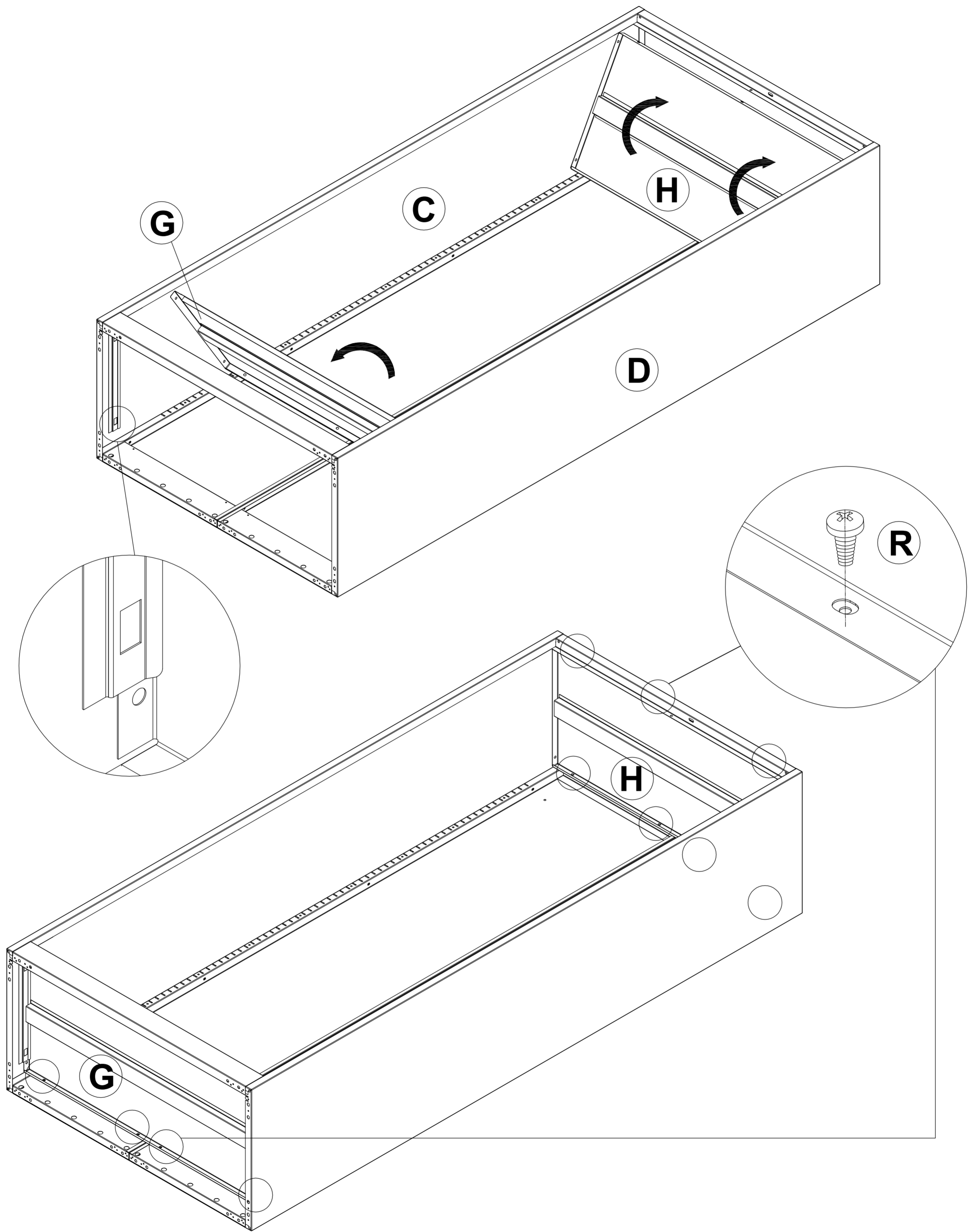
Install the frame F to the top of the C and D, and push the bottom opening position of the C and D up with the screw R. finally install the W on the F above.



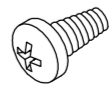
- | | | |
|----------|---|-------|
| W |  | 1 PCS |
| R |  | 8 PCS |

Step 4

Push the top H from the bottom to the top position.
Connect A to H and B to H with 7 screws R.

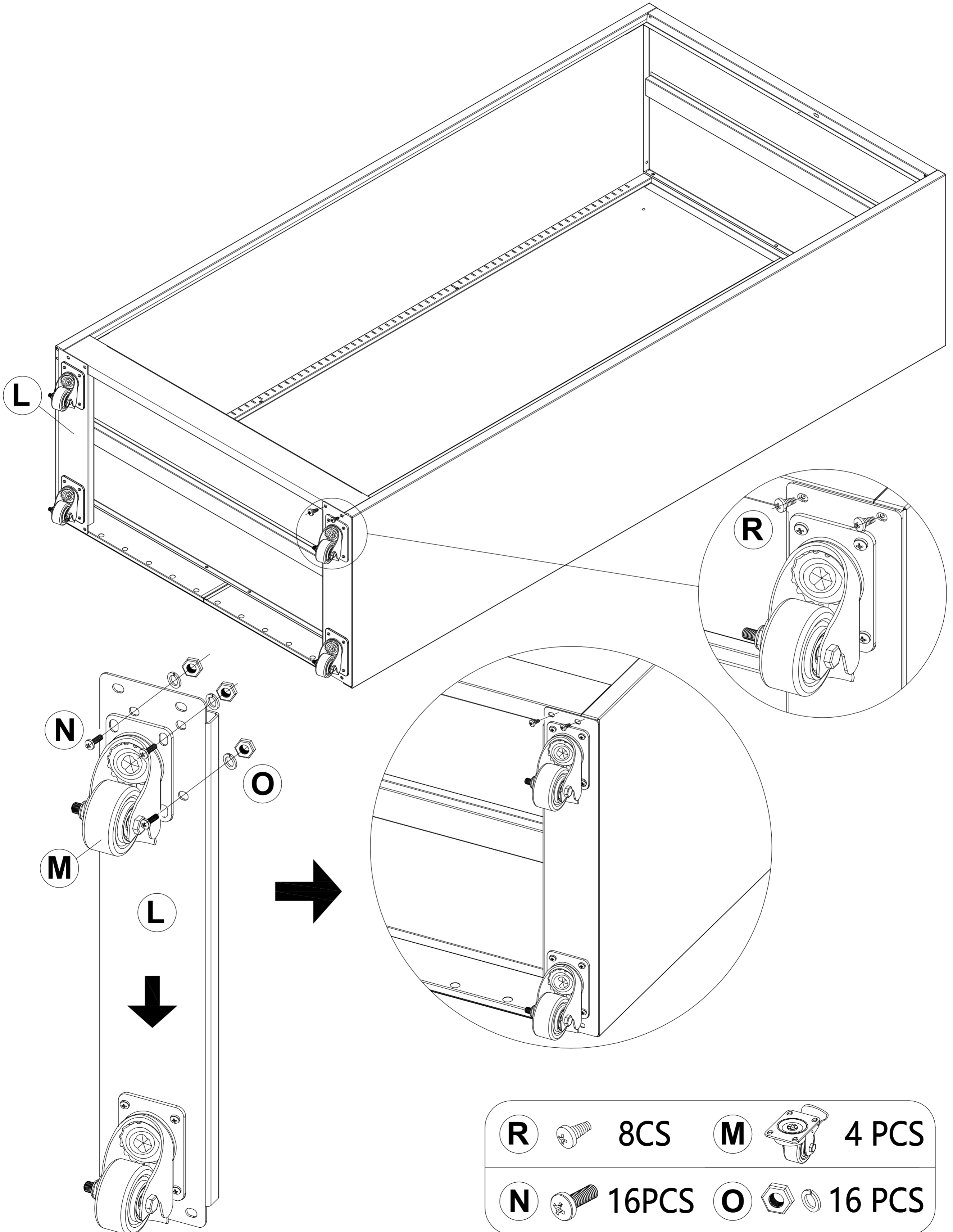


Connect C to G and D to G.
Connect A to G and B to G with 4 screws R.

R  11 PCS

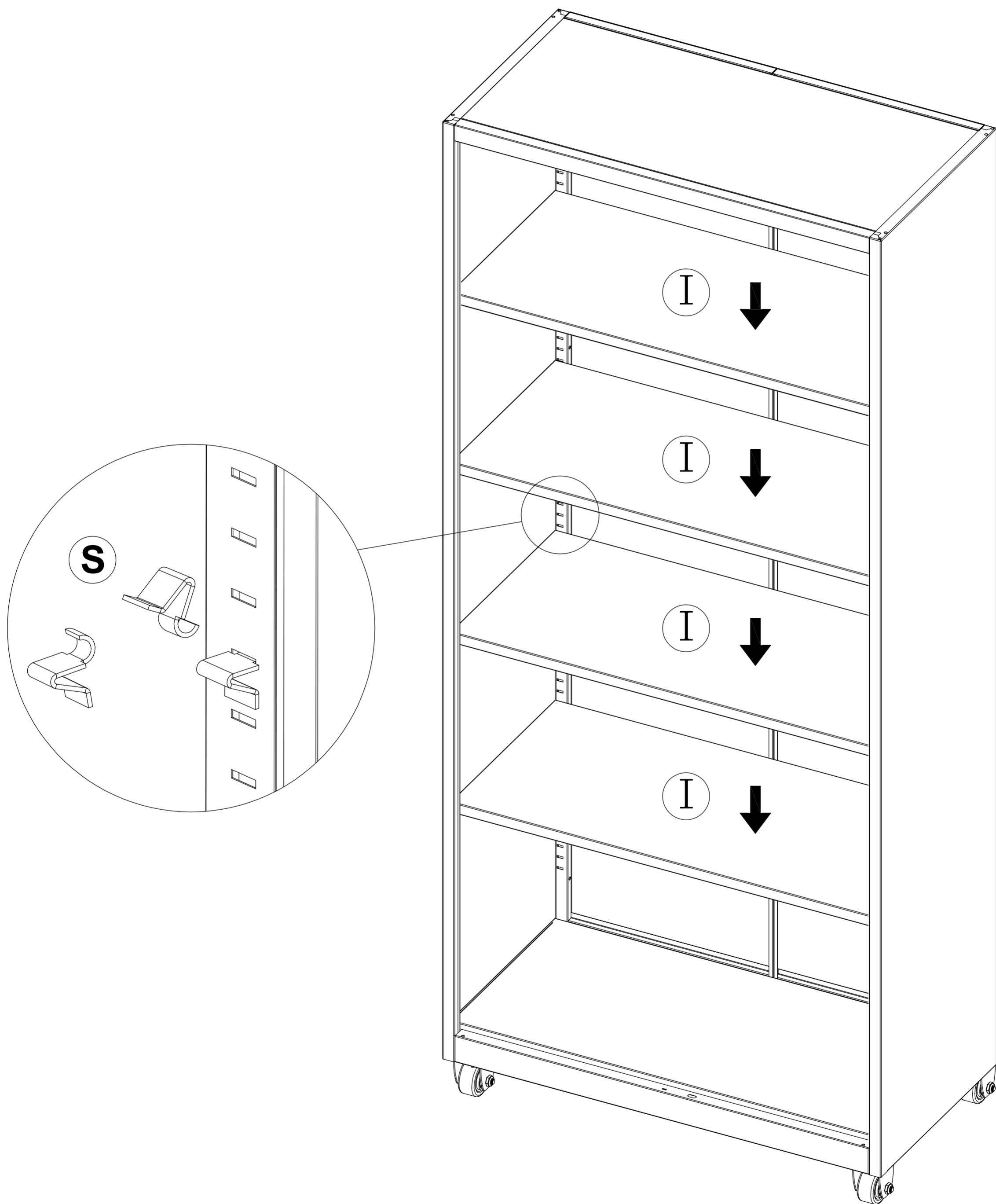
Step 5

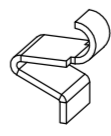
First fix the wheel M on the foot bracket J with screw N and nut O, and then connect the foot bracket with screw R.



Step 6

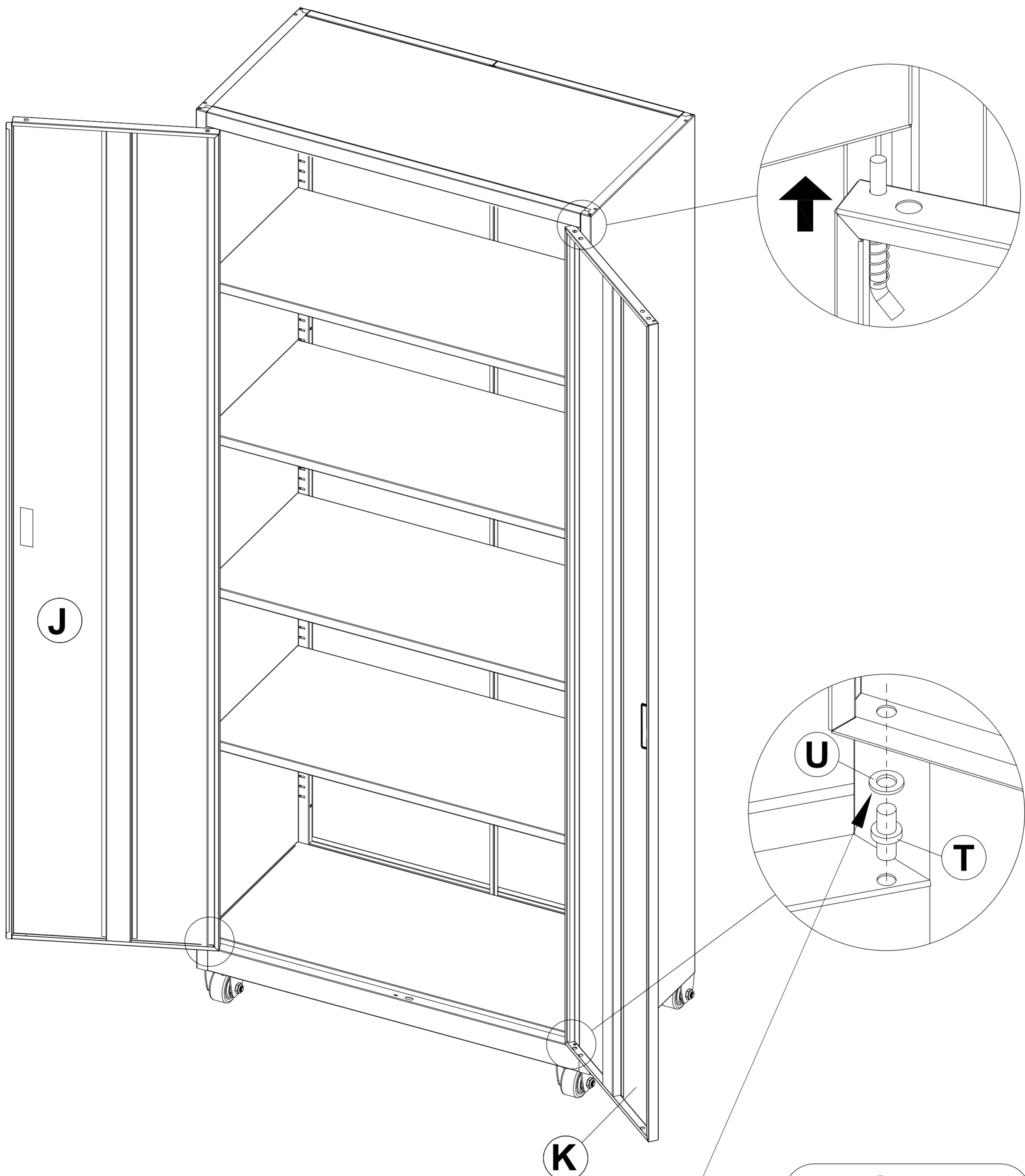
Add the shelf bracket S and the shelf I.



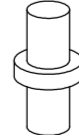

S  16 PCS

Step 7

Insert the metal post T and the washer U into the bottom hole on both sides then press the spring door shaft to enter the door shaft hole.

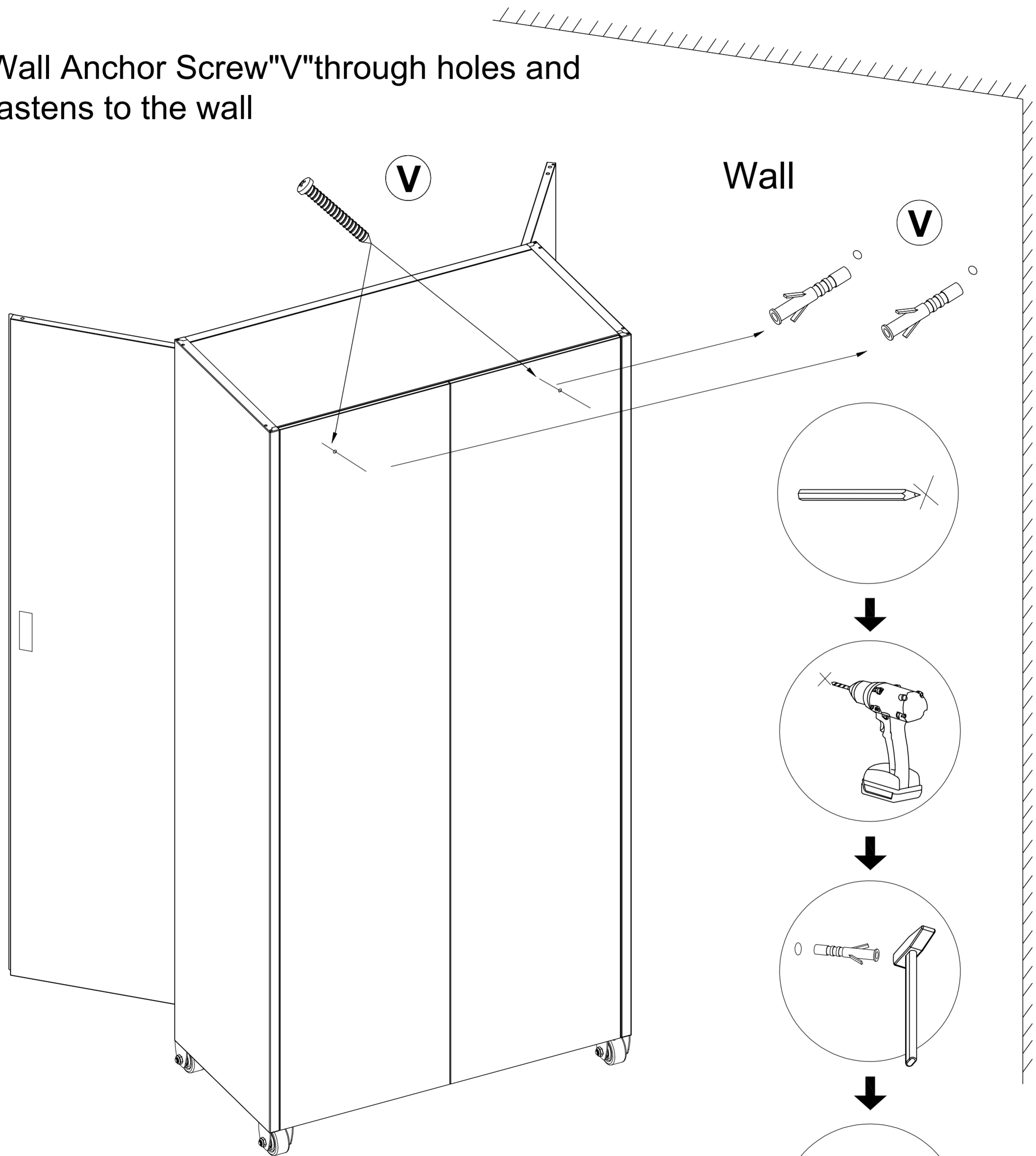


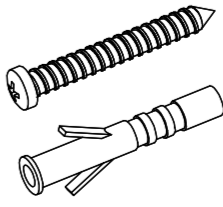
The number of washer used can be adjusted according to the actual situation.

- | | | |
|----------|---|-------|
| T |  | 2 PCS |
| U |  | 4 PCS |

Step 8

Wall Anchor Screw "V" through holes and fastens to the wall



V  2 PCS

Step 9

This Product is designed for stationary use only.
Do not use it with any type of mobile cabinet conversion device.

