

# Assembly Video

---

For a step by step guide on how to build our Olivia Corner Dressing Table With Storage visit our YouTube channel 'BirleaFurnitureLtd' or alternatively scan the below code on your smart phone.



---

## How to scan a QR code from an apple device

**Step One:** Open up the camera app

**Step Two:** Hold the device's camera up to the QR code

**Step Three:** Your Apple device will automatically recognise the QR code and provide you with a link to the video

## How to scan a QR code from an android device

**Step One:** Download the QR Code reader application from the Play Store.

**Step Two:** Open the QR code application and open the camera.

**Step Three:** Your Android device will automatically recognise the QR code and provide you with a link to the video

## How to scan a QR code from a Window's device

**Step One:** Open up the camera app

**Step Two:** Hold the device's camera up to the QR code

**Step Three:** Your Windows device will automatically recognise the QR code and provide you with a link to the video

## ASSEMBLY INSTRUCTIONS OLIVIA CORNER DRESSING TABLE WITH STORAGE

**IMPORTANT: READ THESE INSTRUCTIONS CAREFULLY BEFORE ASSEMBLING OR USING YOUR OLIVIA CORNER DRESSING TABLE WITH STORAGE**

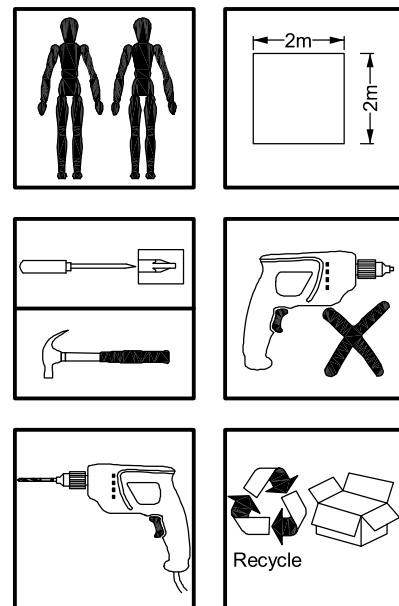
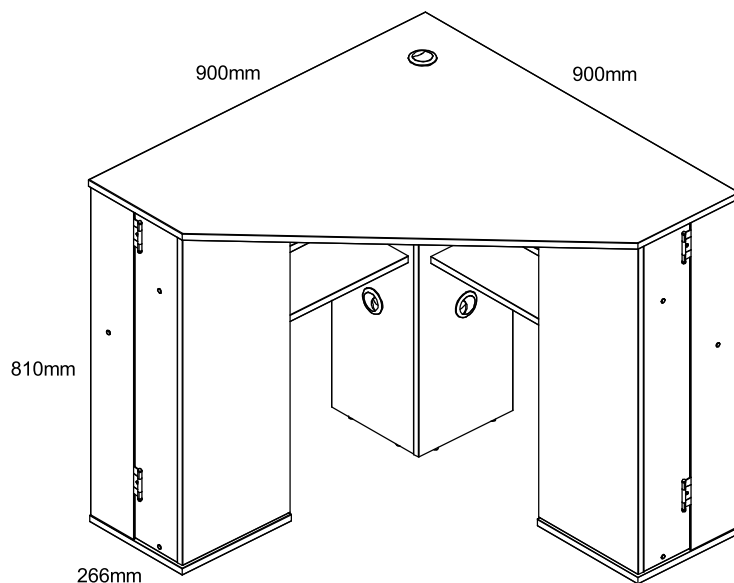
**PLEASE KEEP THESE INSTRUCTIONS FOR FUTURE REFERENCE.**

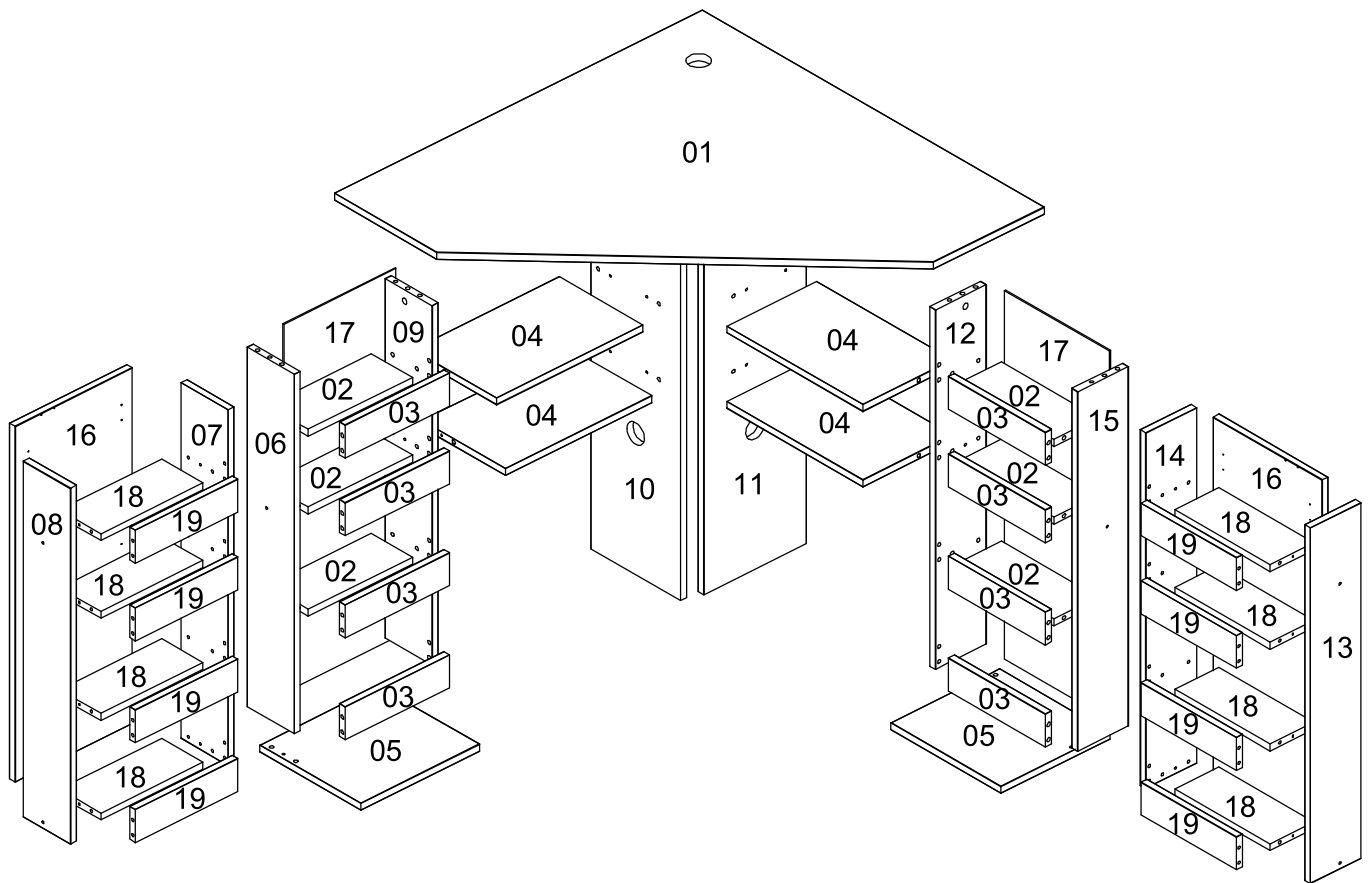
### **HEALTH & SAFETY:**

DO NOT use this item if any parts are missing, damaged or worn.  
DO NOT use this item unless all fixings are secured.  
Please keep small parts out of reach of children  
Always use on a level, even surface.

### **CARE & MAINTENANCE:**

Assemble in the room of use  
Assembly should be carried out with this item laying flat, not standing upright.  
Assemble on a soft, clean surface to prevent damages.  
To remove the printed numbers on the pieces, use the eraser provided  
Periodically check all screws & fixings to ensure they are secure.  
DO NOT push the item as this will damage the base.  
Always lift the item with two people to reposition.  
Keep any sharp objects away from the item.



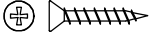

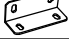
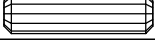

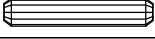
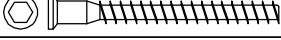


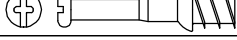


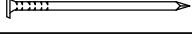




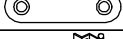
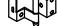




**Parts List**

Part	Description	Box	Qty
01	Top	1	1
02	Shelf Smaller Fixed Module	1	6
03	Tray Fixed Module	1	8
04	Shelf	1	4
05	Bottom Base	1	2
06	Left Side Fixed Module Left	1	1
07	Left Side Door Module Left	1	1
08	Right Side Door Module Left	1	1
09	Left Division	1	1
10	Left Coast	1	1
11	Right Coast	1	1
12	Right Division	1	1
13	Left Side Door Module Right	1	1
14	Right Side Door Module Right	1	1
15	Right Side Fixed Module Right	1	1
16	Front Door	1	2
17	Coast	1	2
18	Smaller Shelf Door Module	1	8
19	Tray Door Module	1	8

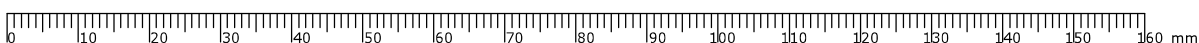
## Hardware List

Part	Description		Qty
A	5 x 60 mm Screw		2
A2	Small Plastic foot		4
A8	Flat head screw		8
B3	Bushing		2
B5	Metalic angle plates		14
E	8 x 30 mm Wooden Dowel		92
E9	Strap		2
F1	6 x 30 mm Wooden Dowel		64
G	Structural Screw		28
H	Allen Key		2
I	Structural Screw Cover		16
J	Simple Minifix Screw		8
L	Cam Lock		8
L4	Plastic Foot		8
N	10 x 10 mm Tack		40
P5	3,5 x 14 mm Screw		32
P6	Pass Wires		3
S	3,5 x 14 mm Screw		62
V15	Magnetic Closure		2
V16	Metalic Plate		2
Y2	Metal Hinge		4

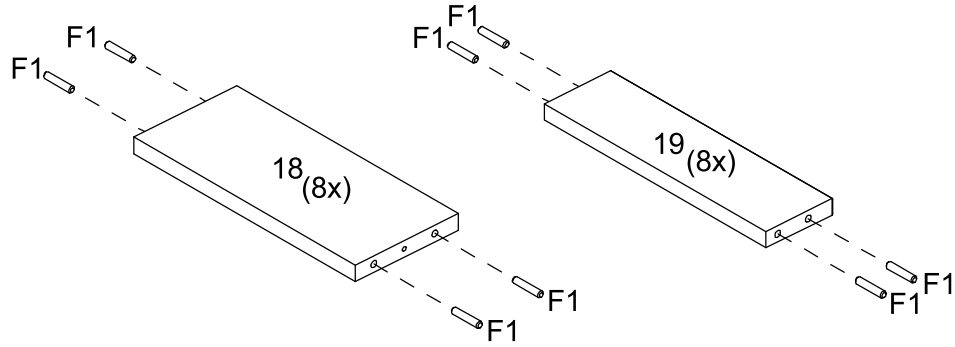
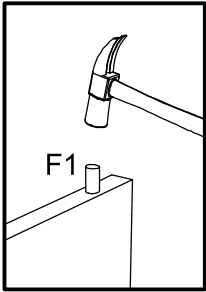
**\*\* You will need a small mallet and a screwdriver for assembly.**

**\*\* Some screws and wooden dowel may remain.**

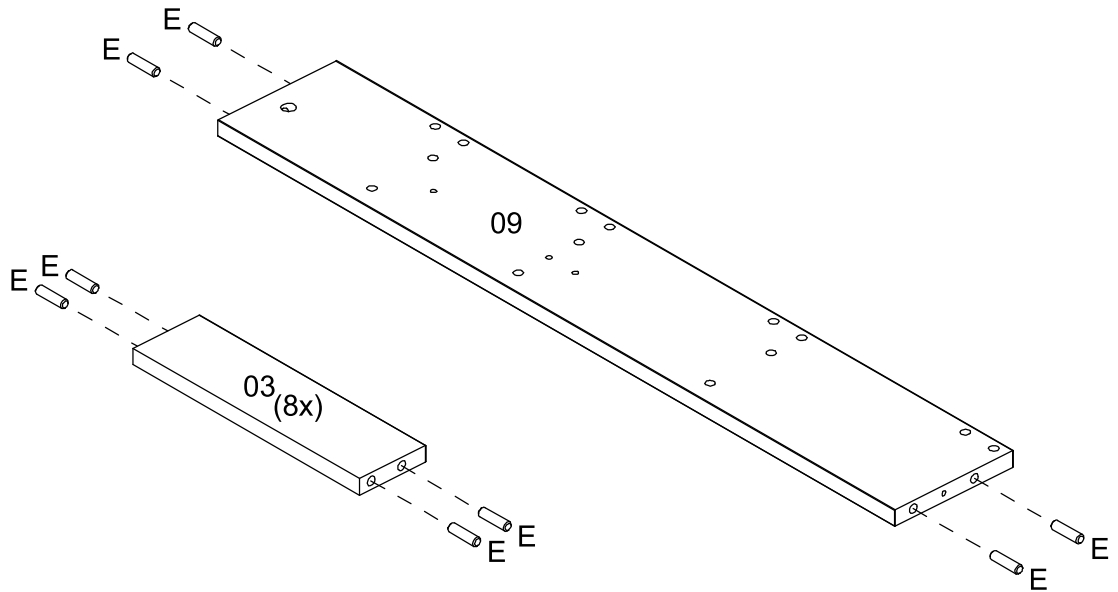
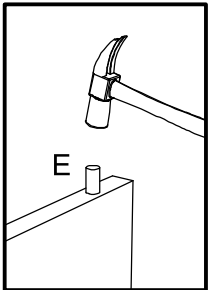
**\*\* Wall plug and screw is supplied to attach strap to the wall.**



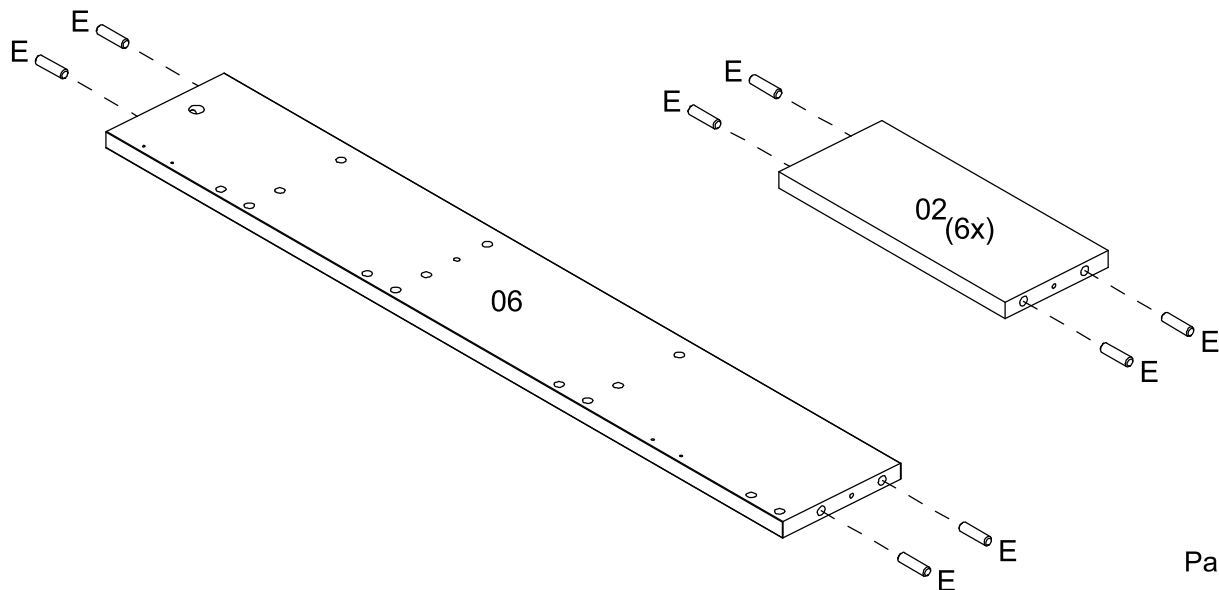
**Step 1:** Insert hardware part F1 using small mallet (not provided).  
**DO NOT use any power tools as this may damage the frame and will invalidate any claim.**



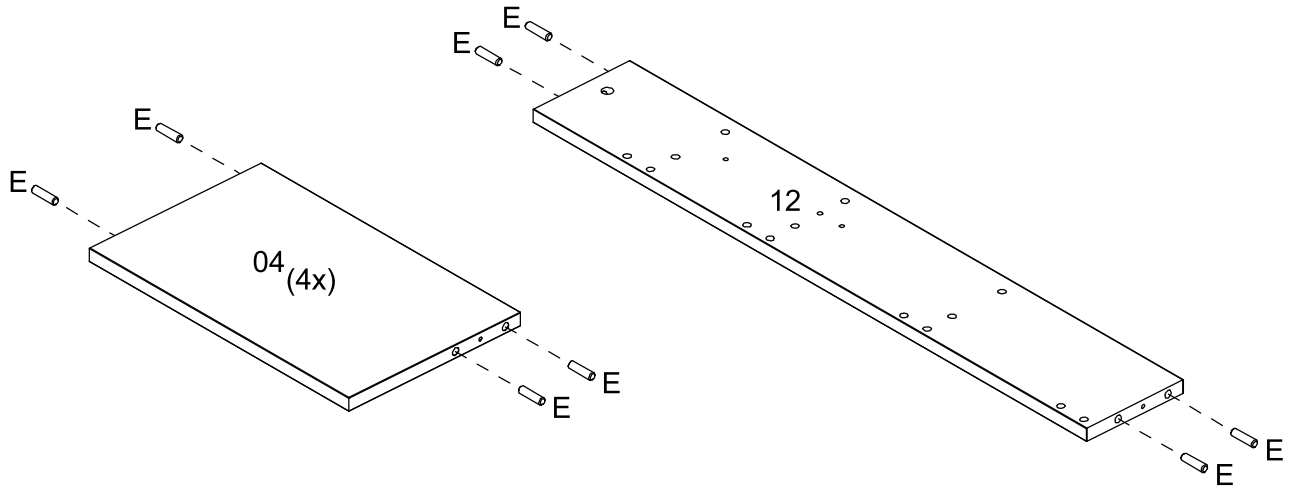
**Step 2:** Insert hardware part E using small mallet (not provided).  
**DO NOT use any power tools as this may damage the frame and will invalidate any claim.**



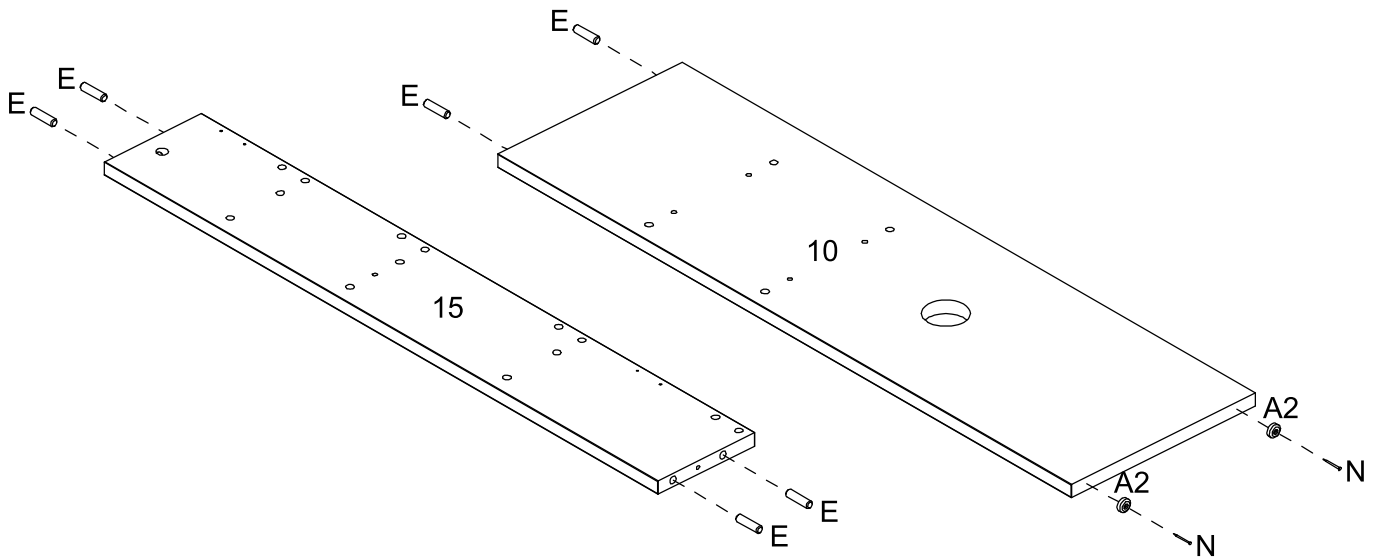
**Step 3:** Insert hardware part E using small mallet (not provided).  
**DO NOT use any power tools as this may damage the frame and will invalidate any claim.**



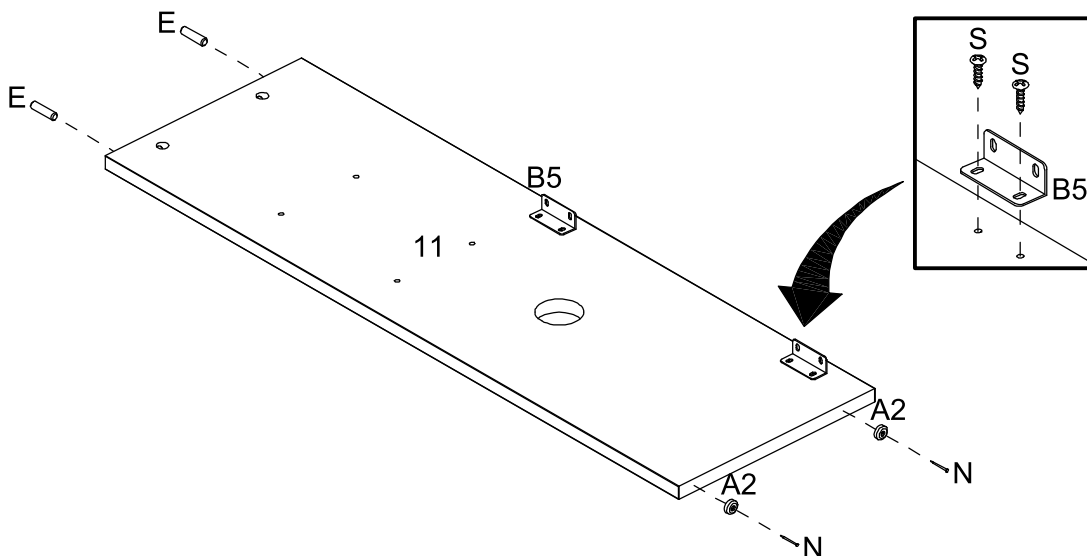
**Step 4:** Insert hardware part E using small mallet (not provided).  
**DO NOT use any power tools as this may damage the frame and will invalidate any claim.**



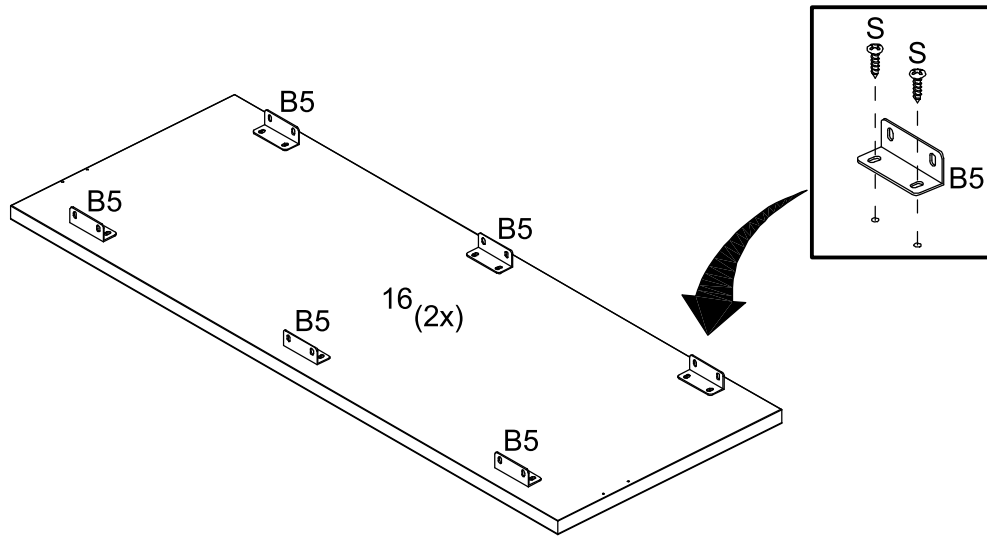
**Step 5:** Insert hardware part E using small mallet (not provided). Insert hardware part A2 using hardware part N and small mallet (not provided).  
**DO NOT use any power tools as this may damage the frame and will invalidate any claim.**



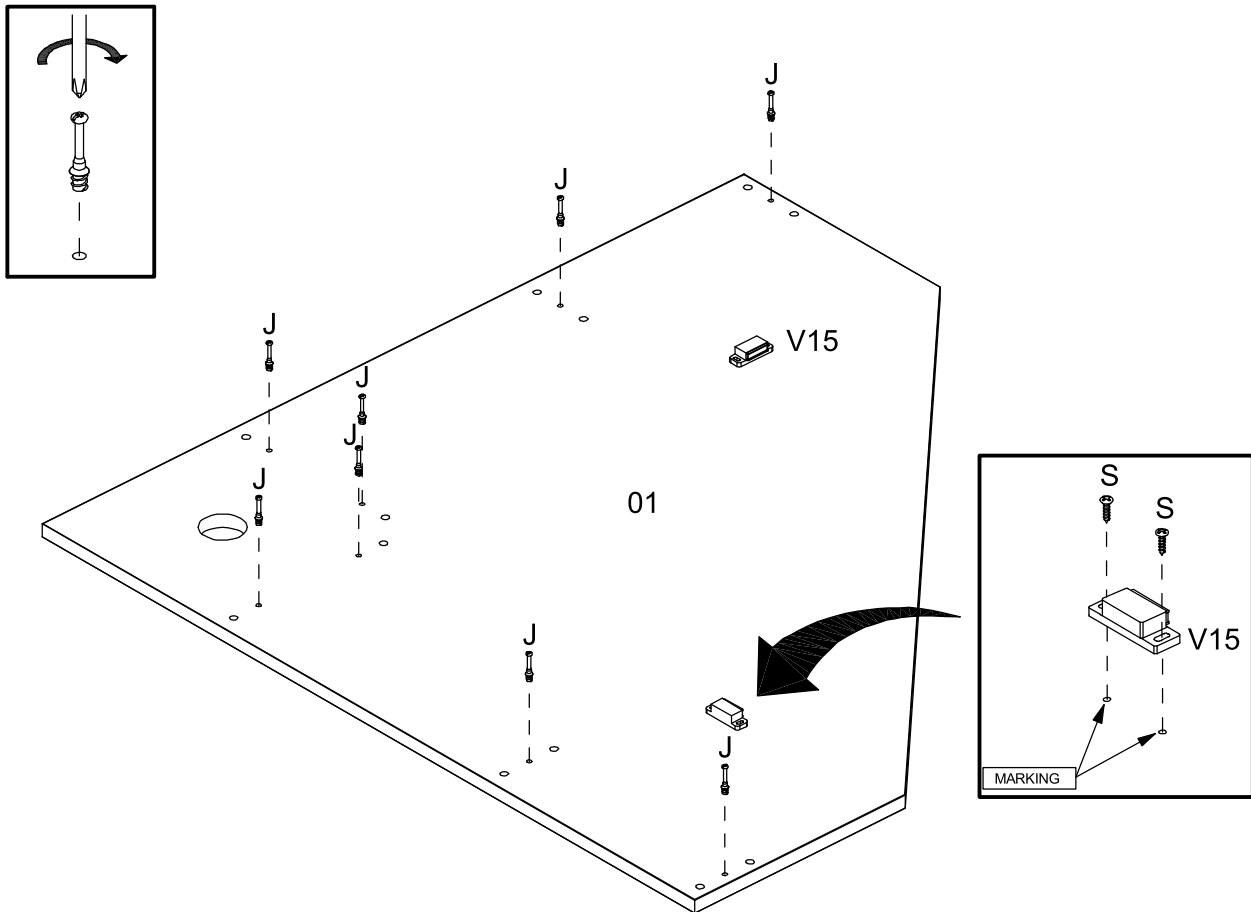
**Step 6:** Insert hardware part E using small mallet (not provided). Insert hardware part A2 using hardware part N and small mallet (not provided). Insert hardware part B5 using hardware part S and screwdriver (not provided).  
**DO NOT use any power tools as this may damage the frame and will invalidate any claim.**



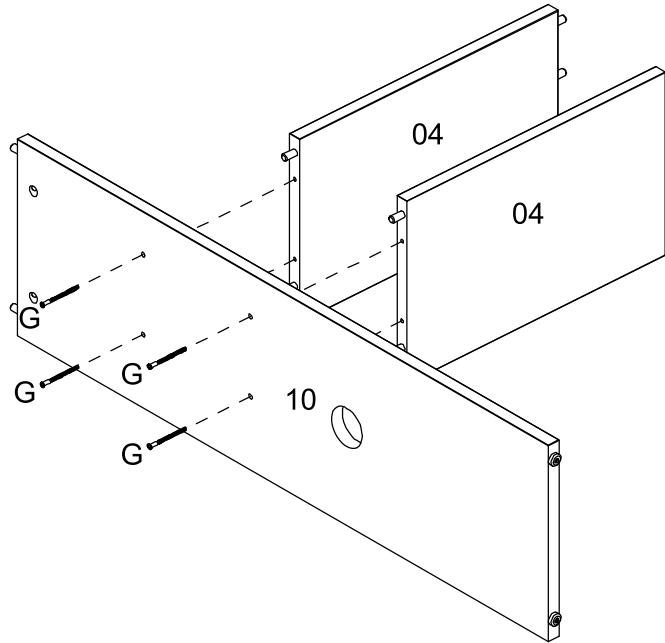
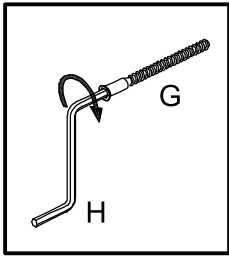
**Step 7:** Insert hardware part B5 using hardware part S and screwdriver (not provided).  
**DO NOT** use any power tools as this may damage the frame and will invalidate any claim.



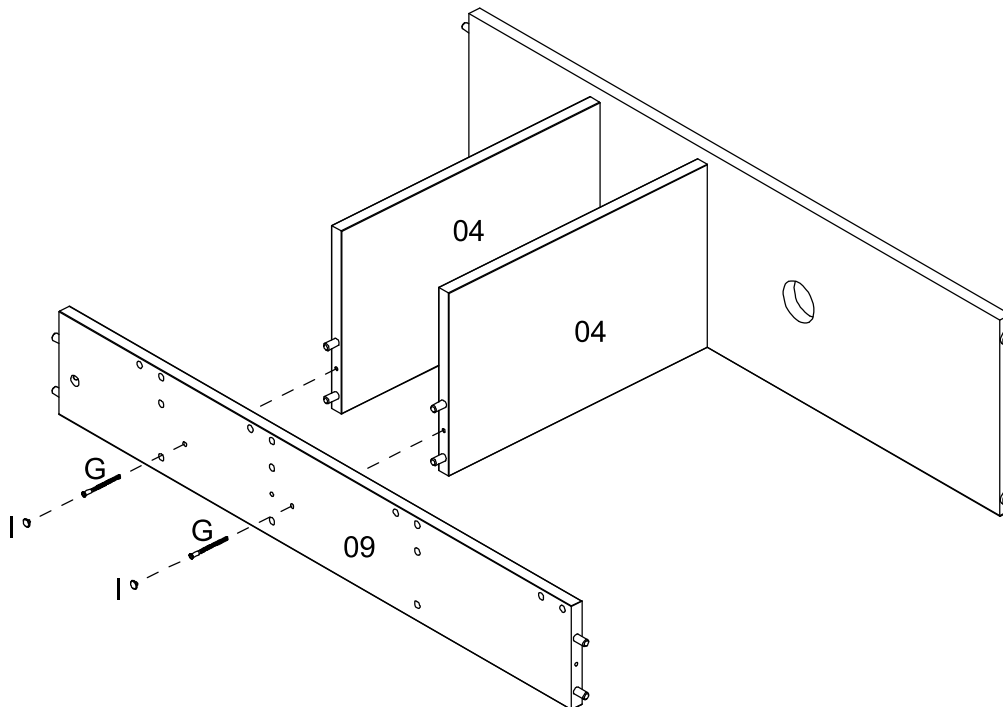
**Step 8:** Insert hardware part J with a screwdriver (not provided). Insert hardware part V15 using hardware part S and screwdriver (not provided).  
**DO NOT** use any power tools as this may damage the frame and will invalidate any claim.



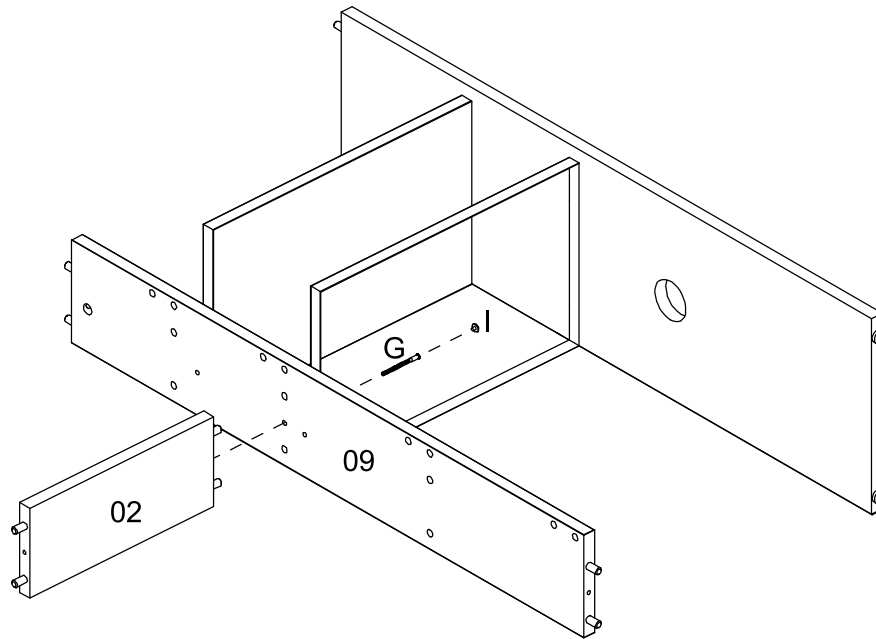
**Step 9:** Attach the shelf (04) to the left coast (10) using hardware part G and H.  
**DO NOT use any power tools as this may damage the frame and will invalidate any claim.**



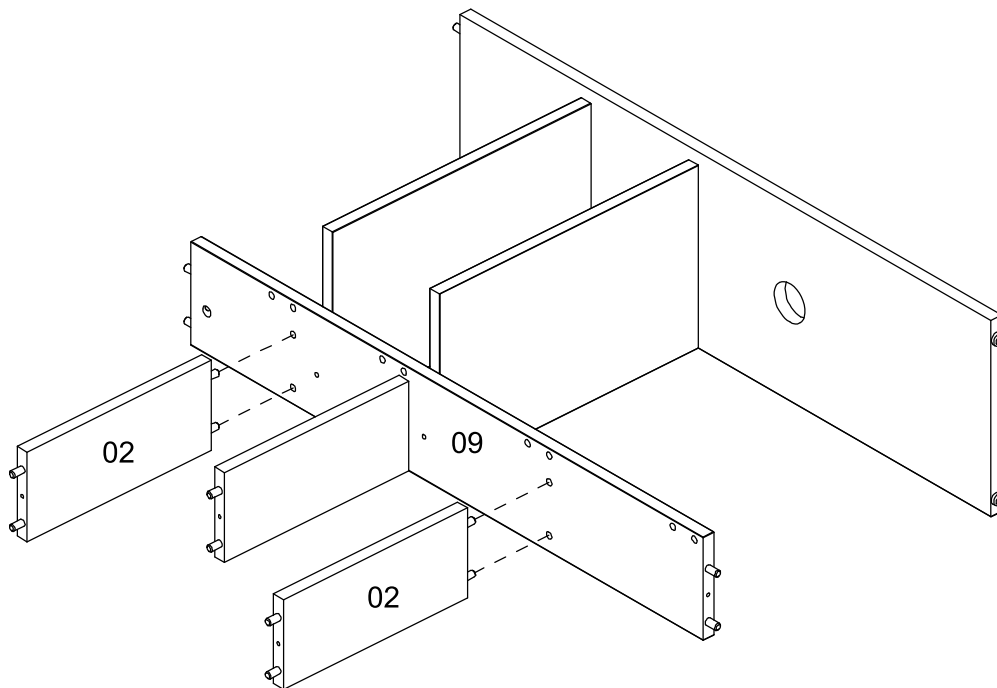
**Step 10:** Join the left division (09) to the assembled section using hardware part G,H and I.  
**DO NOT use any power tools as this may damage the frame and will invalidate any claim.**



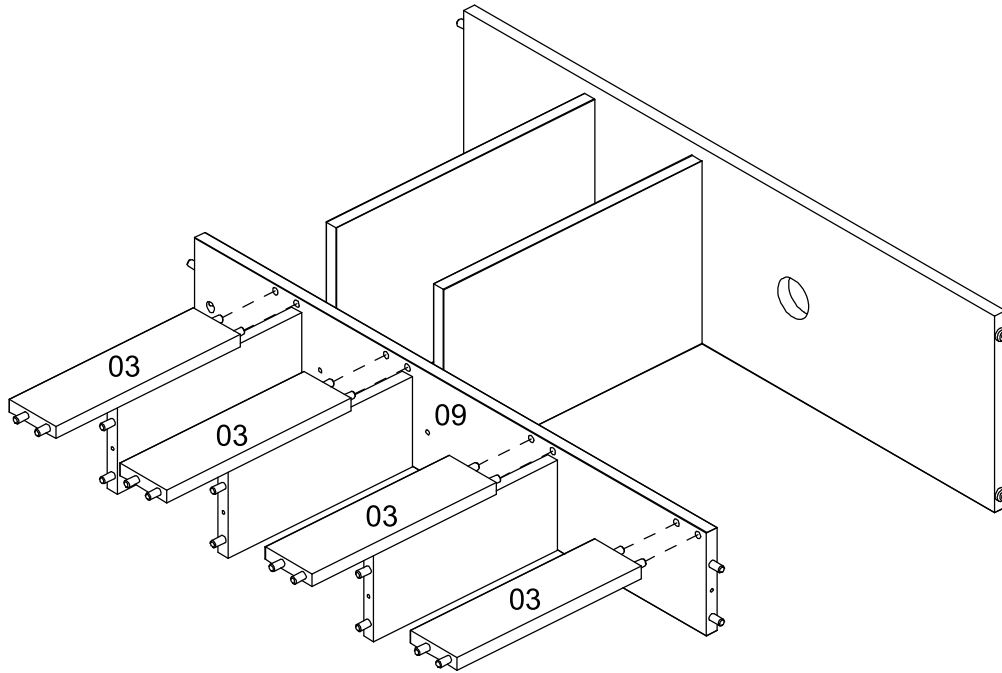
**Step 11:** Join the shelf smaller fixed module (02) to the assembled section using hardware part G,H and I.  
**DO NOT use any power tools as this may damage the frame and will invalidate any claim.**



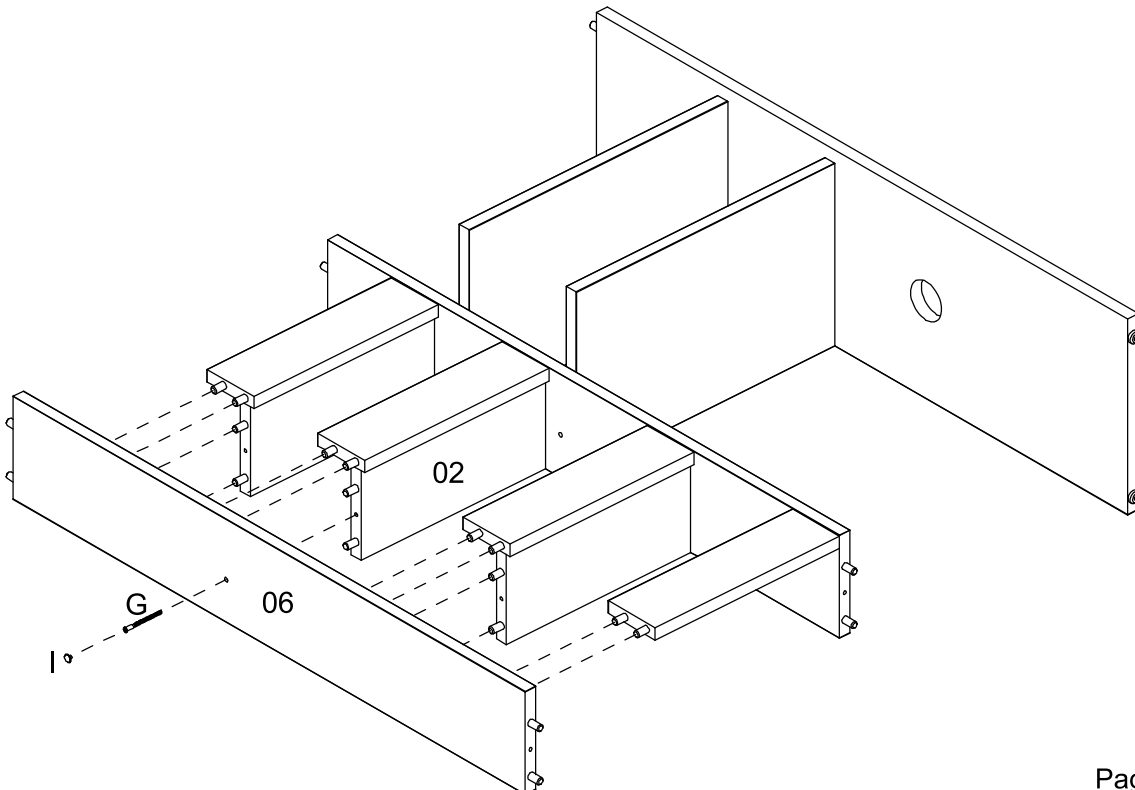
**Step 12:** Join the shelf smaller fixed module (02) to the assembled section.  
**DO NOT use any power tools as this may damage the frame and will invalidate any claim.**



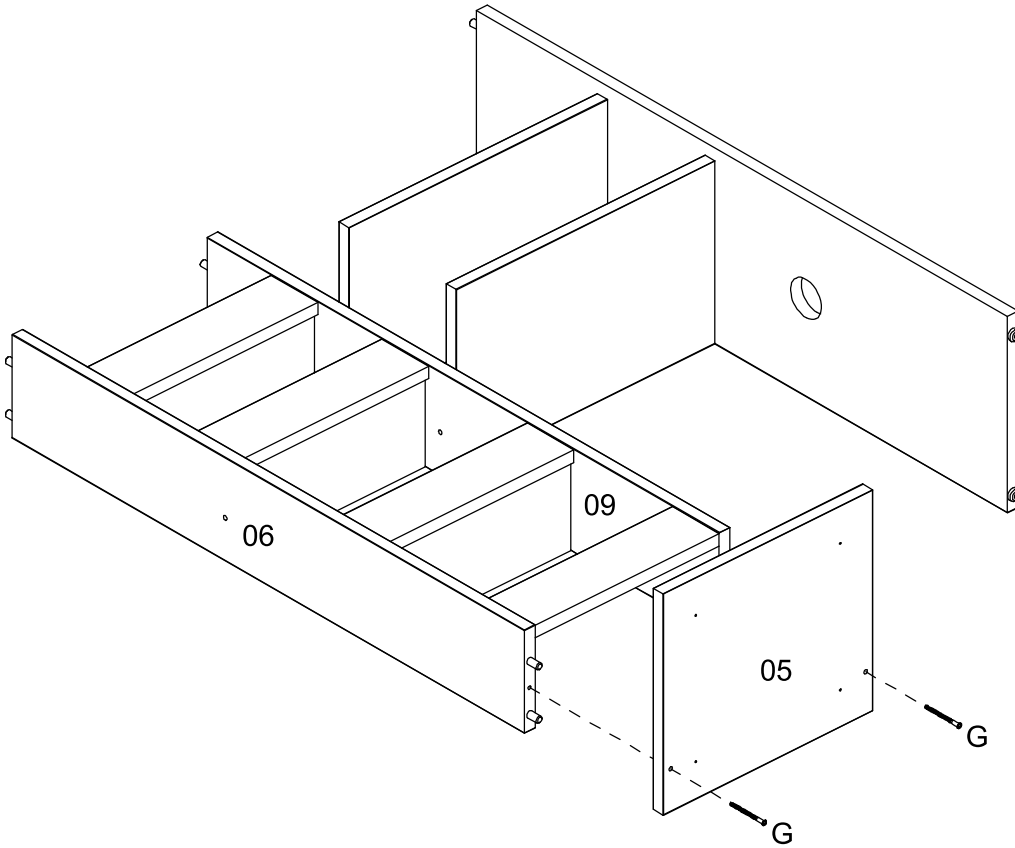
**Step 13:** Join the tray fixed module (03) to the assembled section.  
**DO NOT use any power tools as this may damage the frame and will invalidate any claim.**



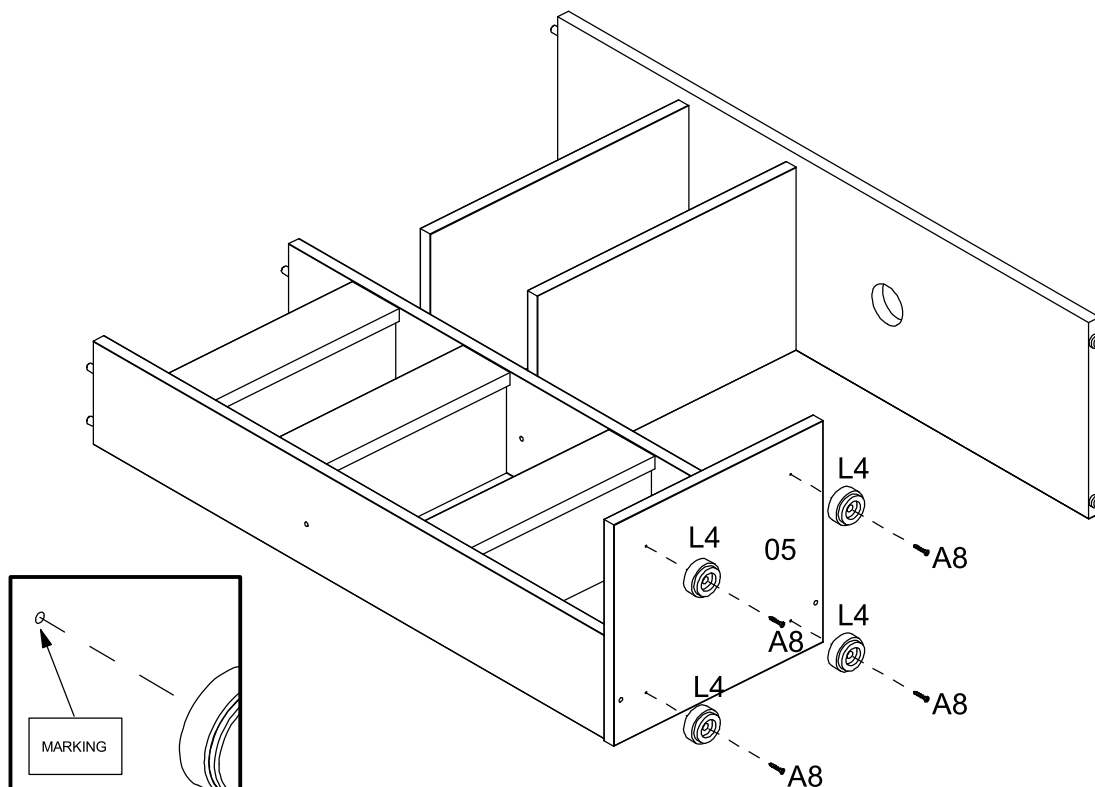
**Step 14:** Join the left side fixed module left (06) to the assembled section using hardware part G,H and I.  
**DO NOT use any power tools as this may damage the frame and will invalidate any claim.**



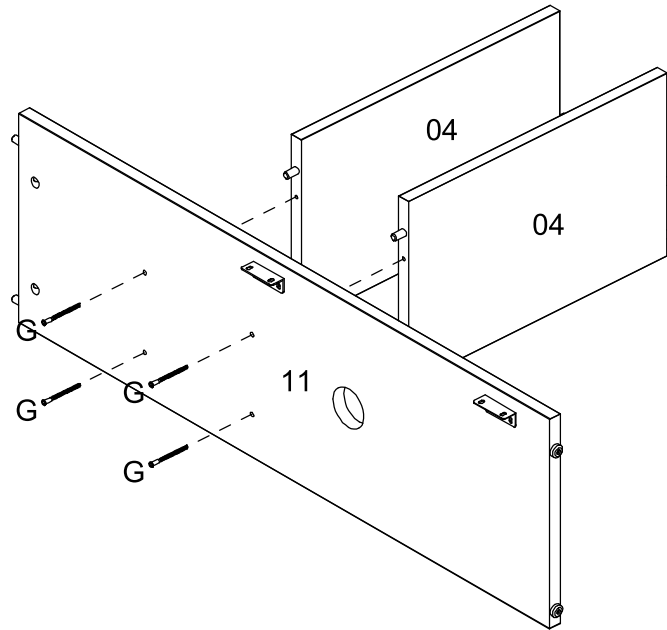
**Step 15:** Join the bottom base (05) to the assembled section using hardware part G and H.  
**DO NOT** use any power tools as this may damage the frame and will invalidate any claim.



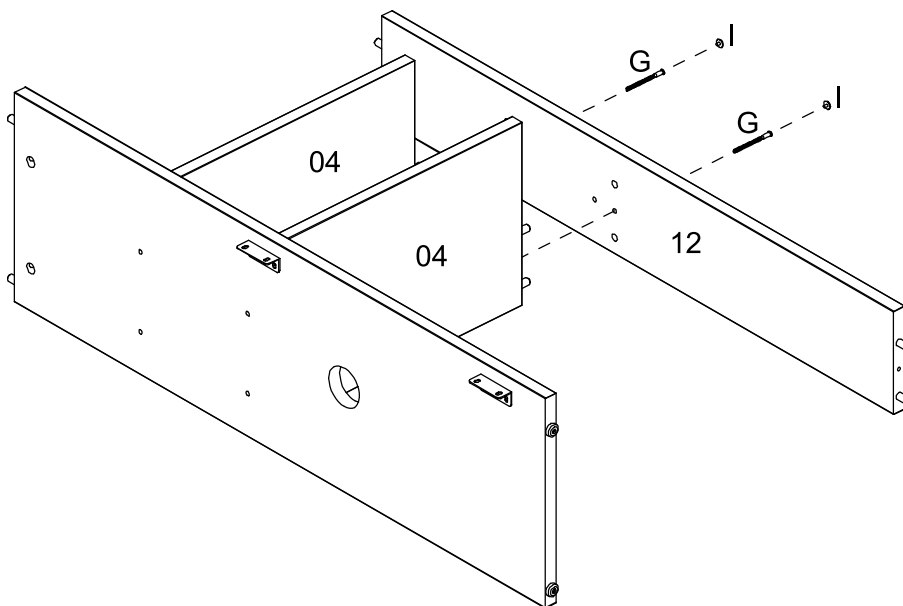
**Step 16:** Insert hardware part L4 using hardware part A8 with a screwdriver (not provided).  
**DO NOT** use any power tools as this may damage the frame and will invalidate any claim.



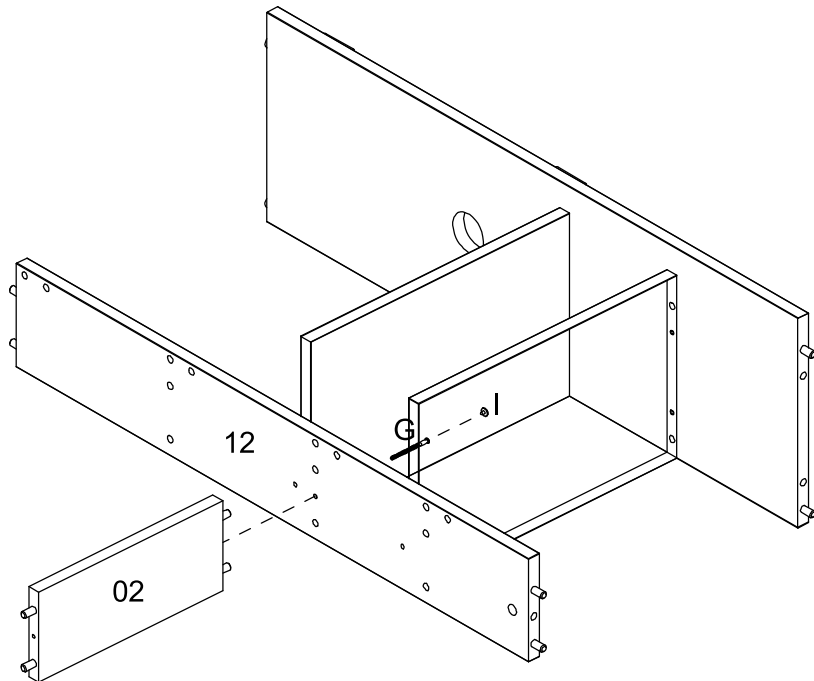
**Step 17:** Attach the shelf (04) to the right coast (11) using hardware part G and H.  
**DO NOT use any power tools as this may damage the frame and will invalidate any claim.**



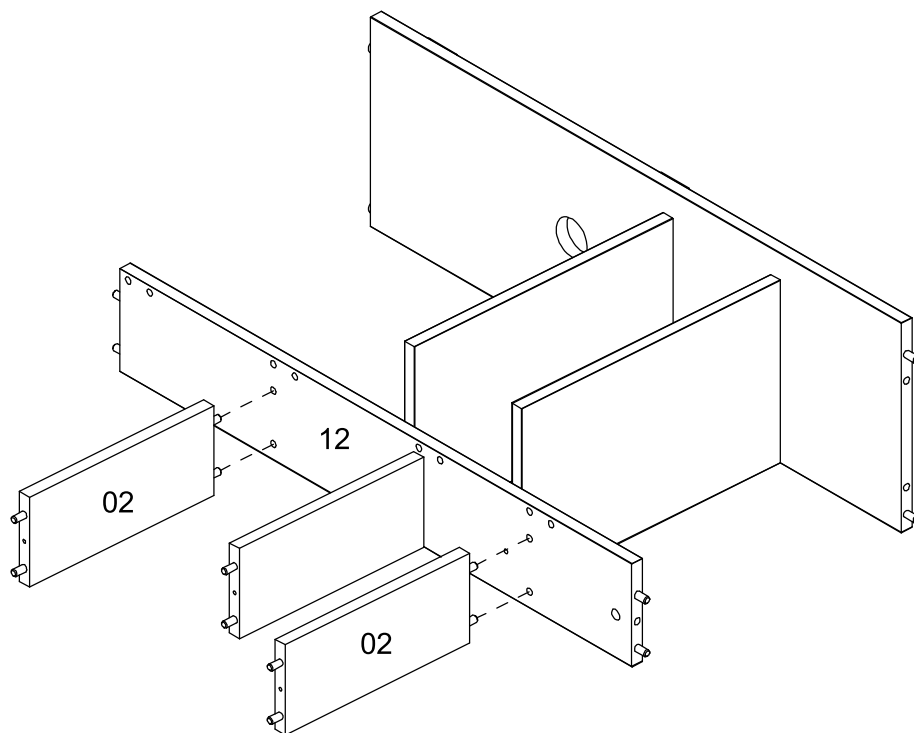
**Step 18:** Join the right division (12) to the assembled section using hardware part G,H and I.  
**DO NOT use any power tools as this may damage the frame and will invalidate any claim.**



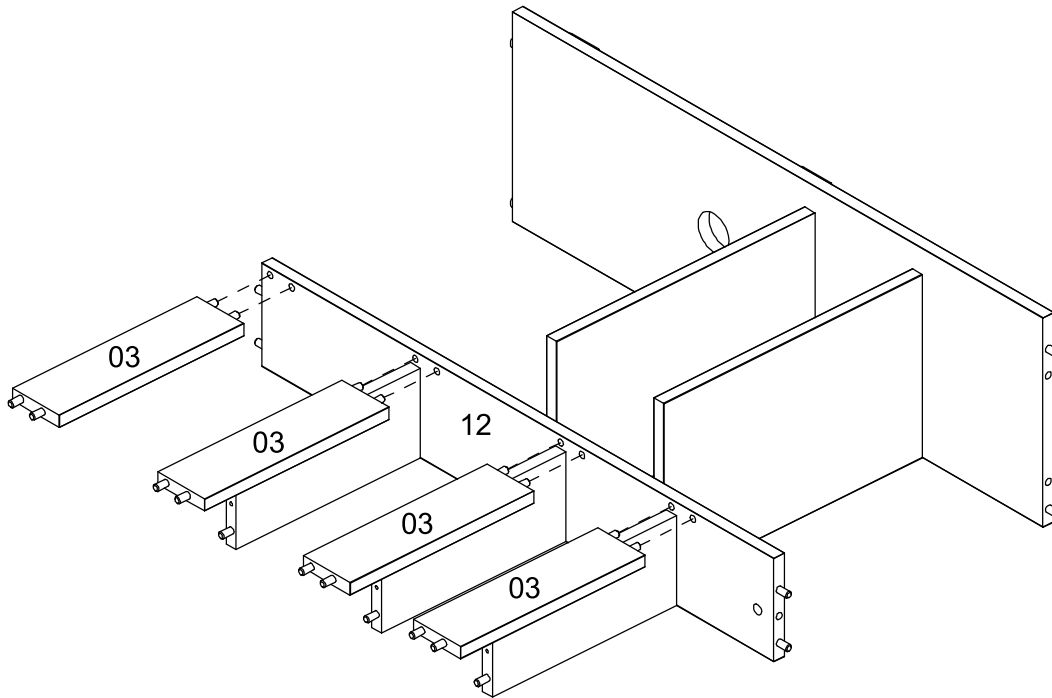
**Step 19:** Join the shelf smaller fixed module (02) to the assembled section using hardware part G,H and I.  
**DO NOT use any power tools as this may damage the frame and will invalidate any claim.**



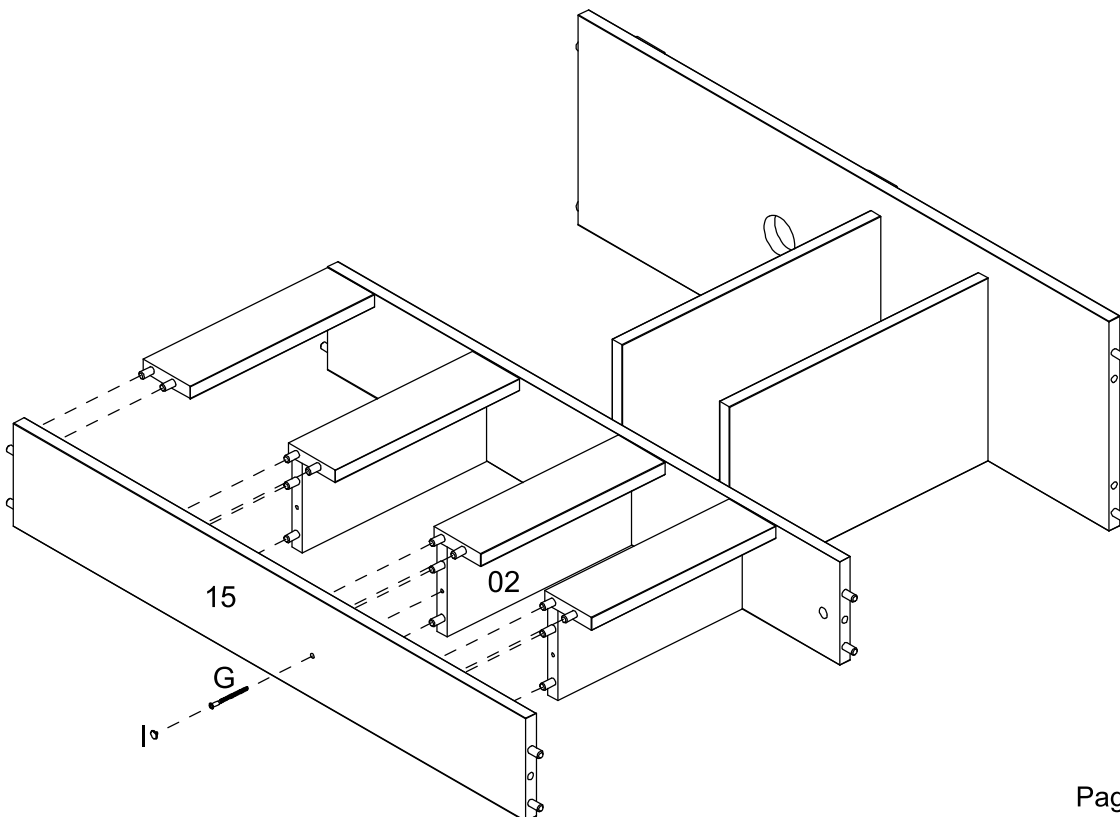
**Step 20:** Join the shelf smaller fixed module (02) to the assembled section.  
**DO NOT use any power tools as this may damage the frame and will invalidate any claim.**



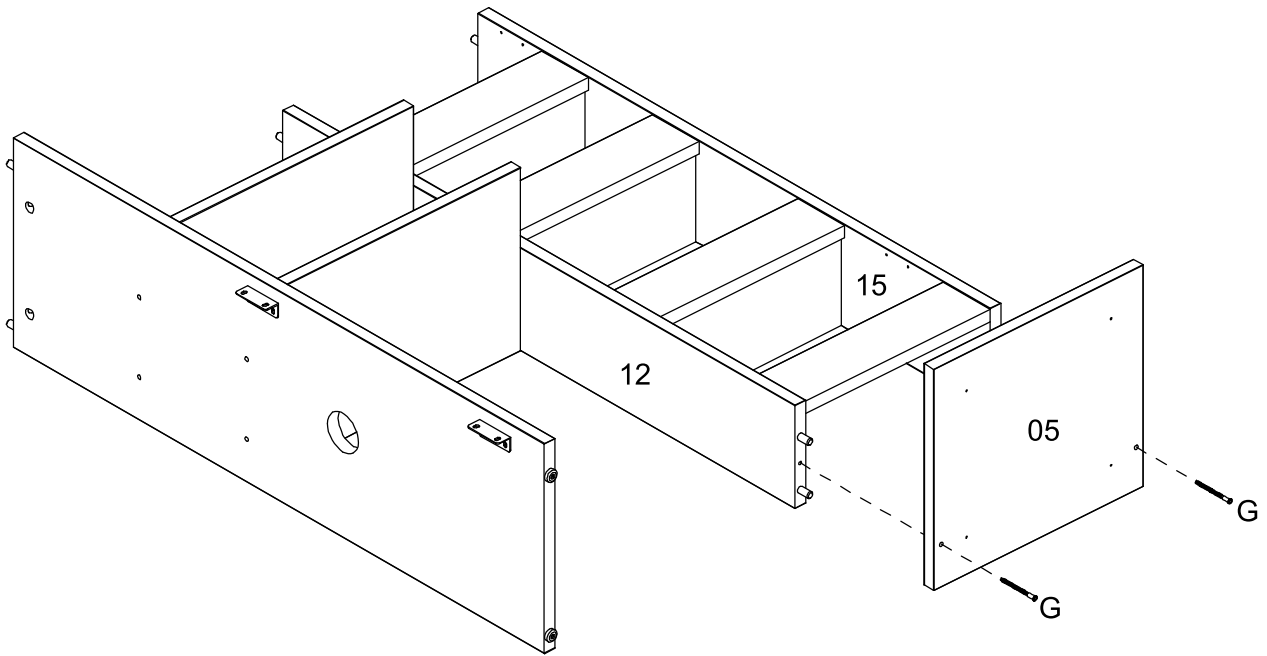
**Step 21:** Join the tray fixed module (03) to the assembled section.  
**DO NOT use any power tools as this may damage the frame and will invalidate any claim.**



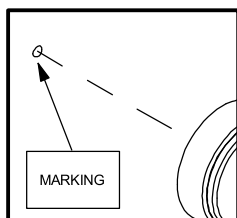
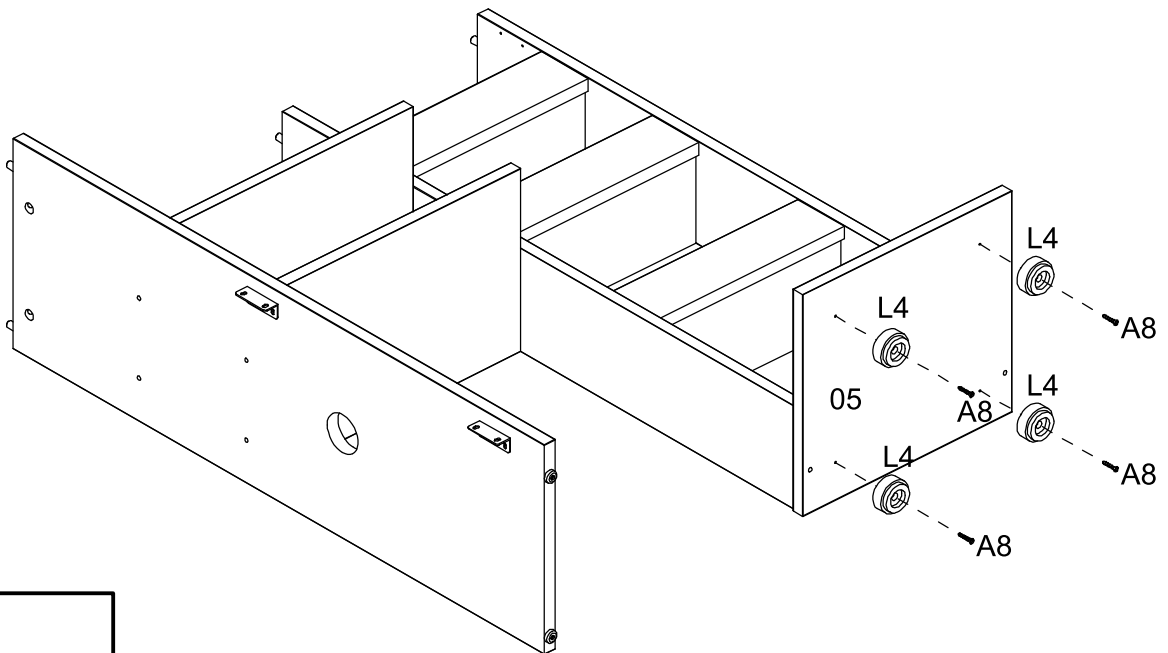
**Step 22:** Join the right side fixed module right (15) to the assembled section using hardware part G,H and I.  
**DO NOT use any power tools as this may damage the frame and will invalidate any claim.**



**Step 23:** Join the bottom base (05) to the assembled section using hardware part G and H.  
**DO NOT use any power tools as this may damage the frame and will invalidate any claim.**

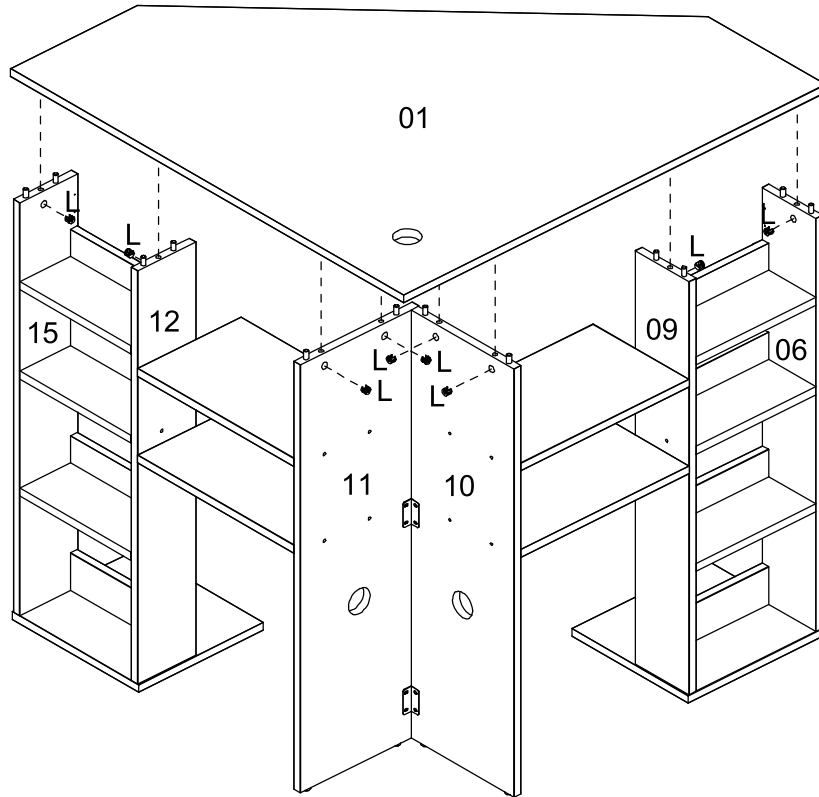
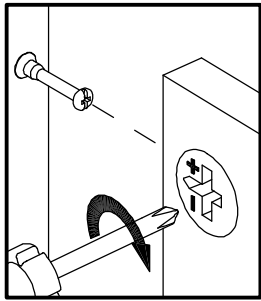


**Step 24:** Insert hardware part L4 using hardware part A8 with a screwdriver (not provided).  
**DO NOT use any power tools as this may damage the frame and will invalidate any claim.**

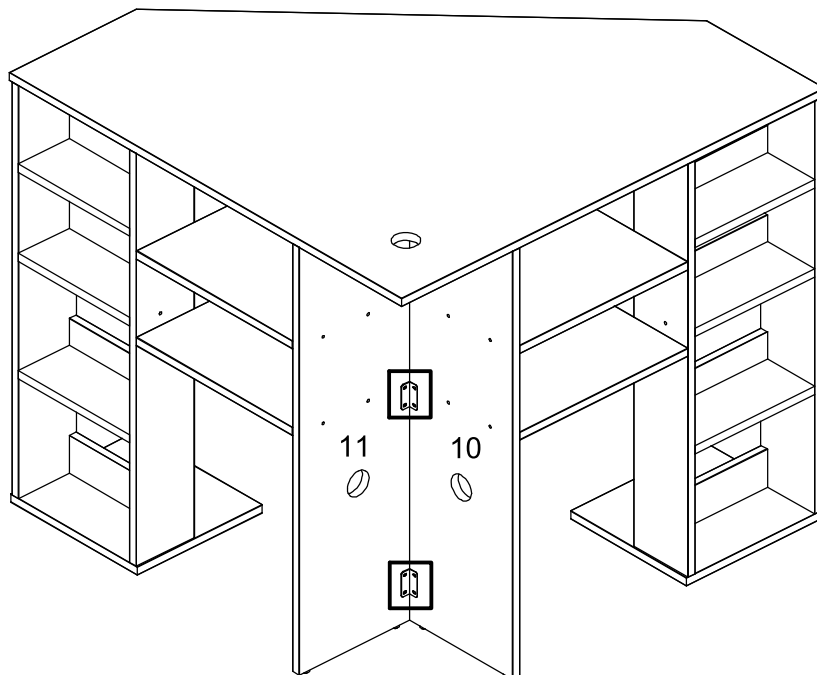
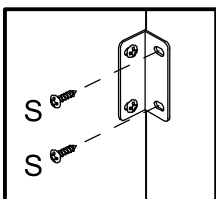


**Step 25:** Join the top (01) to the assembled section using hardware part L with a screwdriver (not provided)

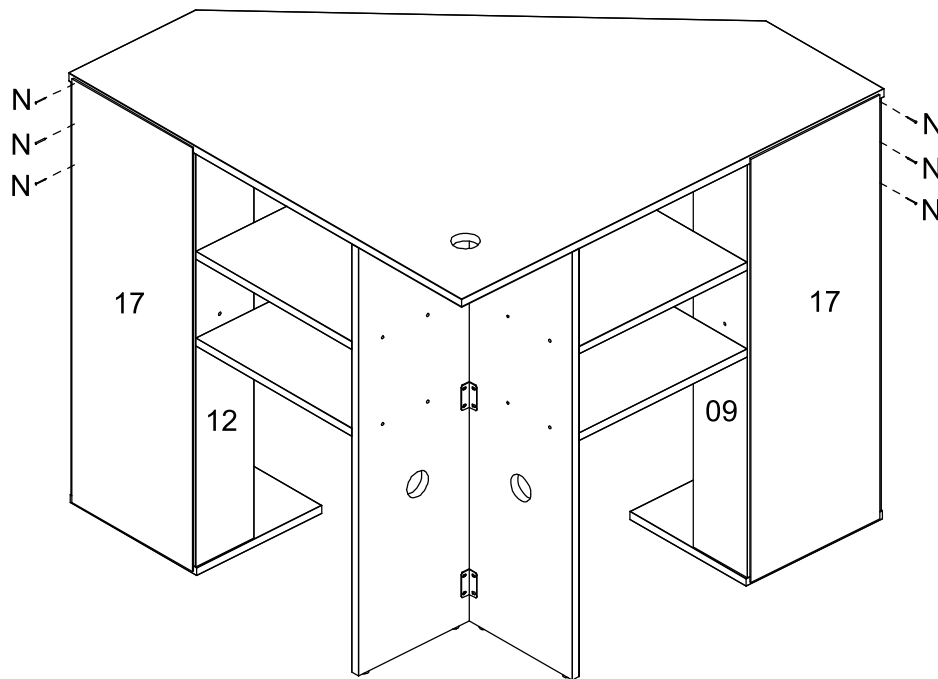
**DO NOT use any power tools as this may damage the frame and will invalidate any claim.**



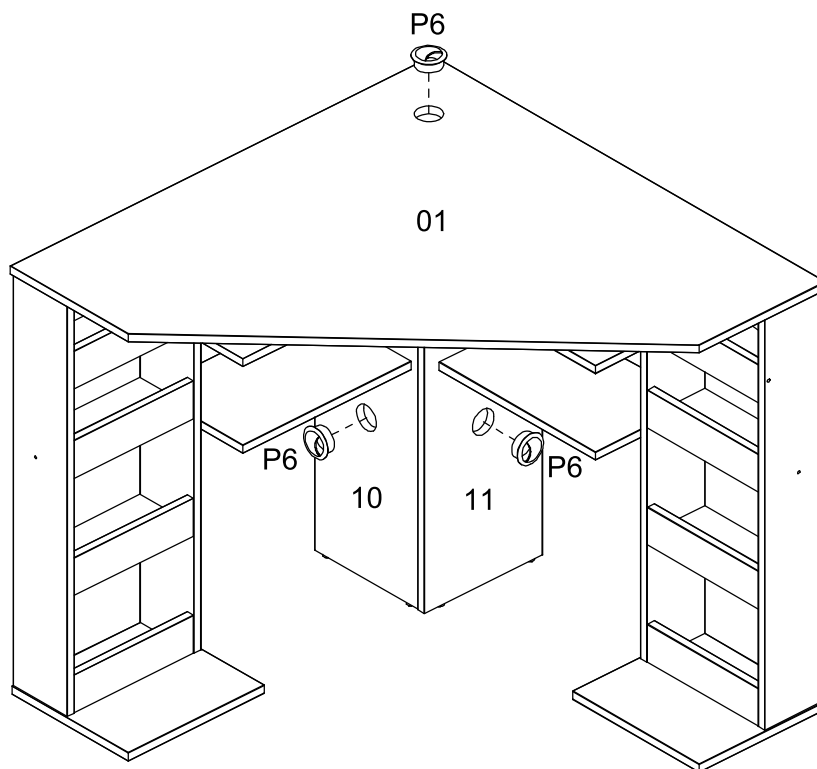
**Step 26:** Join the left coast (10) to the right coast (11) using hardware part S with a screwdriver (not provided).  
**DO NOT use any power tools as this may damage the frame and will invalidate any claim.**



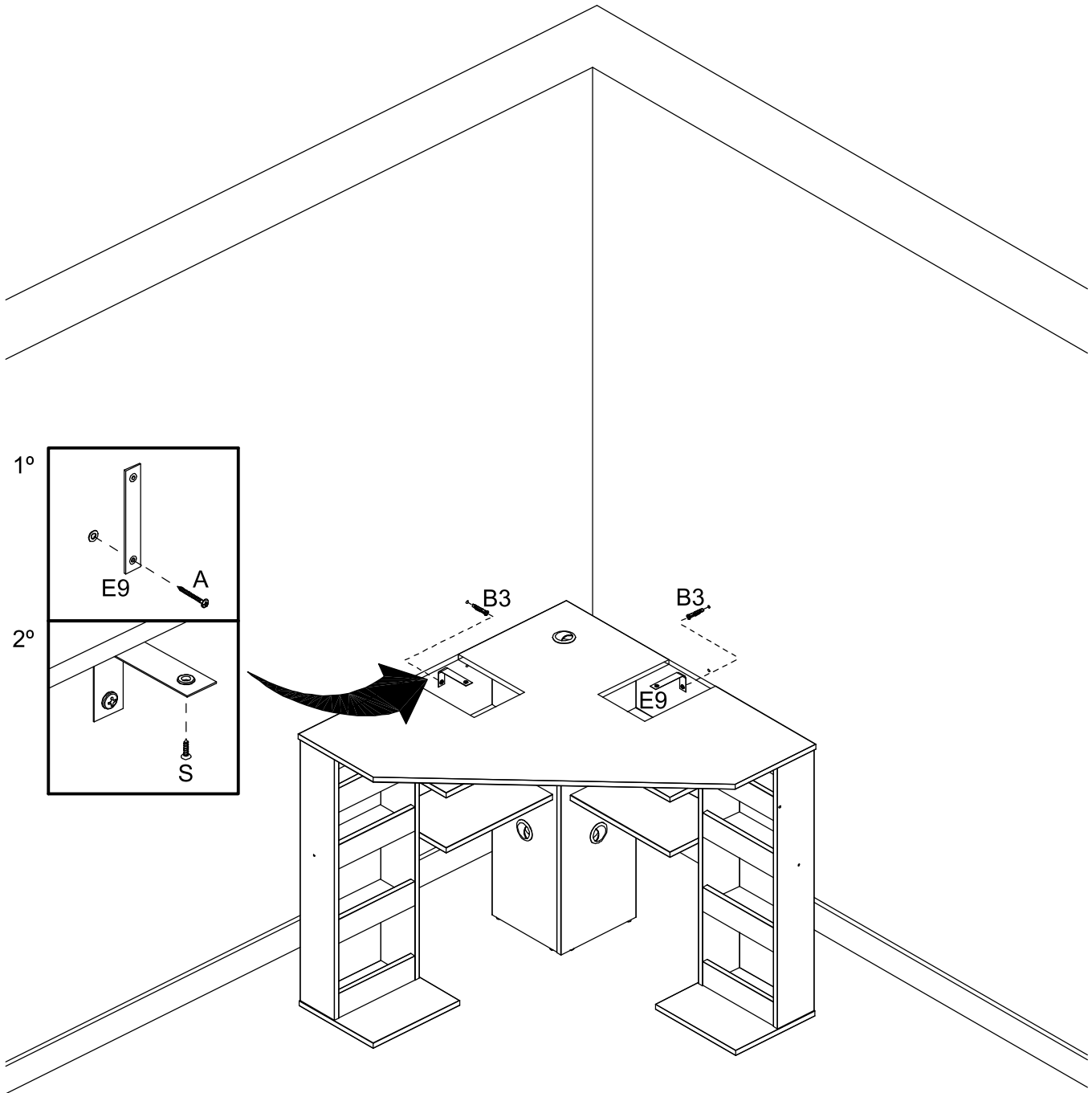
**Step 27:** Attach the coast (17) using the hardware part N and a small mallet (not provided).  
**DO NOT use any power tools as this may damage the frame and will invalidate any claim.**



**Step 28:** Insert hardware part P6.  
**DO NOT use any power tools as this may damage the frame and will invalidate any claim.**

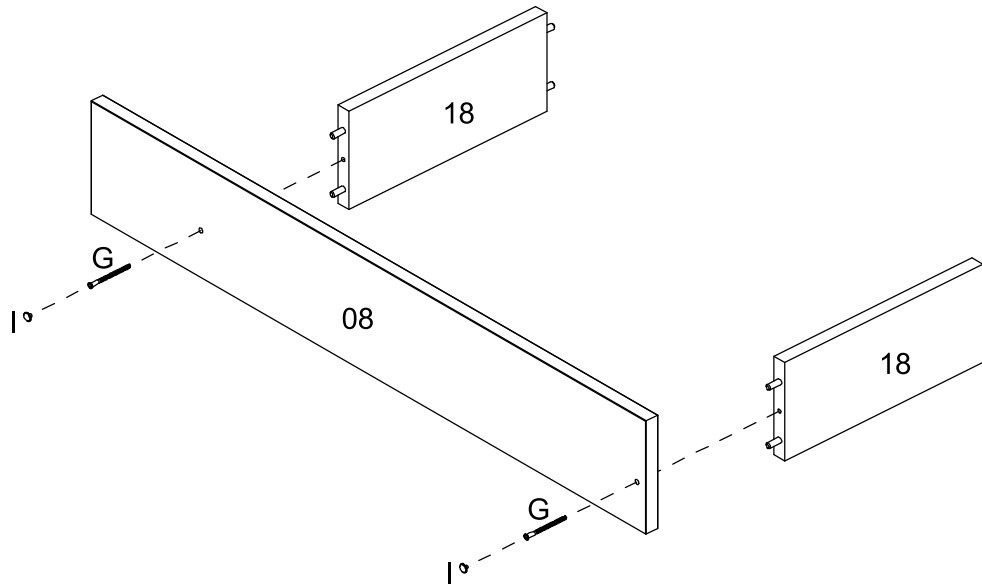


**Step 29:** To secure the item to the wall use hardware parts A, B3 and E9 using a drilling machine (not provided) and a screwdriver (not provided). Then attach hardware part S to the item with a screwdriver (not provided). Birlea Furniture advise you use the wall straps provided to further enhance the safety of this product.



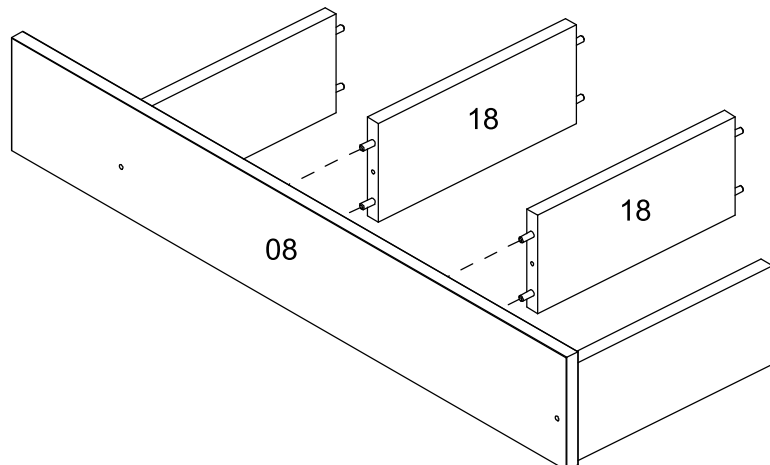
**Step 30:** Attach the right side door module left (08) to the smaller shelf door module (18) using hardware part G, H and I.

**DO NOT use any power tools as this may damage the frame and will invalidate any claim.**

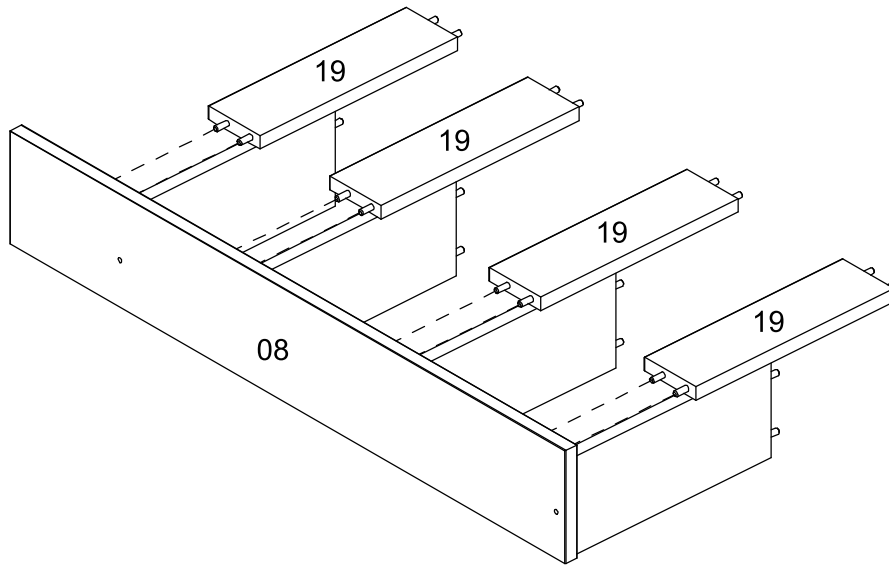


**Step 31:** Join the smaller shelf door module (18) to the assembled section.

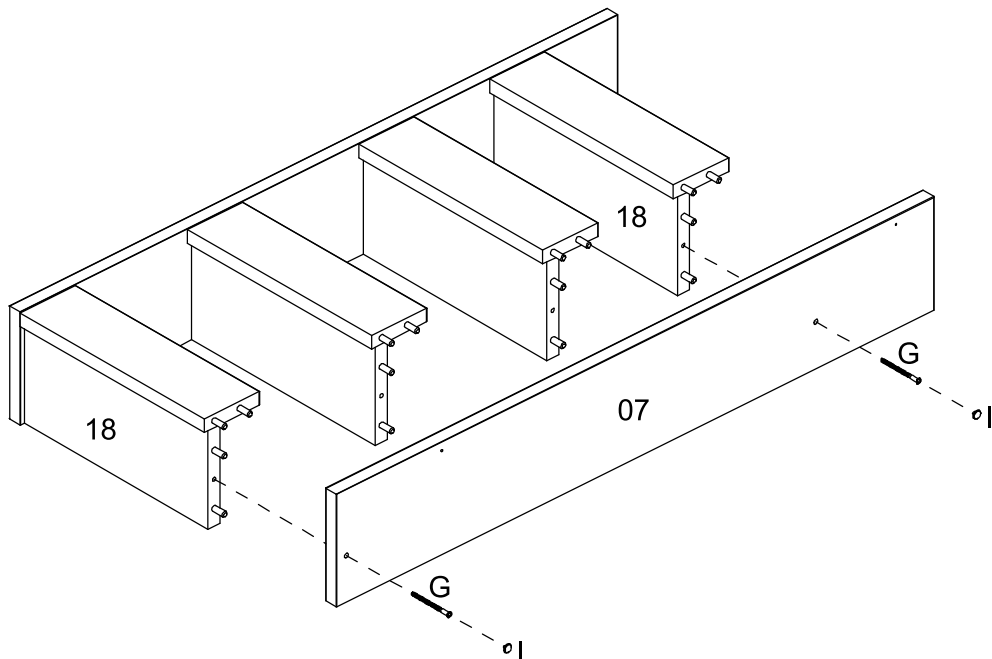
**DO NOT use any power tools as this may damage the frame and will invalidate any claim.**



**Step 32:** Join the tray door module (19) to the assembled section.  
**DO NOT use any power tools as this may damage the frame and will invalidate any claim.**

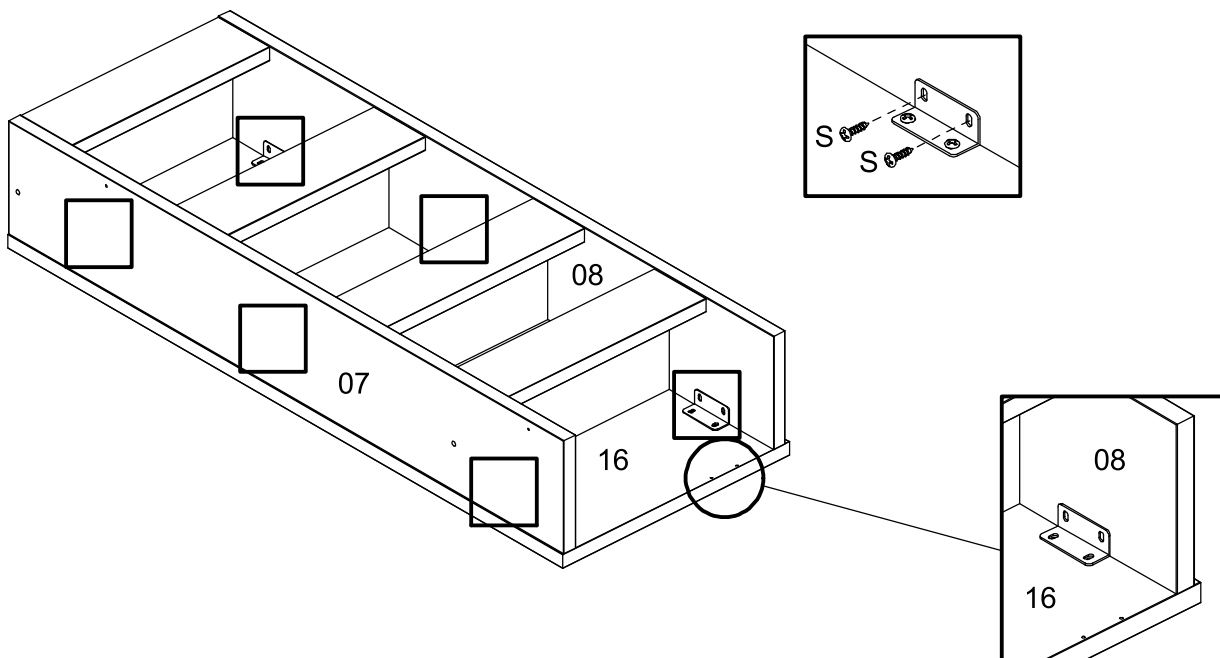


**Step 33:** Join the left side door module left (07) to the assembled section using hardware part G,H and I.  
**DO NOT use any power tools as this may damage the frame and will invalidate any claim.**



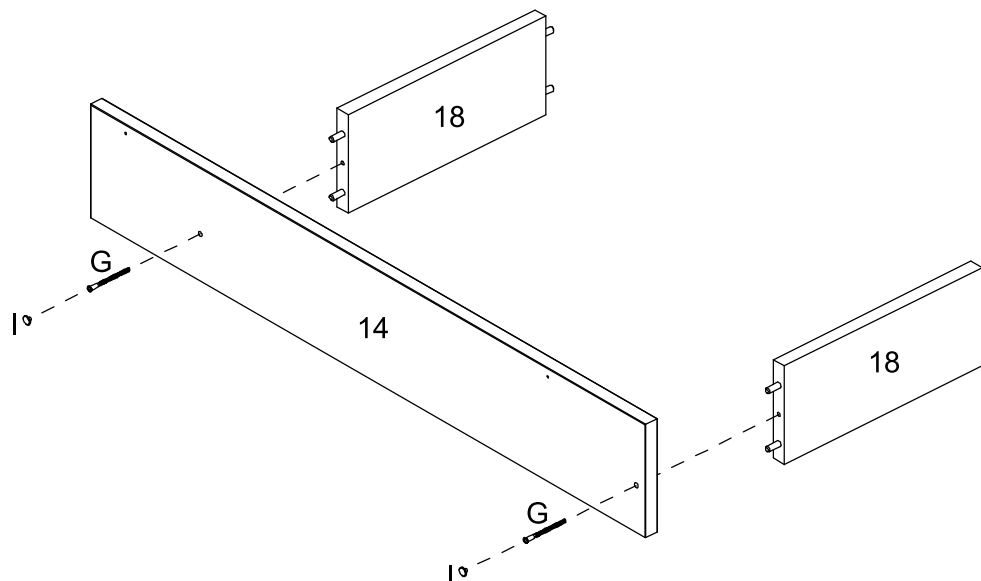
**Step 34:** Join the front door (16) to the assembled section using hardware part S with a screwdriver (not provided).

**DO NOT use any power tools as this may damage the frame and will invalidate any claim.**

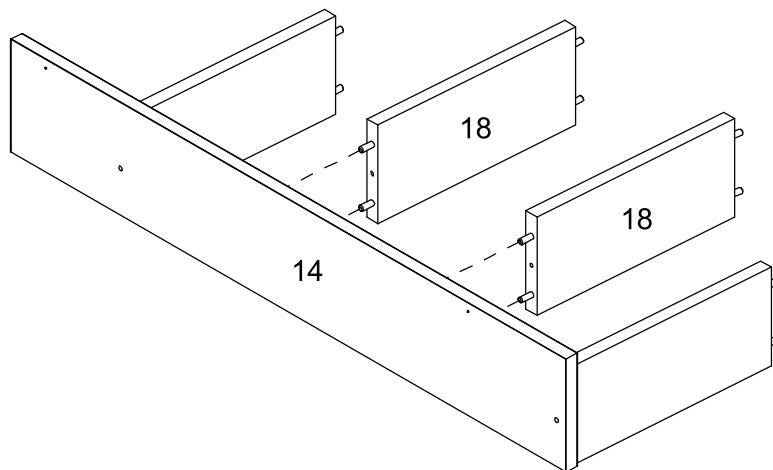


**Step 35:** Attach the right side door module right (14) to the smaller shelf door module (18) using hardware part G, H and I.

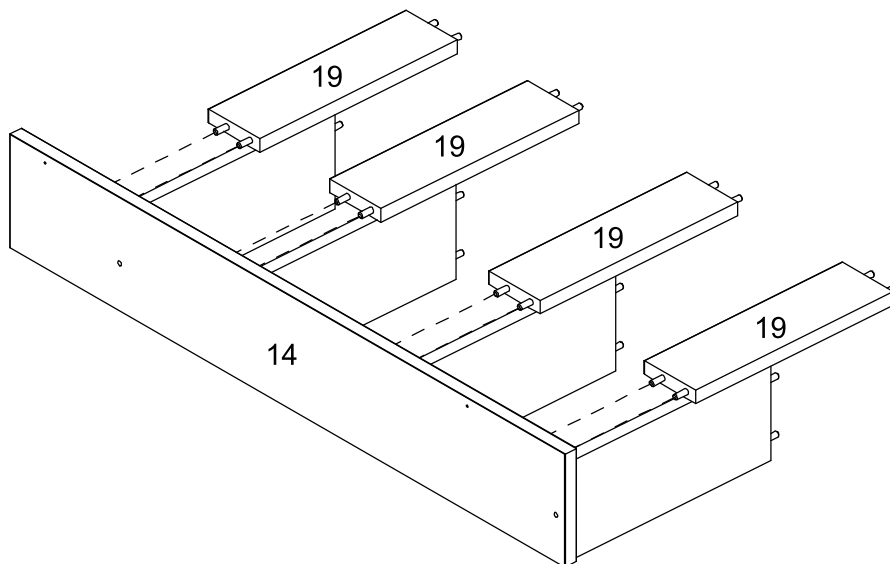
**DO NOT use any power tools as this may damage the frame and will invalidate any claim.**



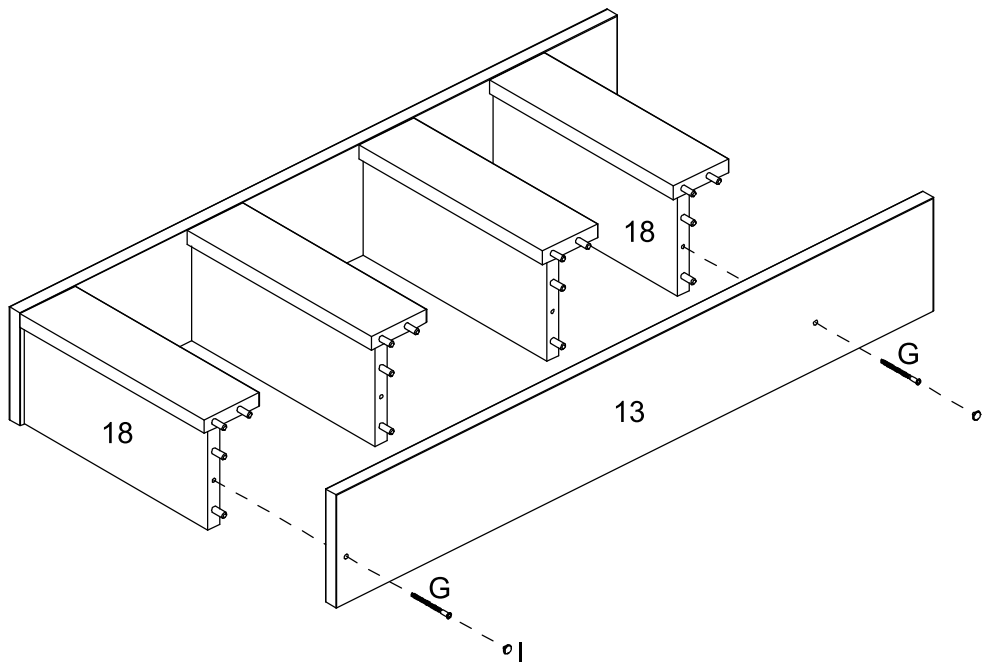
**Step 36:** Join the smaller shelf door module (18) to the assembled section.  
**DO NOT use any power tools as this may damage the frame and will invalidate any claim.**



**Step 37:** Join the tray door module (19) to the assembled section.  
**DO NOT use any power tools as this may damage the frame and will invalidate any claim.**

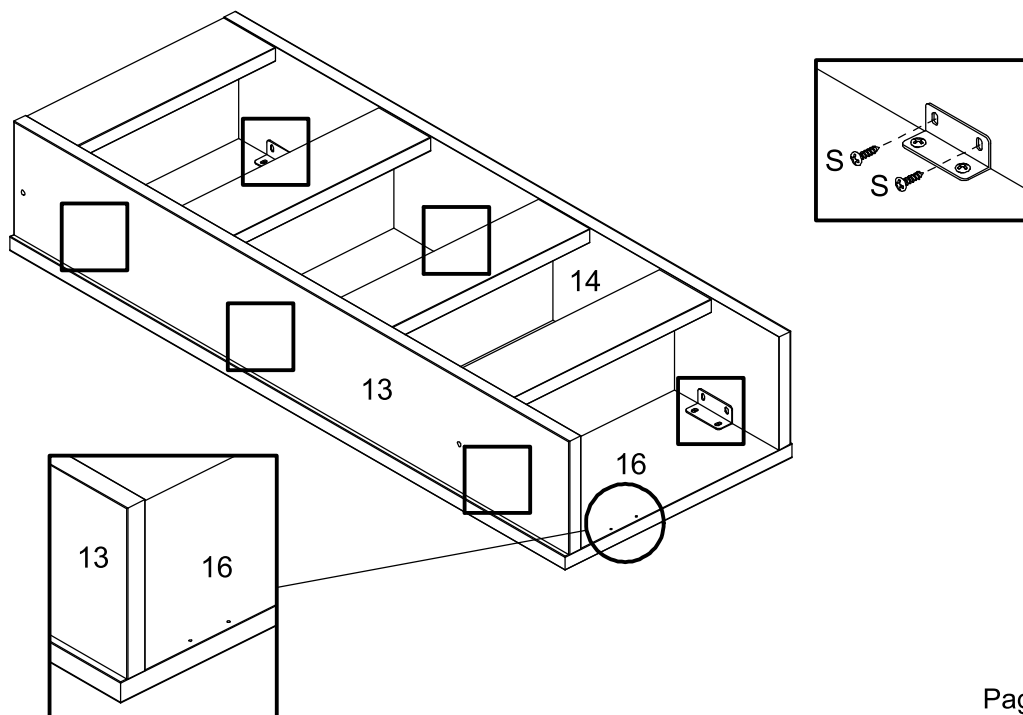


**Step 38:** Join the left side door module right (13) to the assembled section using hardware part G,H and I.  
**DO NOT use any power tools as this may damage the frame and will invalidate any claim.**

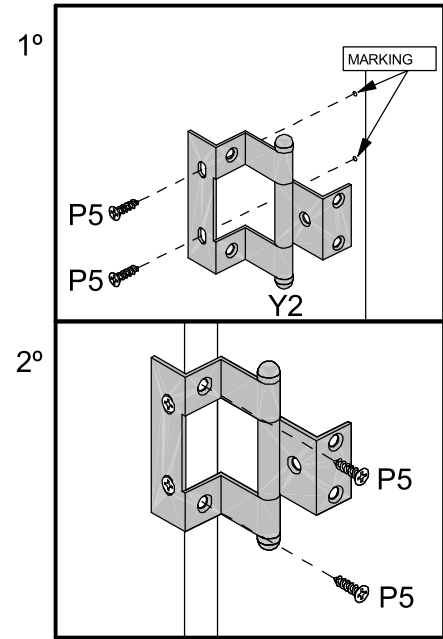
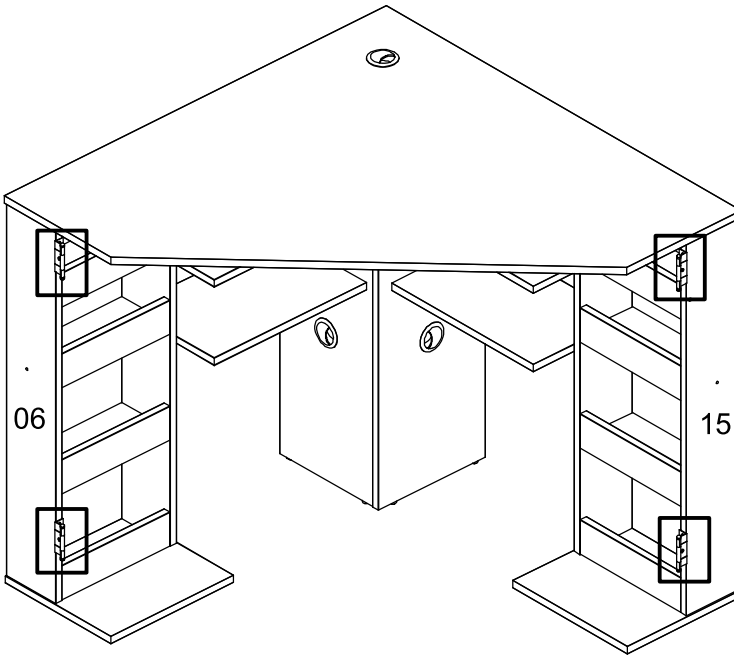


**Step 39:** Join the front door (16) to the assembled section using hardware part S with a screwdriver (not provided).

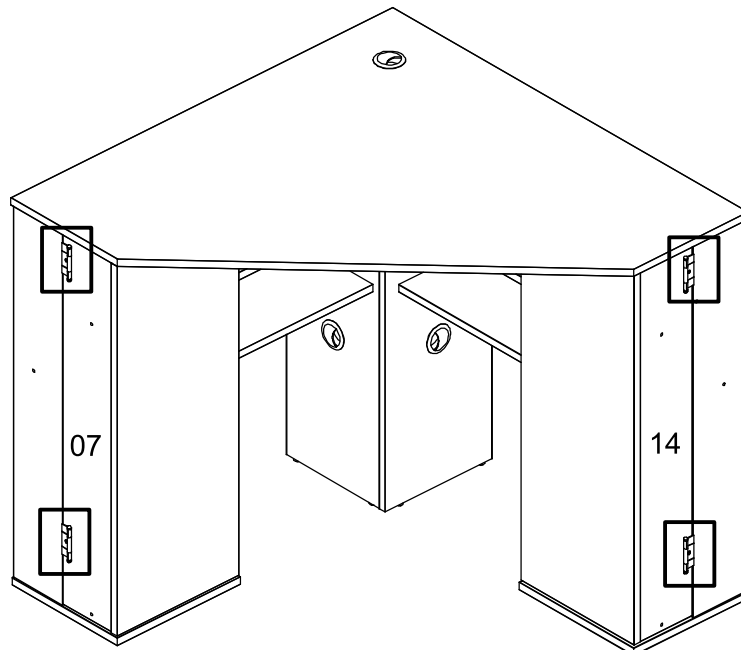
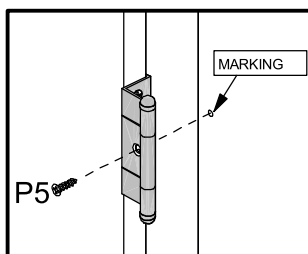
**DO NOT use any power tools as this may damage the frame and will invalidate any claim.**



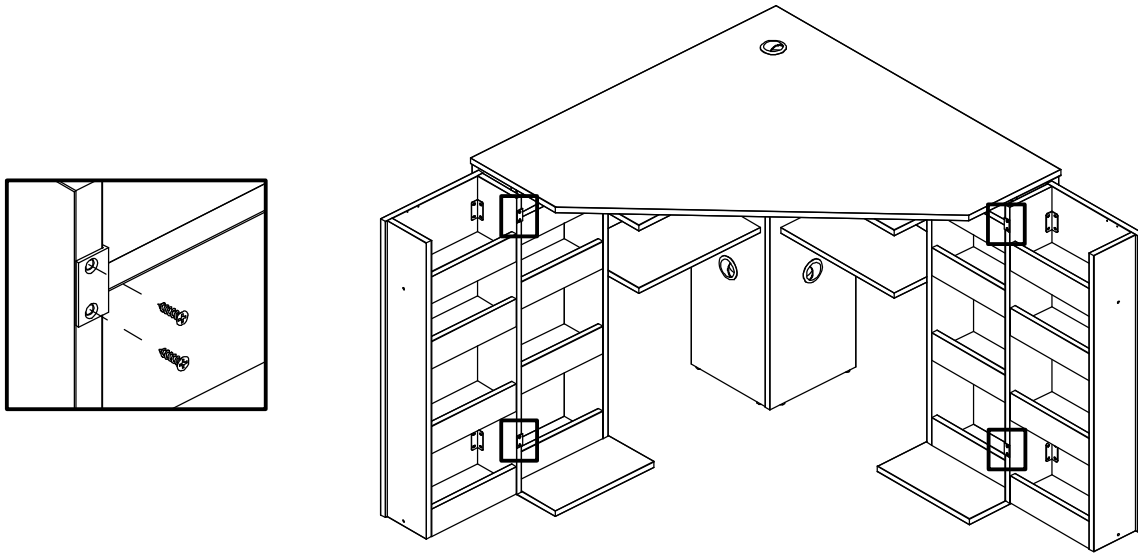
**Step 40:** Insert hardware part Y2 to the left side fixed module left (06) and right side fixed module right (15) using hardware part P5 and screwdriver (not provided).  
**DO NOT use any power tools as this may damage the frame and will invalidate any claim.**



**Step 41:** Attach the doors left side door module left (07) and right side door module right (14) assembled section using hardware part P5 and screwdriver (not provided).  
**DO NOT use any power tools as this may damage the frame and will invalidate any claim.**



**Step 42:** Open the doors to using hardware part P5 and screwdriver (not provided).  
**DO NOT use any power tools as this may damage the frame and will invalidate any claim.**



**Step 43:** Insert hardware part V16 to the front door (16) using hardware part P5 and screwdriver (not provided).  
**DO NOT use any power tools as this may damage the frame and will invalidate any claim.**

