

BRIZO®

PRESSURE BALANCE VALVE TRIM

- Levoir® Bath Collection
- Valve Trim Only

FEATURES:

- Pressure balanced bath mixing valve


STANDARD SPECIFICATIONS:

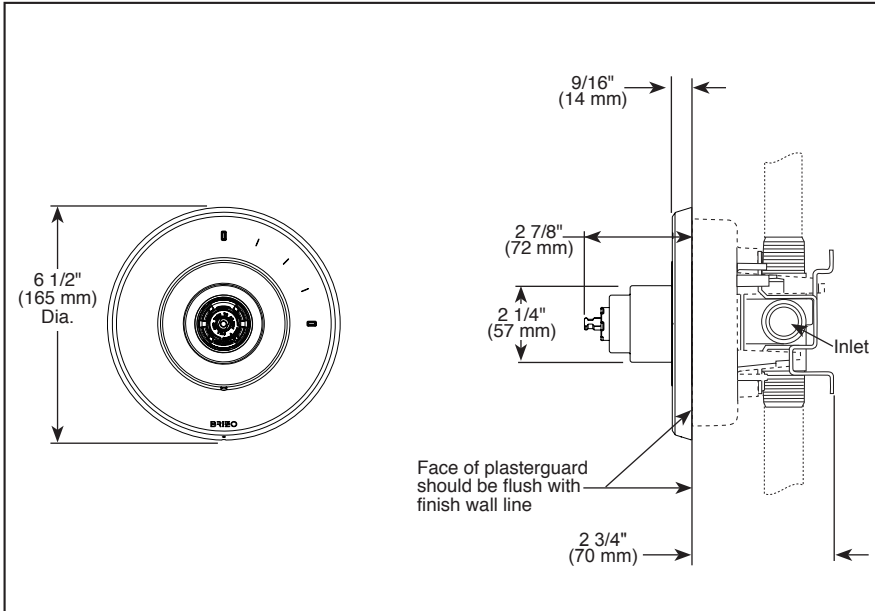
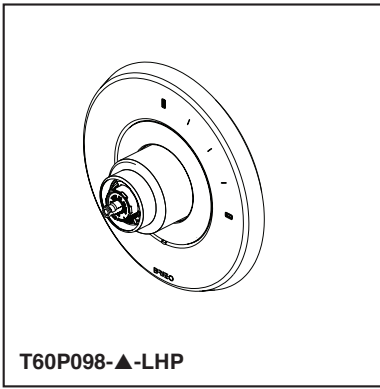
- Maintains a balanced pressure of hot and cold water even when a valve is turned on or off elsewhere in the system
- For use with MultiChoice® Universal rough valve body (R60000 Series)
- Back-to-back installation capability
- Handle controls on/off and temperature
- Red/Blue temperature indicator
- Field adjustable to limit handle rotation into hot water zone
- 120° maximum handle rotation
- All parts replaceable from the front of the valve
- Extension kit (RP81665) extends rough installation for up to 1 3/4" (optional, not included)

WARRANTY

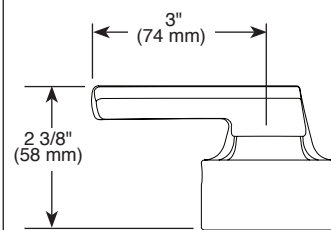
- Parts and Finish - Lifetime limited warranty; or for commercial purchasers, 10 years for multi-family residential (apartments and condominiums) and 5 years for all other commercial uses, in each case from the date the product is received by the original purchaser or their authorized representative (installation contractor, etc.).
- Please go to www.brizo.com for the complete details of our limited warranty.

COMPLIES WITH:

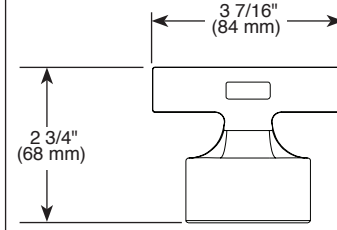
- ASME A112.18.1 / CSA B125.1
- ASSE 1016 / ASME A112.1016 / CSA B125.16
-  ICC/ANSI A117.1



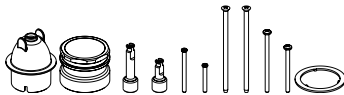
HL60P98-▲ Lever Handle



HX60P98-▲ Cross Handle



RP81665 Available Extension Kit



▲ Designate proper finish suffix