

# ASSEMBLY INSTRUCTIONS

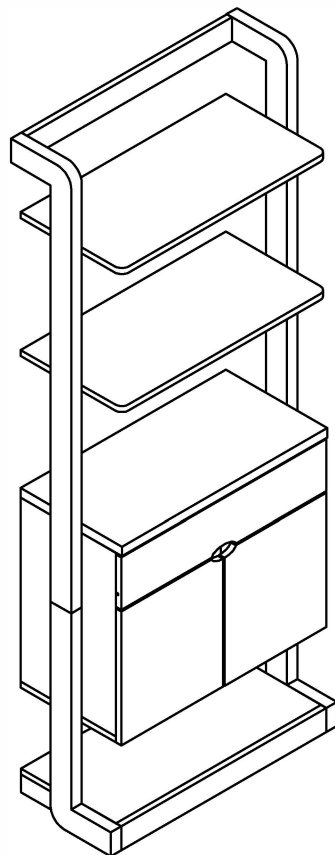
---

## **PLEASE READ BEFORE ASSEMBLING!**

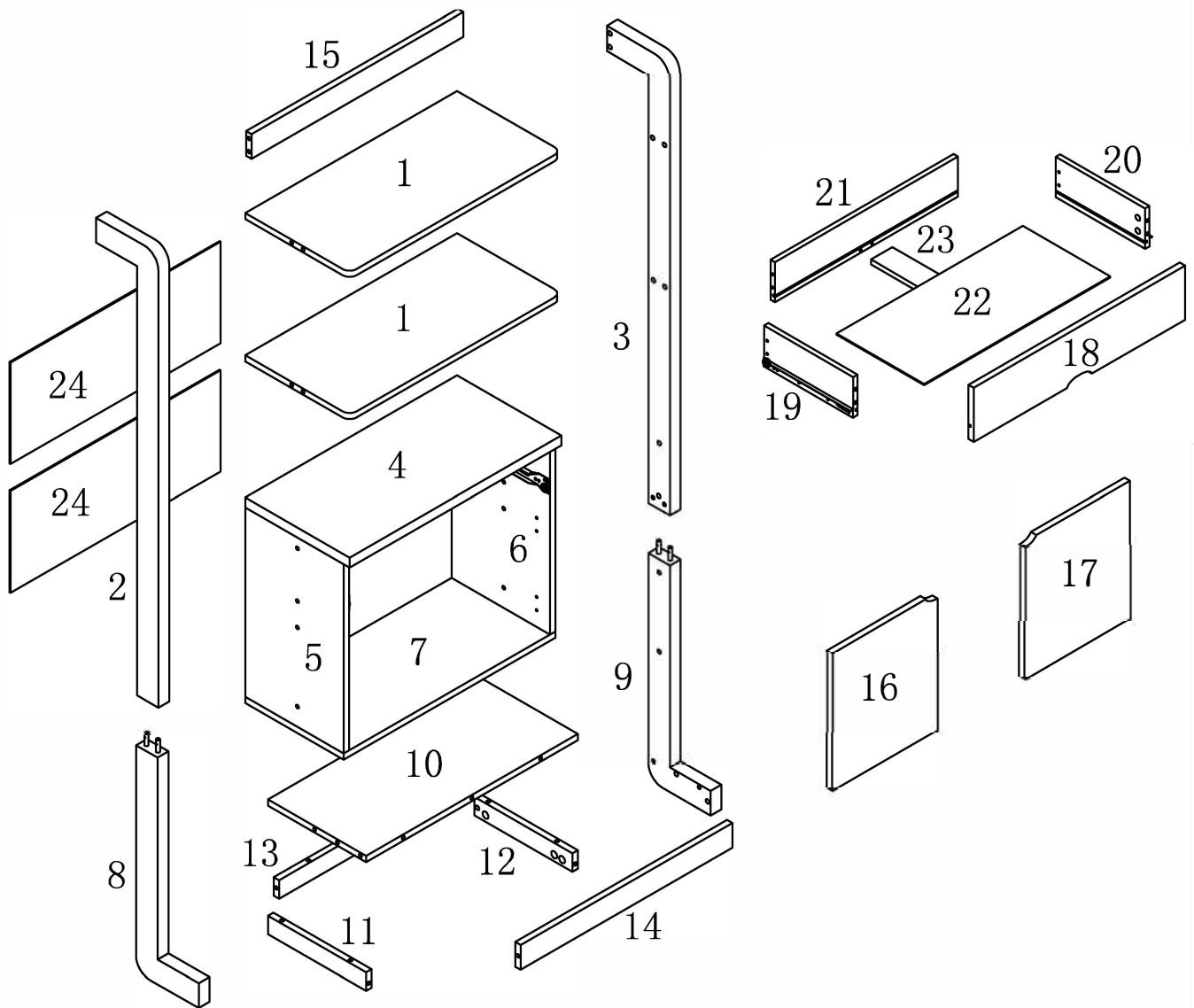
Tip #1: Make sure you've taken all the pieces and hardware out of its packaging before discarding the box.

Tip #2: Using page 2 and/or page 3 of instruction manual make sure all pieces and hardware are accounted for.

Tip #3: Read manual before assembling, it helps!






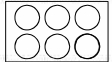







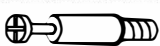







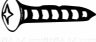
# PARTS IDENTIFICATION



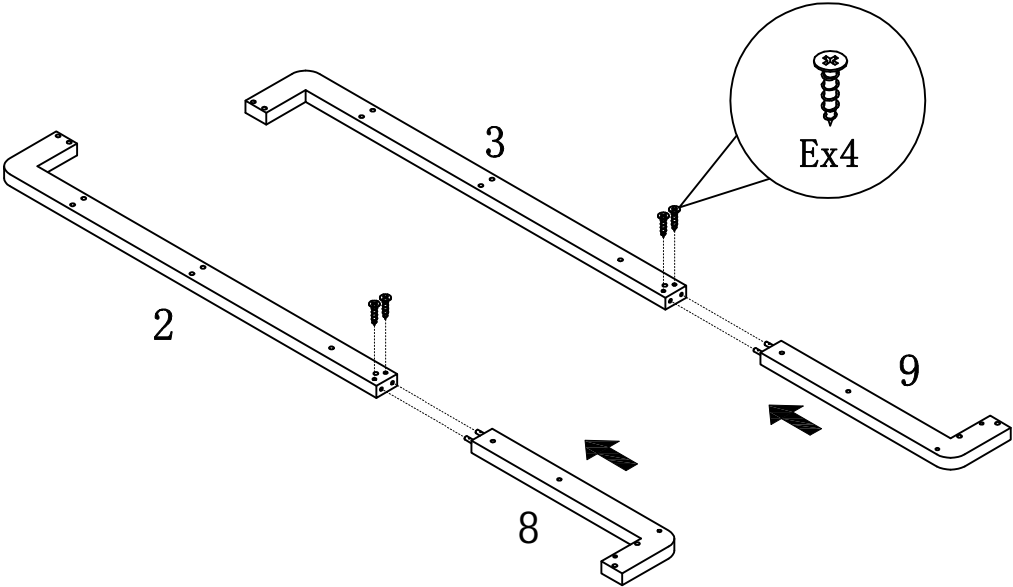
(1)	2pcs	(7)	2pcs	(13)	1pc	(19)	1pc
(2)	1pc	(8)	1pc	(14)	1pc	(20)	1pc
(3)	1pc	(9)	1pc	(15)	1pc	(21)	1pc
(4)	1pc	(10)	1pc	(16)	1pc	(22)	1pc
(5)	1pc	(11)	1pc	(17)	1pc	(23)	1pc
(6)	2pcs	(12)	1pc	(18)	1pc	(24)	2pcs

# HARDWARE IDENTIFICATION

---

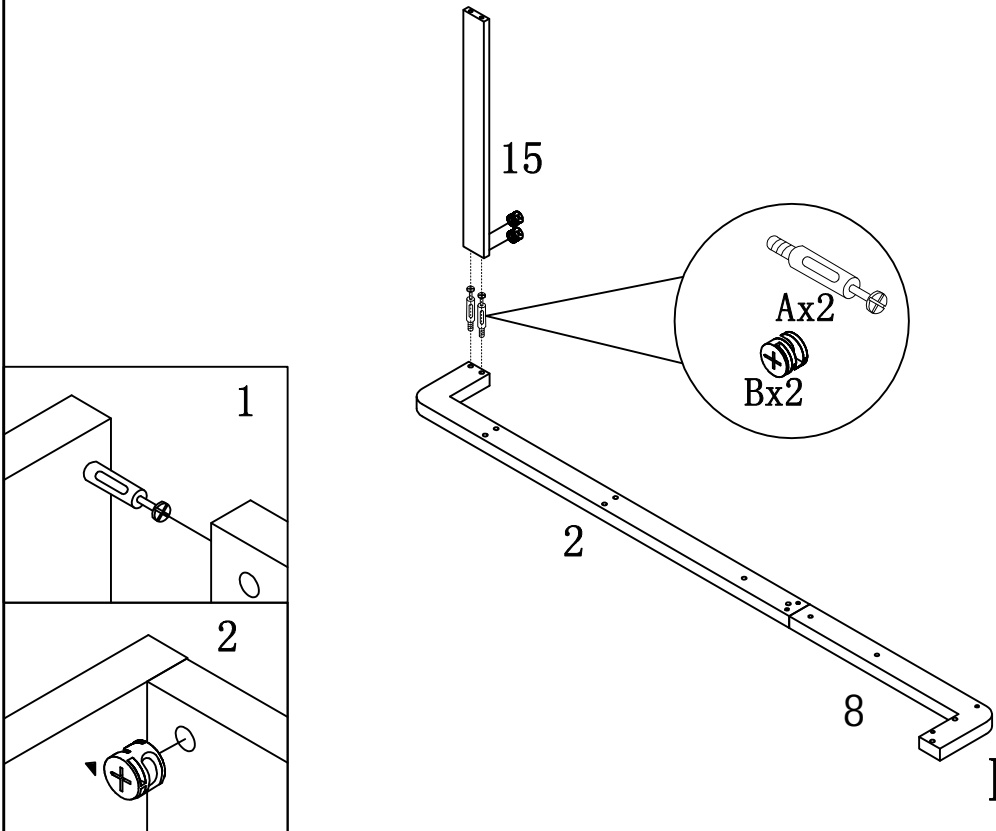
A		L29	32pcs
B		Ø15	32pcs
C		Ø8x25	10pcs
D		Ø22	8pcs
E		Ø4x20	4pcs
F		Ø4x40	4pcs
G		301A	4pcs
H		Ø4x16	24pcs
I		Ø16	4pcs
J			20pcs
K		Ø4x30	6pcs
L		L20	4pcs
M		Ø12	4pcs
N		M6x25	8pcs
O		Ø6x30	2pcs
P		197x5x1	1pc
Q		Φ 8x40	1pc
R		12x12x1	2pcs
S		Φ 5x40	1pc
T		Φ 4x25	1pc

# ASSEMBLY INSTRUCTIONS



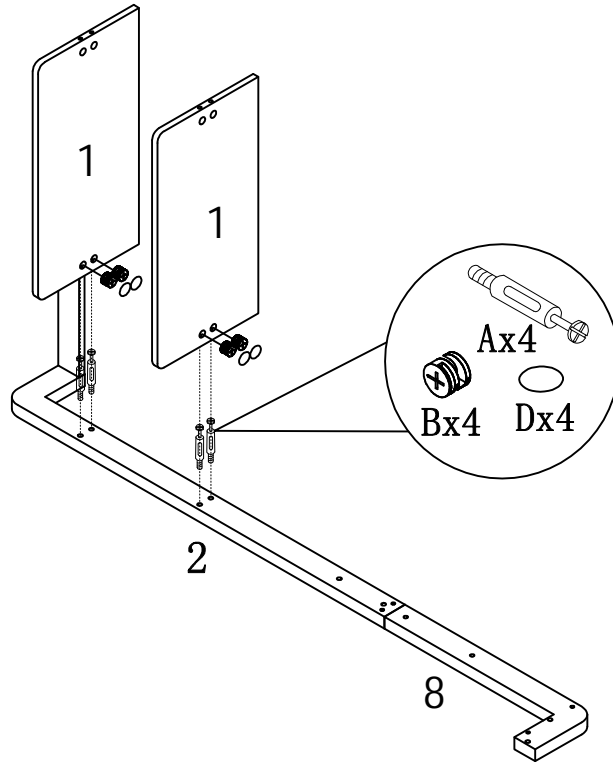
STEP 1

STEP 2



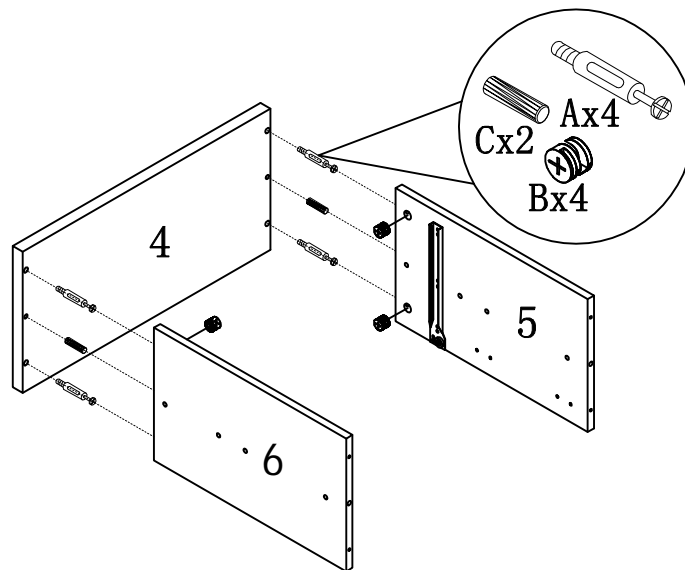
# ASSEMBLY INSTRUCTIONS

---



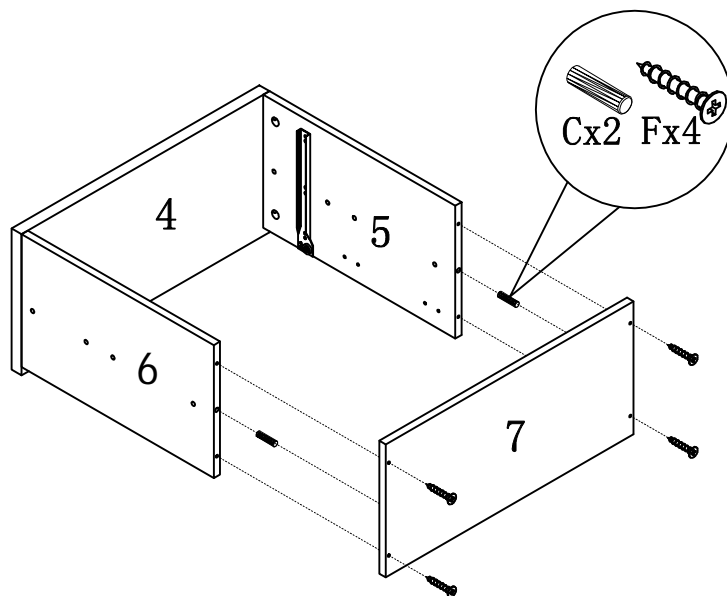
STEP3

STEP4



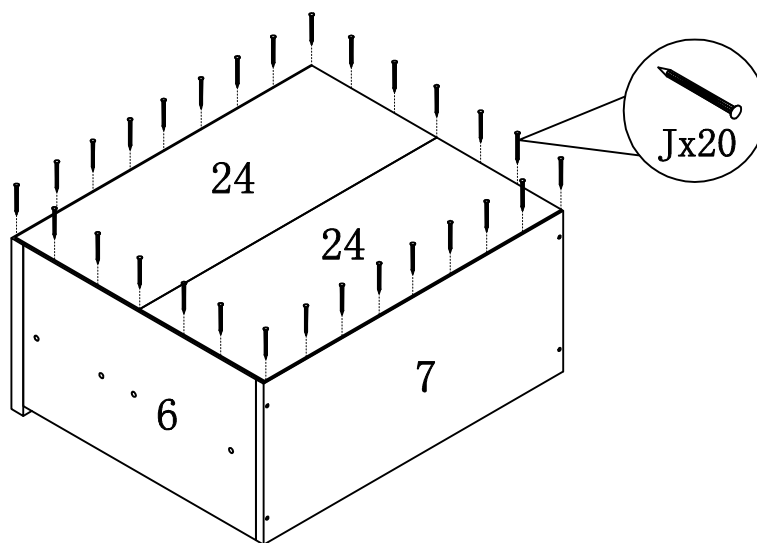
# ASSEMBLY INSTRUCTIONS

---



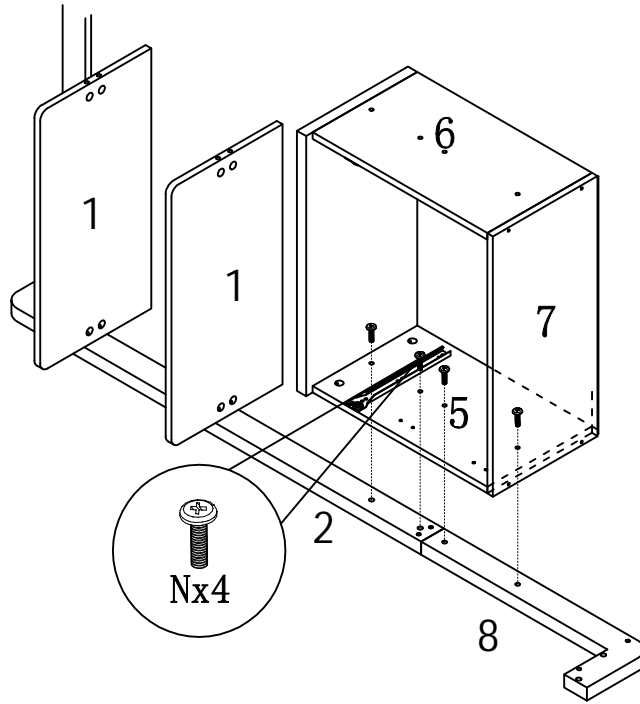
STEP5

STEP6



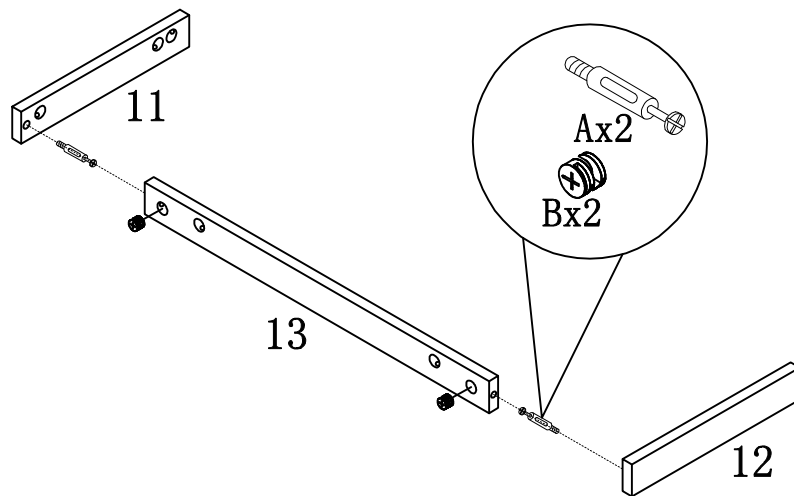
# ASSEMBLY INSTRUCTIONS

---



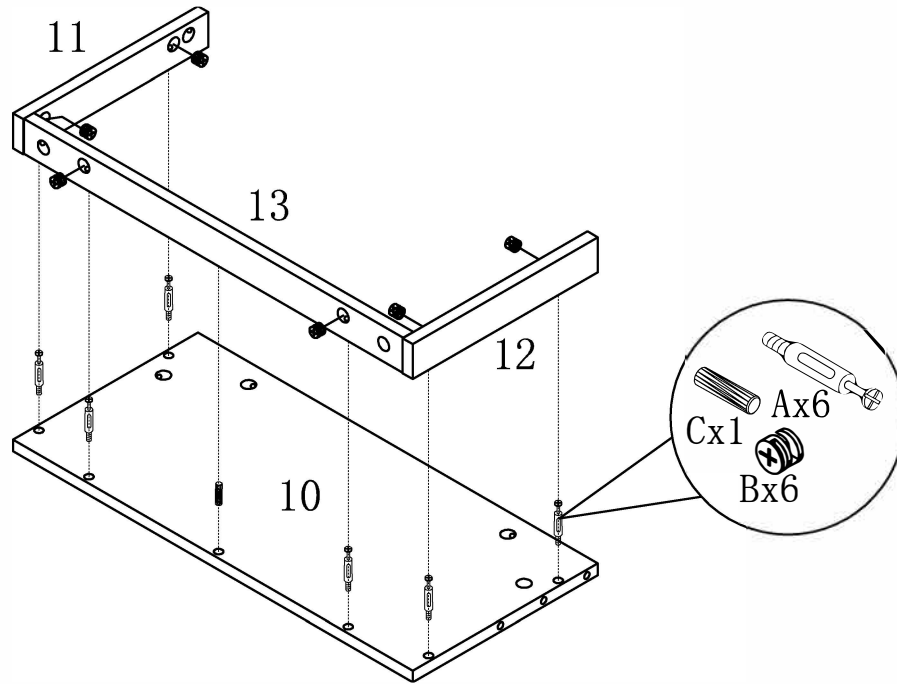
STEP7

STEP8



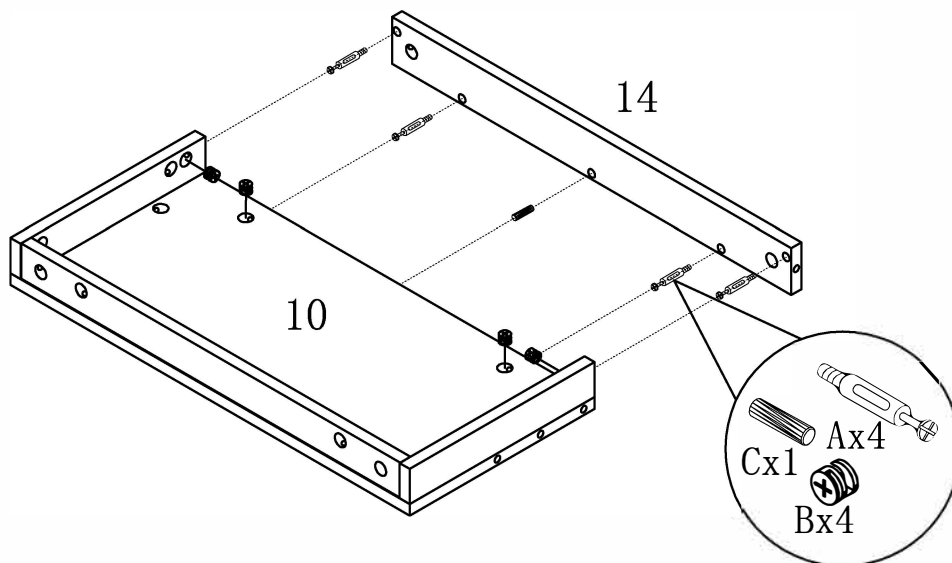
# ASSEMBLY INSTRUCTIONS

---

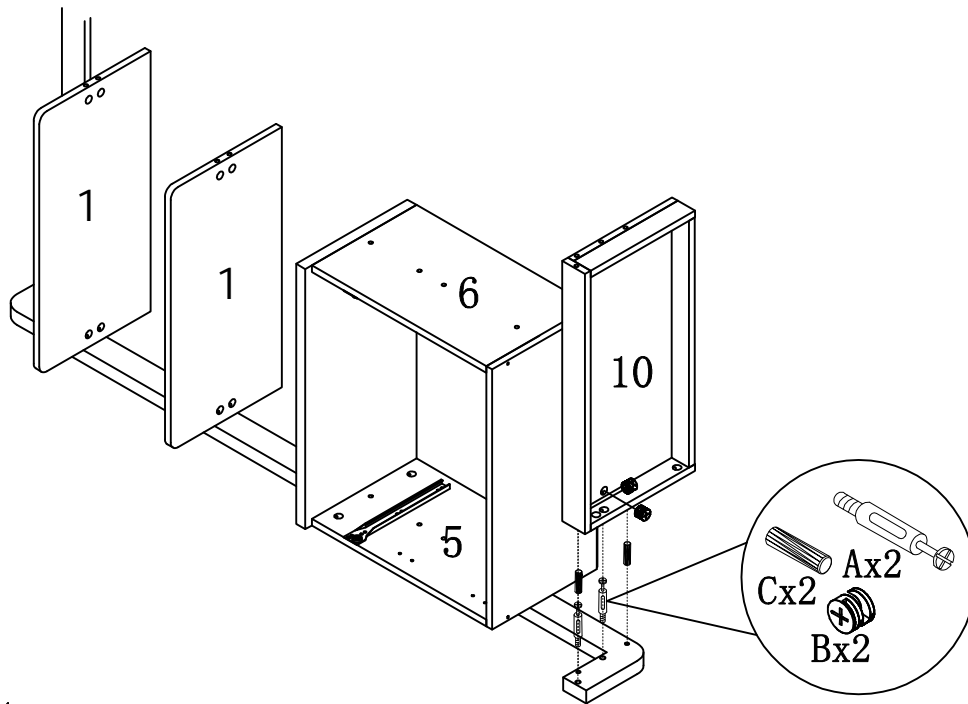


STEP9

STEP10

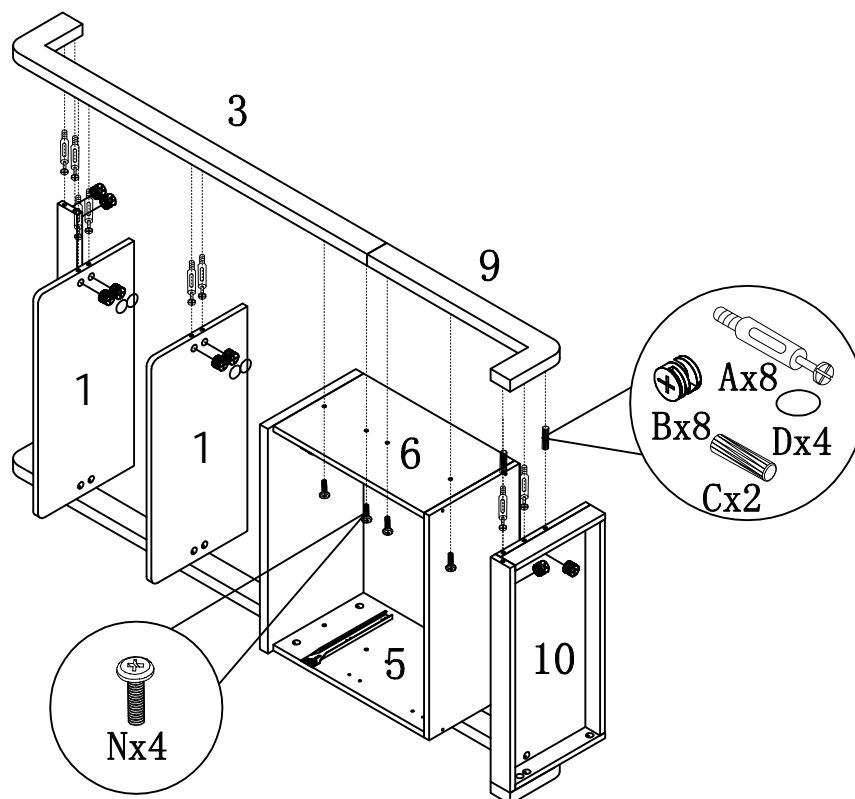


# ASSEMBLY INSTRUCTIONS



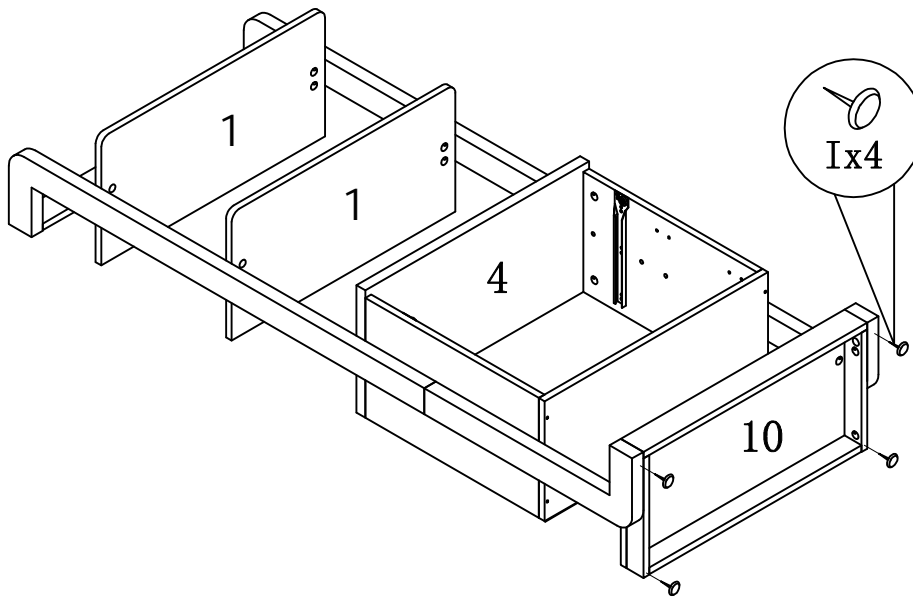
STEP11

STEP12



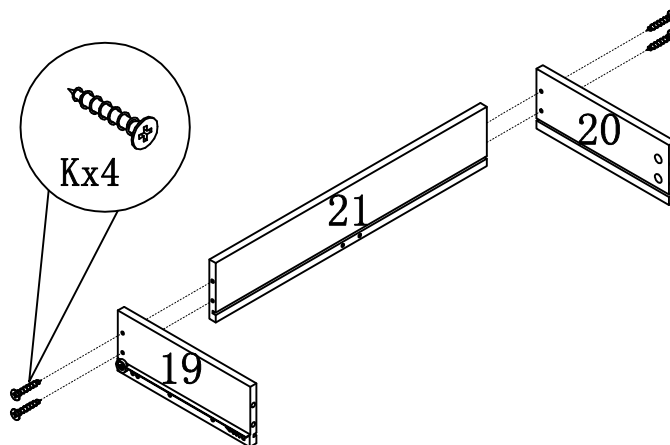
# ASSEMBLY INSTRUCTIONS

---



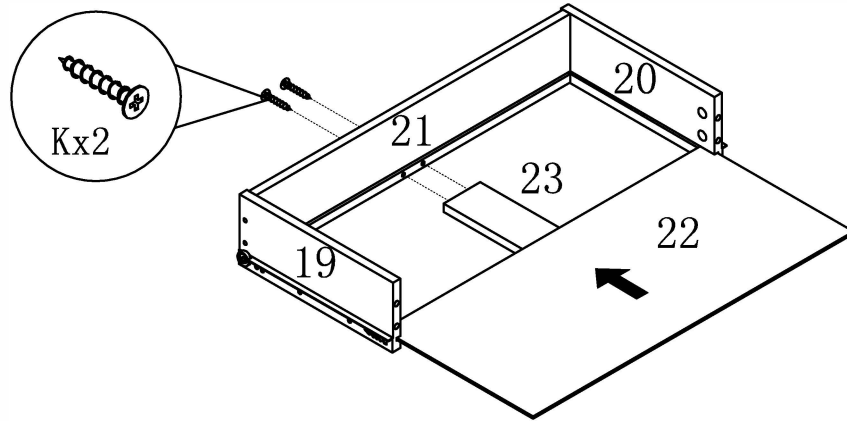
STEP 13

STEP 14



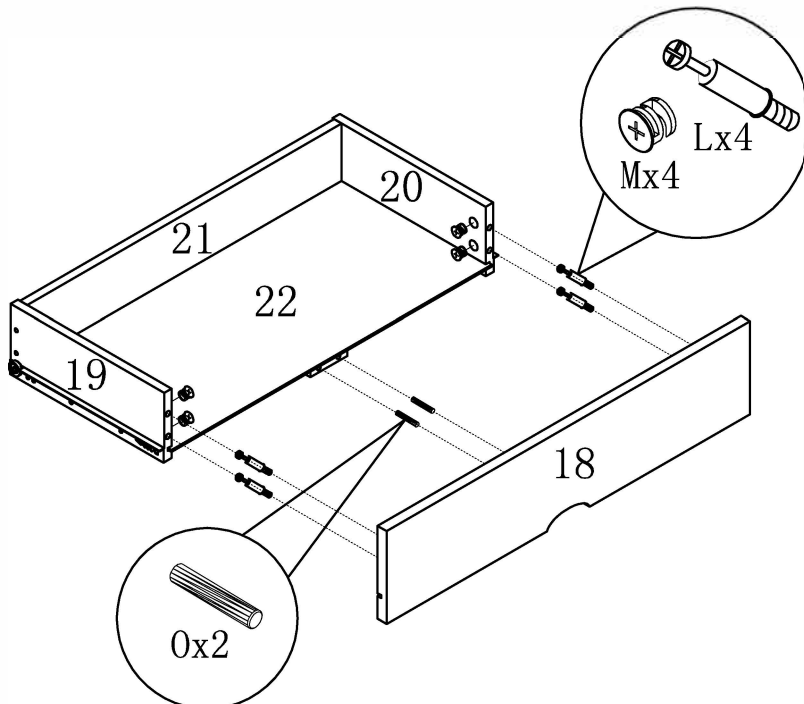
# ASSEMBLY INSTRUCTIONS

---

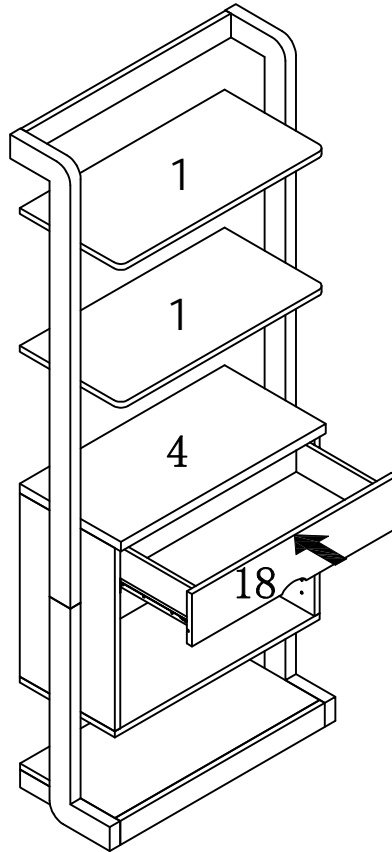


STEP 15

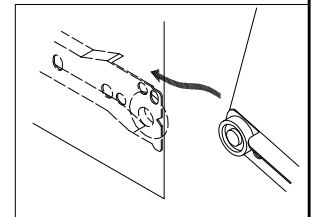
STEP 16



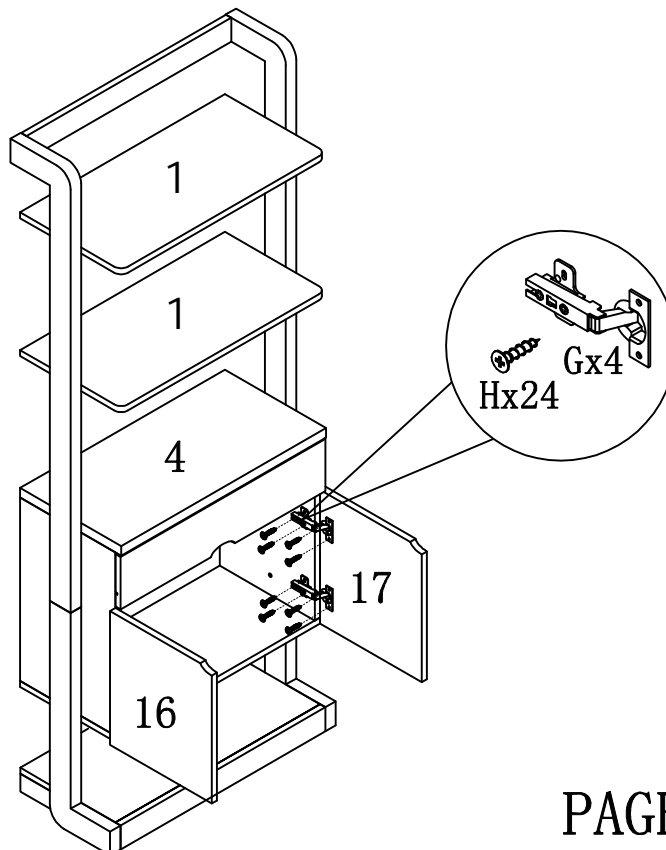
# ASSEMBLY INSTRUCTIONS



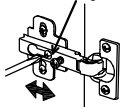
STEP 17



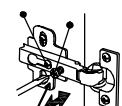
STEP 18



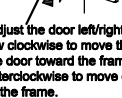
To adjust the door in or out, loosen this screw and push the door further in or push further out then retighten screws.



To adjust the door vertically, loosen the top and bottom screws, push the door up or down as necessary, then retighten screws.

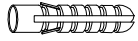


To adjust the door left/right, turn this screw clockwise to move this corner of the door toward the frame, or counterclockwise to move door away from the frame.

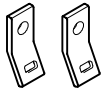


# ANTI-TIPPING STRAP INSTRUCTIONS

## HARDWARE (INCLUDED) :



DRYWALL ANCHOR  $\phi 8 \times 40$  X 1PC



METAL BRACKETS  $12 \times 12 \times 1$  X 2PCS



DRYWALL SCREW  $\phi 5 \times 40$  X 1PC

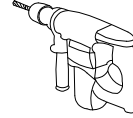


STRAP  $197 \times 5 \times 1$  X 1PC



FLATHEAD SCREW  $\phi 4 \times 25$  X 1PC

## TOOLS NEEDED ( NOT INCLUDED) :



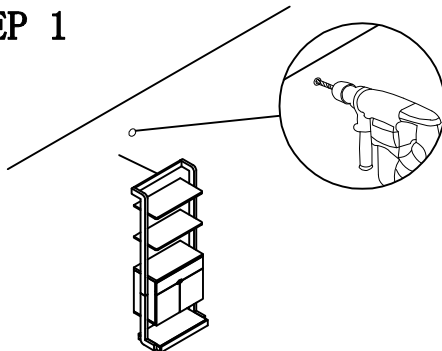
DRILL & DRILL BIT



LIGHT HAMMER

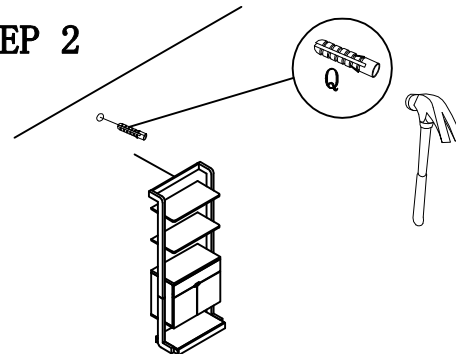
Note: Hardware included only compatible with standard drywalls.

### STEP 1



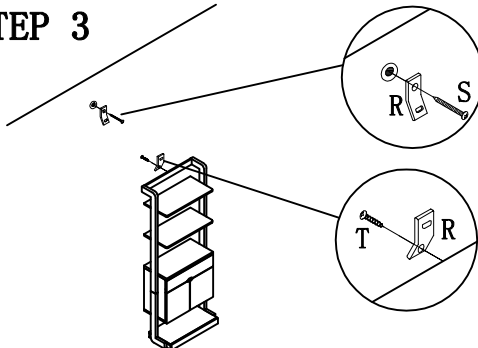
1. Find spot on wall 1" below top of item.
2. Using a drill bit slightly thinner than anchor, drill hole into drywall.

### STEP 2



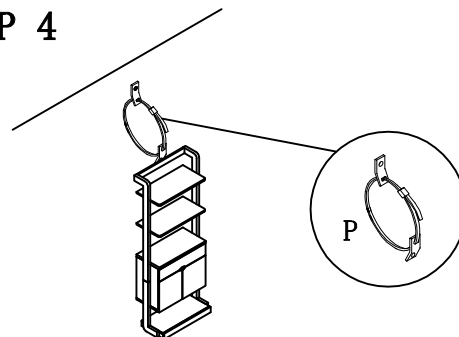
1. Use a light hammer to tap anchor into hole.
2. Anchor should fit snugly. If hole is too small, drill again to increase hole size. Do not force anchor into wall.

### STEP 3



1. Insert drywall screw into metal bracket and into drywall anchor.
2. Insert flathead screw into second metal bracket and into back of item along top edge.

### STEP 4



1. Insert strap thru bracket attached to wall, then thru bracket on item, and into head of strap.
  2. pull lightly til strap stops.
- Assembly is complete.