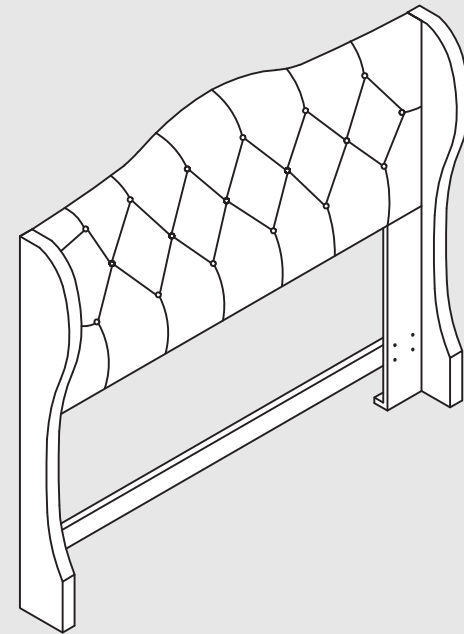


FULL / QUEEN WING HEADBOARD



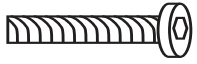
ADULT ASSEMBLY REQUIRED

If you are missing any parts or have any questions regarding assembly, do not return this item to the retailers store. Please call our toll-free customer service number and have this assembly manual open to the parts list ready to provide the model name, and part name or number.

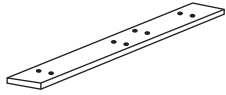


PARTS AND HARDWARE

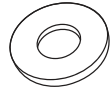
Avoid using sharp objects such as a knife to cut open packing as you may accidentally damage the upholstery.



A. 1-3/4" Bolt
26x



B. Connector
2x



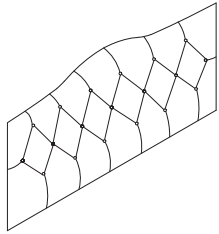
C. Flat Washer
30x



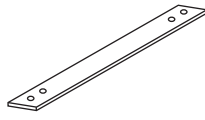
D. Lock Washer
30x



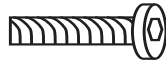
E. Wrench
1x



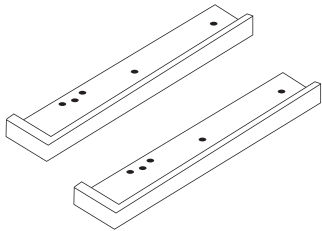
F. Headboard
1x



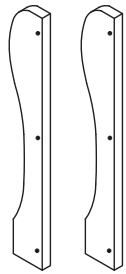
G. Foot Connector
1x



H. 1" Bolt
4x



I. Foot
2x

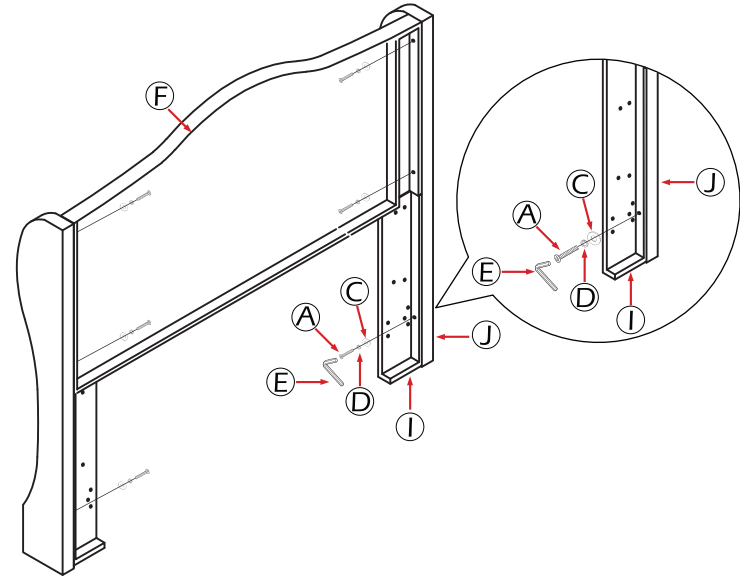


J. Wings
2x

(Packed in box 2 of 2)

ASSEMBLY INSTRUCTIONS

1



2

