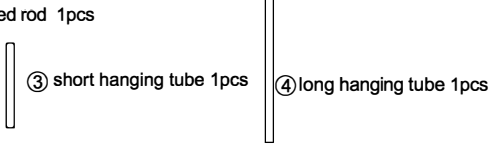
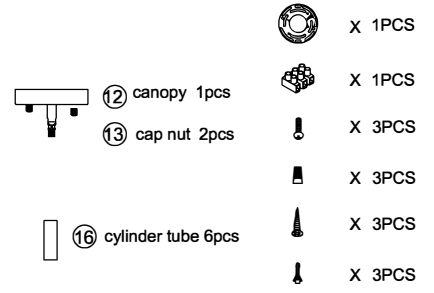


① light fixture 1pcs



④ long hanging tube 1pcs

⑤ long hanging tube 3pcs



⑫ canopy 1pcs

⑬ cap nut 2pcs

⑯ cylinder tube 6pcs

X 1PCS

X 1PCS

X 3PCS

X 3PCS

X 3PCS

X 3PCS

⑥ threaded rod 1pcs

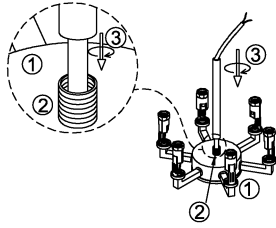
⑦ screw 1pcs

⑧ short tube 1pcs

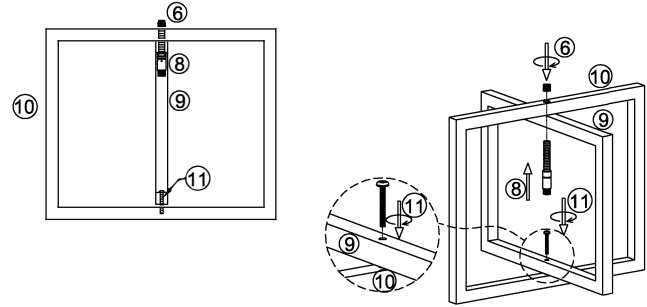
⑨ small metal frame 1pcs

⑩ big metal frame 1pcs

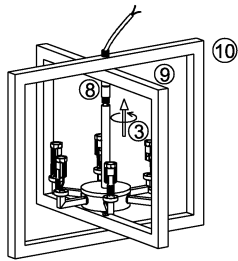
⑪ bolt screw 1pcs



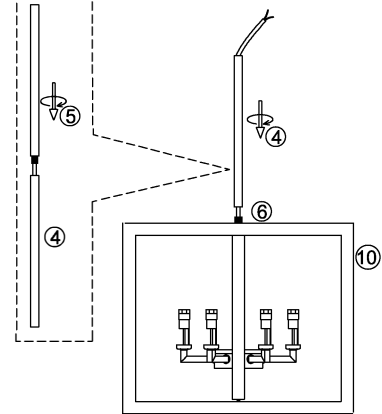
1. Let the wire of the fixture ① go through the tube ③, rotate to fix the tube ③ to the fixture.



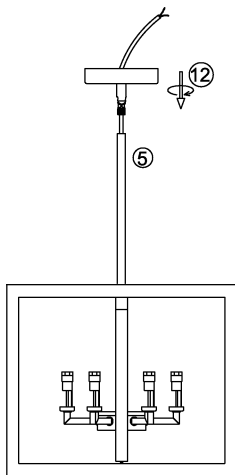
2. Install two metal frame together with short tube ⑧ and rod ⑥, adjust the frame ⑨ and frame ⑩ 90 degree to each other, fix it with bolt screw ⑪.



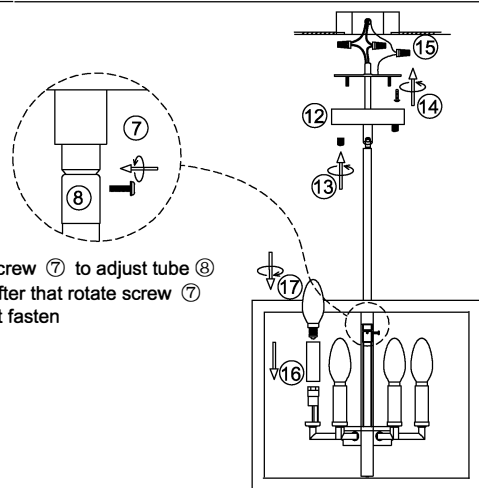
3. Let the wire of the fixture go through the metal frame, rotate to fasten the fixture to the frame together.



4. Let the wire go through the tube ④, rotate to fix the tube to the fixture. (can connect more tubes to get the height you need)



5. Let the wire go through the canopy ⑫, rotate to install the canopy to the fixture.



Loosen screw ⑦ to adjust tube ⑧ straight, after that rotate screw ⑦ to make it fasten

6. Install the bracket to the ceiling junction box with screw ⑭.
7. Connect the wire to your home line with cap connector ⑮.
8. Install the fixture to the bracket with cap nut ⑬.
9. Put the cylinder tube ⑯ on top of bulb holder, install the bulb ⑰.

Please read carefully before installation!!!

Note : Please make sure that the electricity is powered off during installation !

Only a professional electrician should install this kind of product !