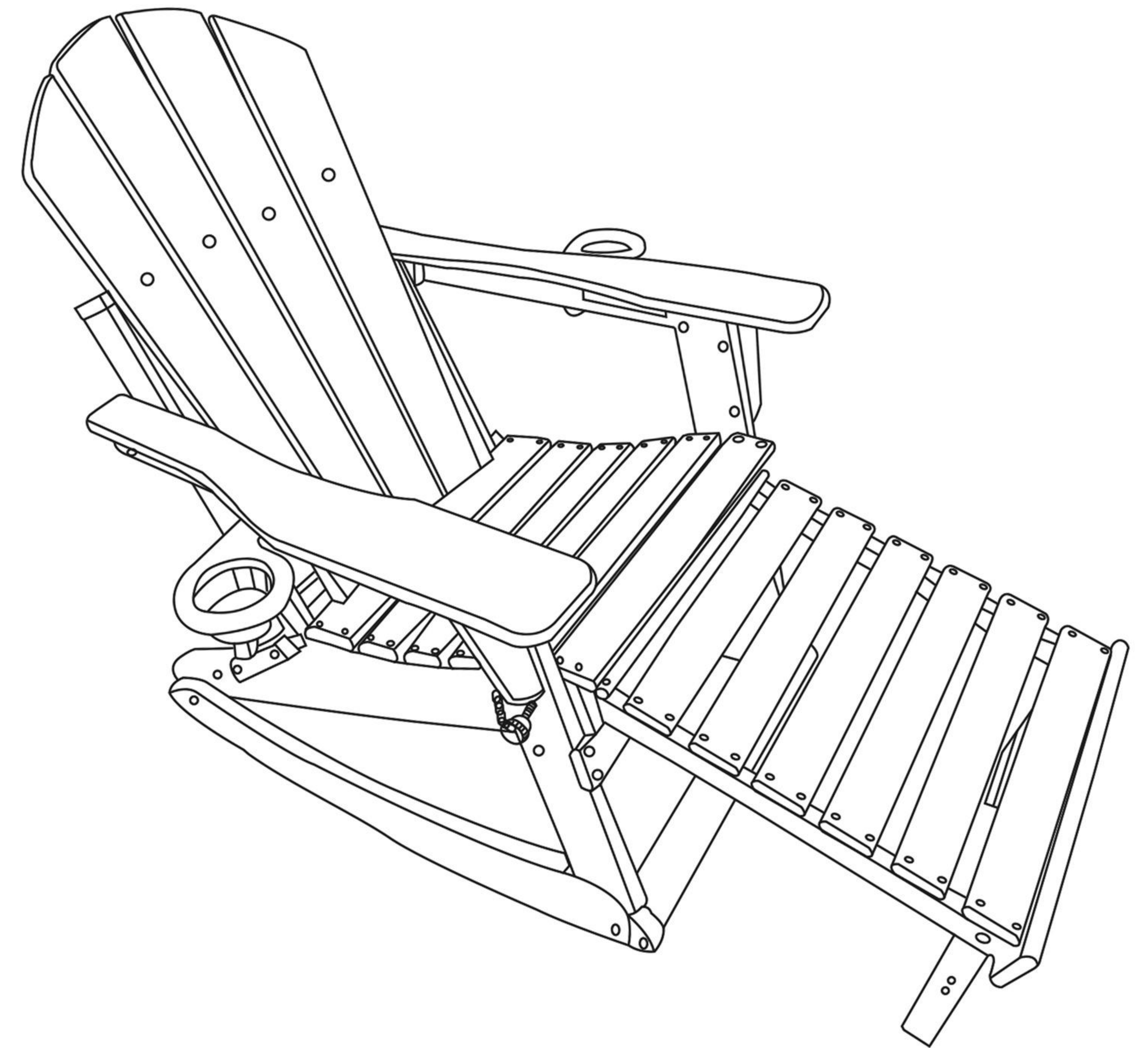


Outdoor Rolling & Reciling

Adirondack Chair

Instruction Manual



Thank you

Thank you for choosing us.

We hope your new furniture helps create a gathering place for you and your loved ones to enjoy for many years to come!

Contact Us

If you have any problem, please give us a chance to make it right for you!

Contact our friendly customer service department for help first. Replacements for missing or damaged parts will be shipped ASAP!

Before You Start

- Please read all instructions carefully.
- Retain instructions for future reference.
- Separate and count all parts and hardware.
- Read through each step carefully and follow the proper order.
- We recommend that, where possible, all items are assembled near to the area in which they will be placed in use, to avoid moving the product unnecessarily once assembled.
- Always place the product on a flat, steady and stable surface.
- Keep all small parts and packaging materials for this product away from babies and children.

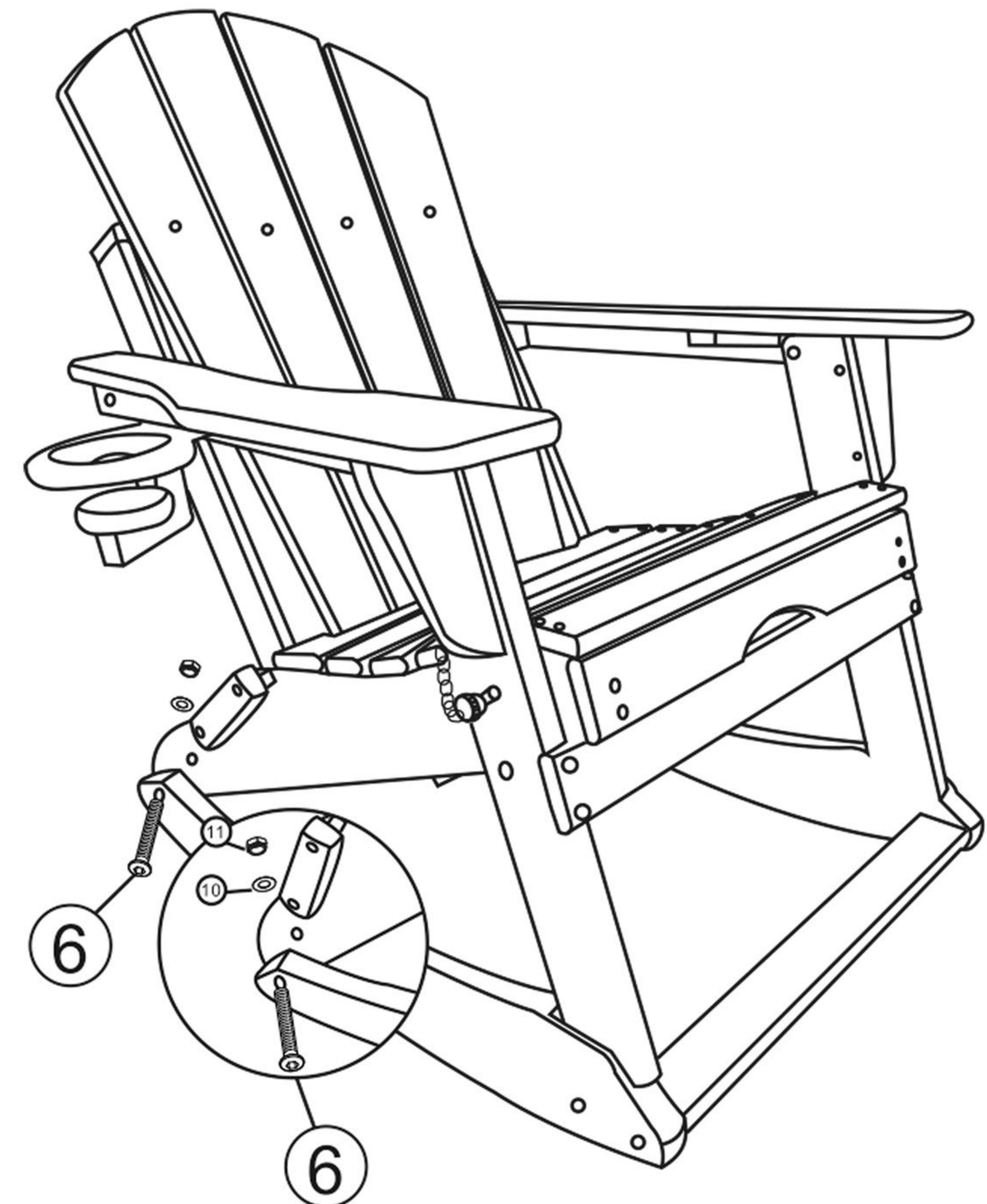
Assembly Procedure

Step 7

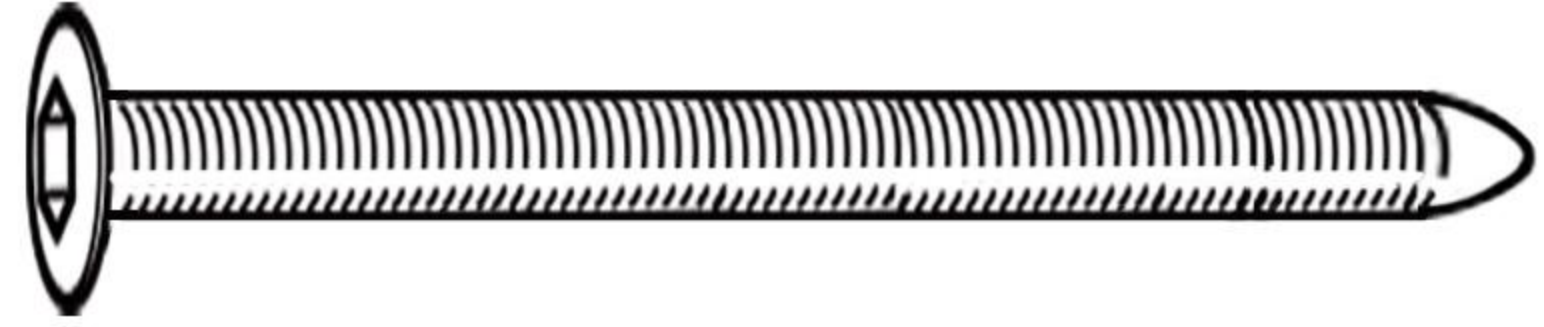


⑥ M6 x 60mm
BOLT

Secure The Chair with Rocking Panel assembled in Step 6 by using Hardware#6, Washer#10, Nuts#11

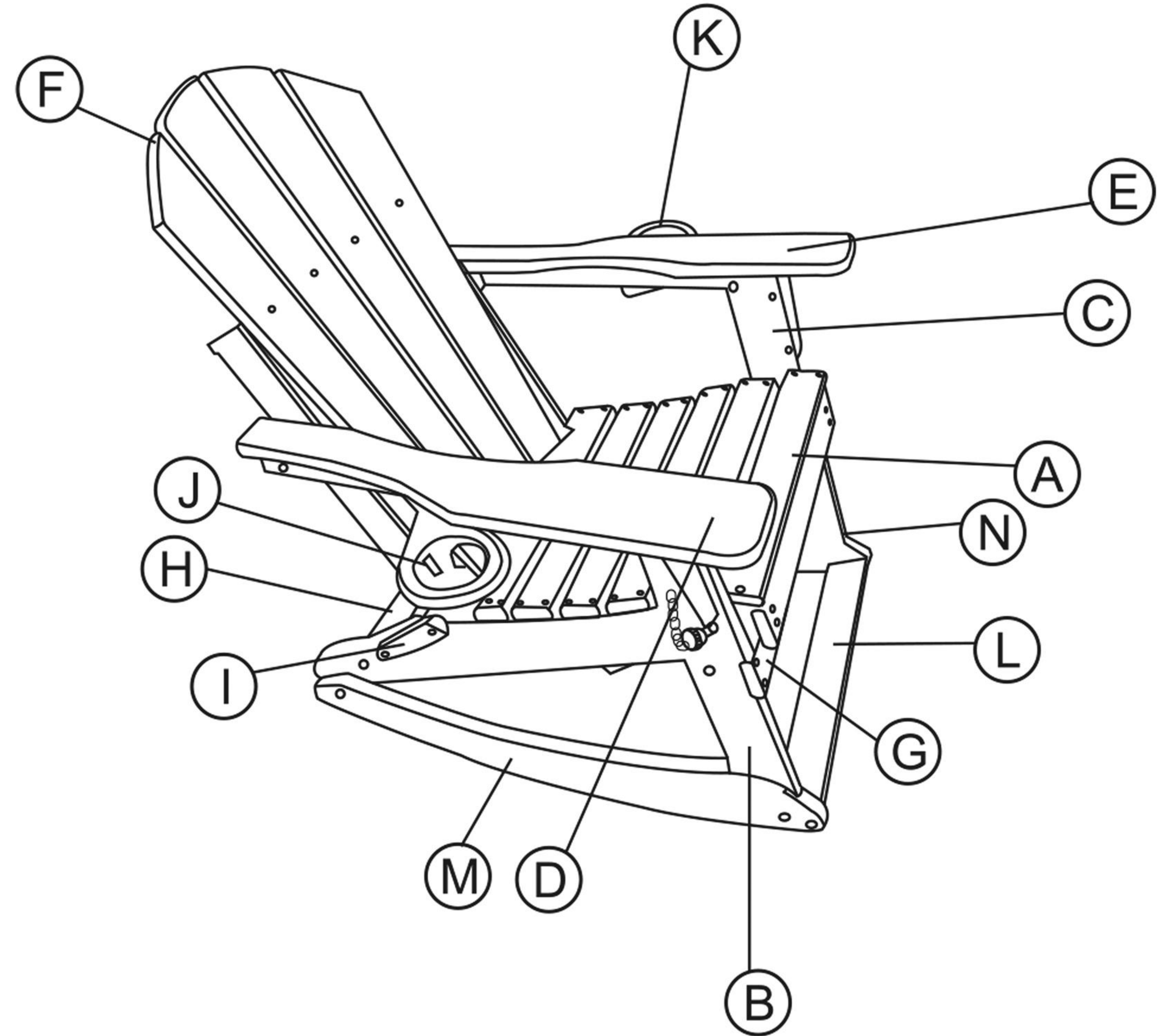
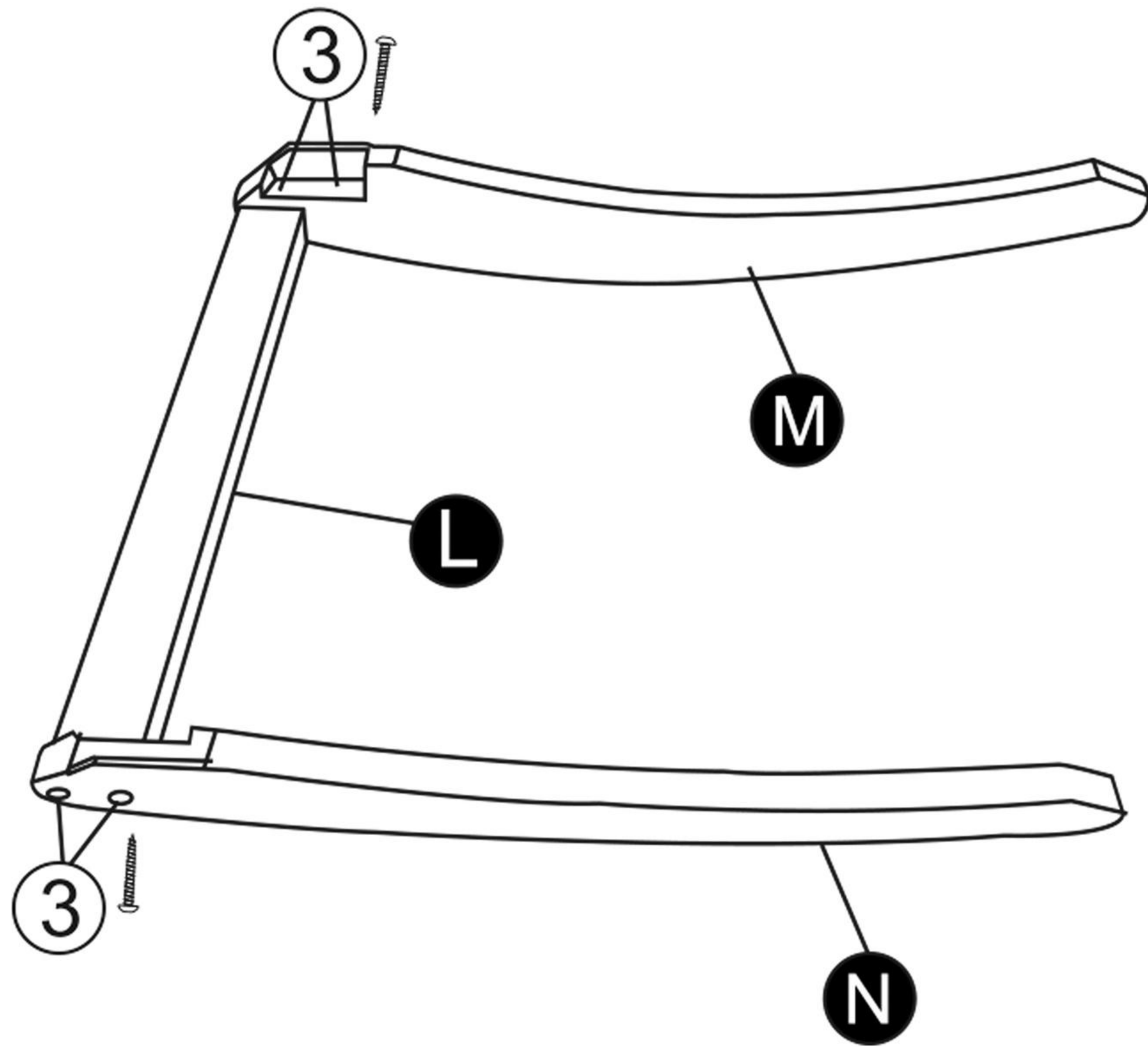


Step 6







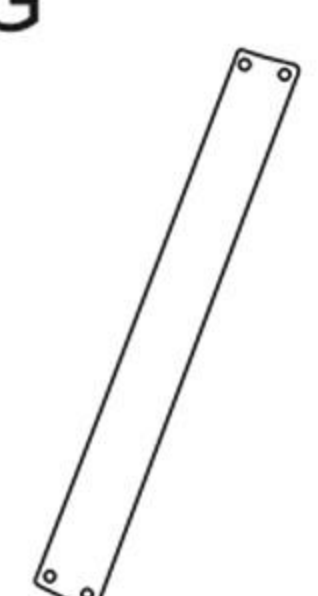









③ M6 x 60mm
Screw

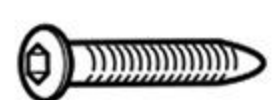
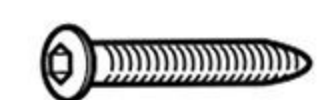
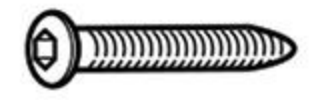

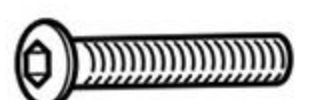

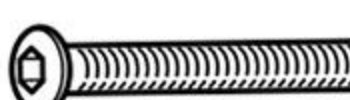




Assemble Part M&N (Rocking panel) to the Part L
using Hardware#3



PARTS LISTS

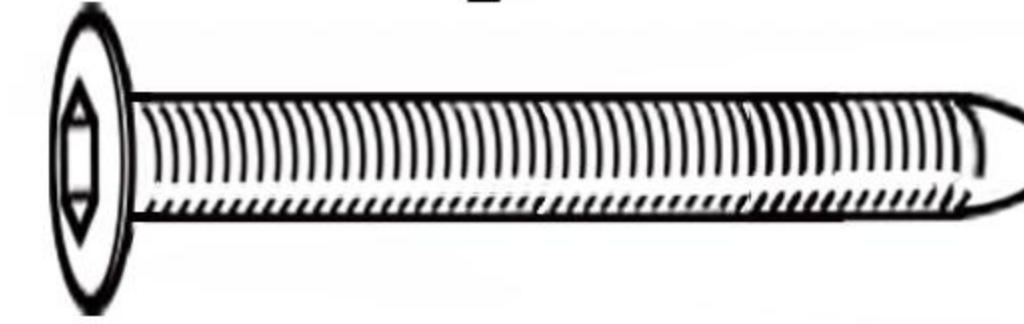
A  1pc	B  1pc	C  1pc	D  1pc	E  1pc
F  1pc	G  1pc	H  1pc	I  2pcs	J  1pc
K  1pc	L  1pc	M  1pc	N  1pc	

HARDWARE LIST

#1 M6 x 40mm Screw  2pcs	#2 M6 x 50mm Screw  6pcs	#3 M6 x 60mm BOLT  4pcs	#4 M6 x 30mm Screw  2pcs	#5 M6 x 50mm BOLT  2pcs	
#6 M6 x 60mm  6pcs	#7 M6 x 80mm BOLT  2pcs	#8 SPANNER  1pc	#9 ALLEN KEY 4S  1pc	#10 M6 Washer  10 pcs	#11 M6 NUT  10 pcs

Assembly Procedure

Step 5



① M6 x 40mm
Screw

Connect Part H to the Seat Panel by using Hardware#1



② M6 x 50mm
Screw

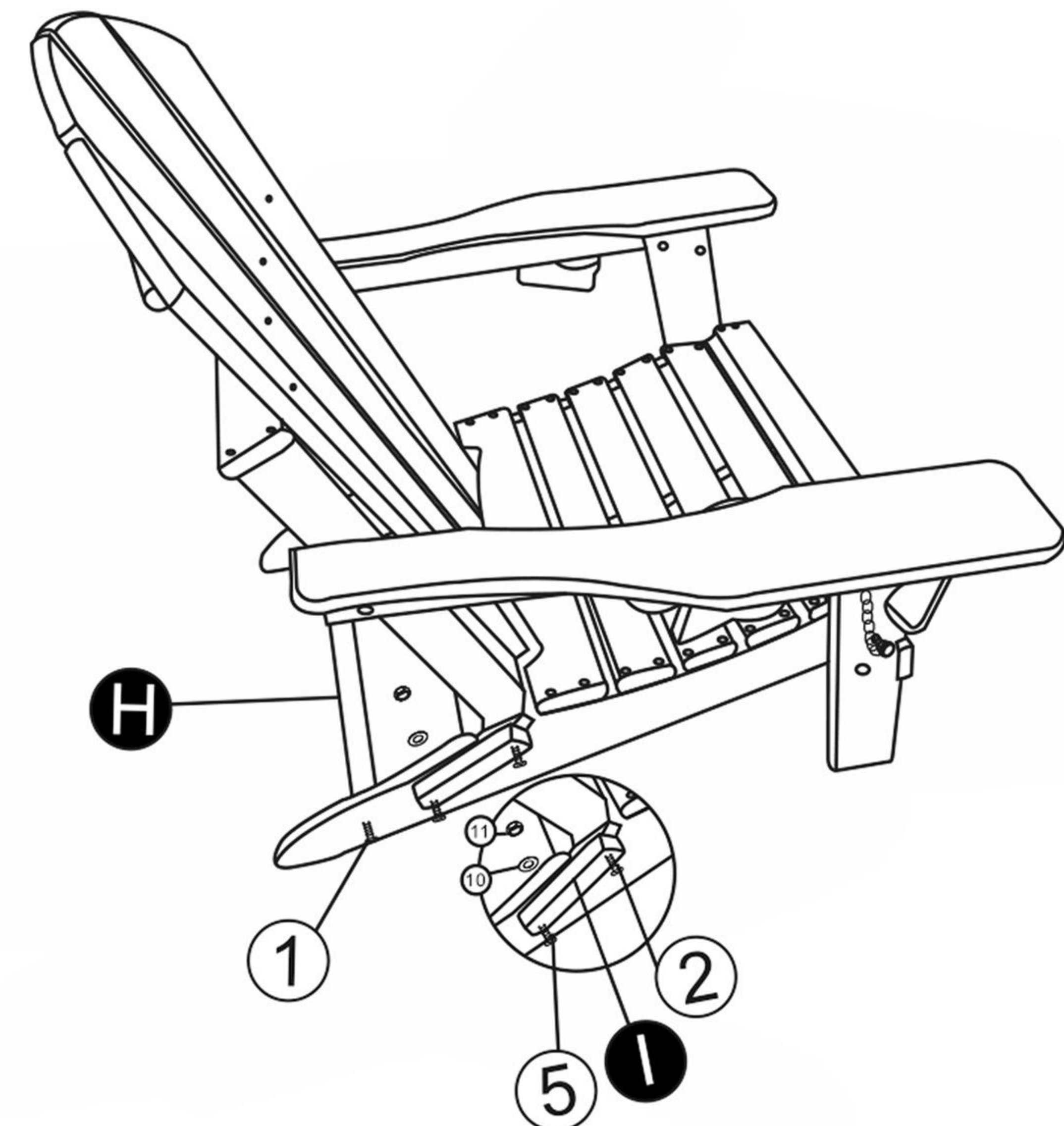


⑤ M6 x 50mm
Bolt

Secure the Upper-hole of Part I to the Back Panel using Hardware#2

Secure the Lower-hole of Part I to the Seat Panel using

Hardware#5, Washer#10, Nuts#11



Step 3



② M6 x 50mm
Screw

Secure Part G to Part B & C using Hardware#2

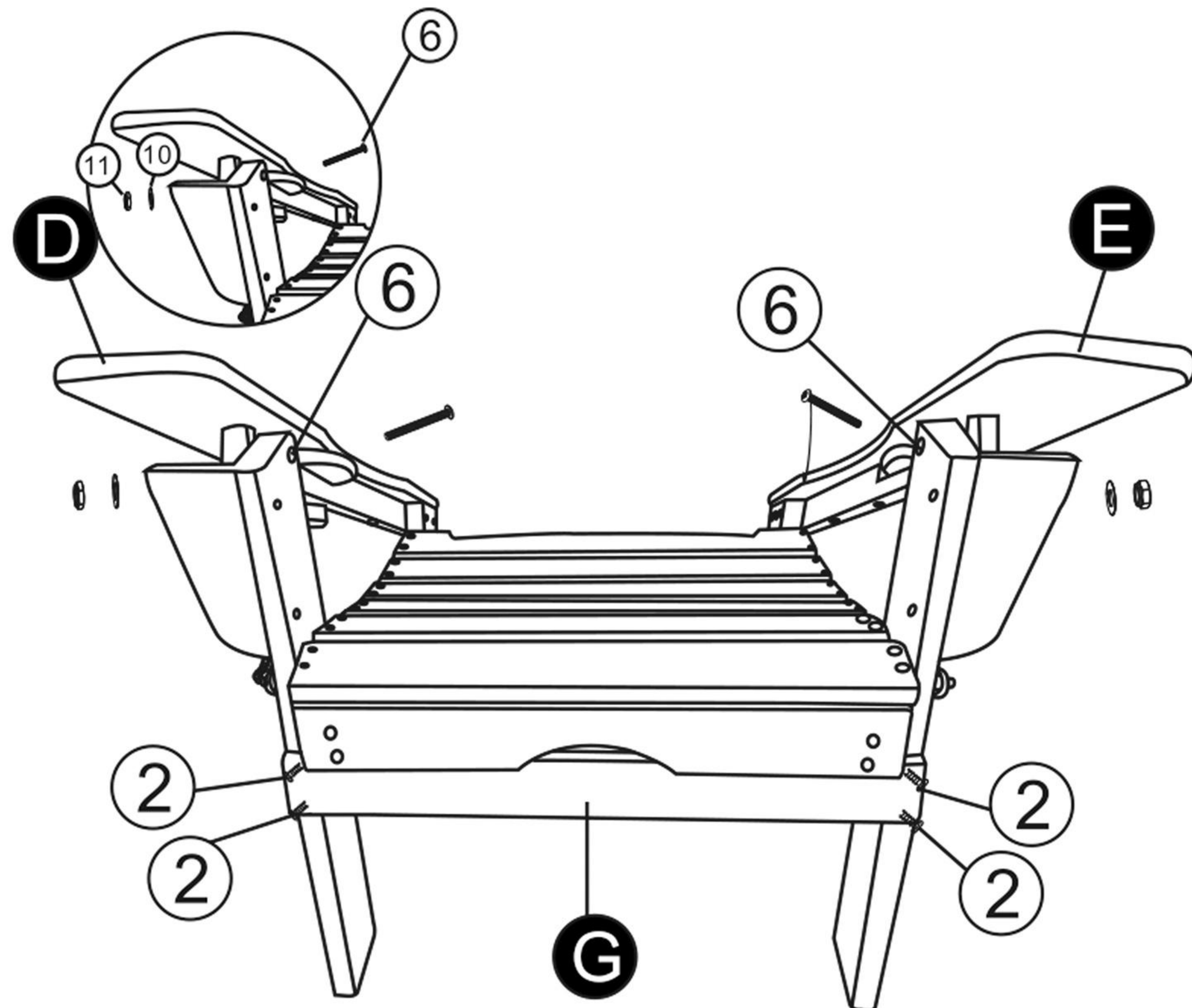


④ M6 x 60mm
Bolt

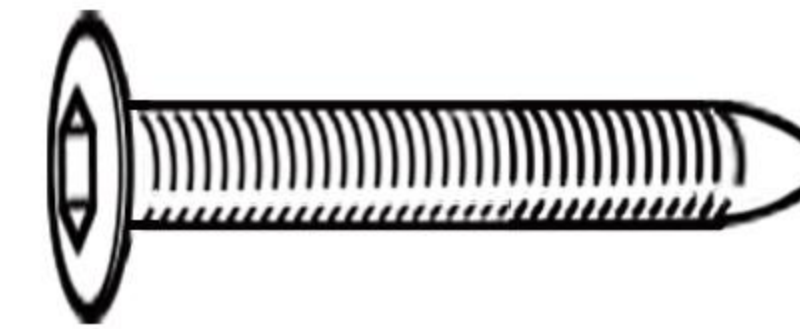
Assemble Part D(Right Arm) to the Right Leg,

Assemble Part E(Left Arm) to the Left Leg,

using Hardware#6,Washer#10,Nut#11



Step 2

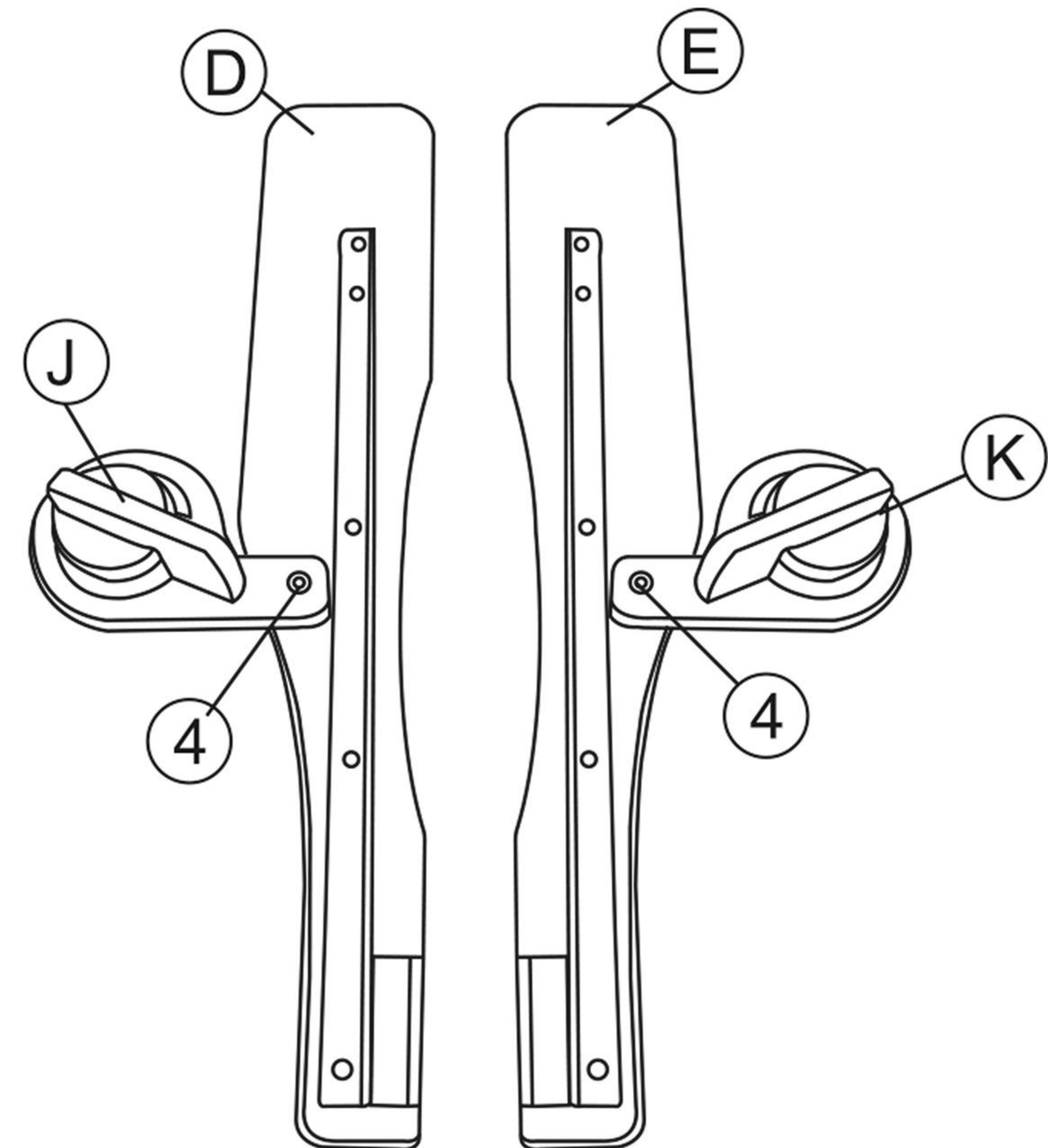


④ M6 x 30mm
Screw

Assemble Part J (Cupholder) to Part D (Aramrest)

Assemble Part K (Cupholder) to Part E (Aramrest)

using Hardware#4



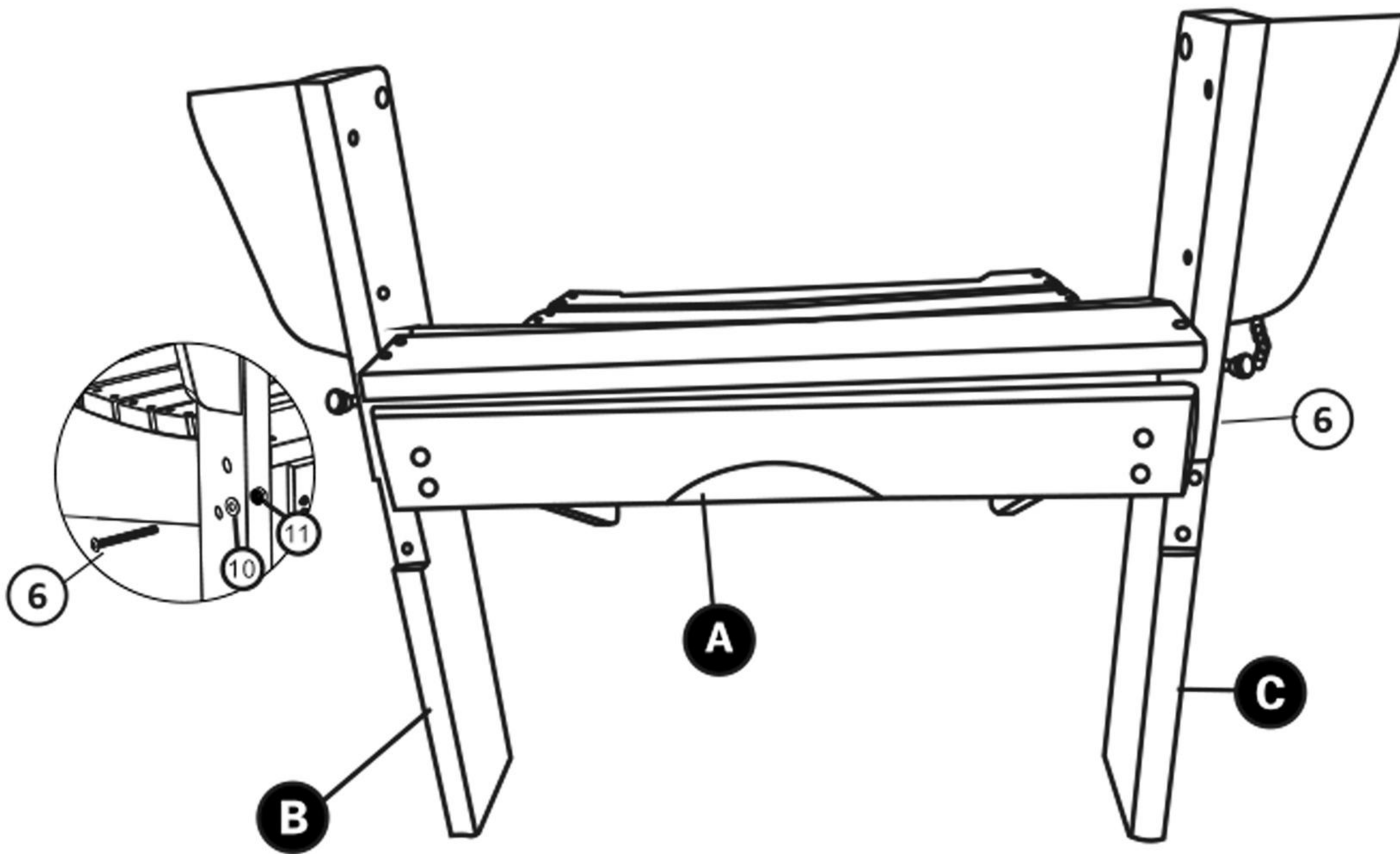
Assembly Procedure

Step 1



⑥ M6 x 60mm Bolt

Assemble Part B&C to the PartA (seat panel) using Hardware#6,Washer#10,Nuts#11
Tighten the chain Bolts on both legs.



Assembly Procedure

Step 4



⑦ M6 x 80mm Bolt

Assemble Part F(Back Panel) to the Armrests using Hardware#7,Washer#10,Nuts#11

