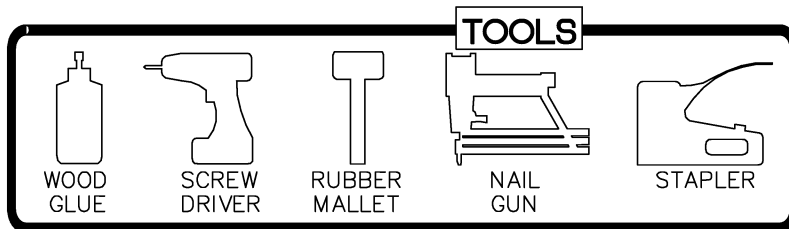
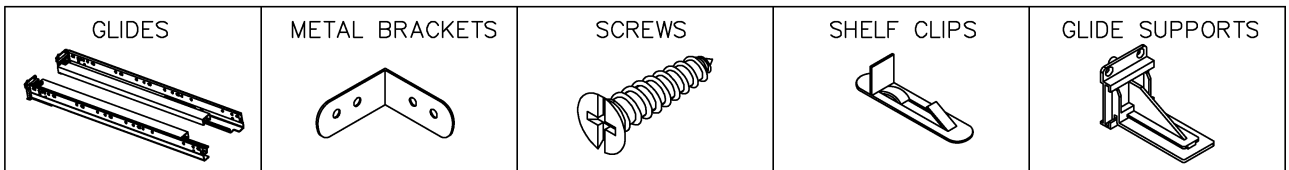
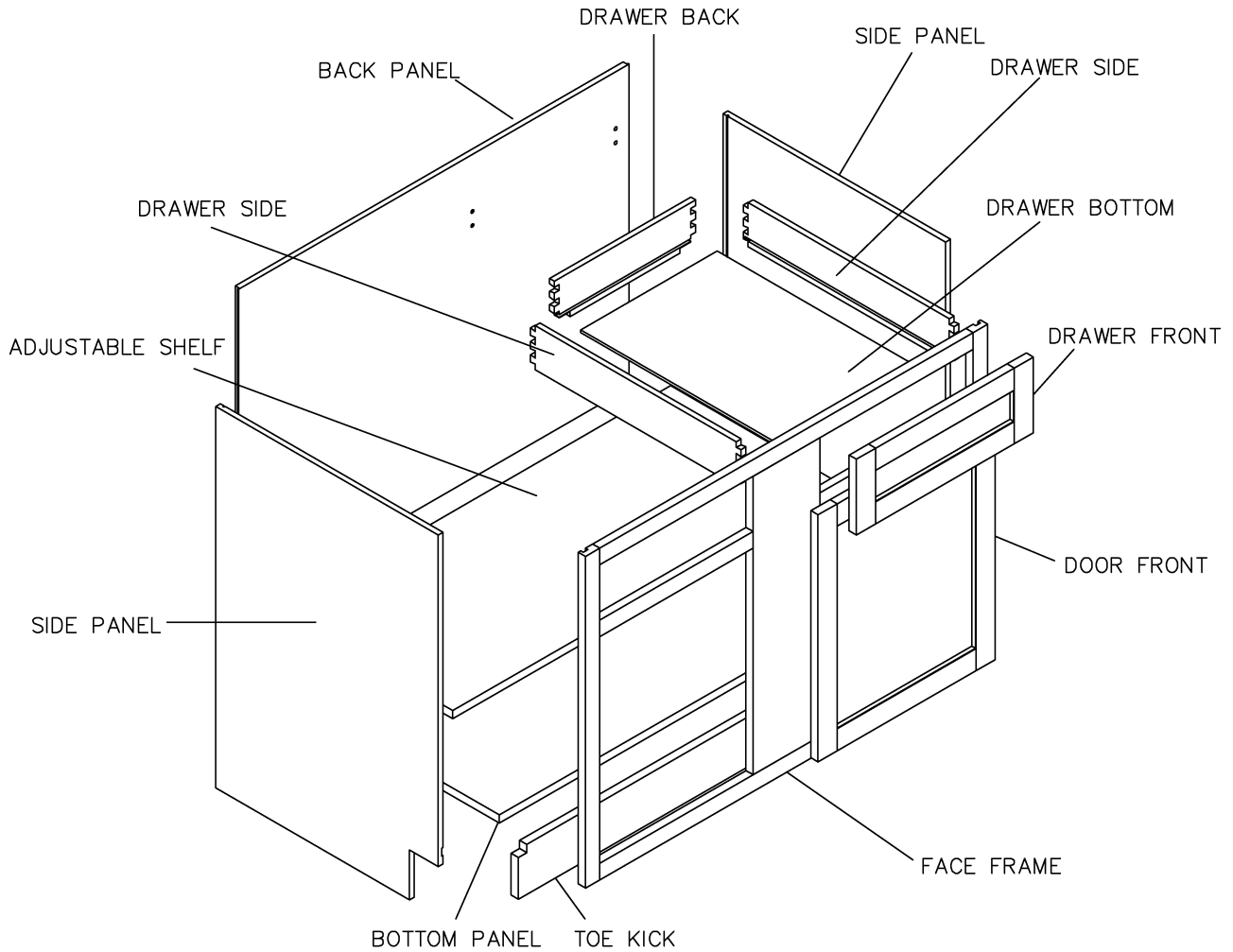
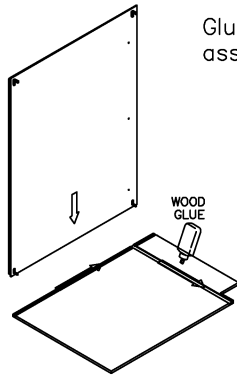


ASSEMBLY INSTRUCTIONS - BLIND BASE CORNER CABINET



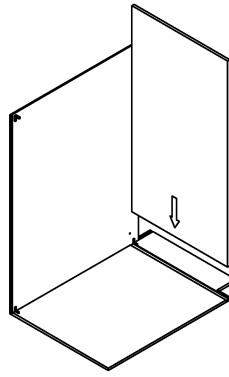
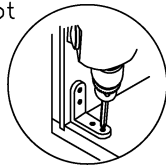
This instruction applies to the following items:
BBC33-9

STEP 1

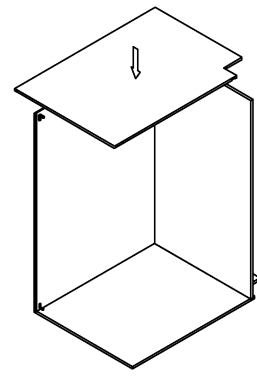


Glue each assembly slot

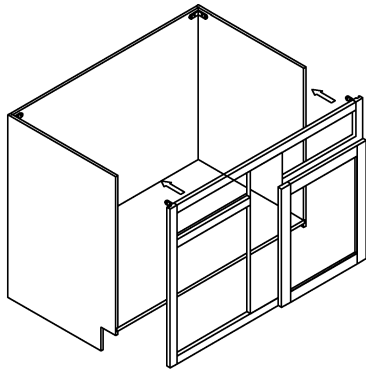
STEP 2



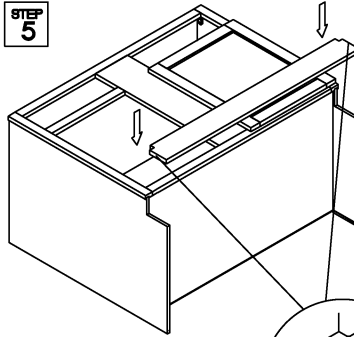
STEP 3



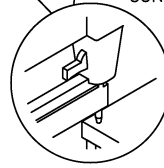
STEP 4



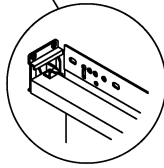
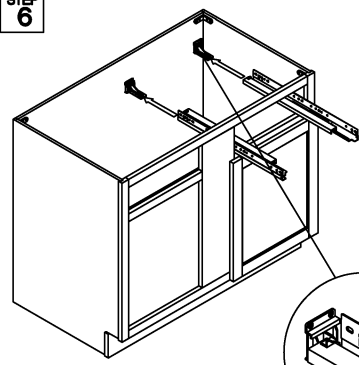
STEP 5



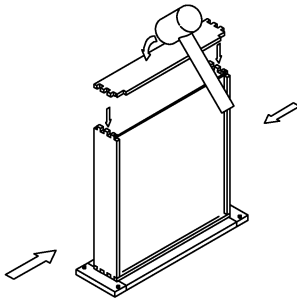
NAIL GUN



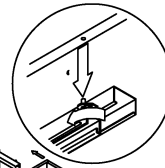
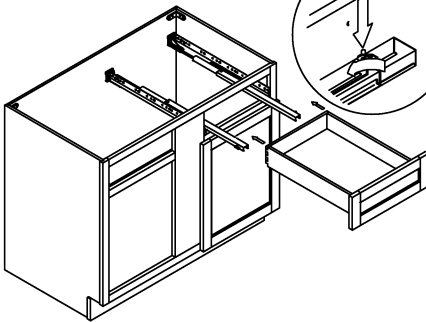
STEP 6



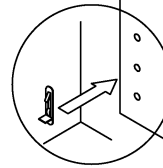
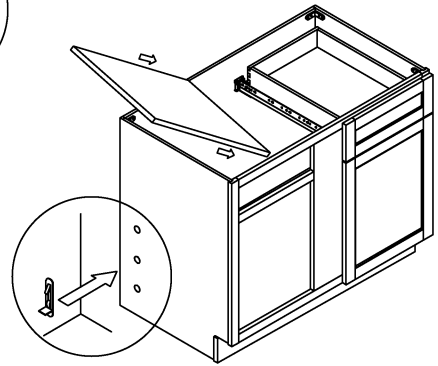
STEP 7



STEP 8



STEP 9



STEP 10

