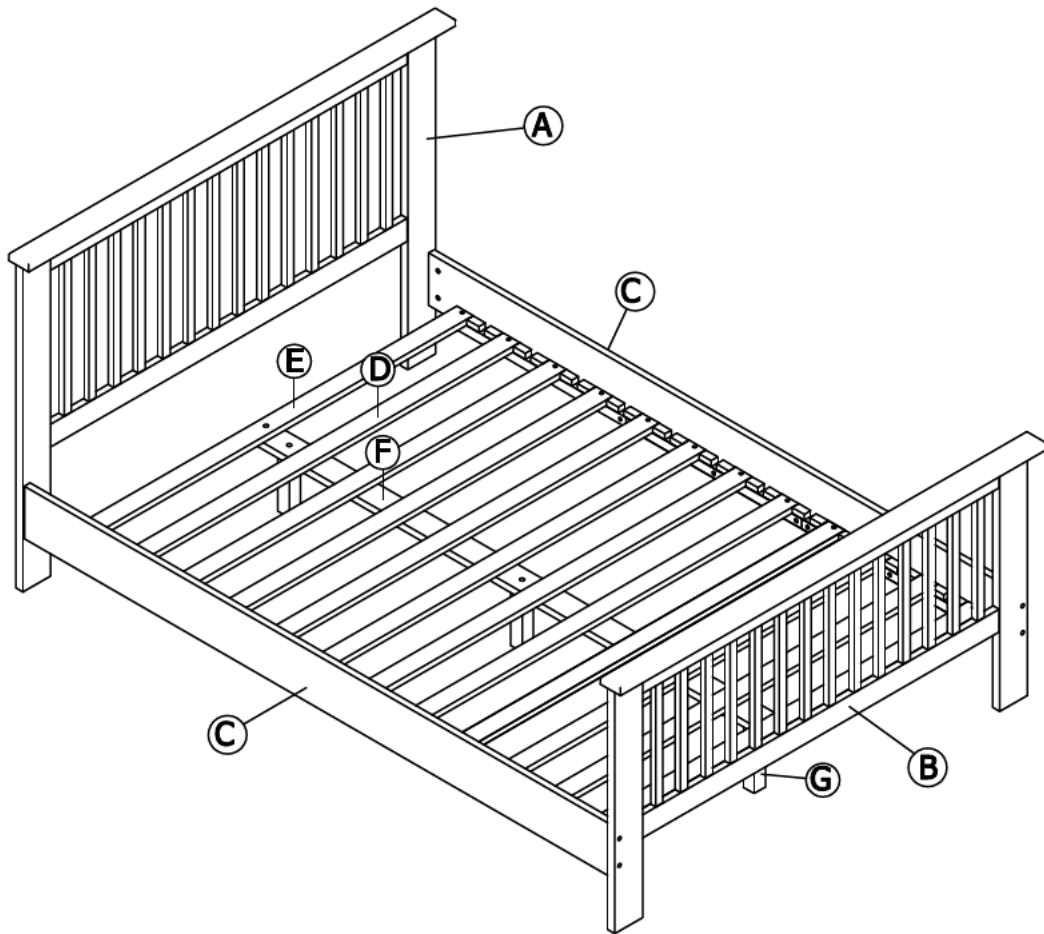


ASSEMBLY INSTRUCTION

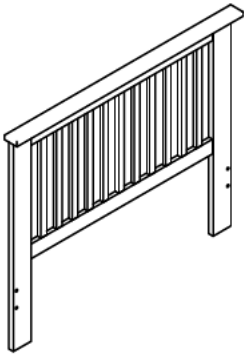
DOUBLE & KING



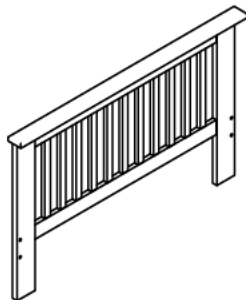
PARTS LIST & ILLUSTRATION

Hardware

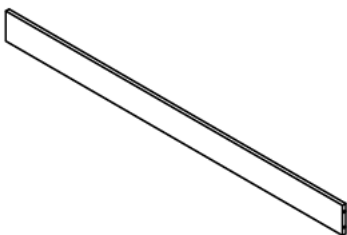
A = 1 PC



B = 1 PC



C = 2 PCS



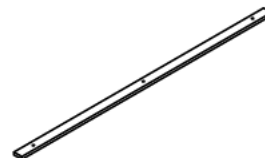
D = 10 PCS



E = 2 PCS




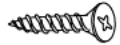




F = 1 PC

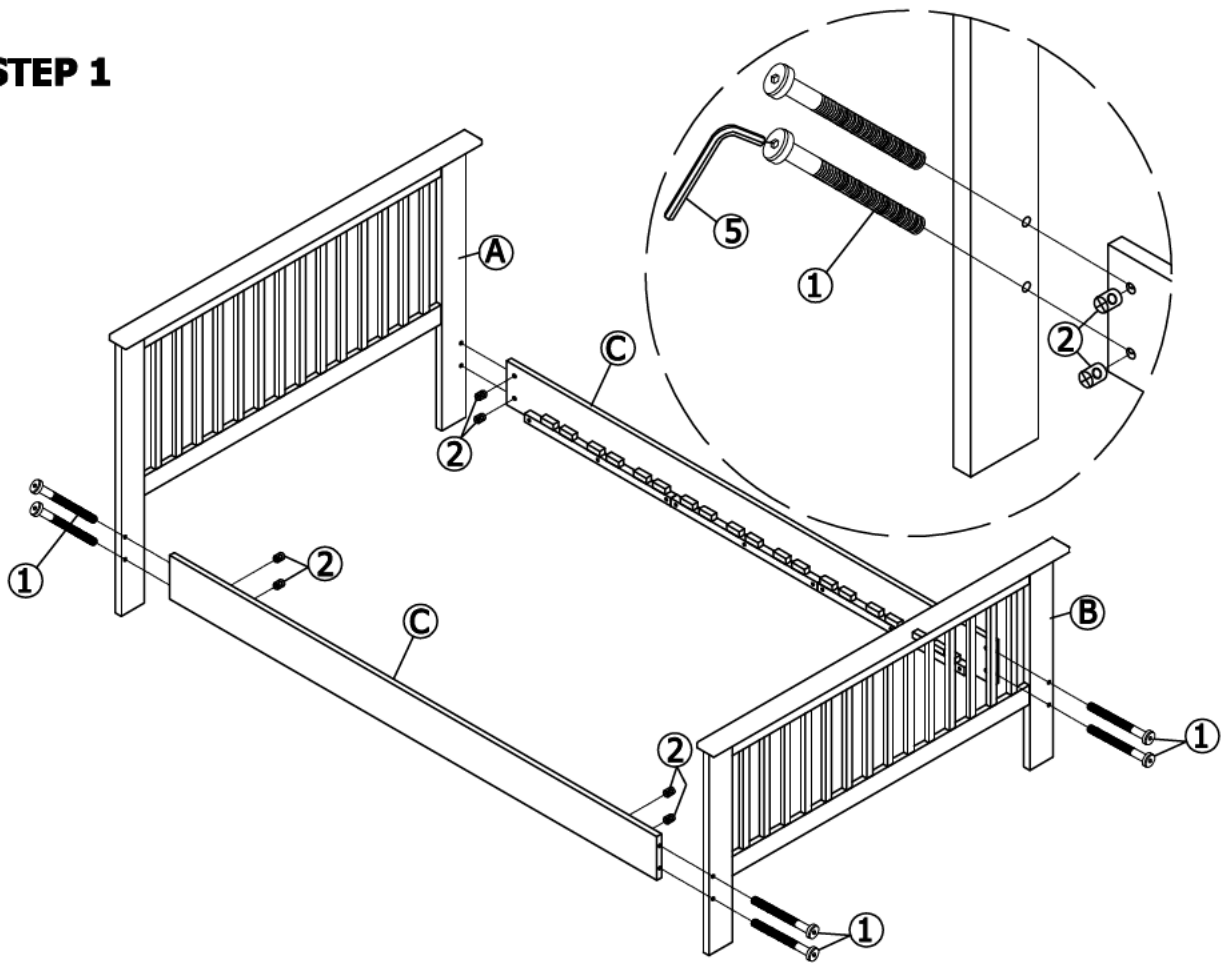


G = 3 PCS

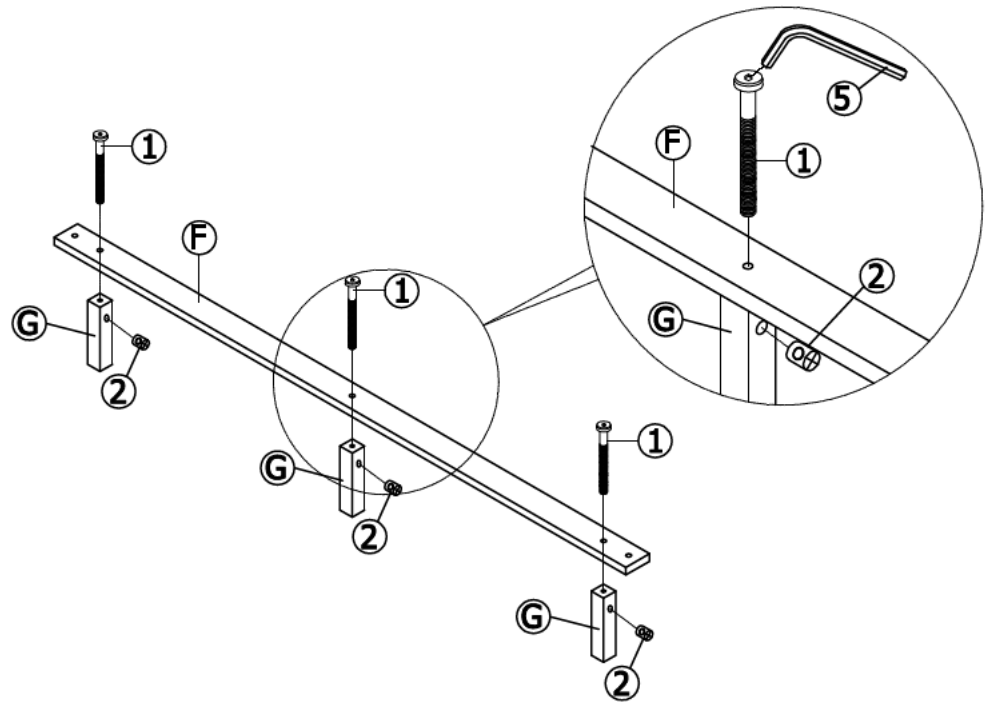


No.	Description	Q.ty
1	Bolt Ø1/4" x 65mm 	11pcs
2	Nut Ø1/4" x 15mm 	11pcs
3	Cap Ø17 x 10mm 	8pcs
4	Screws Ø8*30mm 	24pcs
5	Allen key 	1pc
6	Bolt Ø1/4" x 35mm 	2pcs

STEP 1



STEP 2



STEP 3

