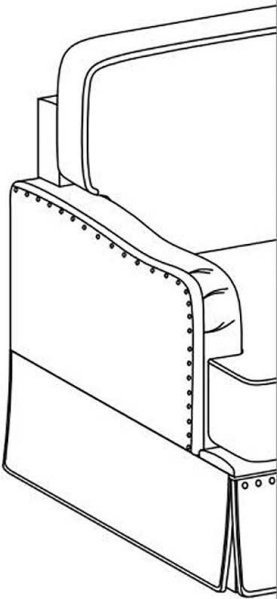


Owner Manual



WARRANTY

We strive to offer high quality product and we also try our best to satisfy each customer that order from us, no matter on products or services as needed. Each customer receives a record of their order, such as the order number or item receipt. For any items that are out of warranty period, you may still be able to purchase the replacement parts from our company if they are available.



MAINTENANCE AND WARNING

Please read the manual thoroughly
before you start installing.

Please keep the product away from
sharp object.

Packaging and small parts may have
chocking hazard, please keep them away
from children and pets.

Please clean the product according to each
clean code, check the product description
for more information.

Please keep the product away from
fire.

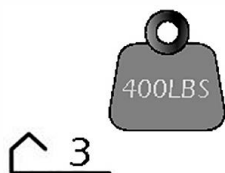
If you have any other questions, please
contact us, we will be glad to help you out.

If the product is placed under direct
sunlight, the pattern or color might fade
away overtime.

Check the product periodically to make
sure everything is secured and tightened.

Always use proper tools for installation.

Do not jump on the product.



Around 35 min

PRODUCT DESCRIPTION

Chenille fabric. Exceptionally soft, fluffy, and skin-friendly to the touch with a plush surface. It provides both visual and tactile warmth, significantly enhancing the product's coziness and comfort.

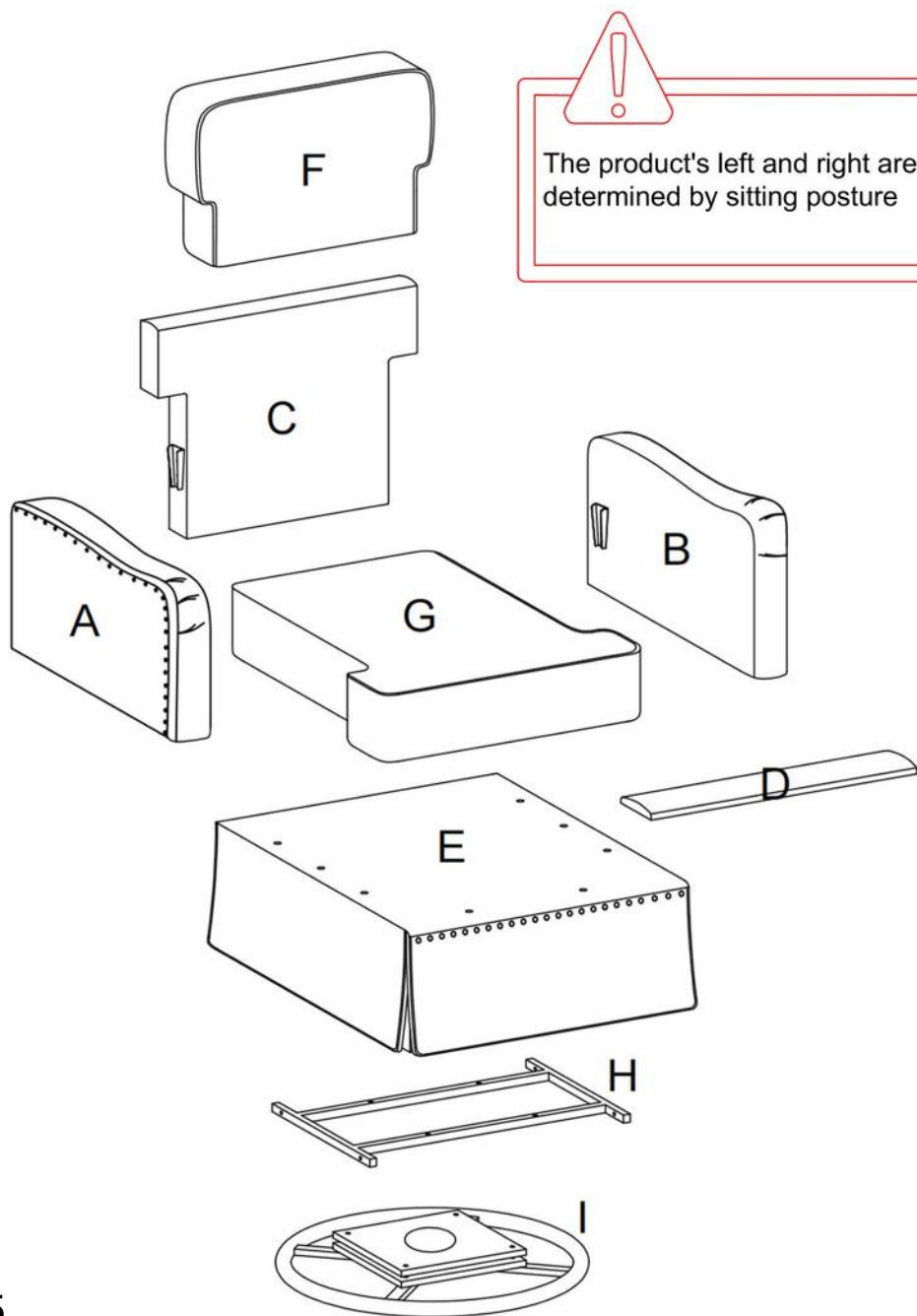
Ergonomic design for comfortable support. The heightened and thickened backrest fully supports the back and shoulders; the well-proportioned armrests provide a natural place for the arms; the plump seat cushion effectively disperses hip pressure, promoting a relaxed sitting posture.

Solid wood frame. A sturdy internal wood frame ensures overall structural stability, high load-bearing capacity, and long-term durability.

Composite filling of foam and spring package. High-density foam provides immediate softness and a sinking-in feel; independent springs ensure firm, deep support and resilience against sagging, offering a plush and long-lasting comfortable seat.

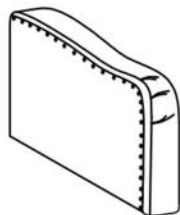
Multi-functional armchair with ottoman set for home use. The armchair comes in swivel version (S) and version with silent casters (W). Features a plump, rounded silhouette. The skirted bottom adds visual layers and a touch of vintage charm, presenting an overall cozy and modern style.

EXPLODED VIEW



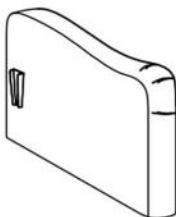
PARTS

A*1



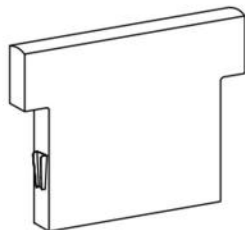
Right arm

B*1



Left arm

C*1



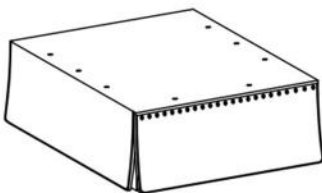
Back frame

D*1



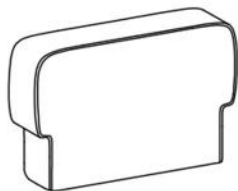
Front panel

E*1



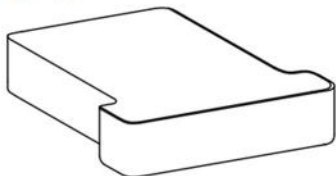
Seat frame

F*1



Back cushion

G*1



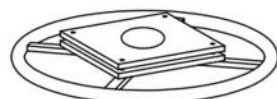
Seat cushion

H*1



Metal frame

I*1



Swivel base

HARDWARE

TOOL LIST

NOTE: Designated with (★) We provide additional spare parts in the hardware package

①*8



★ M6*80mm
Threaded rods

②*4



★ M6*25mm
Bolts

③*4



★ M6*40mm
Bolts

④*16



★ Ø8*22mm
Flat washer

⑤*8



★ Nut

⑥*1



Spanner

⑦*1



Allen key

⑧*8

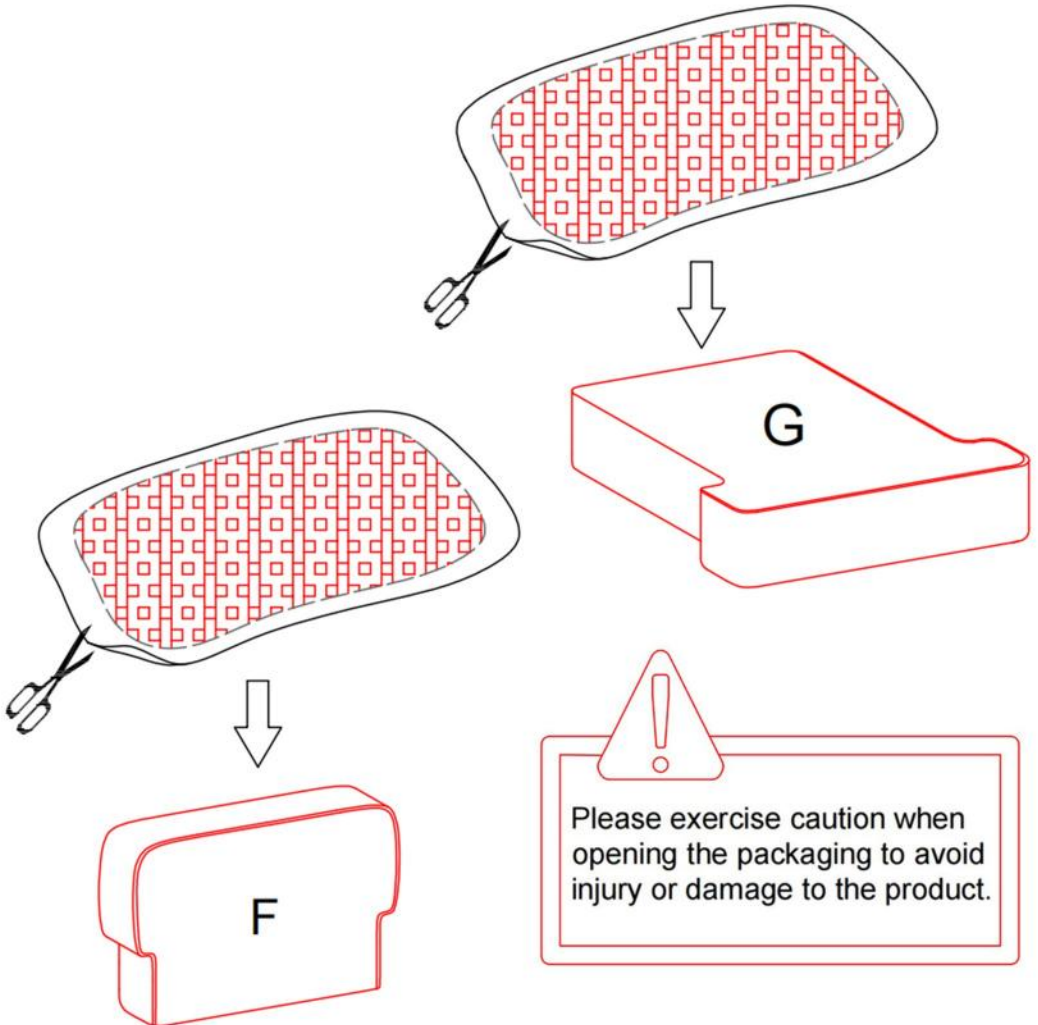


★ Spring washer

Please make sure all hardware & packing material fitting the list. Especially some small accessories may be missing during transportation. Please contact us if you have any question.

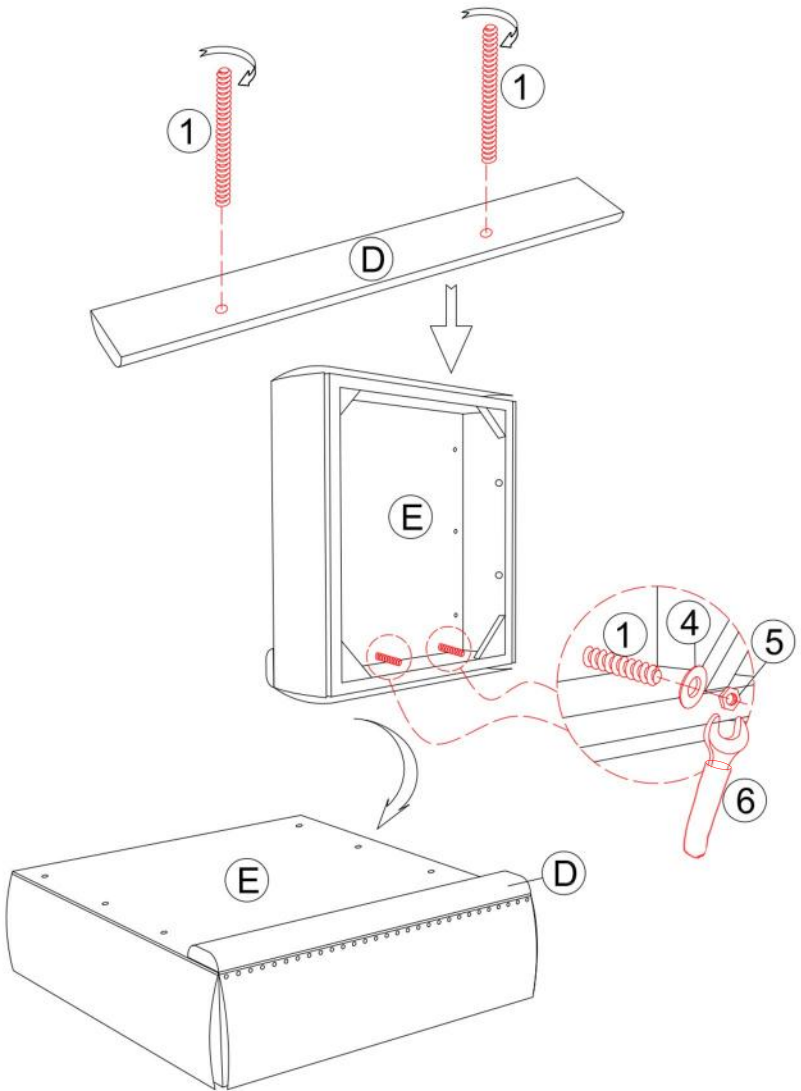
step 1 ---Cut the plastic air compression bags

Cut the plastic air compression bags, and take out the cushion (G&F). Let it recover to its original shape, the whole recovery process might take 48 hours, you may gently slap on it to speed up the process.



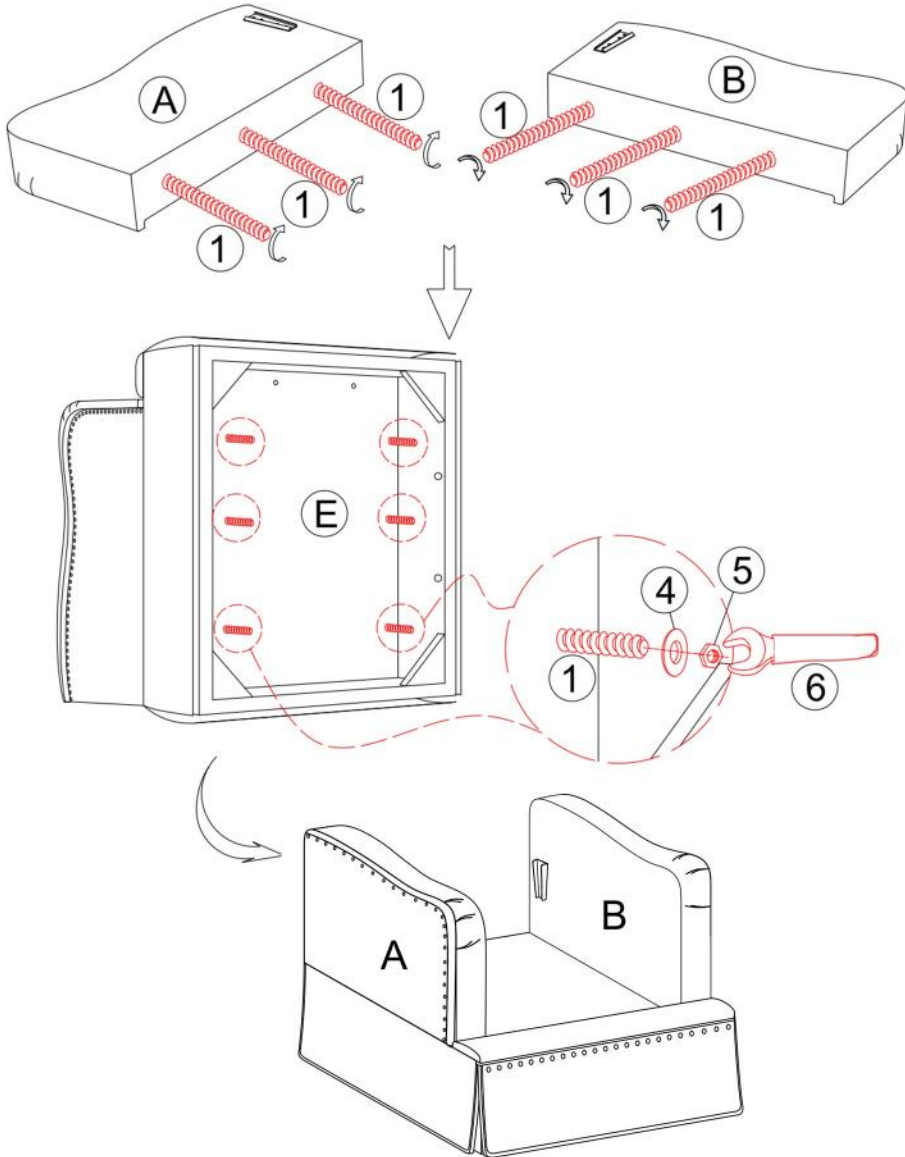
step 2 ---Front Board Assembly

First, screw the bolts (1) into the holes of the seat front board (D). Then, align them with the holes on the seat frame (E). Use washers (4) and nuts (5) to tighten them with the Spanner (6).



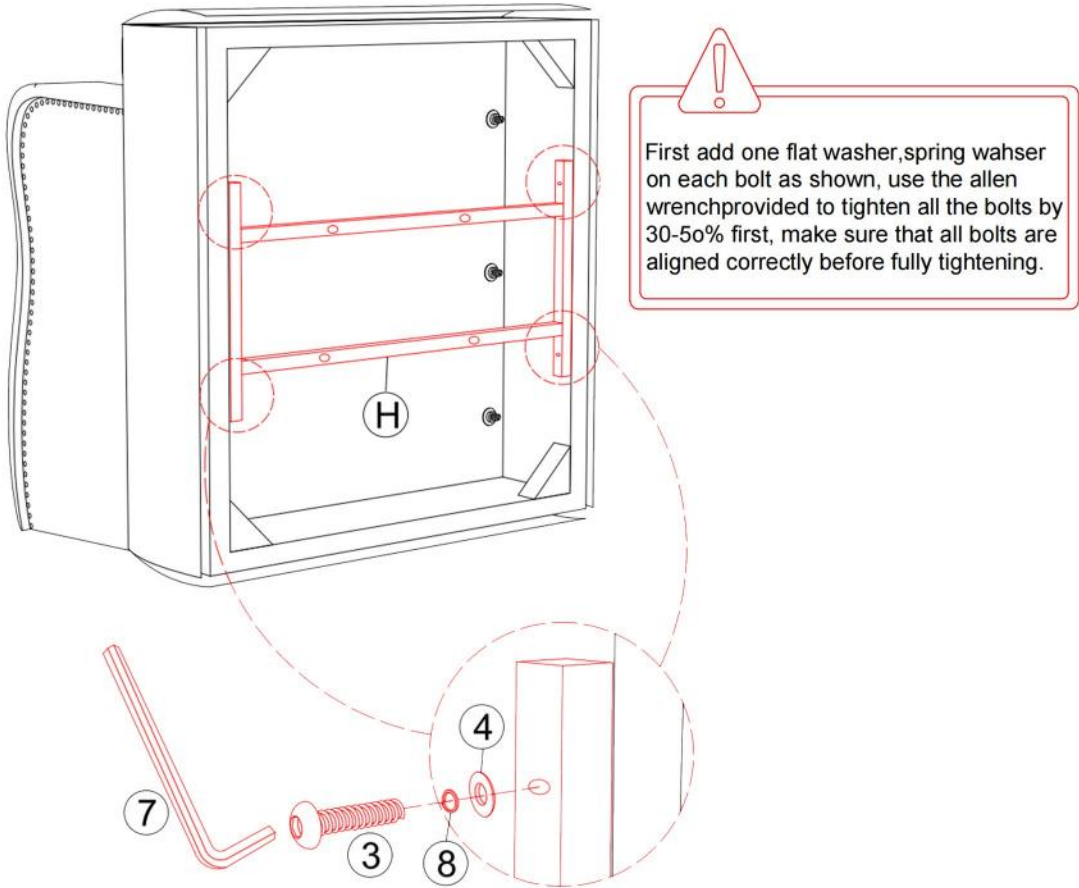
step 3 ---Armrest Attachment

First, screw the bolts (1) into the holes of the armrests (A & B). Align them with the holes on the seat frame (E). Use washers (4) and nuts (5) to tighten them with the wrench (6).



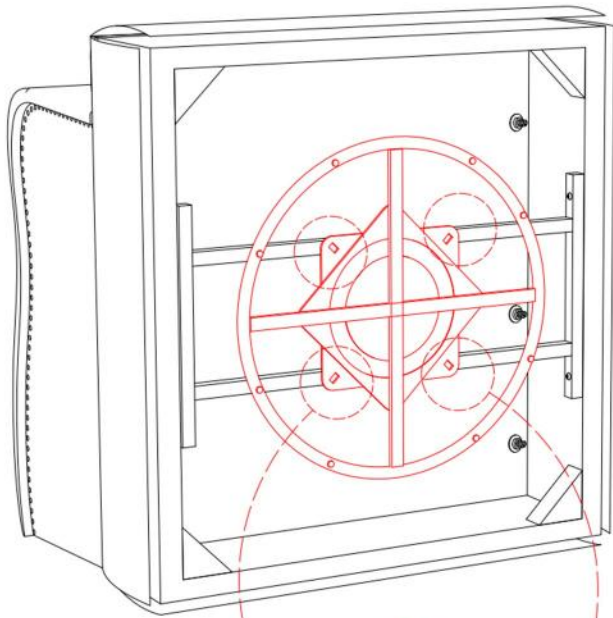
step 4 ---Install the metal frame (H)


Place the bolts (3) through the bolt holes on both metal frame (H) and armrests as shown, then tighten the bolts, make sure all the bolts are fully tightened before next step.

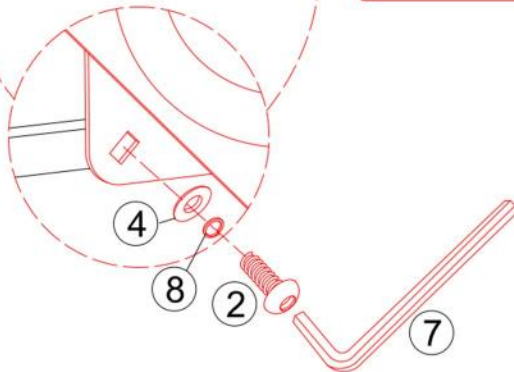


step 5 ---Install the Swivel base (I)

Then install the swivel base (I) onto the metal frame as shown, make sure all the bolts are fully tightened, then uncover the Velcro strip cover on the bottom of the back cloth, and stick the Velcro to the bottom of the back panel.

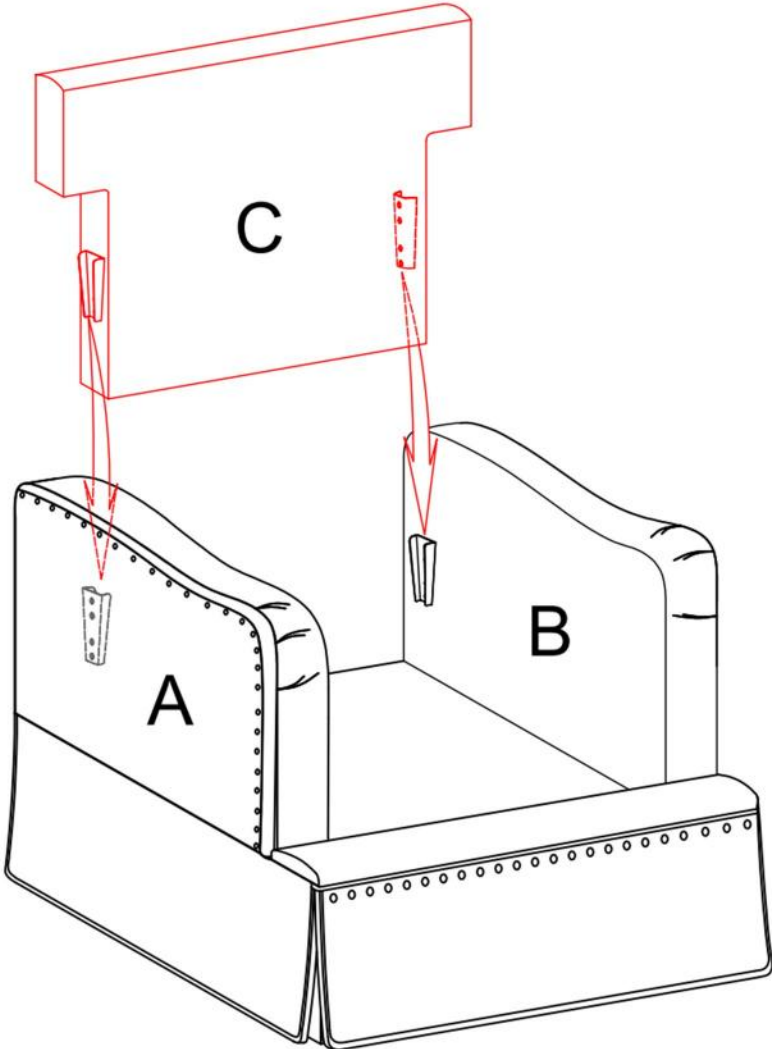



First add one flat washer, spring washer on each bolt as shown, use the allen wrench provided to tighten all the bolts by 30-50% first, make sure that all bolts are aligned correctly before fully tightening.



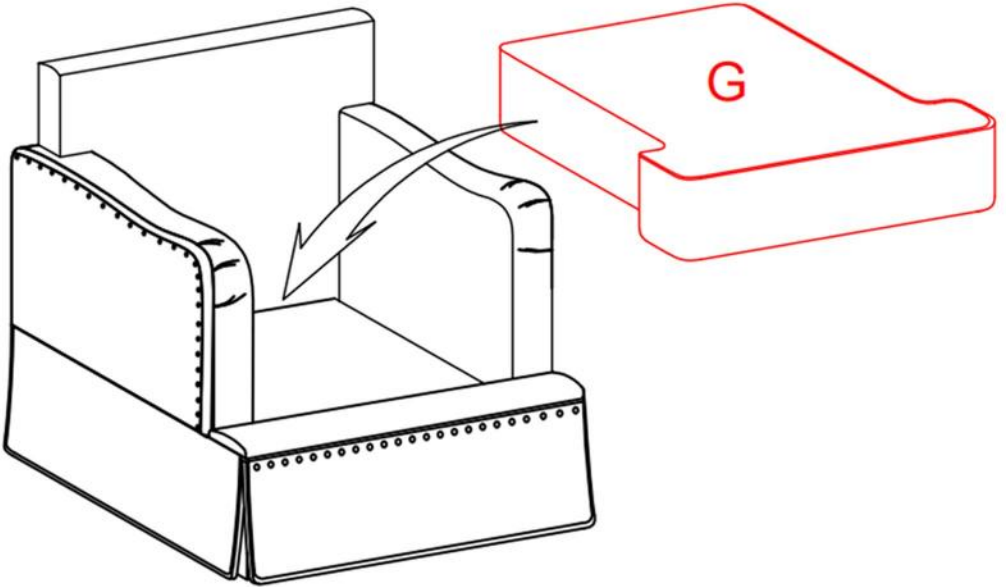
step 6 ---Install the Back frame (C)

Insert the back frame (C) into the metal brackets on the inside of the armrests until it clicks into place.



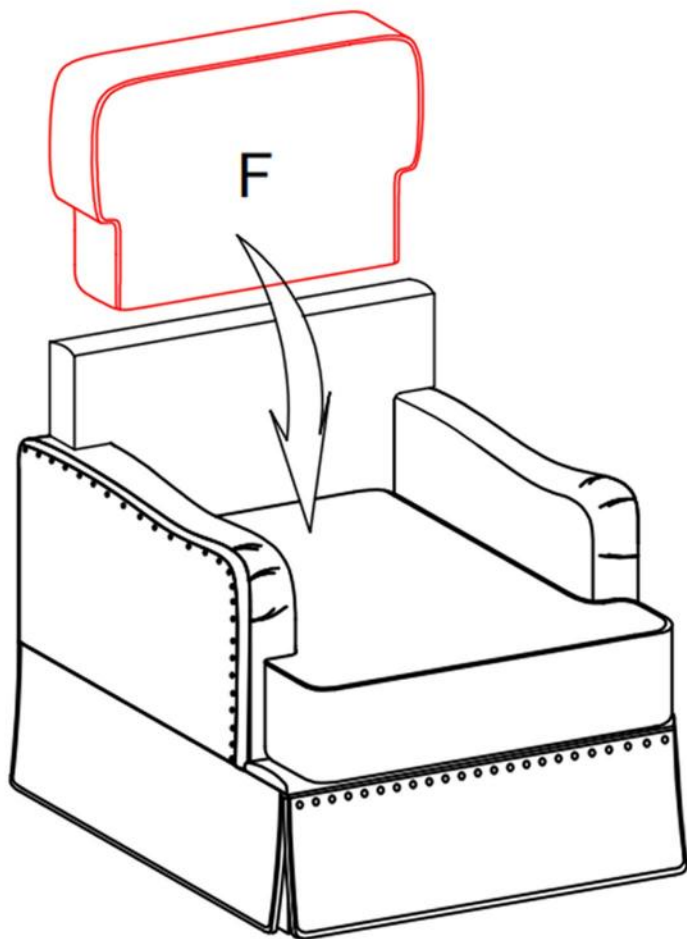
step 7 ---Place the seat cushion (G)

Place the seat cushion (G) on it.



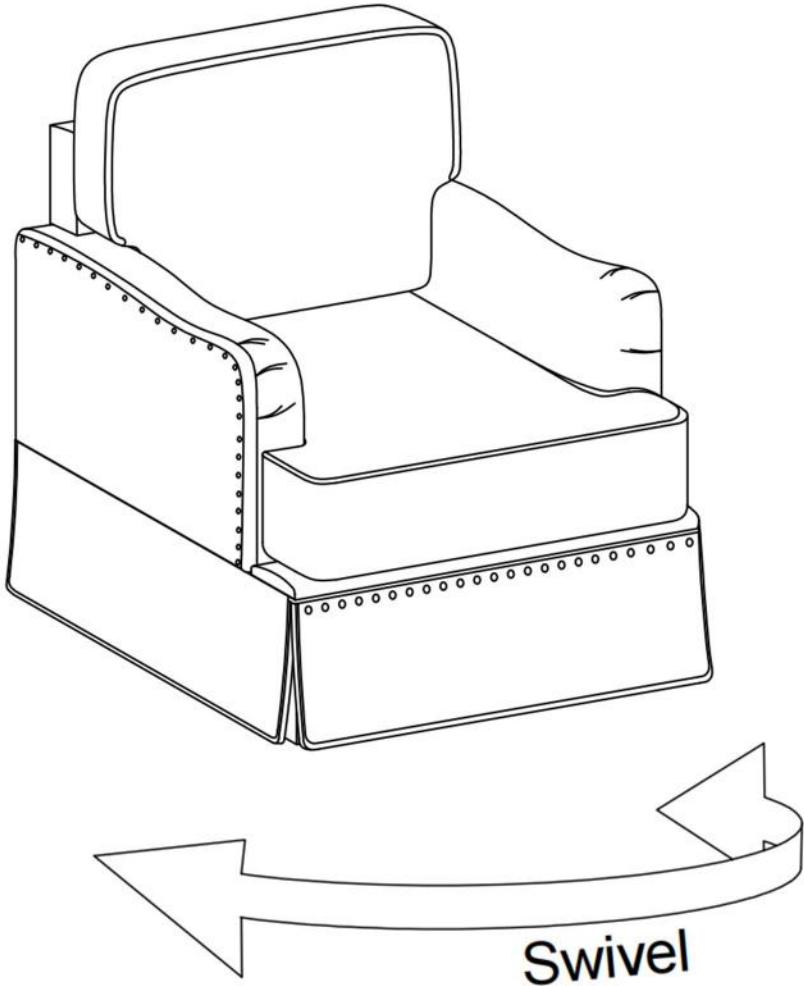
step 8 ---Place the Back cushic

Place the Back cushion (F) on it.



step 9 ---Chair Function Demonstration

The chair can rotate.



step 10 ---Assemble complete

Congratulations! You have finished the assembly, thank you again for choosing our product! Please enjoy!

