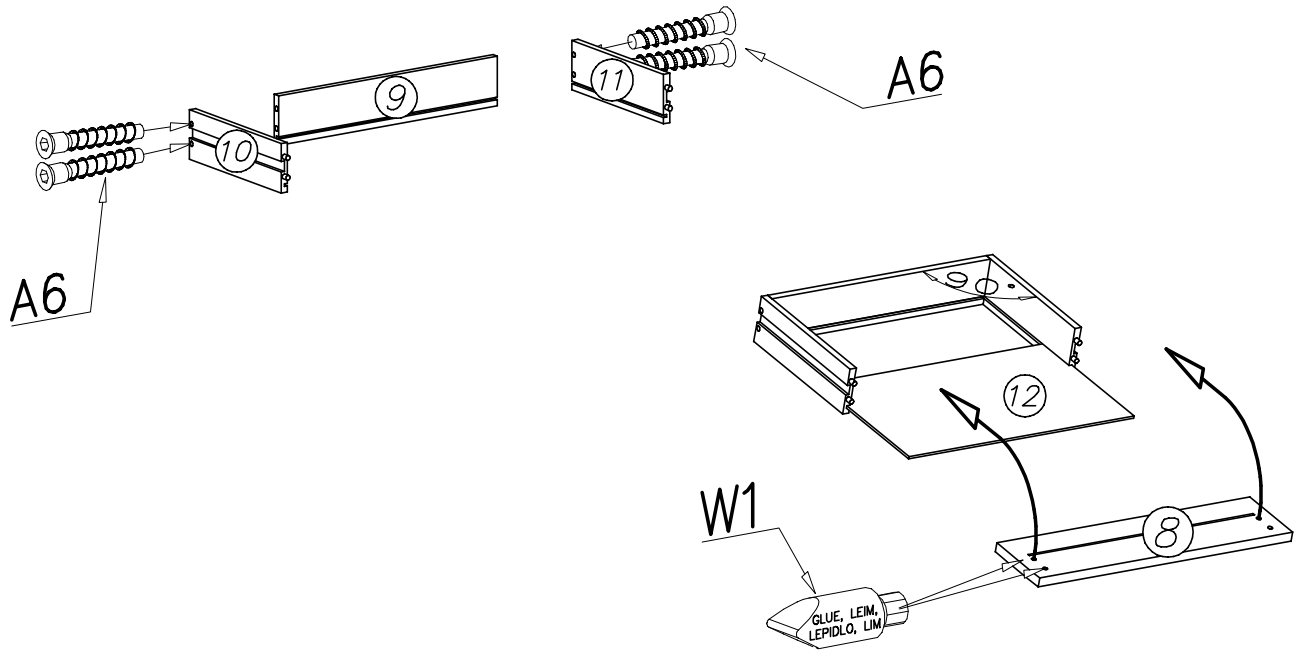


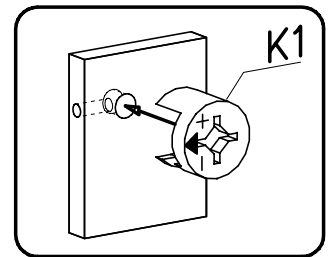
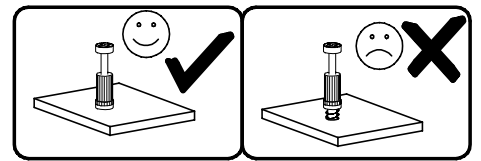
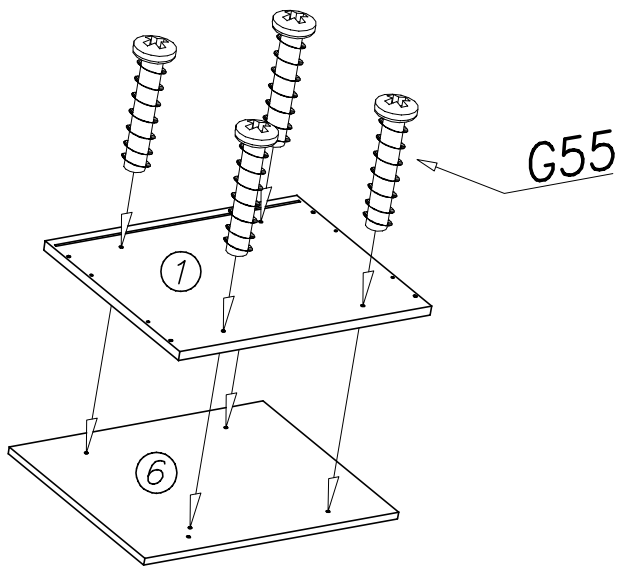
G42		G34	
6x14	x...(4)	3,5x16	x...(1)

U15L		U15R		H2		246mm	x...(2)	F4		x...(1)
K1		G55		N1		l1		W1		x...(1)
Ø15x12	x...(8)	6x22	x...(4)	M4x9	x...(2)		x...(2)		GLUE, LEIM, LEPIDLO, LIM	x...(1)
K10		G50		W2		A6		B2		x...(8)
	x...(8)	6x13	x...(4)		x...(1)	Ø7x40	x...(4)	Ø6x35		

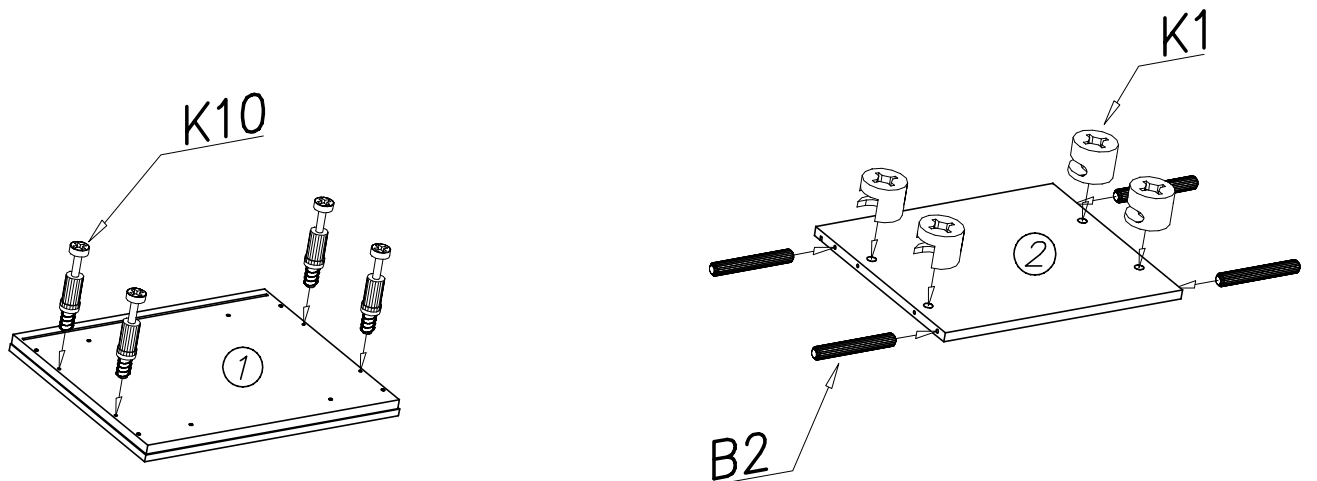
I



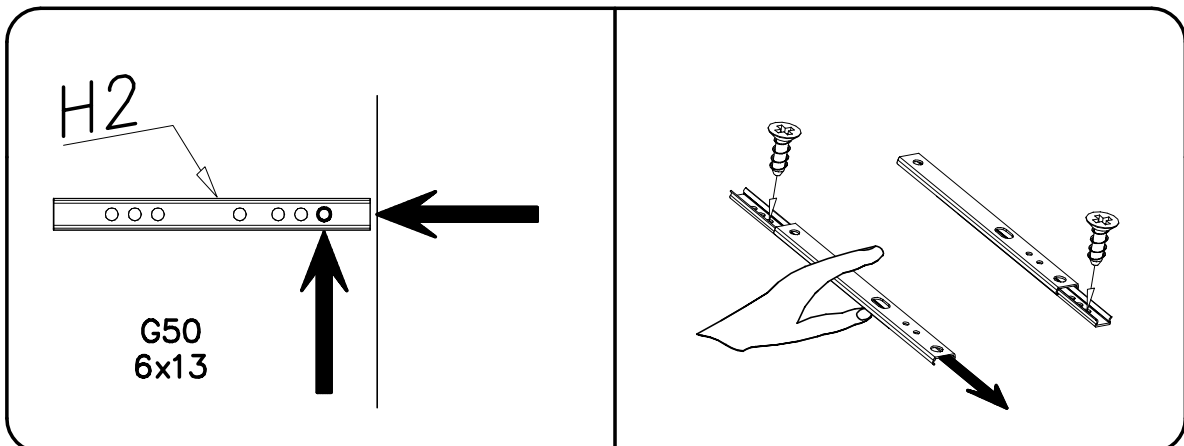
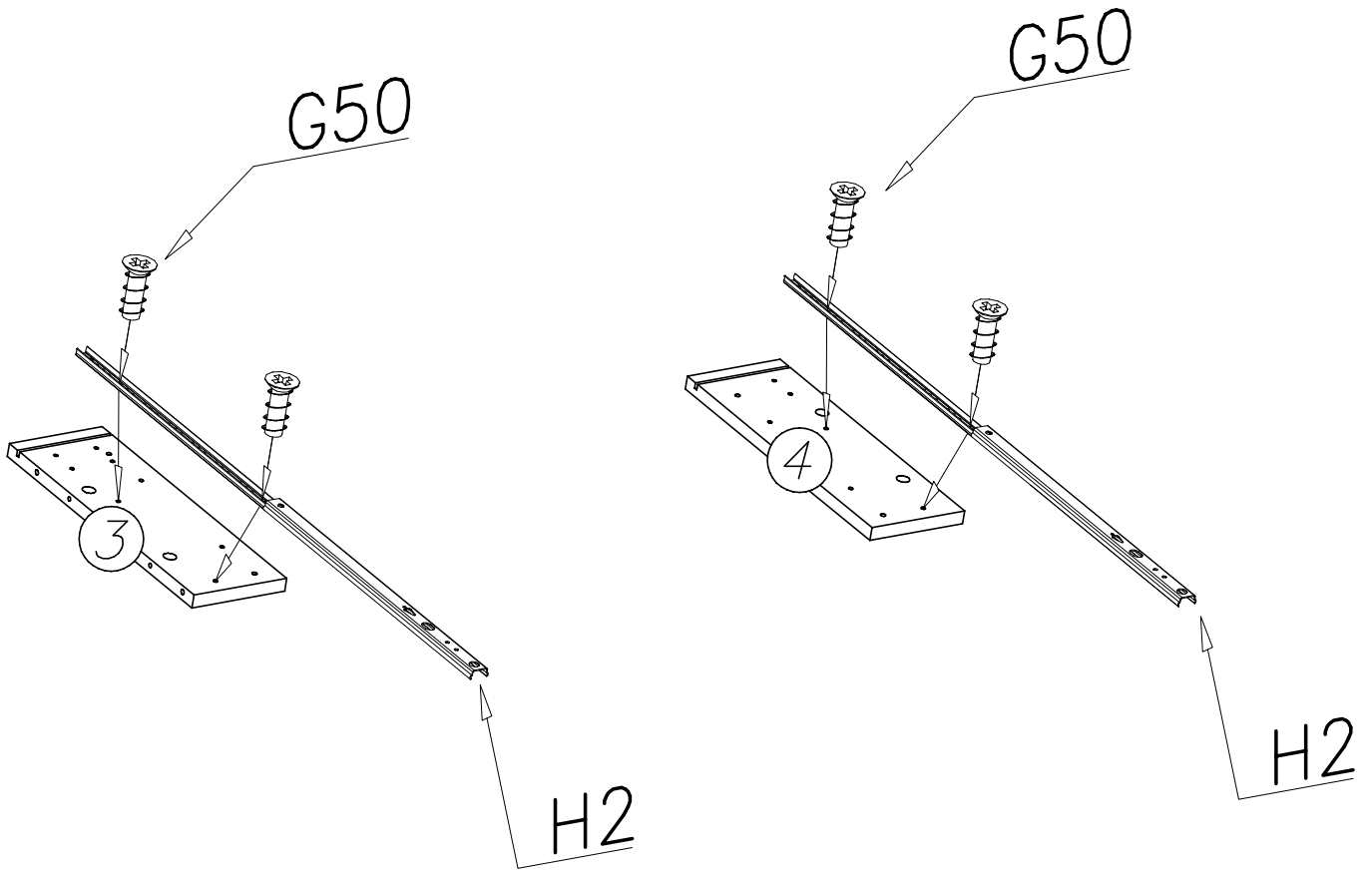
II



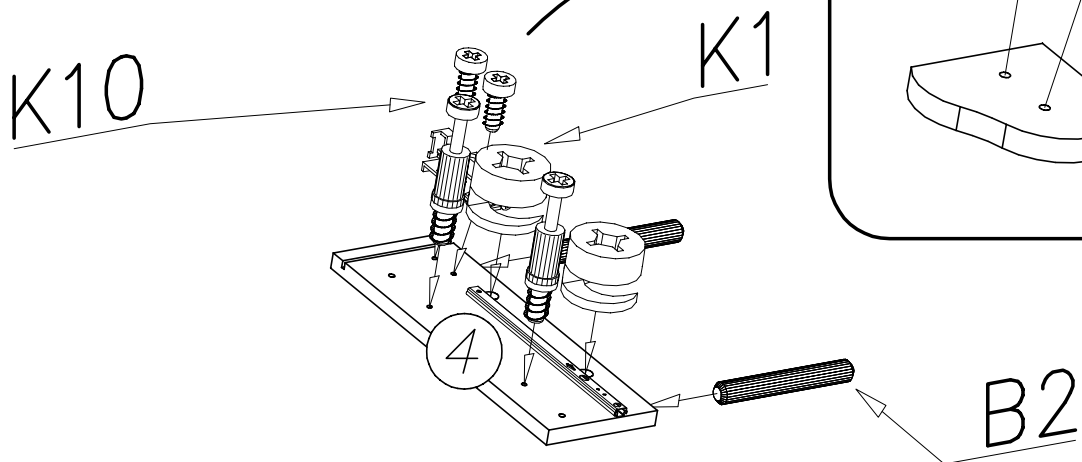
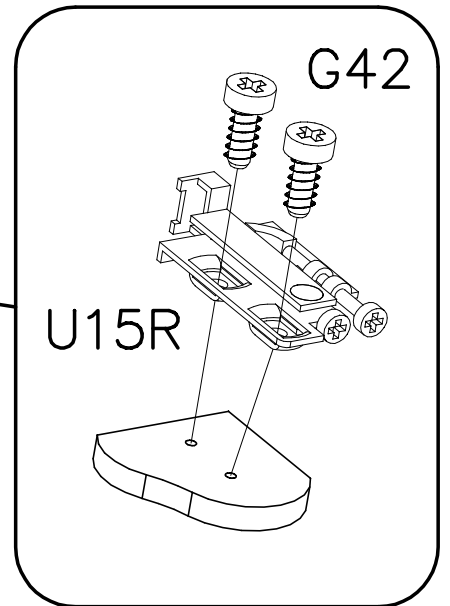
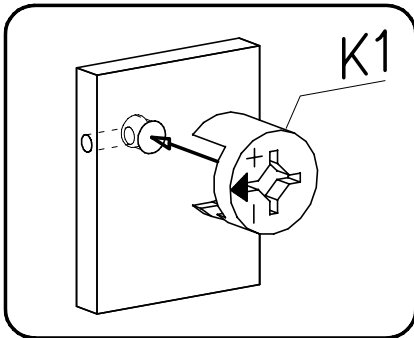
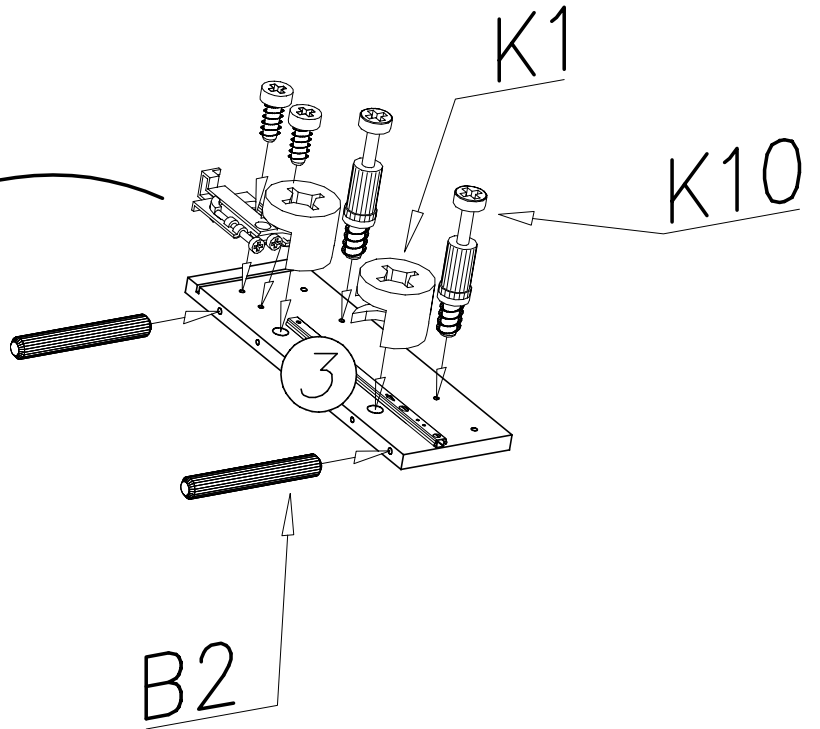
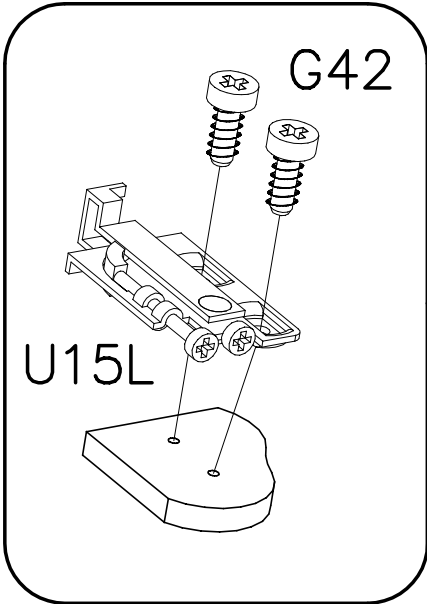
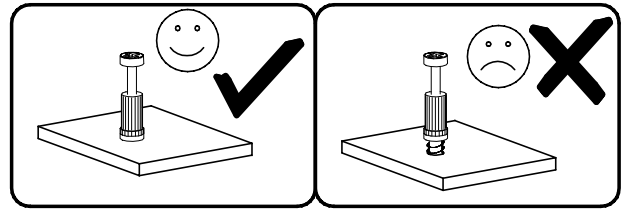
II



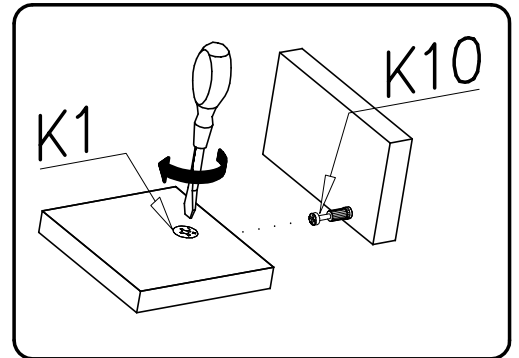
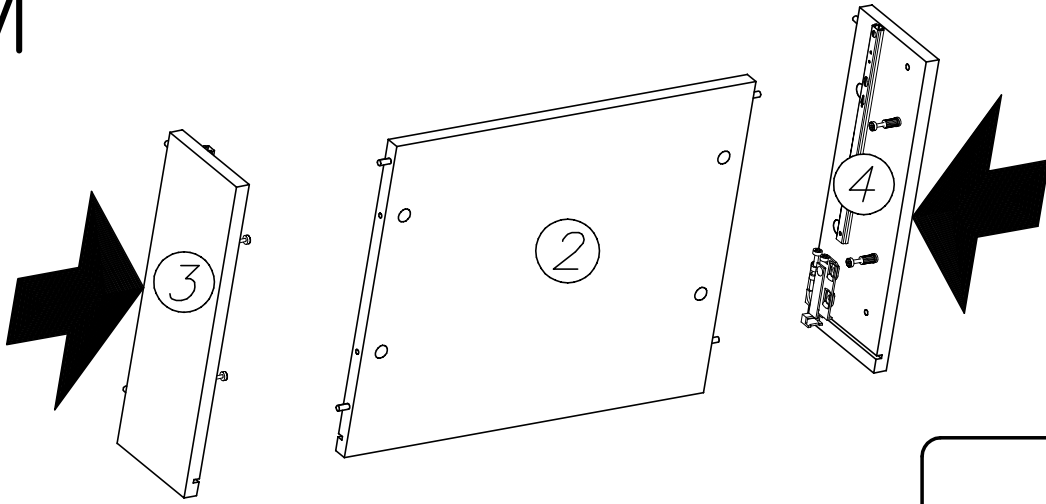
# IV



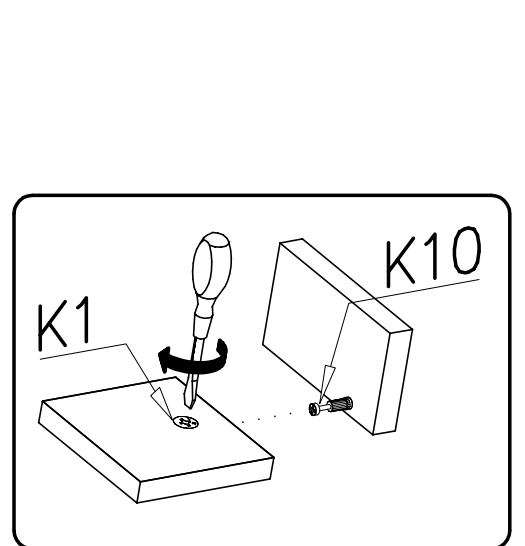
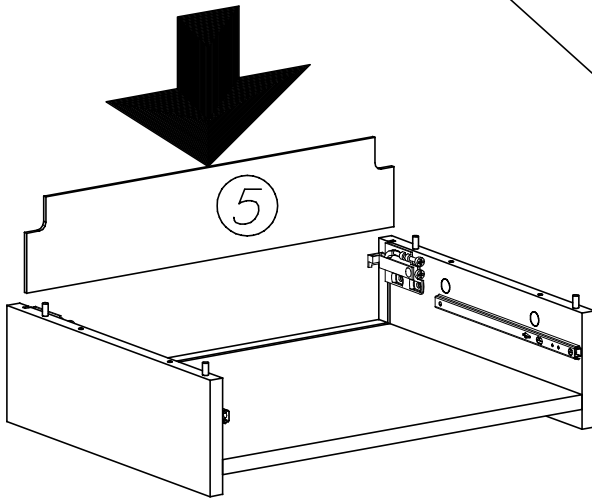
V



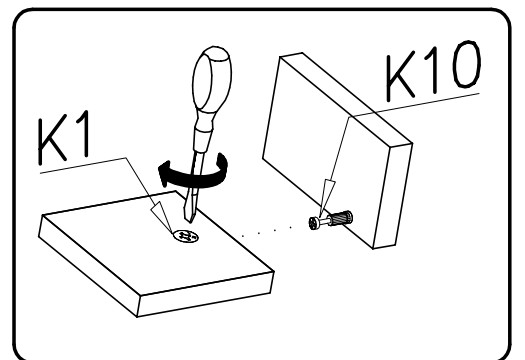
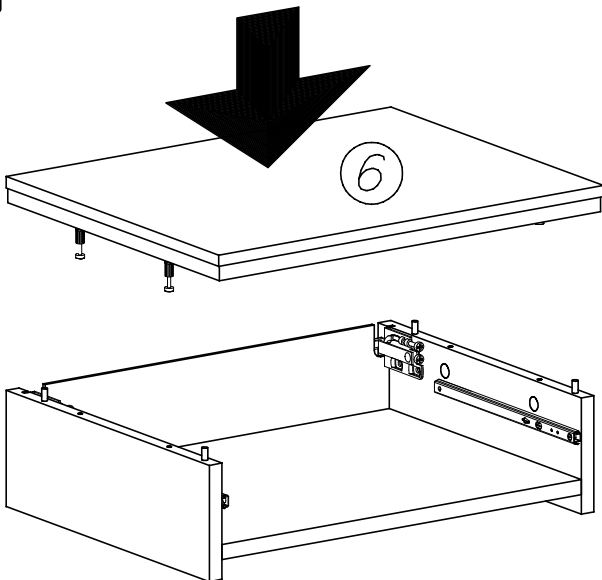
# VI



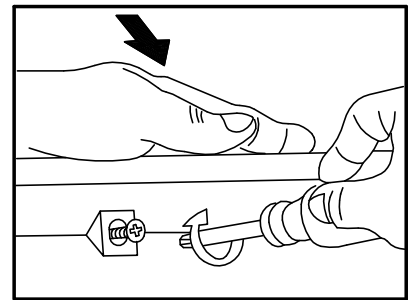
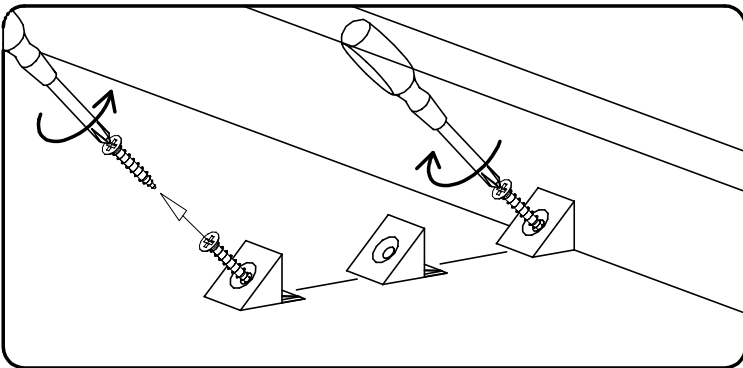
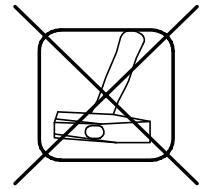
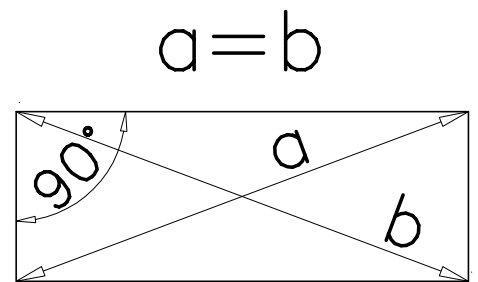
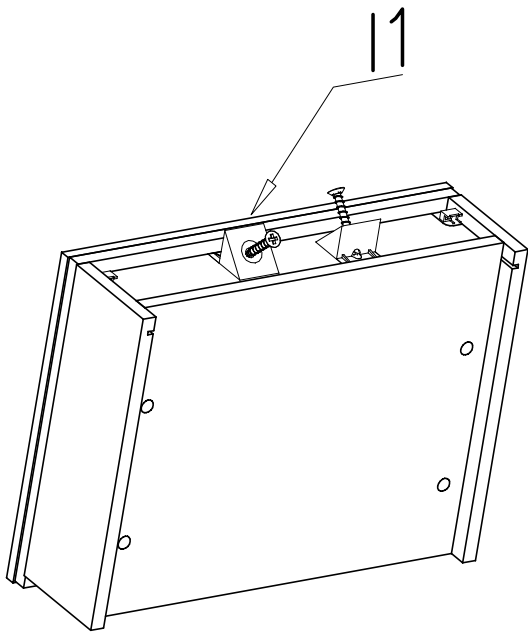
# VII



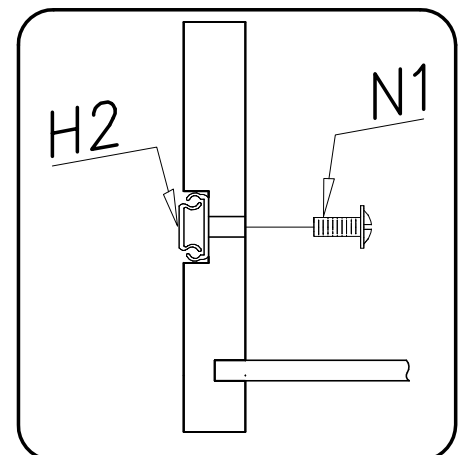
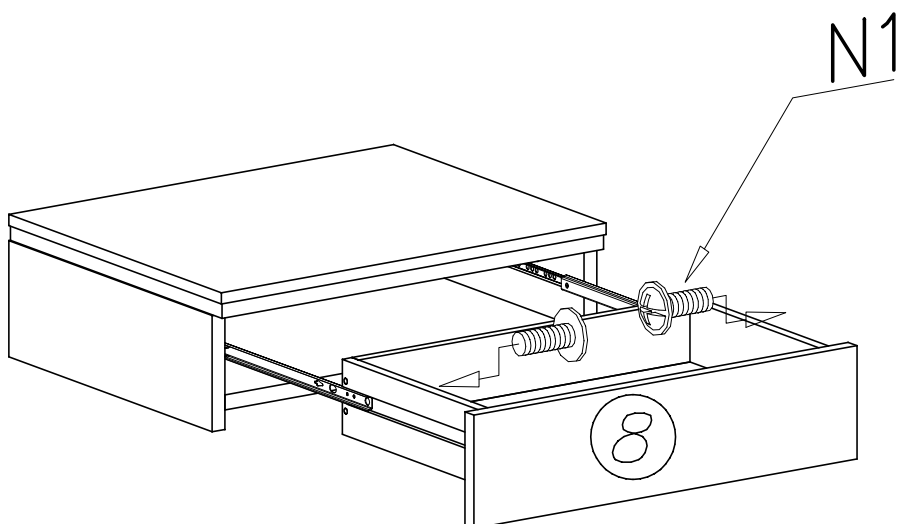
# VIII



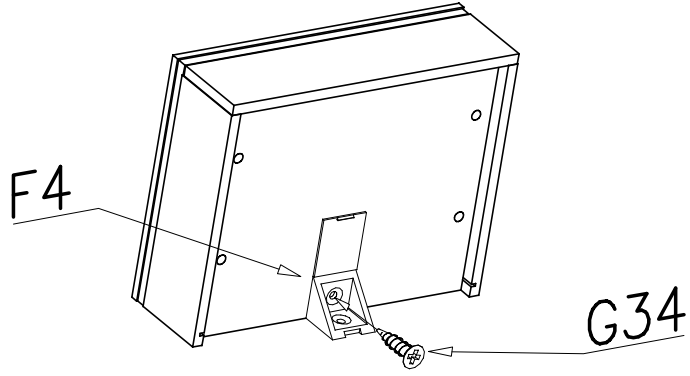
IX



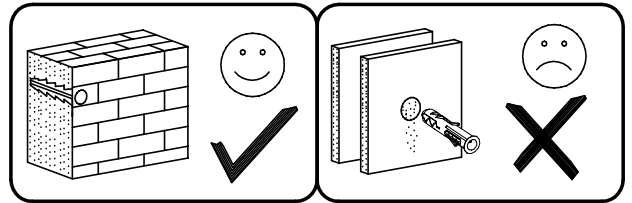
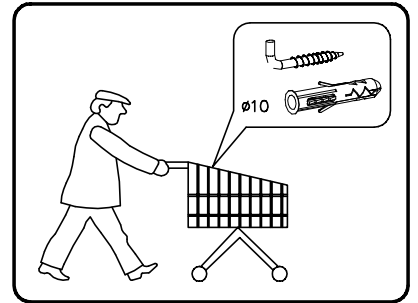
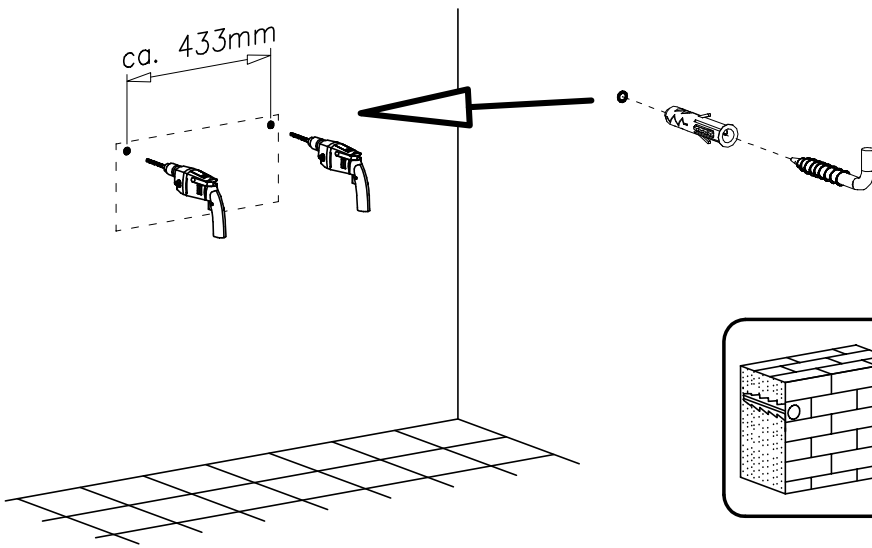
X



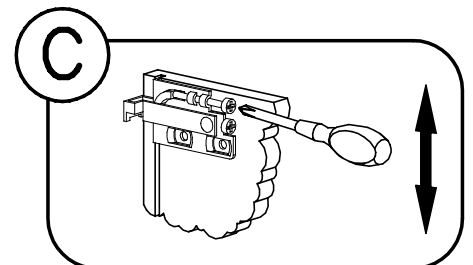
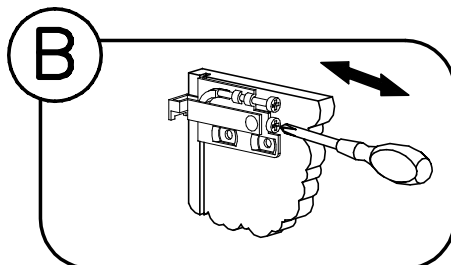
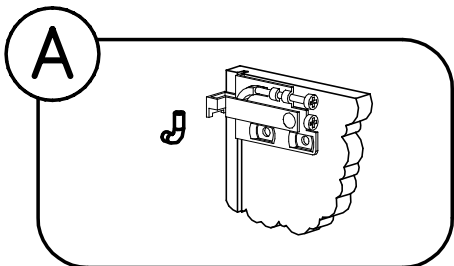
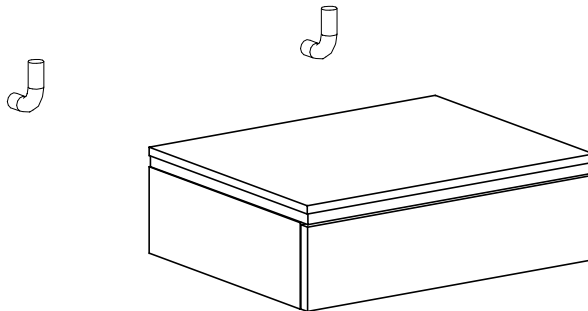
XI



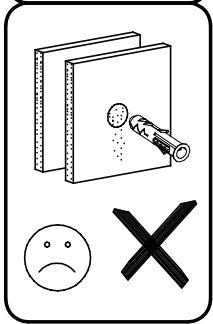
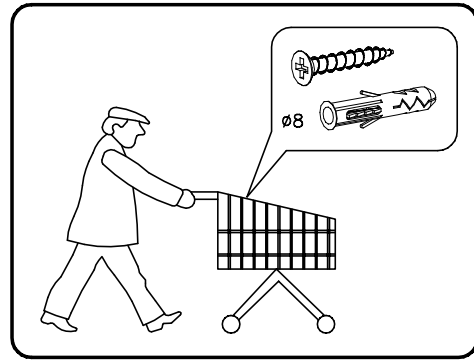
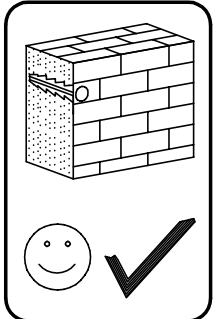
XII



XIII

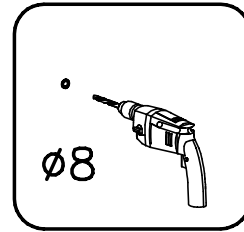
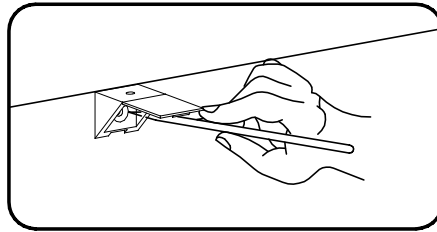


# XIV



1

2



3

4

