

Alcove Standard 6030SKTF | Tub Only

Product Number: WFBUDLST06030SKTF-LH 60" x 30" x 21"

Product Number: WFBUDLST06030SKTF-RH 60" x 30" x 21"



STANDARD FEATURES INCLUDED

- Deep Soak Linear Overflow
- Step Over Height 19+"
- Lower Back Lumbar Support
- Extra Large Floor Space for Bath & Shower
- Clean Contemporary Design
- Integral Tile Flange
- EZ Install Level System
- Textured Floor

COLORS

- White: Standard

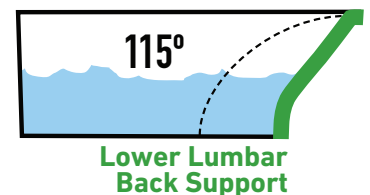
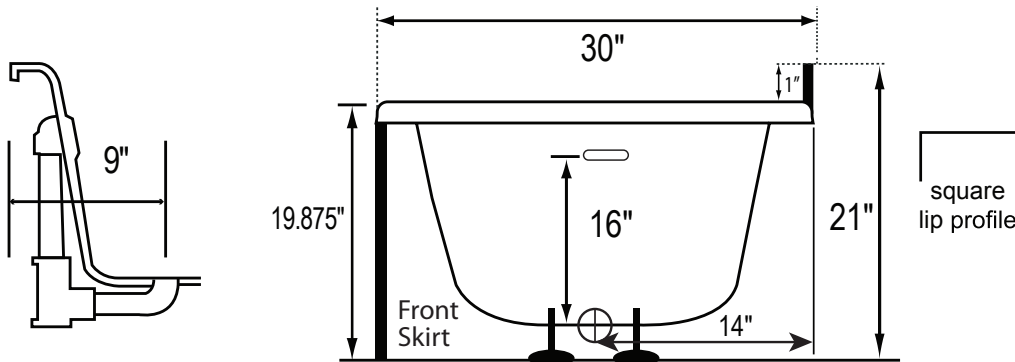
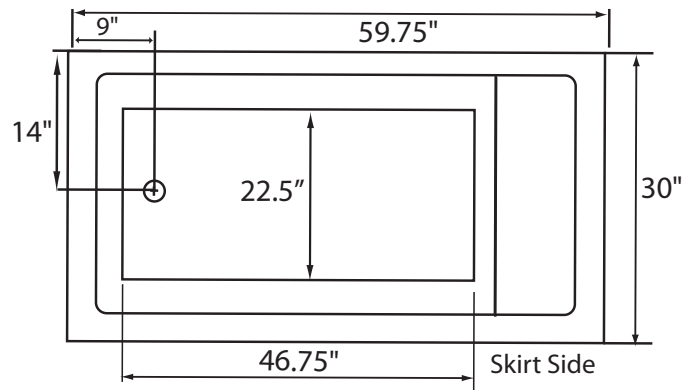
DRAINS OPTIONAL

- Pop-up Drain: White
- In Floor Drain EZ Fast Connect



TECHNICAL SPECIFICATIONS

- 3-wall Alcove Installation
- Acrylic Reinforced Fiberglass
- Right or Left Drain Locations
- 48 – 72 Gallons
- Limited Lifetime Warranty



Specifications and features are subject to change without notice and are + .25". All final measurements should be taken from tub on site.

HydroMassage Products LLC • 303-341-1845 • Fax: 303-341-1850 • www.hydromassageproducts.com