

# ASSEMBLY INSTRUCTIONS

## HIGH LOFT BED WITH BOOKCASE





# SAFETY WARNING



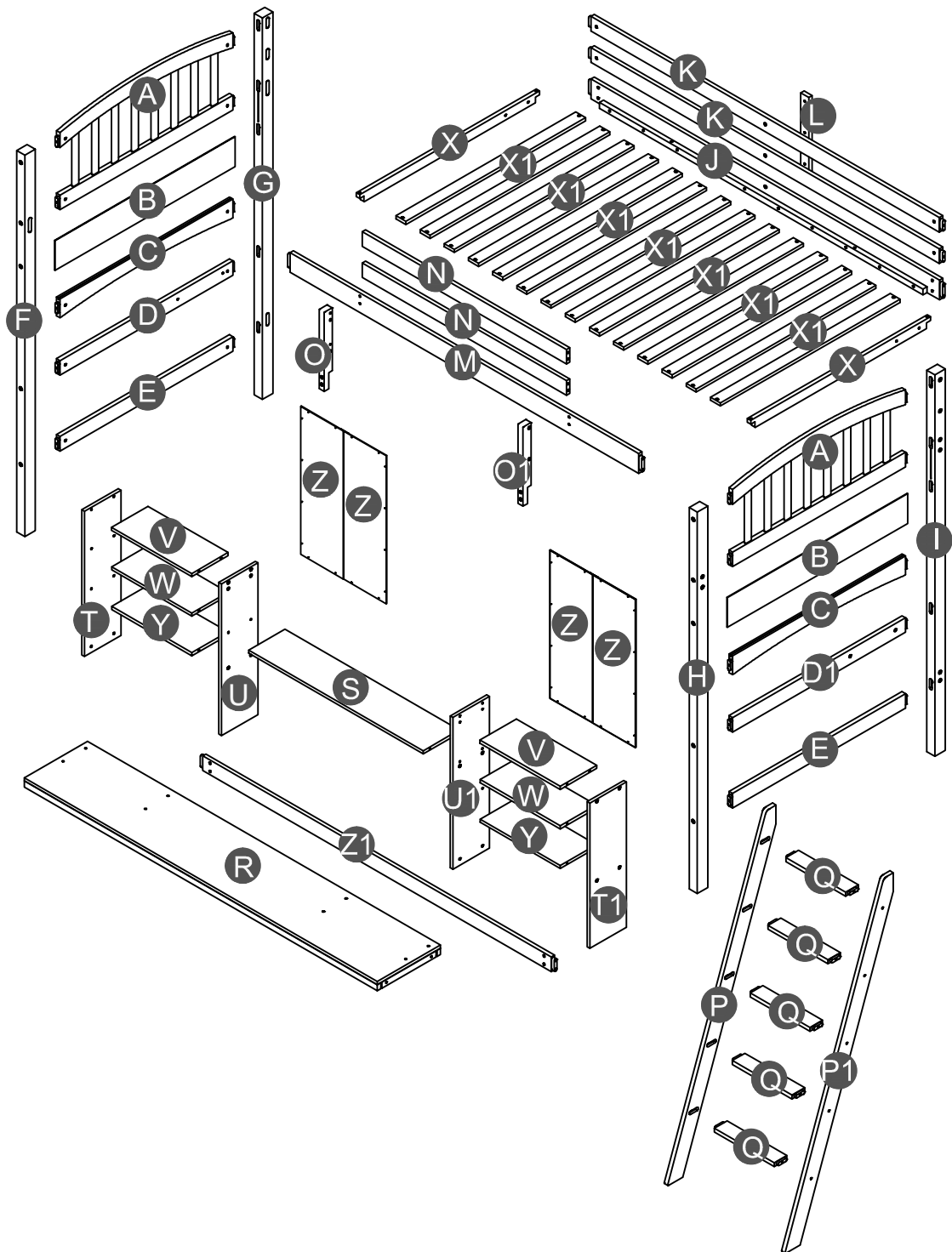
1. This bed is designed for use only mattress (es) meeting the following specifications on the loft bed:

Up bed (Loft bed and tribed included)

Bed type	Length	With	Thickness
Twin Standard	74"-75"	38 1/2"	6" max

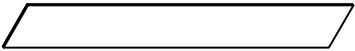
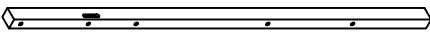
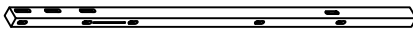
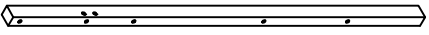
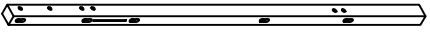
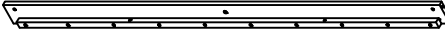
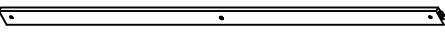
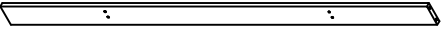
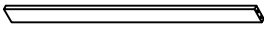



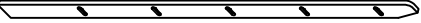
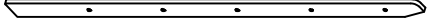
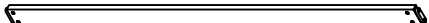
2. Replacement parts, including additional guardrails, maybe obtained from any of our dealers
3. Follow the information on the warnings appearing on the loft bed. end structure and on the carton. Do not remove warning label from bed.
4. Always use the recommended size mattresses or mattress supports, or both, to help prevent the likelihood of entrapment or falls.
5. Surface of mattress must be at least 5" (127mm) below the upper edge of guardrails.
6. Do not allow children under 6 years of age to use the loft bed.
7. Periodically check and ensure that the guardrail, ladder, and other components are in their proper position, free from damage, and that all connectors are tight.
8. Do not allow horseplay on or under the bed and prohibit jumping on the bed.
9. Always use the ladder for entering and leaving the loft bed.
10. Do not use substitute part. Contact the manufacture or dealer for replacement part.
11. Use of a night light may provide added safety precaution for a child using the loft bed.
12. Always use guardrails on both long sides of the loft bed. If the loft bed will be placed next to the wall, the guardrail that runs the full length of the bed should be placed against the wall to prevent entrapment between the bed and wall.
13. The use of water or sleep flotation mattresses is prohibited.
14. STRANGULATION HAZARD - Never attach or hang items to any part of the loft bed that are not designed for use with the bed; for example, but not limited to, hook, belts and jump ropes.
15. Keep these instruction for future reference.

# Detail View

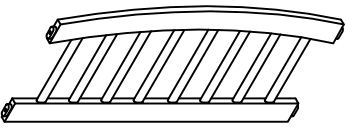

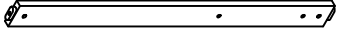
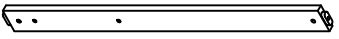
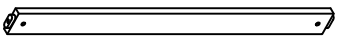

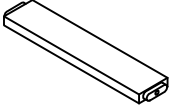

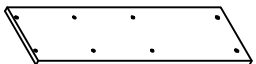

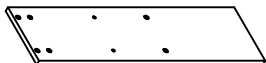

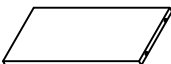
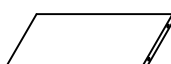
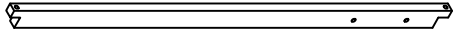
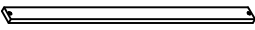
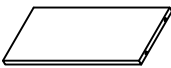
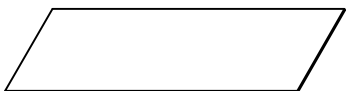


# Part List


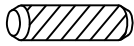

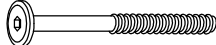
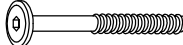



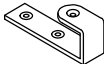


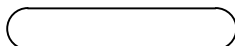


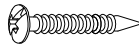

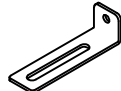
## Hardware List

<b>B</b>  Side panel - 2pcs	<b>F</b>  Leg HB (Left) - 1pc	<b>G</b>  Leg HB (Right) - 1pc
<b>H</b>  Leg FB (Right) - 1pc	<b>I</b>  Leg FB (Left) - 1pc	<b>J</b>  Side rail (Back) - 1pc
<b>K</b>  Long guard rail - 2pcs	<b>M</b>  Side rail (Front) - 1pc	<b>N</b>  Short guard rail - 2pcs
<b>R</b>  Bottom panel -1pc	<b>O</b>  Guard rail support (Left)-1pc	<b>O1</b>  Guard rail support (Right)-1pc
<b>P</b>  Left side ladder -1pc	<b>P1</b>  Right side ladder -1pc	<b>Z1</b>  Horizontal bar (Right)- 1pc

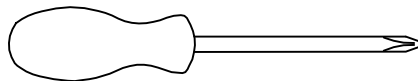
# Part List

<b>A</b>  HB & FB - 2pcs	<b>C</b>  Horizontal bar(L/R)-2pcs	<b>D</b>  Horizontal bar(Left) - 1pc
<b>D1</b>  Horizontal bar(Right) - 1pc	<b>E</b>  Horizontal bar - 2pcs	<b>L</b>  Vertical guard rail - 1pc
<b>Q</b>  Step ladder -5pcs	<b>S</b>  Middle shelf - 1pc	<b>T</b>  Left side panel - 1pc
<b>T1</b>  Right side panel - 1pc	<b>U</b>  Left side panel - 1pc	<b>U1</b>  Right side panel - 1pc
<b>V</b>  Upper shelf (L&R) - 2pcs	<b>W</b>  Middle shelf (L&R) - 2pcs	<b>X</b>  Support panel (L&R) - 2pcs
<b>X1</b>  Slats - 14pcs	<b>Y</b>  Lower shelf (L&R) - 2pcs	<b>Z</b>  Back panel - 4pcs

# Hardware List



<b>1</b>	 Ø10*40mm Wood dowel (4pcs)	<b>2</b>	 Ø8*30mm Wood dowel (8pcs)	<b>3</b>	 (Ø15)1/4"*100mm Hex-Head bolts (36pcs)
<b>4</b>	 (Ø15)1/4"*80mm Hex-Head bolts (4pcs)	<b>5</b>	 (Ø12)1/4"*60mm Hex-Head bolts (38pcs)	<b>6</b>	 (Ø12)1/4"*35mm Hex-Head bolts (8pcs)
<b>7</b>	 (Ø12)1/4"*30mm Hex-Head bolts (11pcs)	<b>8</b>	 1/4"*15 (9.5mm) Horizontal-Hole bolts(78pcs)	<b>9</b>	 81*26*21 (2.5mm) Hooks (2pcs)
<b>10</b>	 Ø4*30mm Wood screws (32pcs)	<b>11</b>	 Ø4*19mm Wood screws (6pcs)	<b>12</b>	 90*17*2mm Foam stick (2pcs)
<b>13</b>	 Ø3.5*15mm Wood screws (32pcs)	<b>14</b>	 (1/4")4.5*58mm Allen key (1pc)	<b>15</b>	 Ø4*38mm Wood screws (2pcs)
<b>16</b>	 Ø9*32mm Plastic anchor (2pcs)	<b>17</b>	 58*16*15*(1.5mm) Metal bracket (2pcs)		

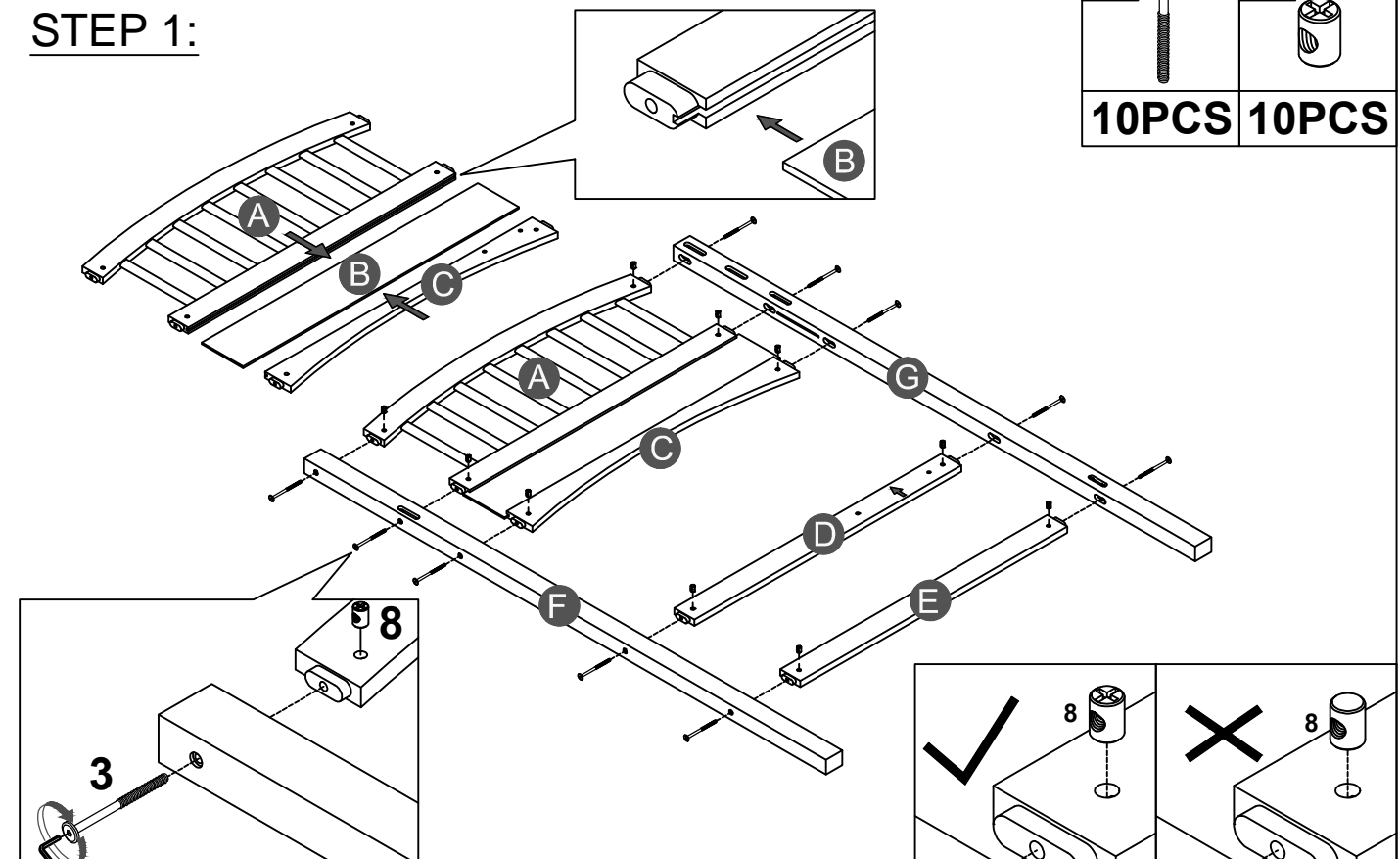
## ASSEMBLY TOOLS REQUIRED ( NOT INCLUDED )



PLEASE BE CAREFUL DO NOT DAMAGE THE HOLE POSITION WHEN YOU USE POWER TOOLS !

**STEP 1:**



<b>3</b>	<b>8</b>
	
<b>10PCS</b>	<b>10PCS</b>

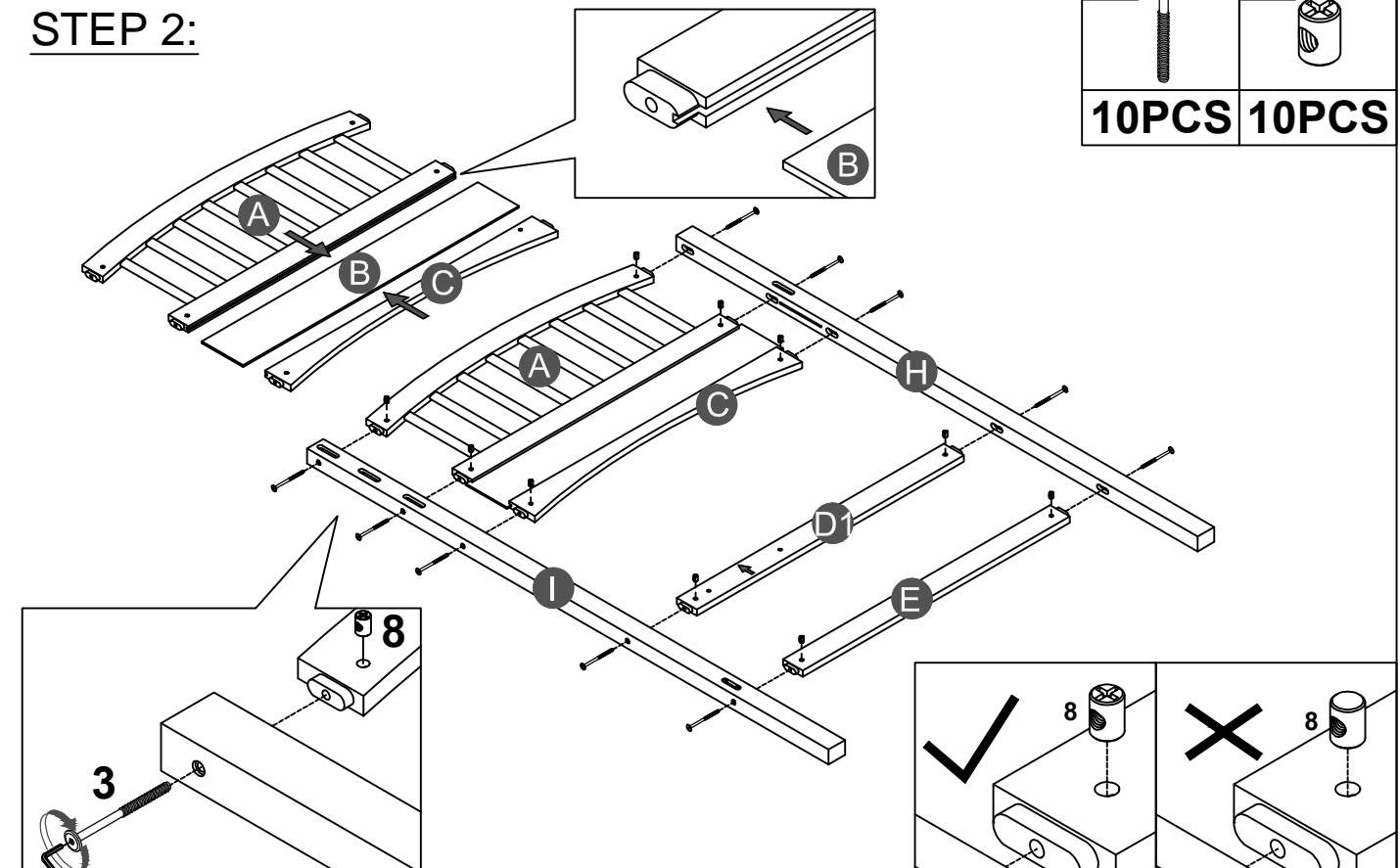


**14**

Note: Part 8 will face up with the "x" mark on it, otherwise it cannot be tightened

**STEP 2:**

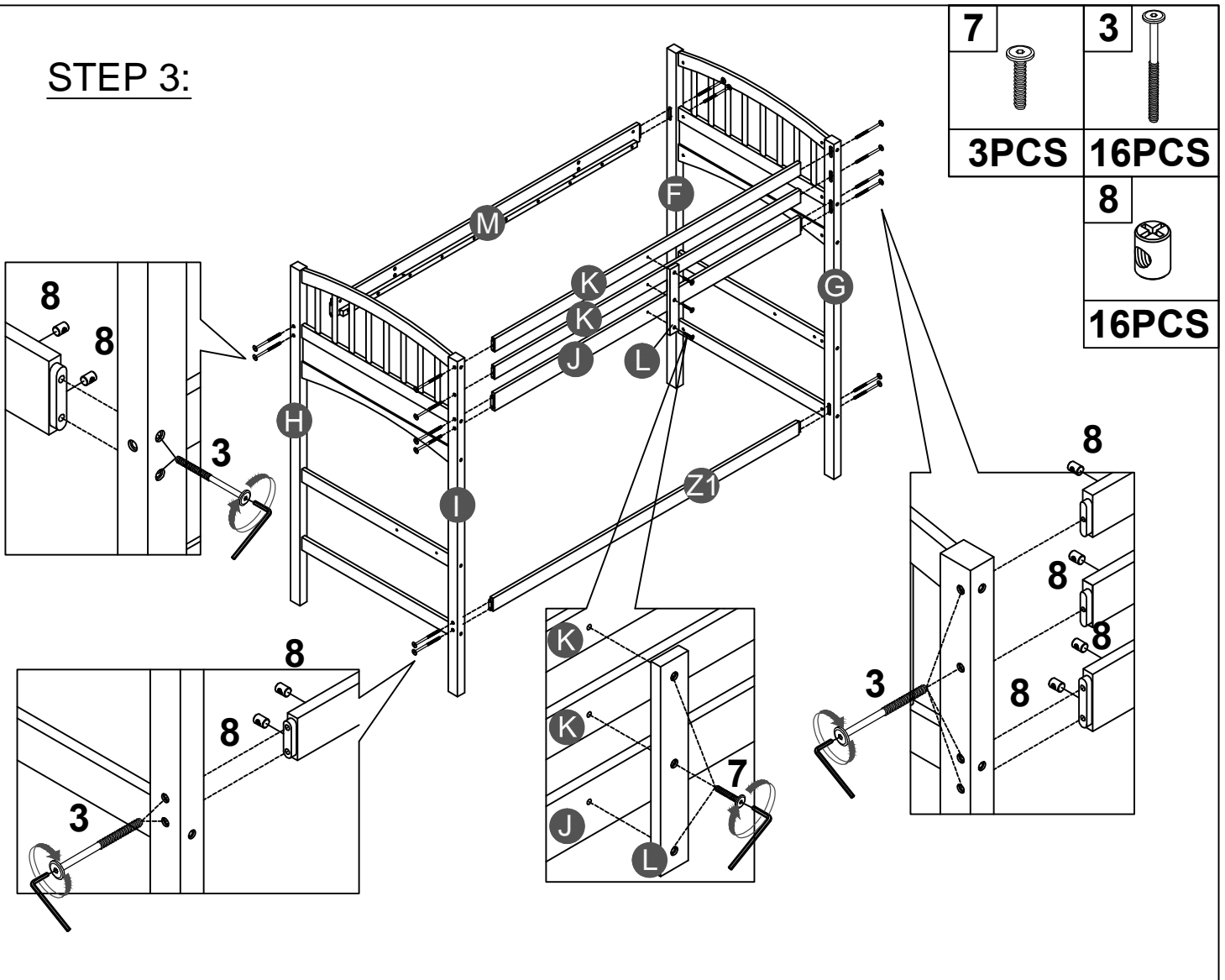
<b>3</b>	<b>8</b>
	
<b>10PCS</b>	<b>10PCS</b>



**14**

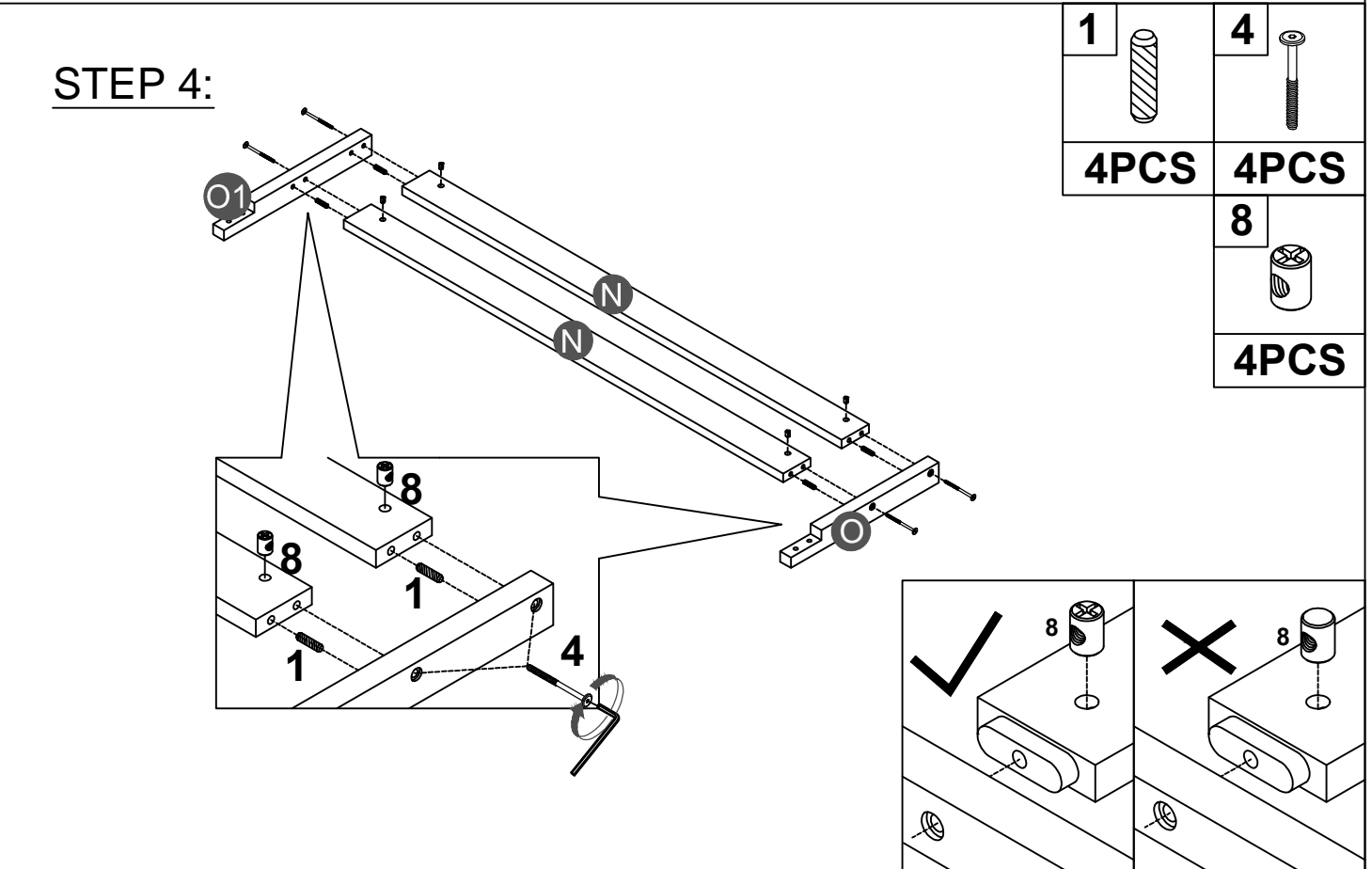
Note: Part 8 will face up with the "x" mark on it, otherwise it cannot be tightened

**STEP 3:**



7		3	
<b>3PCS</b>		<b>16PCS</b>	
		8	
		<b>16PCS</b>	

**STEP 4:**



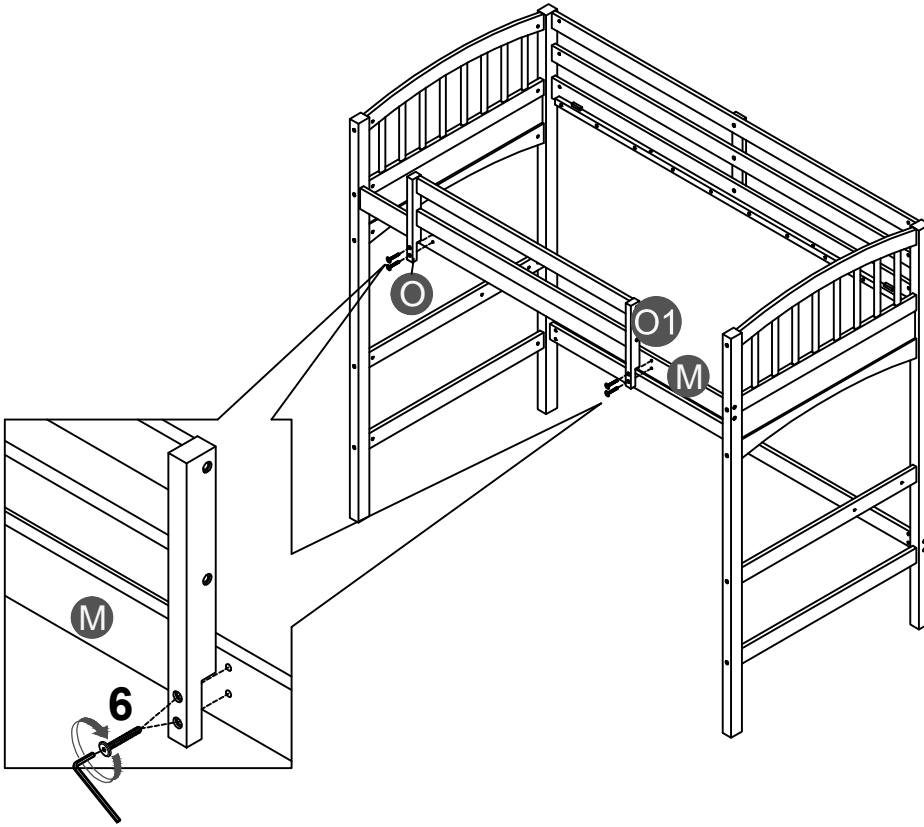
1		4	
<b>4PCS</b>		<b>4PCS</b>	
		8	
		<b>4PCS</b>	

**STEP 5:**

**6**



**4PCS**

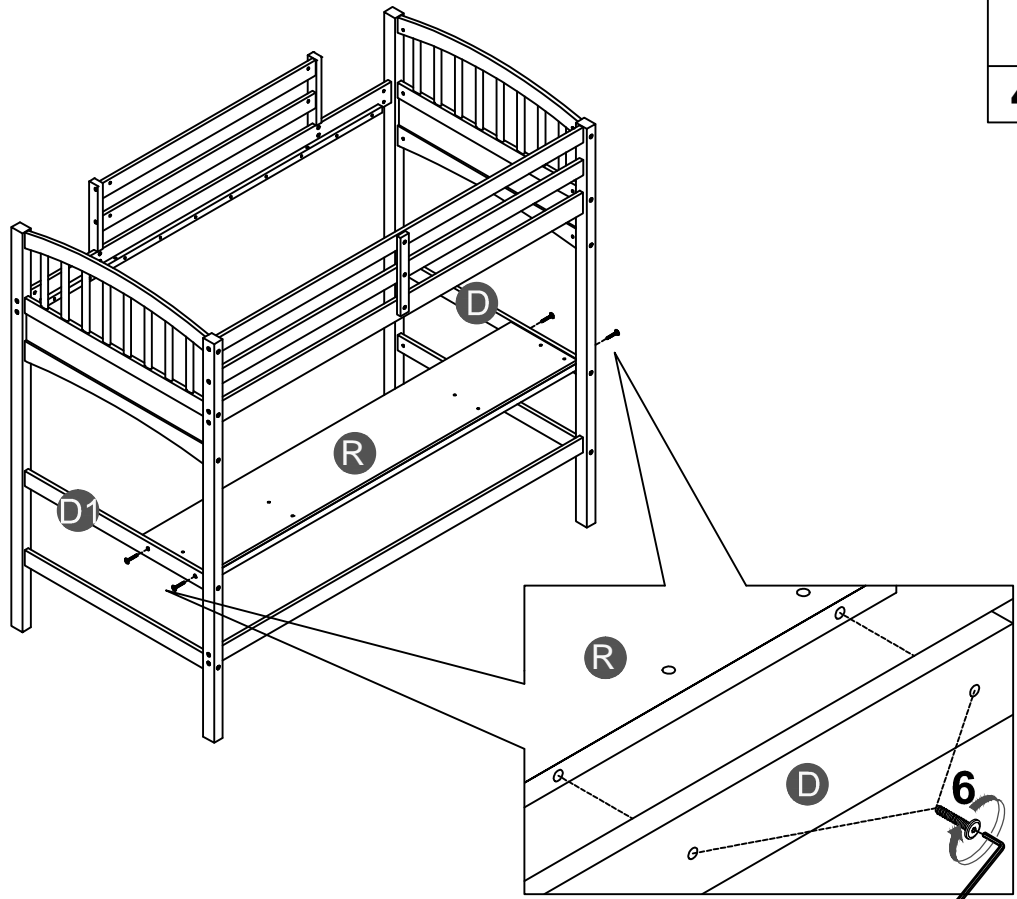


**STEP 6:**




**6**

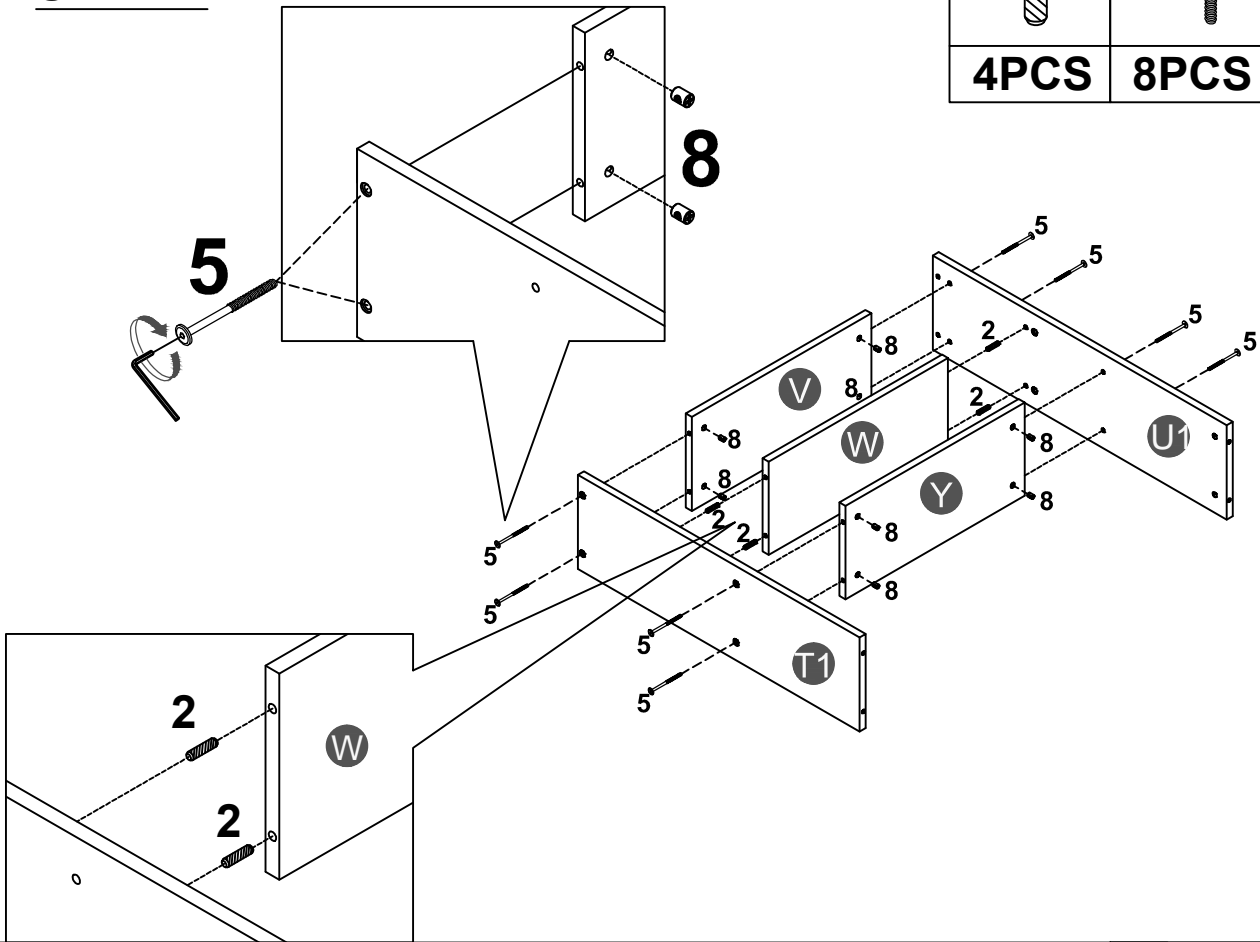


**4PCS**





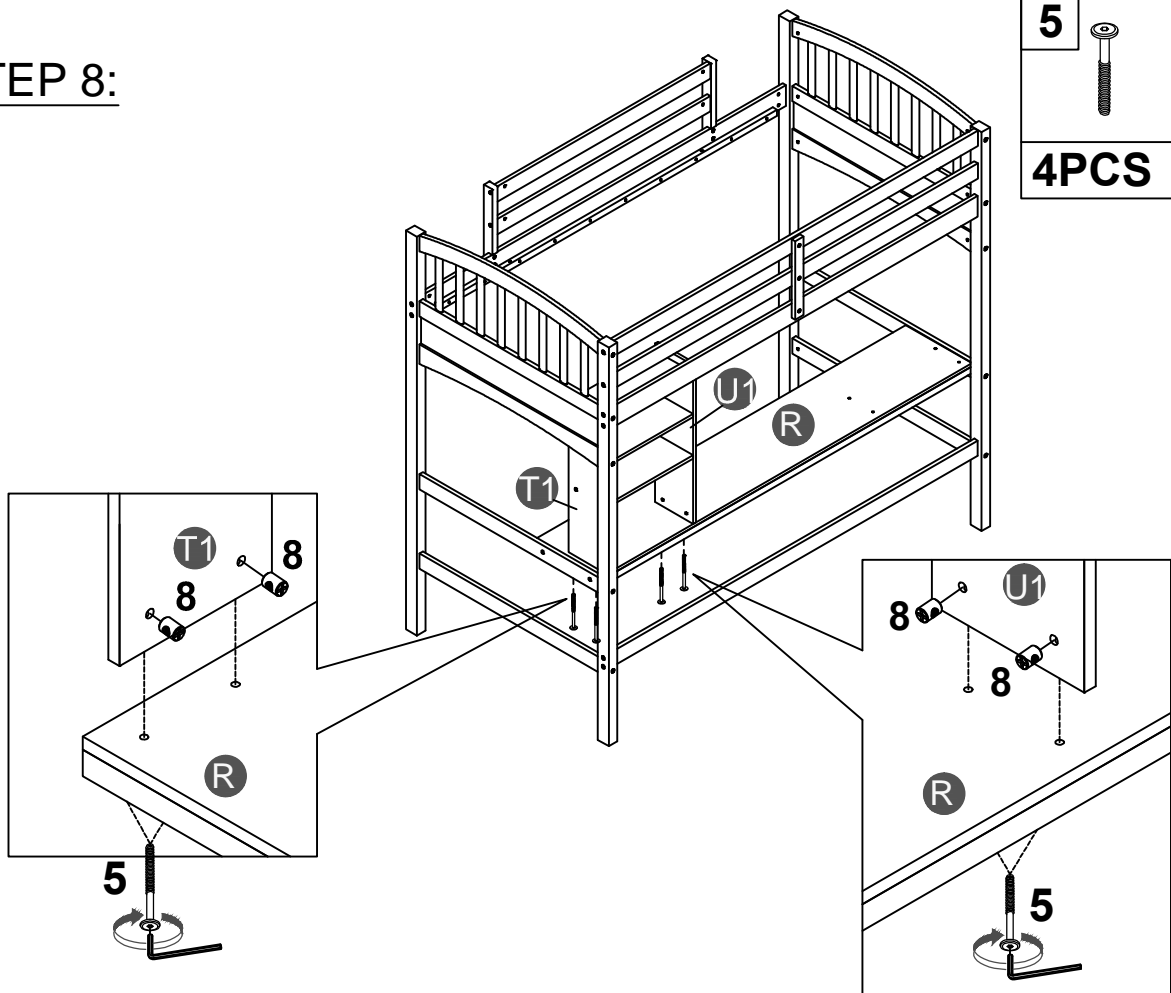
**STEP 7:**

<b>2</b> 	<b>5</b> 	<b>8</b> 
<b>4PCS</b>	<b>8PCS</b>	<b>8PCS</b>






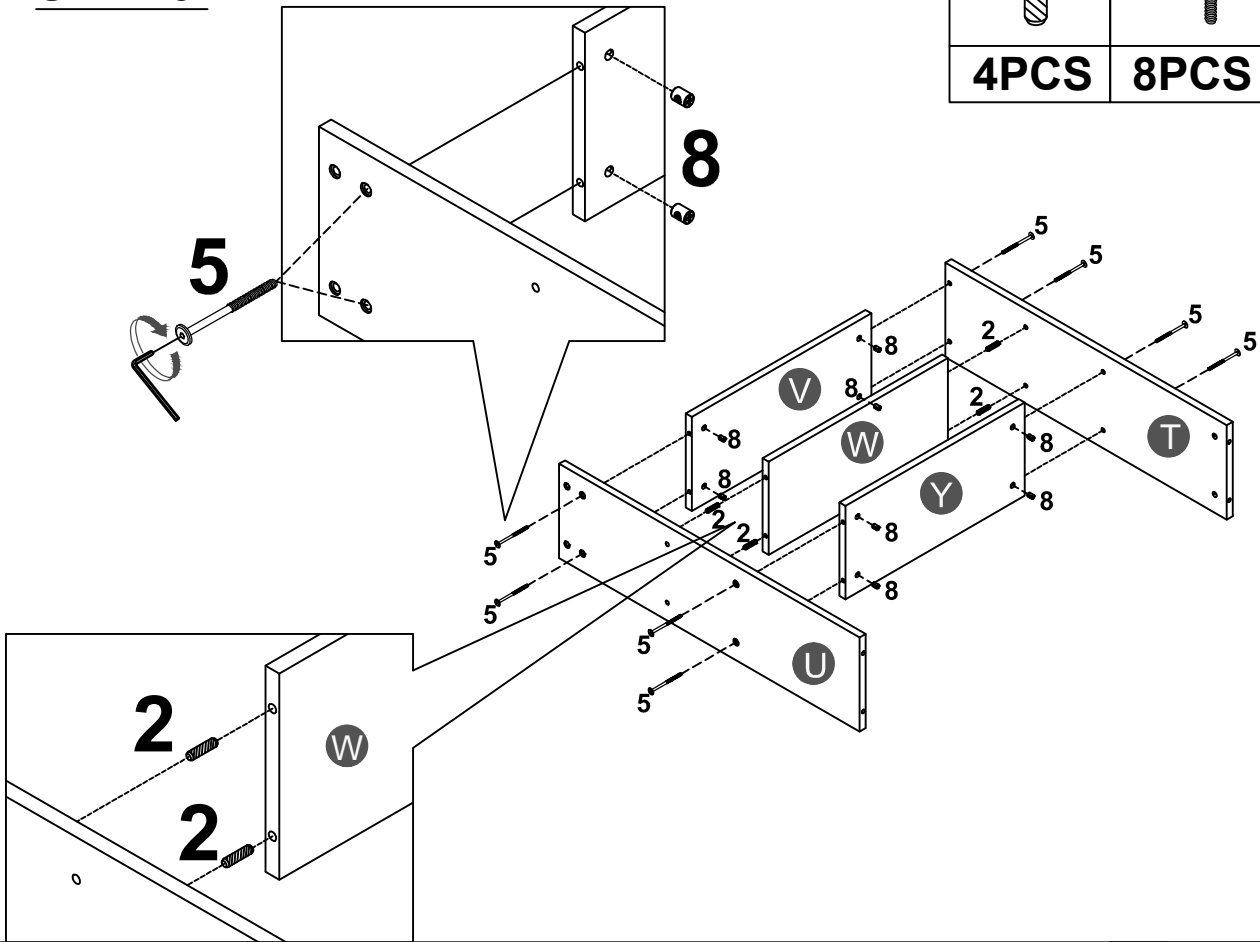
**STEP 8:**

<b>5</b> 	<b>8</b> 
<b>4PCS</b>	<b>4PCS</b>





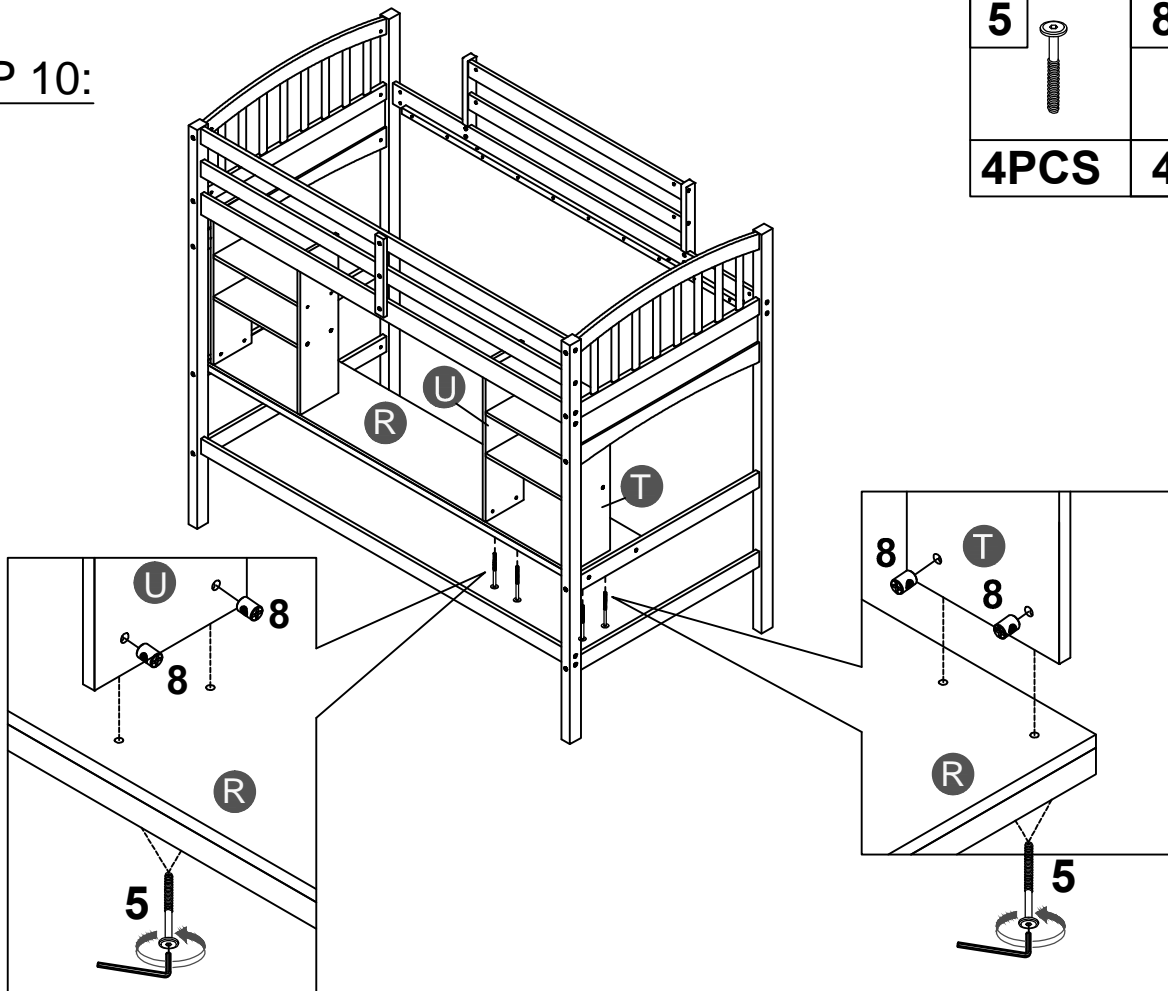
**STEP 9:**

<b>2</b> 	<b>5</b> 	<b>8</b> 
<b>4PCS</b>	<b>8PCS</b>	<b>8PCS</b>

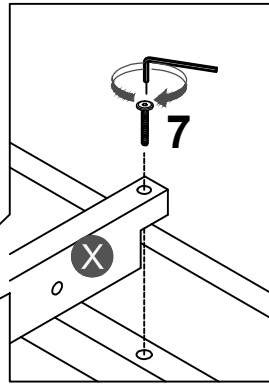
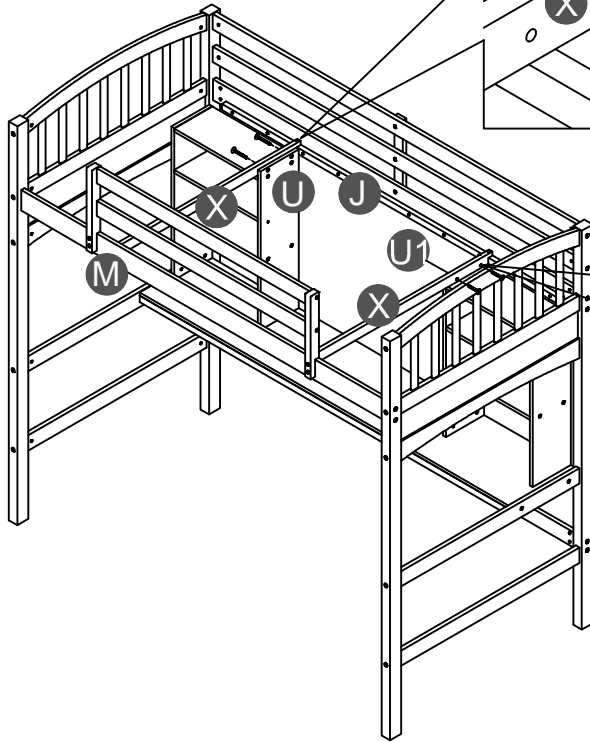



**STEP 10:**

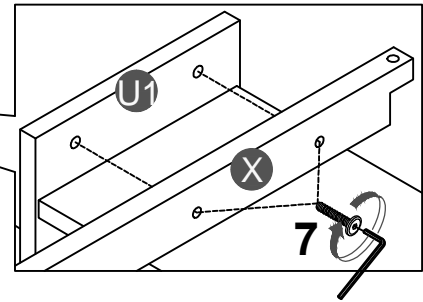
<b>5</b> 	<b>8</b> 
<b>4PCS</b>	<b>4PCS</b>



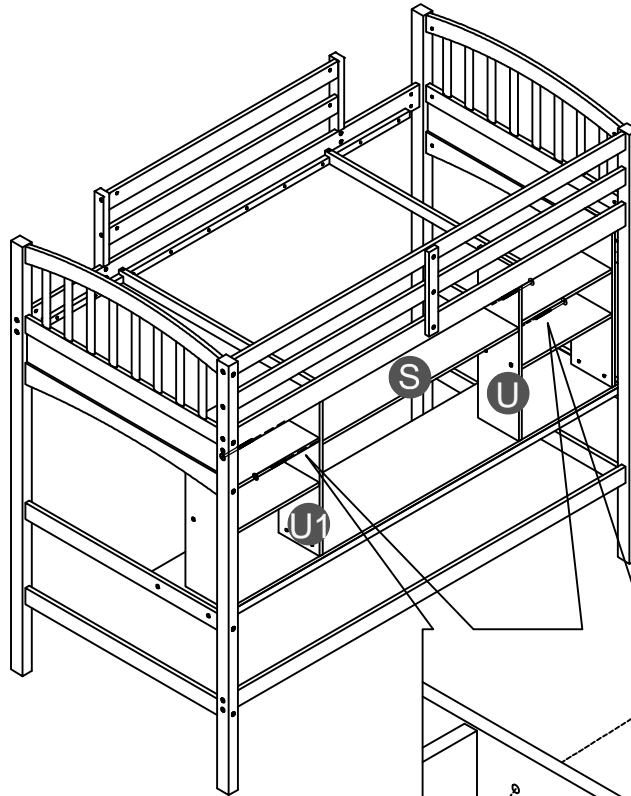
STEP 11:





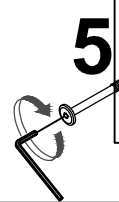
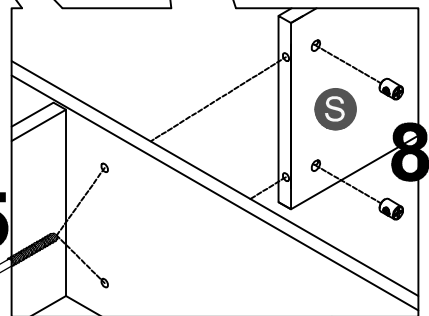
7	
<b>8PCS</b>	



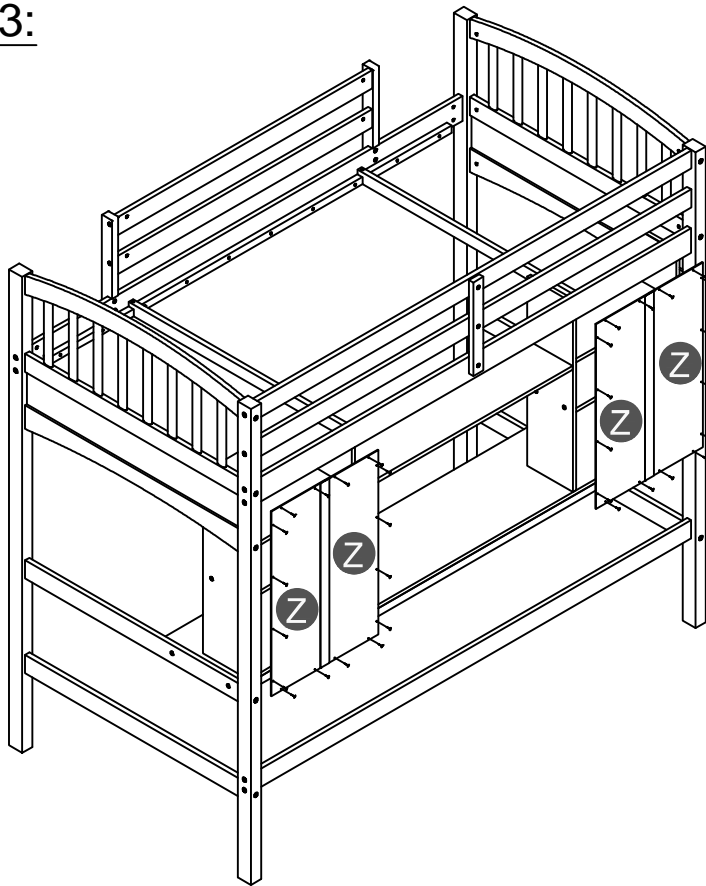
STEP 12:



5		8	
<b>4PCS</b>		<b>4PCS</b>	



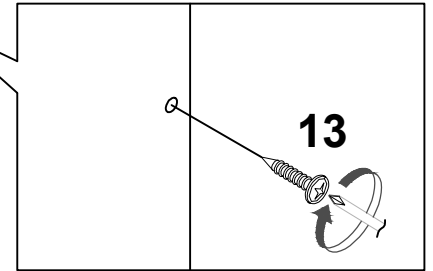
**STEP 13:**



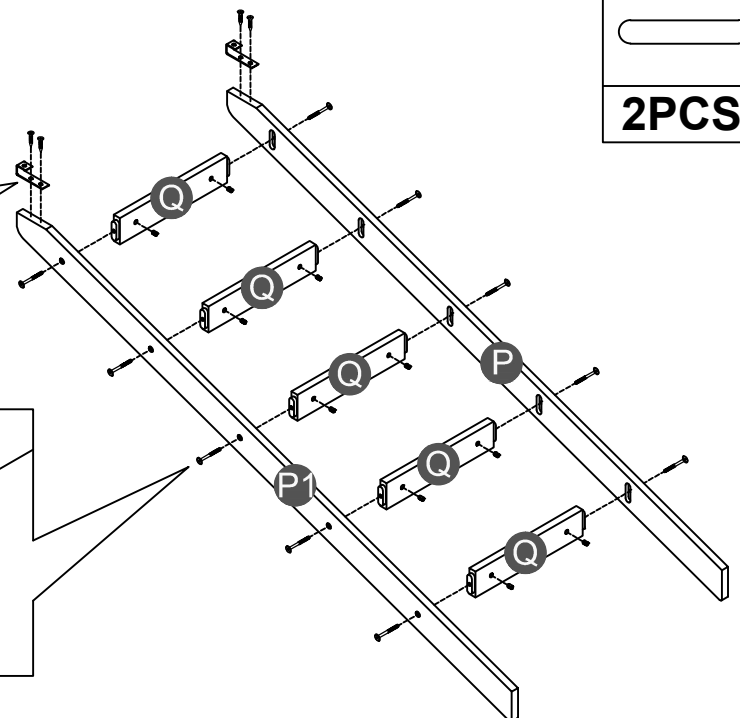
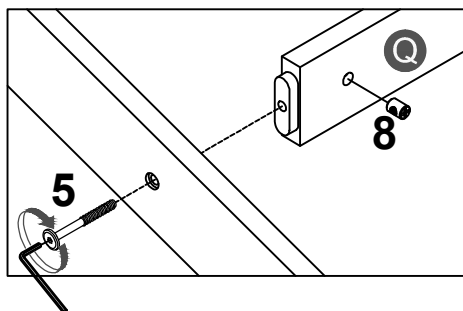
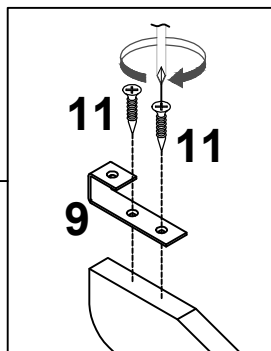
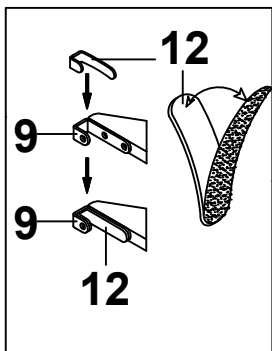
**13**



**32PCS**



**STEP 14:**



**5**



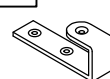
**10PCS**

**8**



**10PCS**

**9**



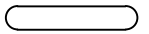
**2PCS**

**11**



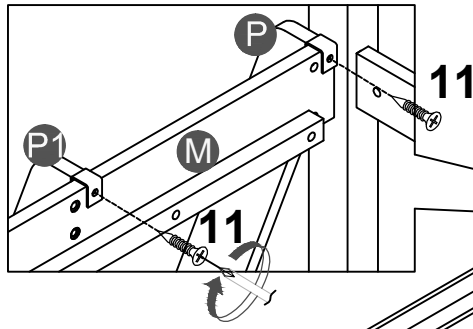
**4PCS**

**12**



**2PCS**

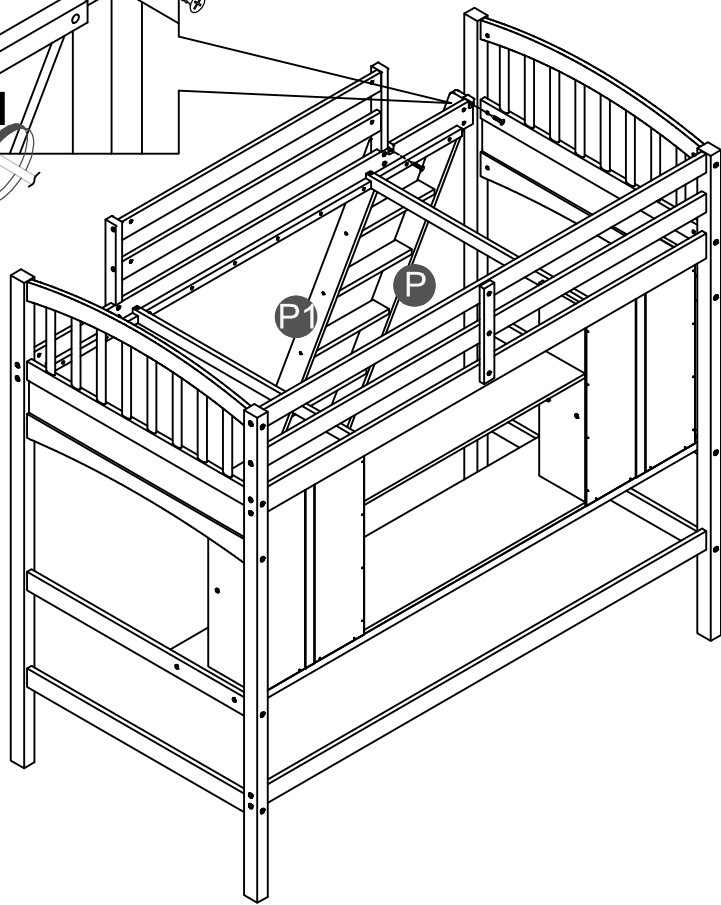
**STEP 15:**



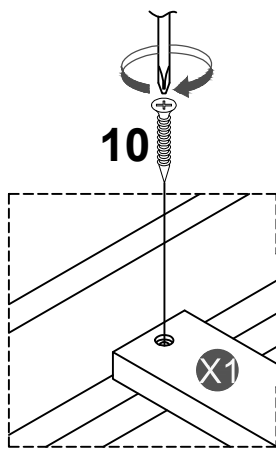
**11**



**2PCS**



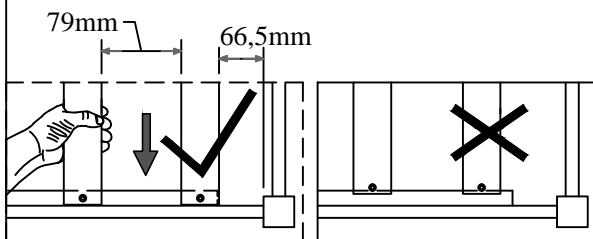
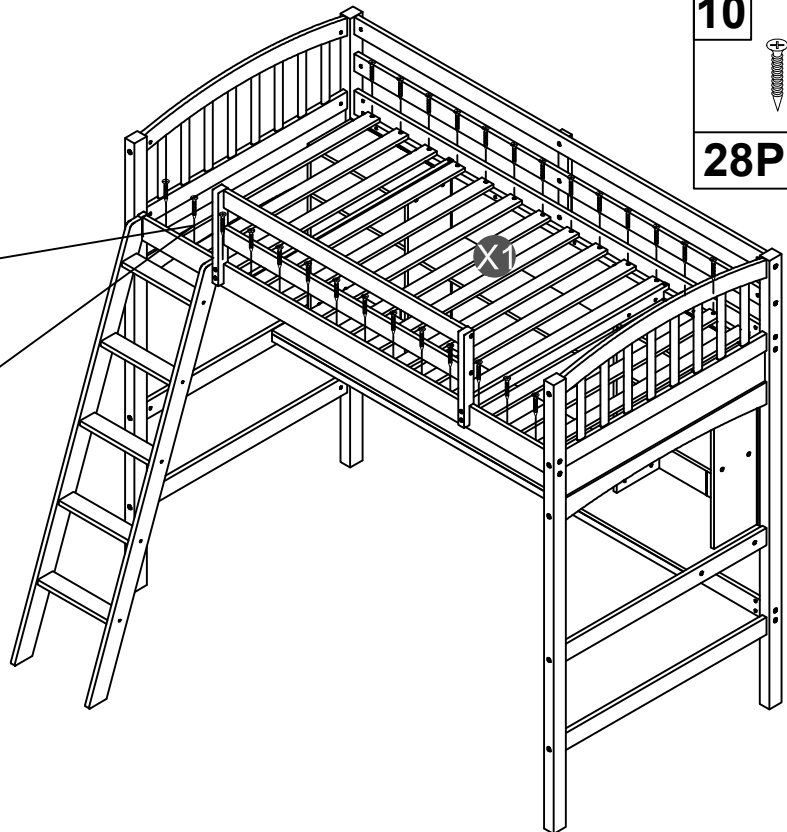
**STEP 16:**



**10**

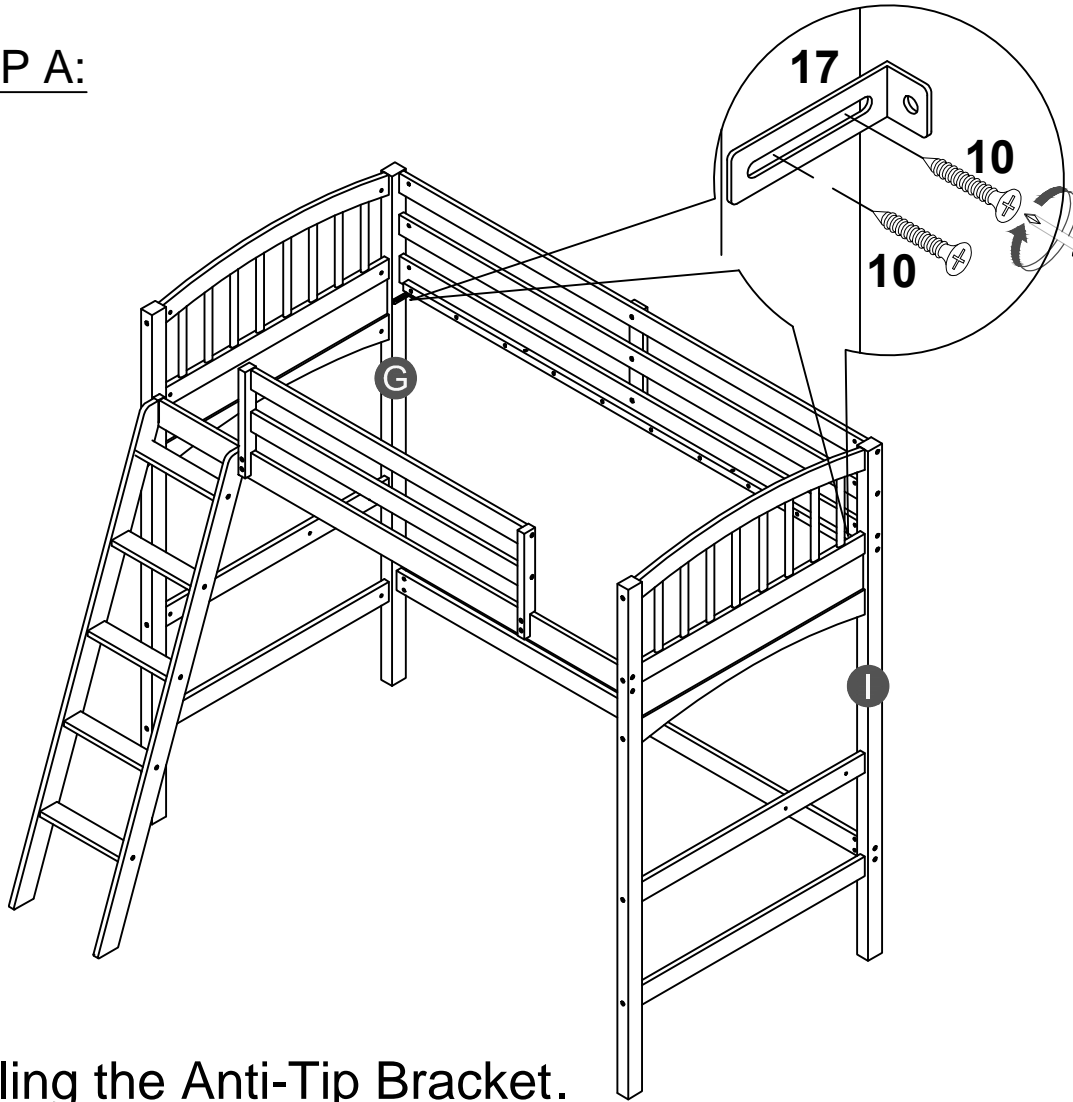




**28PCS**



Note: Do not lock the screws of the bed slats to the outermost edge of the bed slats, you need to leave a certain space at the edges, otherwise it will cause the board to break. Do not lock the bed slats on the edge of the wood, please hold firmly before screwing, hold it in place with one hand, then lock the screw.

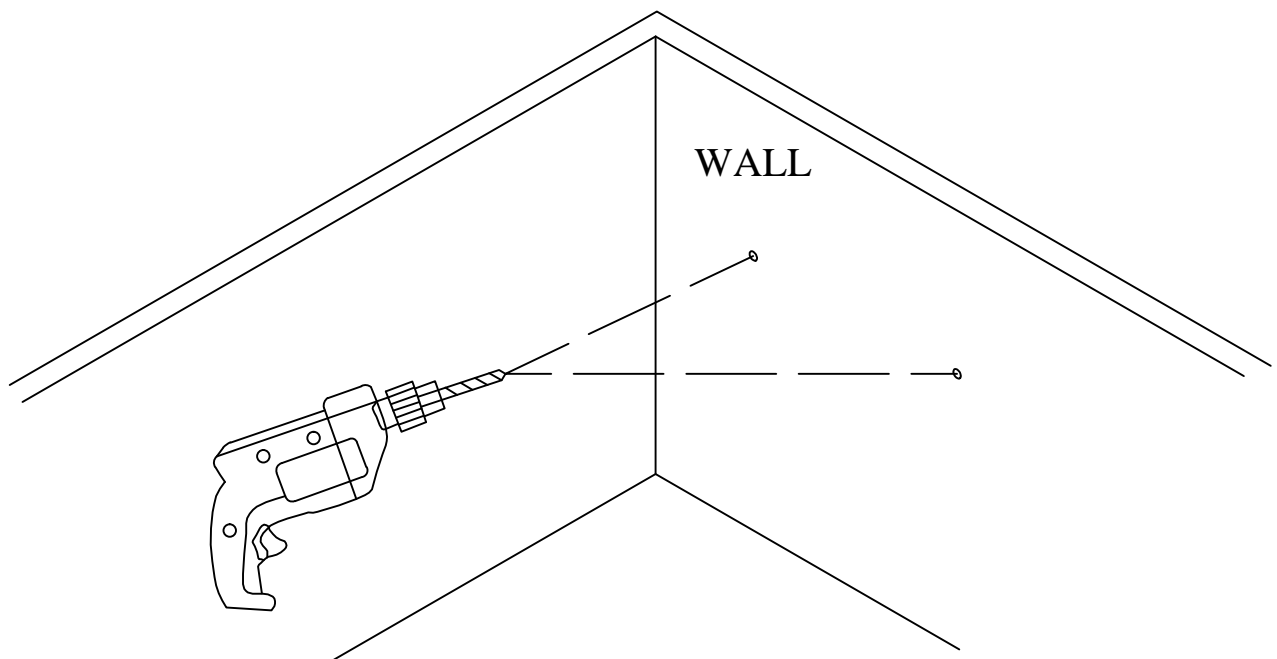
**STEP A:**



10	
4PCS	
17	
2PCS	

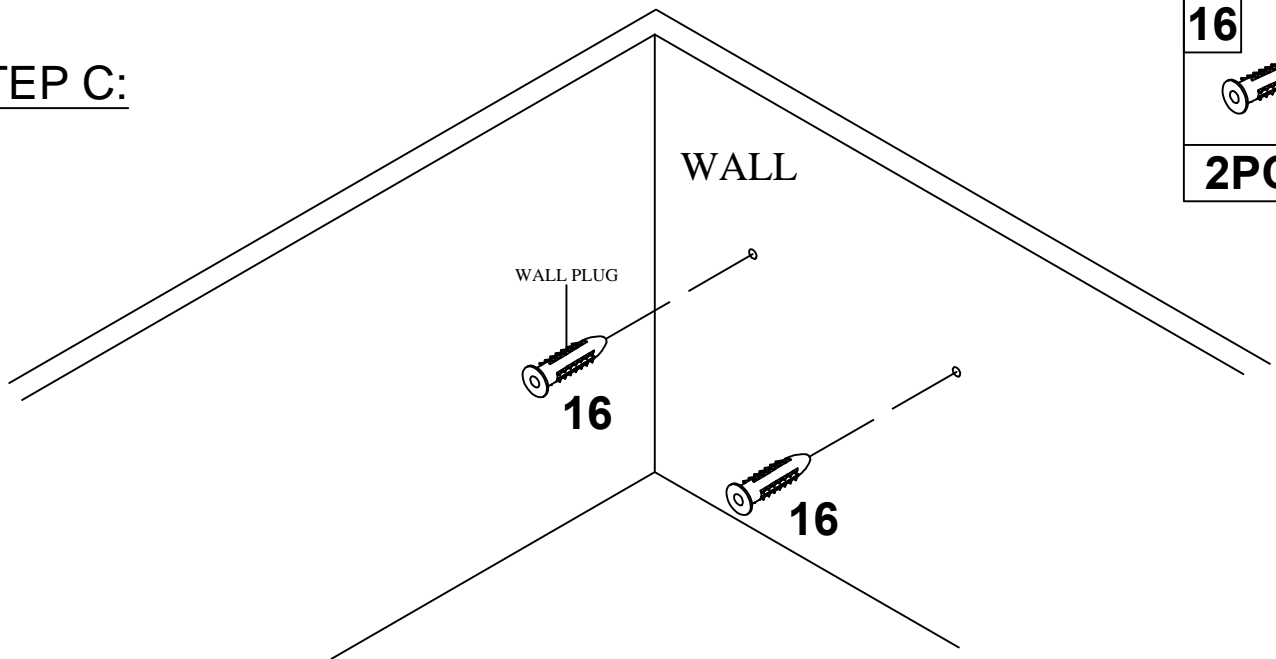
**Installing the Anti-Tip Bracket.**

**STEP B:**



**Drill holes in the wall.**

STEP C:



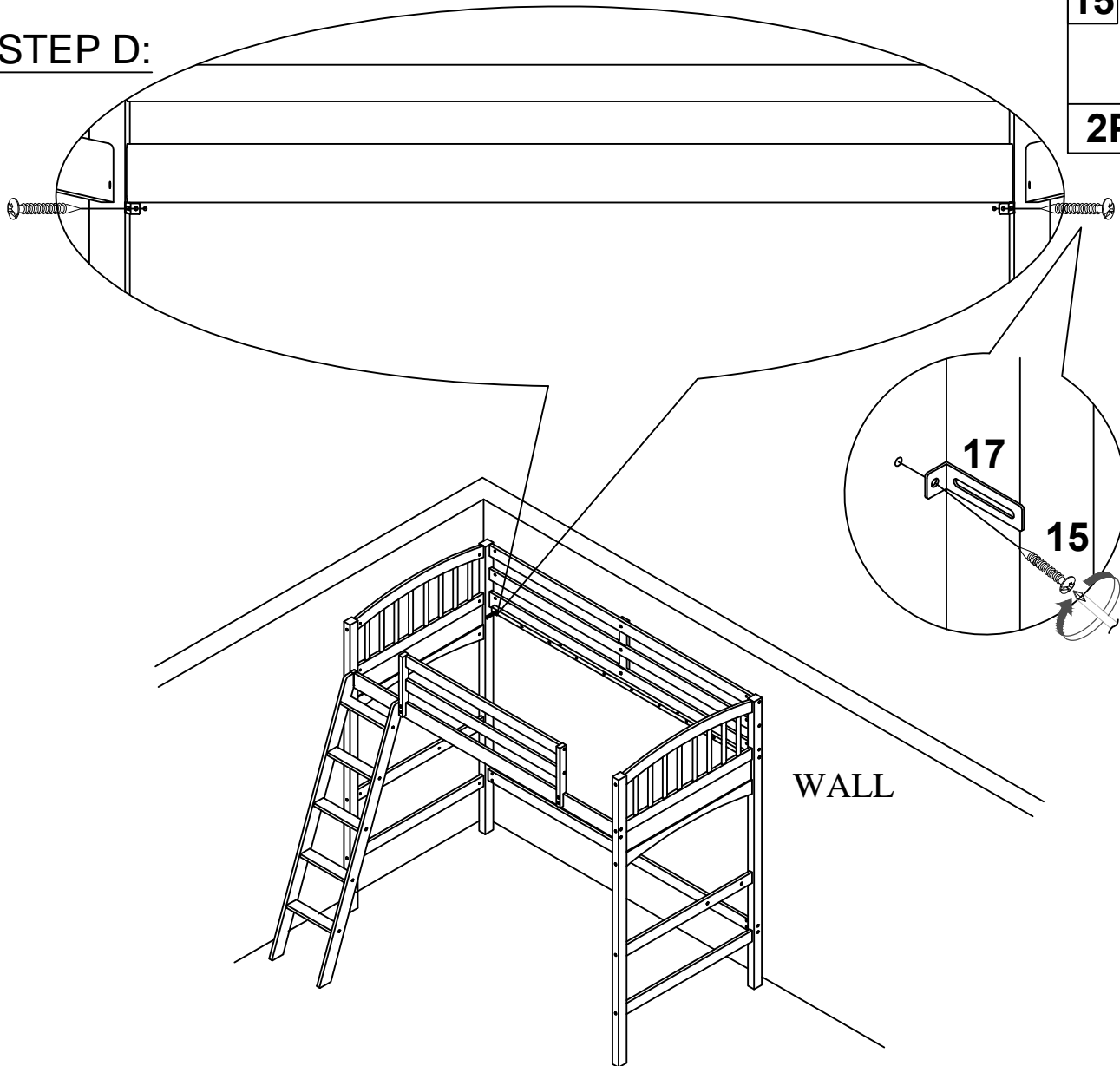
16



2PCS

To drive plastic anchor into the wall.

STEP D:



15



2PCS

17

15

Fix the bracket to the wall with screw.