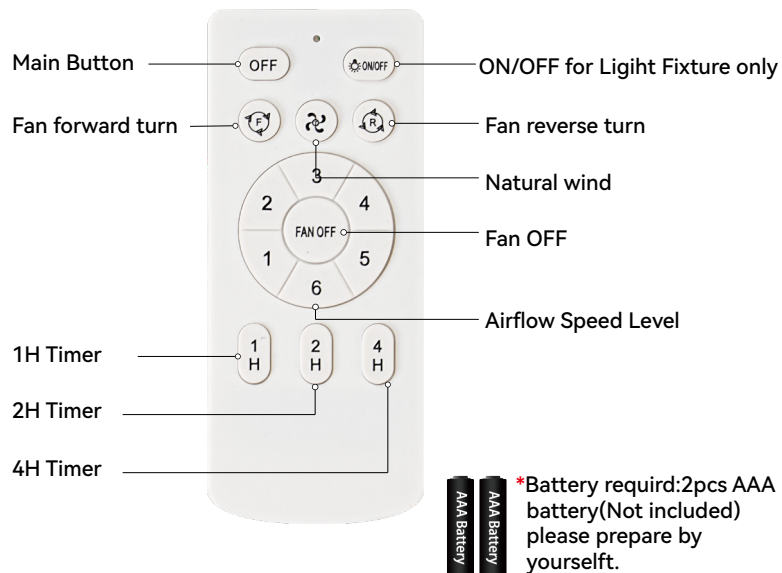


TECHNICAL SPECIFICATIONS

Input: AC120V~60Hz
 Power: 35W(20+15W)
 Size: $\phi 22 \times H 7.87$ inch



*If the remote controller doesn't work normally, please turn off the fan then follow below steps to activate the resetting procedure.

Codes pairing: Turn off the power for 30sec by wall switch, then turn on the power; press "2" and "2H" at the same time for 3 seconds. Codes pairing is done.



✓ ON/OFF switch



✗ Dimmable switch

*Disconnect power prior to installation, inspection or removal. Do not touch when light is on or when it is hot. If there is any problem with the fixture, turn power off and do not attempt to repair unless you are a qualified technician. Do not expose to water or rain.

PACKING LIST



Expansion pipe



Ceiling Screw



Ceiling Screw



Terminal



Light Fixture



Fan Blades



Controller

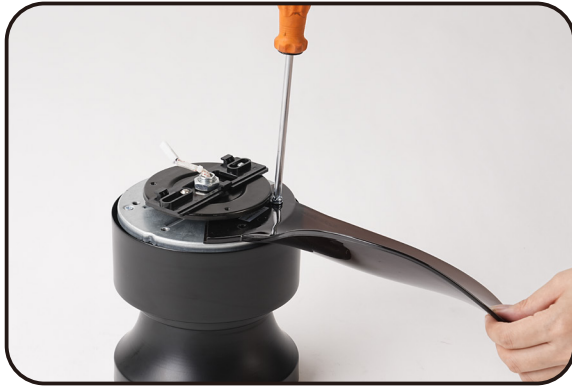


Motor



Remote Control

INSTALLATION GUIDE



Step 1: Fix the fan blade to the motor with screws.



Tips: When fixing the fan blade, the side with the label must be upward.



Step 2: Connect the wires of the lamp and the motor assembly.



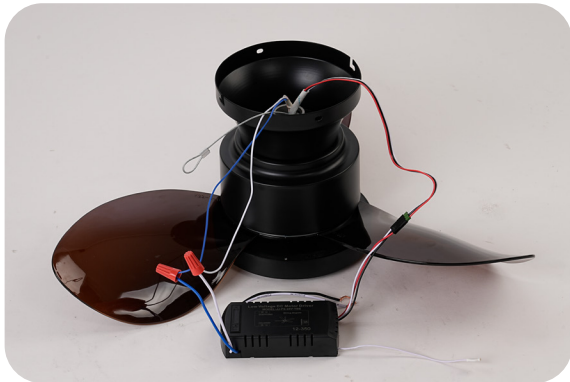
Step 3: Push the light flat and insert it onto the mounting bracket on the motor.



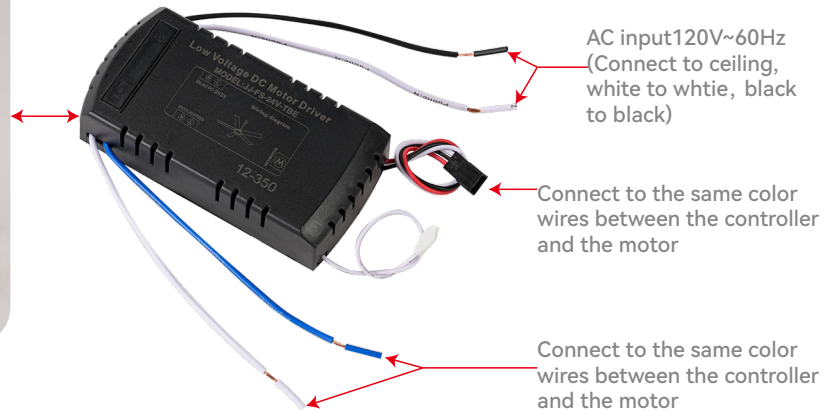
Step 4: Remove the mounting base from the motor.



Step 5: Fix the mounting base to the ceiling with screws.



Step 6: Connect the wires between the controller and the motor.





Step 7: Hung the whole ceiling fan to the mounting base by the lanyard.



Step 8: Connect the AC cables and ground wire.



Step 9: Hang the whole ceiling fan to the ceiling mounting base.



Step 10: Secure the fan and base with screws. Installation is complete.