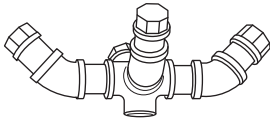
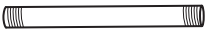
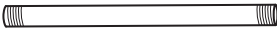

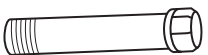

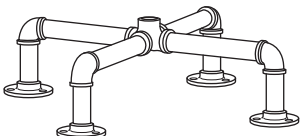


# 65-Inch Industrial Pipe 12-Hook Coat Stand

| No. | Part  | Pcs |
|-----|---|-----|
| A   |    | 1   |
| B   |    | 1   |
| C   |    | 2   |
| D   |    | 1   |
| E   |    | 8   |
| F   |   | 1   |
| G   |  | 1   |

