

INSPIREDHOME®

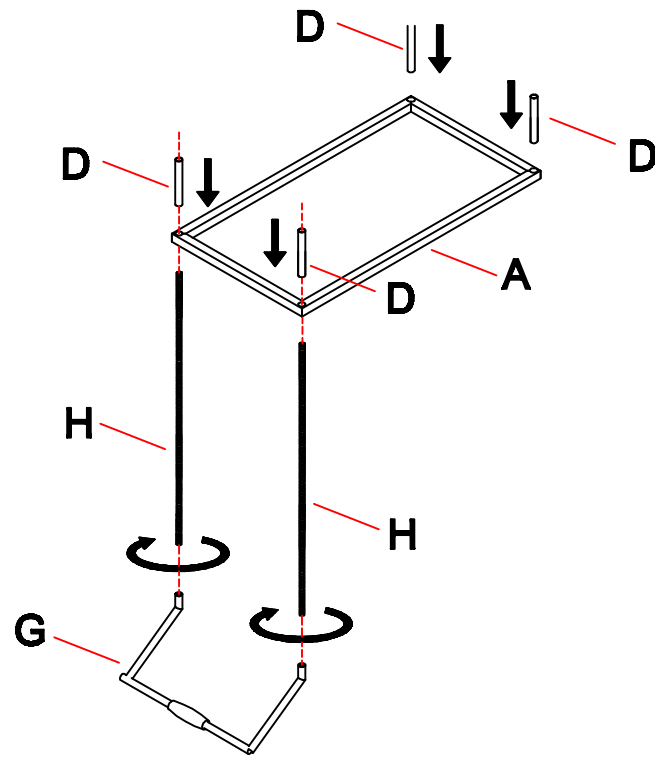
NBC125 Assembly Instructions

Lonnie

Parts

NO.	Picture	Description	Size	QTY
A		Metal shelf	27**16 1/2**1/2"	1
B		Metal shelf	27**16 1/2**1/2"	1
C		Metal shelf	27**16 1/2**1/2"	2
D		Metal tube	3**Ø5/8"	8
E		Metal tube	1.5**Ø5/8"	4
F		Metal tube	18**Ø5/8"	4
G		Metal armrest	24 1/4**13 3/4**2 3/8"	1
N		Glass shelf or mdf	25 1/8**14 5/8**3/16"	2

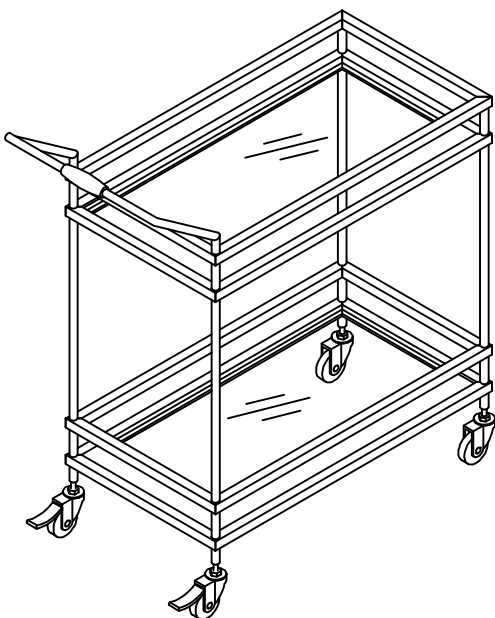
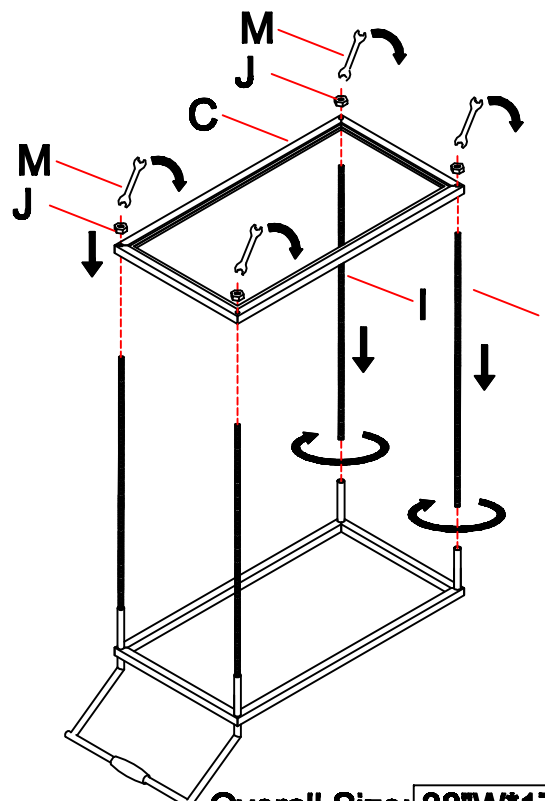
STEP 1: Place metal armrest (G) upside down on a clean and soft surface, then insert Bolt (H) into the the corresponding hole of Armrest by $\frac{9}{16}$ " deep, and put the side with $\frac{1}{4}$ " dia. hole of Metal shelf (A) cross the Bolt (H) through the hole $\frac{1}{4}$ " in one side and another side with hole of $\frac{5}{8}$ " is upside, then insert 4 Metal tube (D) into the corresponding holes of $\frac{5}{8}$ " as diagram shown.



Hardware

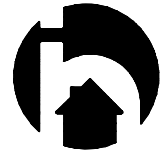
NO.	Picture	Description	Size	QTY
H		Screw	1/4**25 9/16"	2
I		Screw	1/4**24 13/16"	2
J		Nut	1/4"	8
K		Wheel with brake	2"	2
L		Wheel	2"	2
M		Wrench		1

STEP 2: Insert another Bolt (I) with 24 $\frac{13}{16}$ " length into the corresponding holes in another side of Metal shelf (A) and tighten it. Then put metal shelf (C) cross the Bolt(I) through the holes of $\frac{5}{8}$ " dia. onto the Metal tube (D), and insert the Nut (J) onto the Bolt and tighten it with Wrench (M) as diagram shown.



Overall Size: 38"W*17"D*34"H

page:1/3



INSPIREDHOME[®]

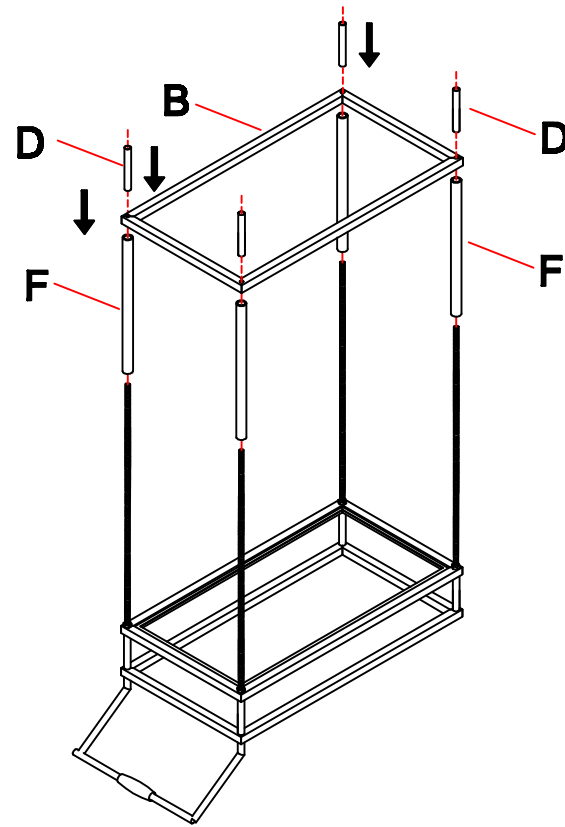
NBC125 Assembly Instructions

Lonnie

Parts

NO.	Picture	Description	Size	QTY
A		Metal shelf	27**16 1/2**1/2"	1
B		Metal shelf	27**16 1/2**1/2"	1
C		Metal shelf	27**16 1/2**1/2"	2
D		Metal tube	3**Ø5/8"	8
E		Metal tube	1.5**Ø5/8"	4
F		Metal tube	18**Ø5/8"	4
G		Metal armrest	24 1/4**13 3/4**2 3/8"	1
N		Glass shelf or mdf	25 1/8**14 5/8**3/16"	2

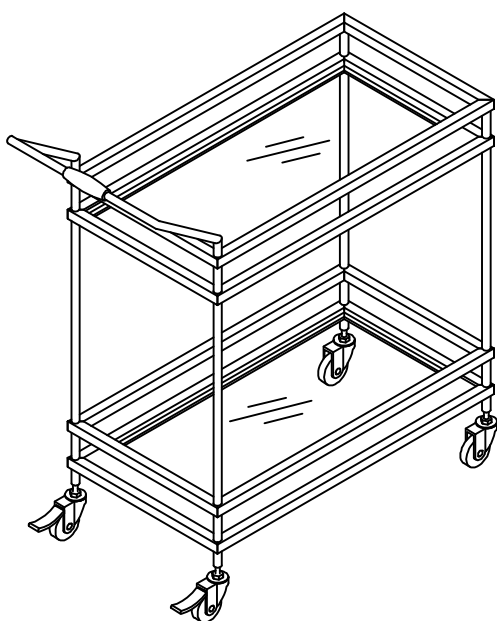
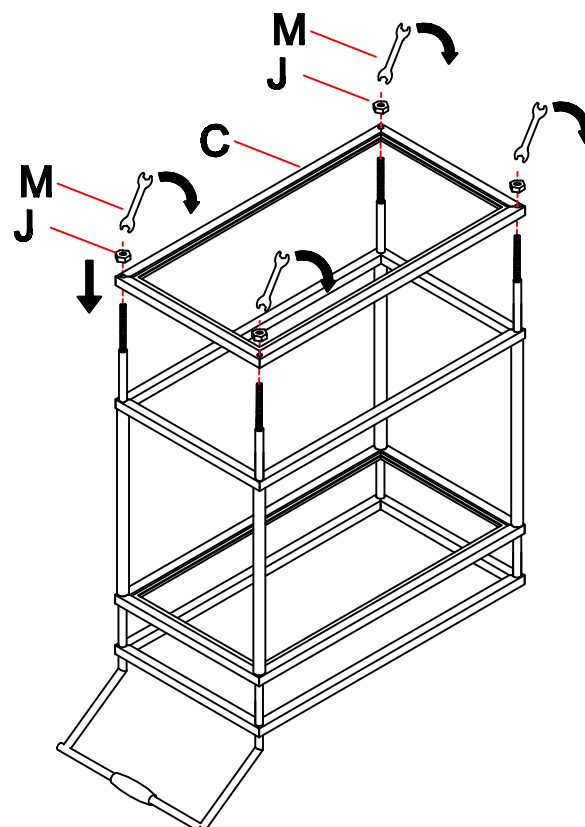
STEP 3 : Insert 4 Metal tube(F) into Bolt(H,I) ,and put Metal shelf (B) onto metal tube(F) by cross the hole of 5/8"dia. of bottom side,then insert metal tube (D) onto the corresponding holes on top as diagram shown.



Hardware

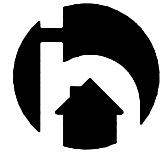
NO.	Picture	Description	Size	QTY
H		Screw	1/4**25 9/16"	2
I		Screw	1/4**24 13/16"	2
J		Nut	1/4"	8
K		Wheel with brake	2"	2
L		Wheel	2"	2
M		Wrench		1

STEP 4: Connect Metal shelf (C) with metal tube (D) though the side of hole 5/8" dia.,then insert Nut(J) into the corresponding holes and tighten with Wrench(M) as diagram shown.



Overall Size: 38"W*17"D*34"H

page:2/3



INSPIREDHOME[®]

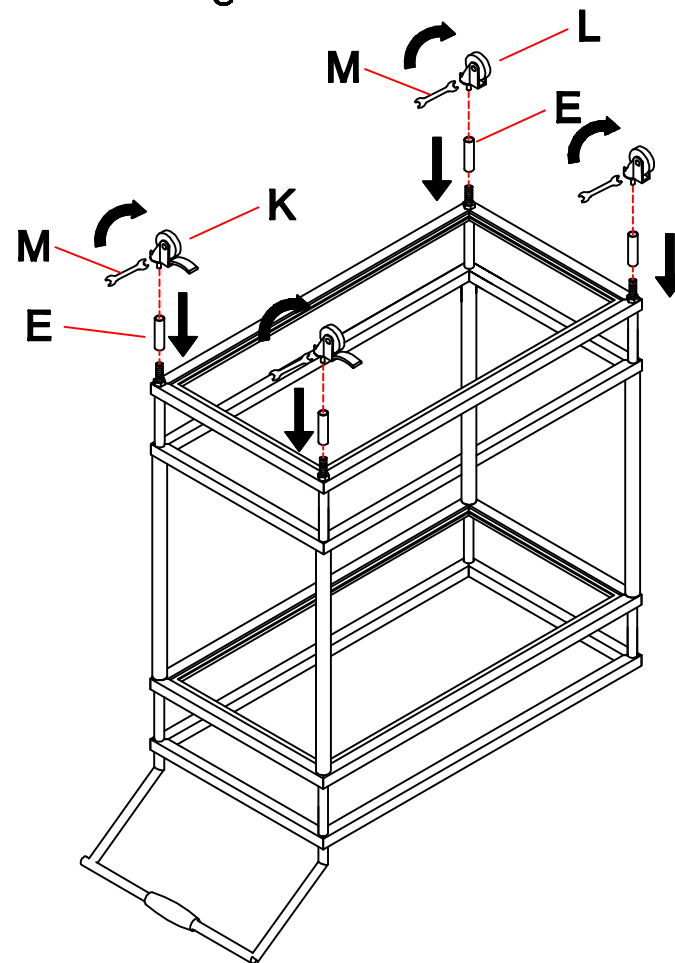
NBC125 Assembly Instructions

Lonnie

Parts

NO.	Picture	Description	Size	QTY
A		Metal shelf	27**16 1/2**1/2"	1
B		Metal shelf	27**16 1/2**1/2"	1
C		Metal shelf	27**16 1/2**1/2"	2
D		Metal tube	3**Ø5/8"	8
E		Metal tube	1.5**Ø5/8"	4
F		Metal tube	18**Ø5/8"	4
G		Metal armrest	24 1/4**13 3/4**2 3/8"	1
N		Glass shelf or mdf	25 1/8**14 5/8**3/16"	2

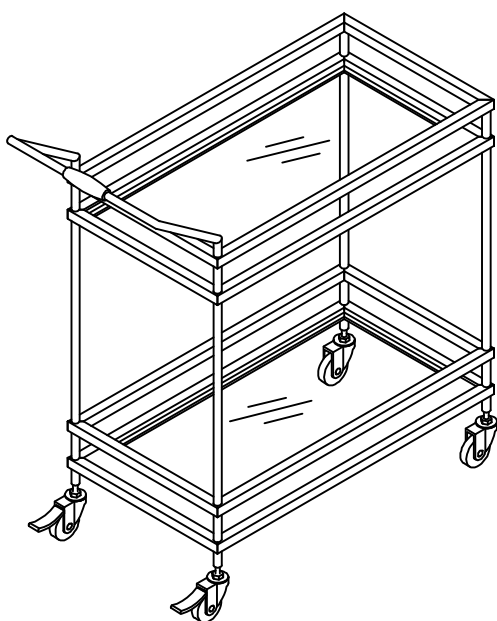
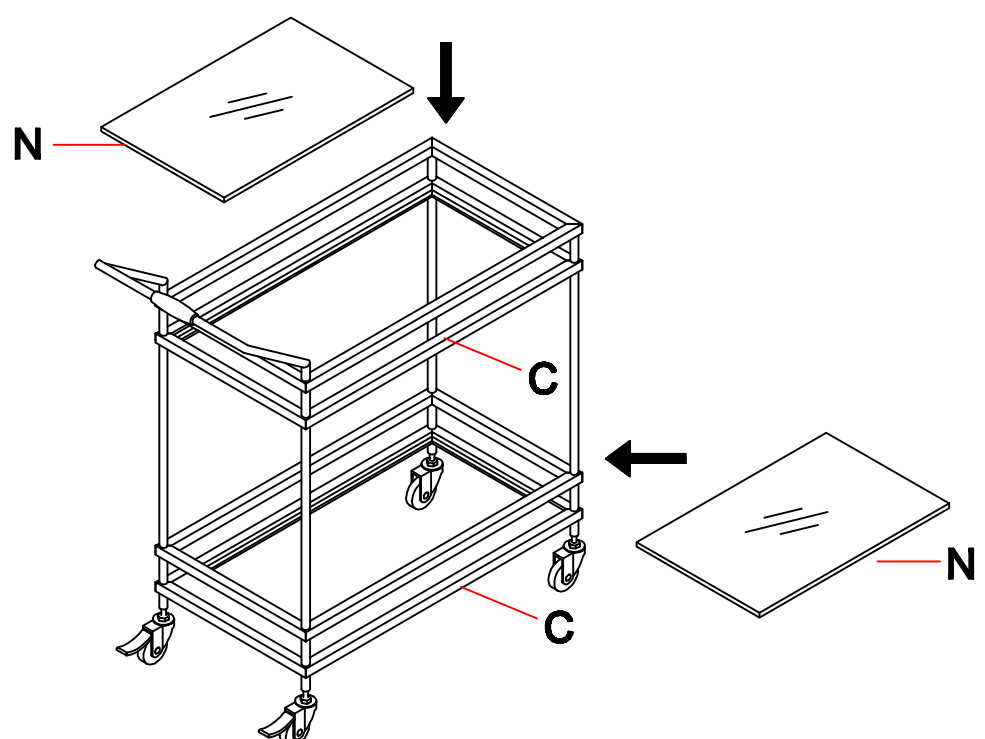
STEP:5、Insert Metal tube(E) onto the bolt with nut, then insert wheel with brake (K) into the metal tube in side of armrest, and wheel(L) for another side, then tighten them with Wrench. as diagram shown.



Hardware

NO.	Picture	Description	Size	QTY
H		Screw	1/4**25 9/16"	2
I		Screw	1/4**24 13/16"	2
J		Nut	1/4"	8
K		Wheel with brake	2"	2
L		Wheel	2"	2
M		Wrench		1

STEP:6、Put the glass shelf or wood shelf (N) on the frames (C) as diagram shown.



Overall Size: 38"W*17"D*34"H

page:3/3