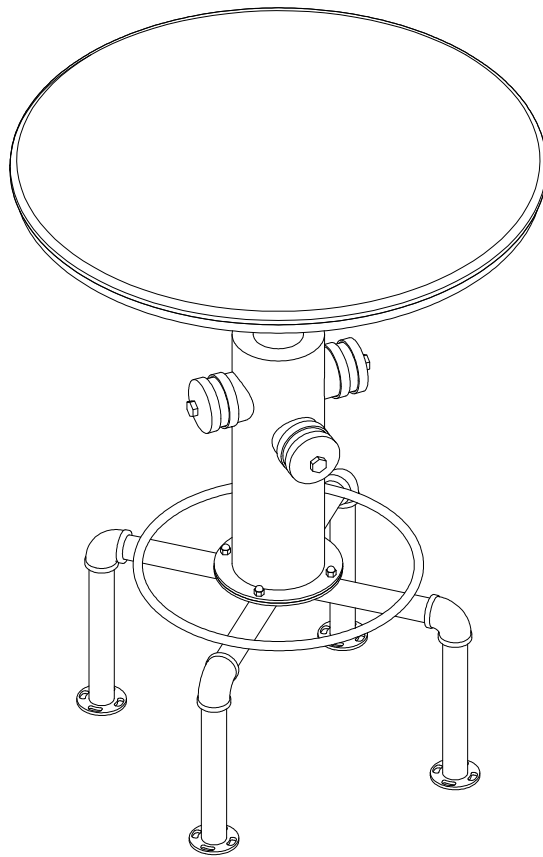


Assembly Instructions



ASSEMBLY RATING

The Assembly Rating is a 5-point system that shows the degree of effort needed in assembling a specific product (with 1 being easy and 5 being difficult). For some products, two persons are recommended.

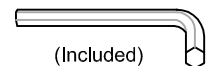
EASY



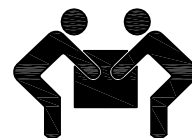
DIFFICULT

Tools Required For Assembly:

Allen Wrench



(Included)

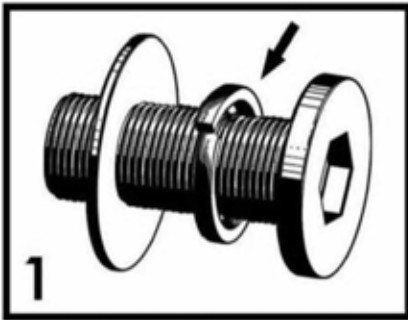


2 PERSONS RECOMMENDED

ASSEMBLY & CARE ADVICE

FOR YOUR FURNITURE TO LAST, CORRECT ASSEMBLY AND PROPER MAINTENANCE ARE NECESSARY. PLEASE FOLLOW THE INFORMATION PROVIDED BELOW TO FULLY ENJOY YOUR FURNITURE.

BASIC ASSEMBLY TECHNIQUES



When lock or spring washer is used in an assembly, please make sure the lock or spring washer is placed between the larger flat washer and the head of the screw or bolt.



Position each part correctly and insert screws or bolts into their respective holes by hand tighten or using the proper hand tool. Only tighten when step is completed or when instructed to do so.



Use cardboard or carpet area when assembling furniture to prevent scratches. Make sure the furniture rests on a flat and level surface with each leg evenly touching the floor.



Some furniture comes with height adjustment knobs underneath each leg. To lower or to raise each leg, you need to turn clockwise or counterclockwise, respectively.



Make sure all parts are properly aligned, then use the appropriate hand tool to completely tighten the bolts or screws. Do not use power tools and do not overtighten.



Save the instructions and store the Allen wrench or any supplied tool for later maintenance. After two weeks, check and tighten any loose hardware and repeat again every six months thereafter.

IT IS THE USER'S RESPONSIBILITY TO MAINTAIN THE FURNITURE. THE HARDWARE MAY LOOSEN OVER TIME AND MAY CAUSE THE FURNITURE TO BE WOBBLY AND UNABLE TO SUPPORT ITS INTENDED WEIGHT CAPACITY. THIS MAY LEAD TO COLLAPSE AND MAY CAUSE SERIOUS INJURY.



FAILURE TO FOLLOW THE GUIDELINES ABOVE MAY RESULT IN INJURY AND/OR PROPERTY DAMAGE.

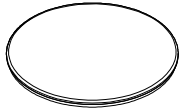


Before you begin, please read Page 2 of "Assembly and Care Advice".

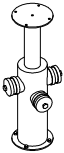
And remember, do not tighten until each step is completed or instructed.

Parts List

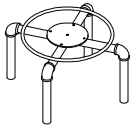
Hardware List



#1 x 1pc
Table Top



#2 x 1pc
Base



#3 x 1pc
Bottom



#4 x 4pcs
Adjustable Foot



#A x 4pcs
Bolt 1/4"X5/8"



#B x 4pcs
Bolt 5/16"X2-1/8"



#C x 1pc
Allen Wrench M4



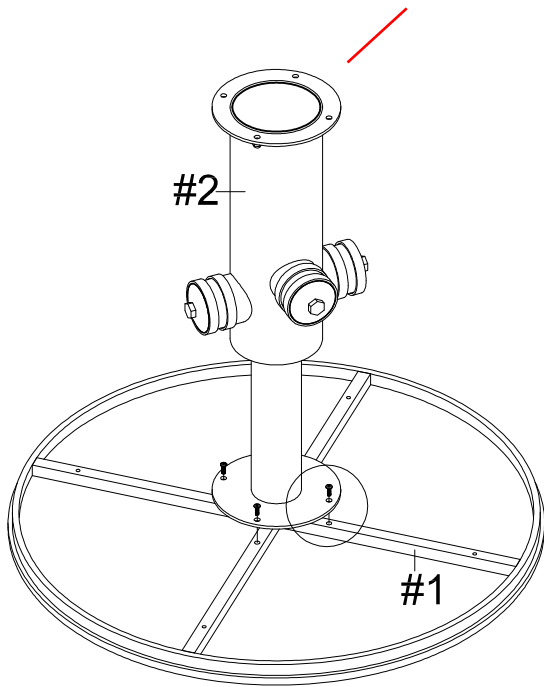
#D x 1pc
Allen Wrench M5



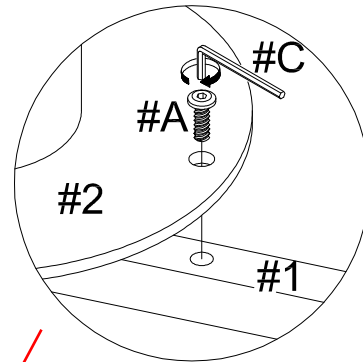
#E x 4pcs
Floor Protector



1) Place the table top (#1) upside down on the ground, then put the base (#2) upside down on top of the table top (#1). Make sure the base (#2) is put on correctly.



#A x 4pcs

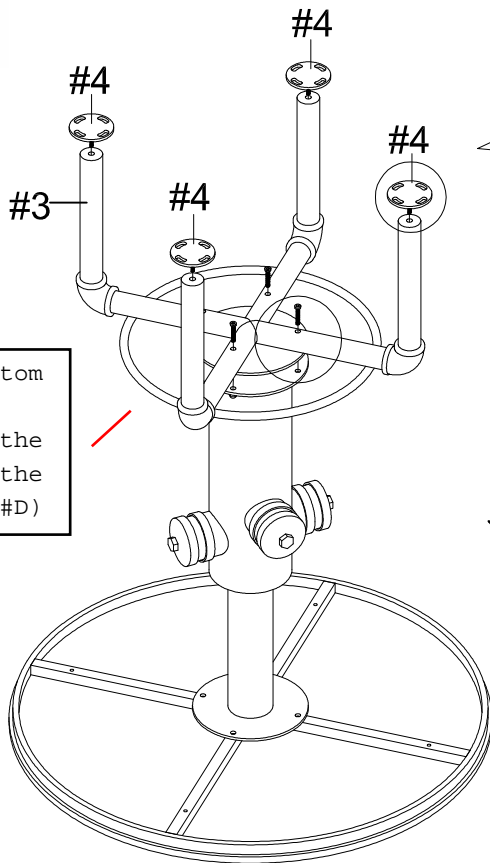


2) Attach the base (#2) with the table top (#1) by screwing in the bolts (#A) with the allen wrench M4 (#C).



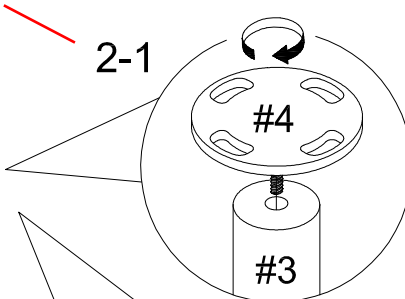
1) Twist the adjustable foot (#4) onto the bottom (#3) until it's secure and tight.

#B x 4pcs
#E x 4pcs



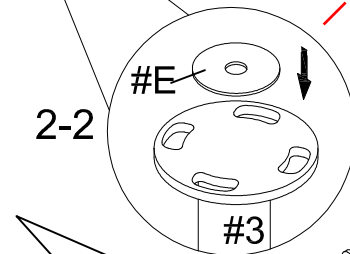
3) Attach the bottom (#3) to the base (#2) by screwing the bolts (#B) using the allen wrench M5 (#D)

2-1

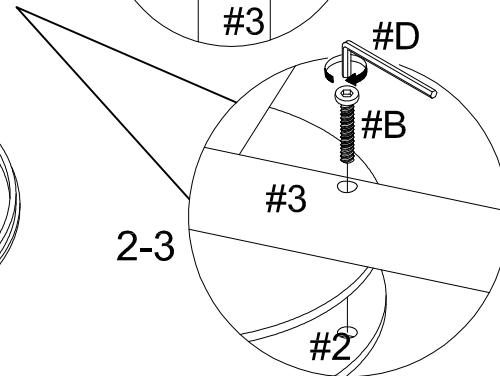


2) Put the floor protectors (#E) onto the adjustable feet (#4) that are attached to the bottom (#3).

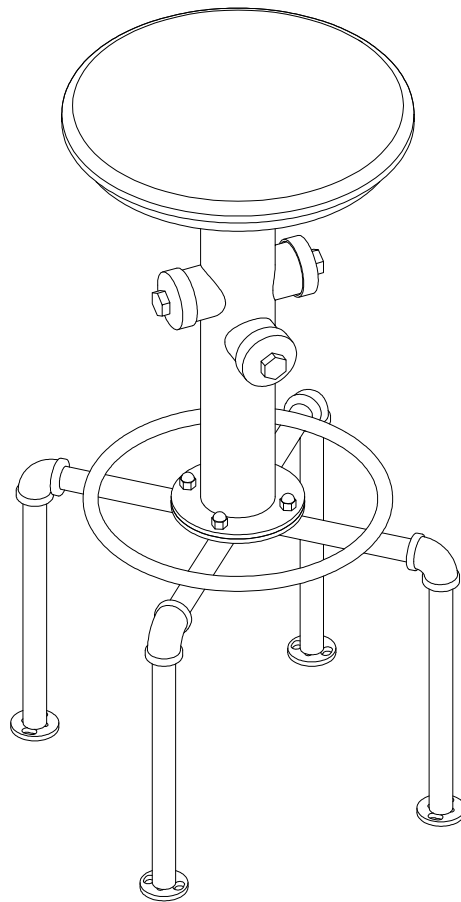
2-2



2-3



Assembly Instructions



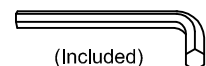
ASSEMBLY RATING

The Assembly Rating is a 5-point system that shows the degree of effort needed in assembling a specific product (with 1 being easy and 5 being difficult). For some products, two persons are recommended.

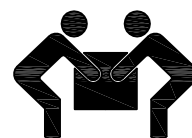
EASY  DIFFICULT

Tools Required For Assembly:

Allen Wrench



(Included)





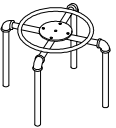

2 PERSONS RECOMMENDED








Before you begin, please read Page 2 of "Assembly and Care Advice".

And remember, do not tighten until each step is completed or instructed.

Parts List

-  #1 x 1pc
Seat Panel
-  #2 x 1pc
Base
-  #3 x 1pc
Bottom
-  #4 x 4pcs
Adjustable Foot

Hardware List

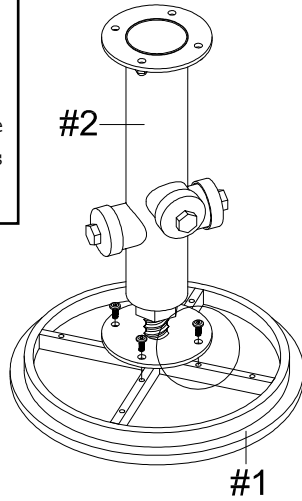
-  #A x 4pcs
Bolt 1/4"x 5/8"
-  #B x 4pcs
Bolt 5/16"x 1-5/8"
-  #C x 1pc
Allen Wrench M4
-  #D x 1pc
Allen Wrench M5
-  #E x 4pcs
Floor Protector



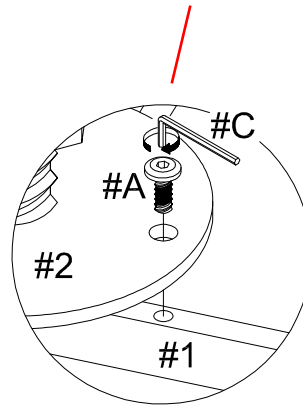
#1

#A x 4pcs

1) Place seat panel (#1) upside down on the ground, then put the base (#2) upside down on top of the seat panel (#1). Make sure the base (#2) is put on correctly.



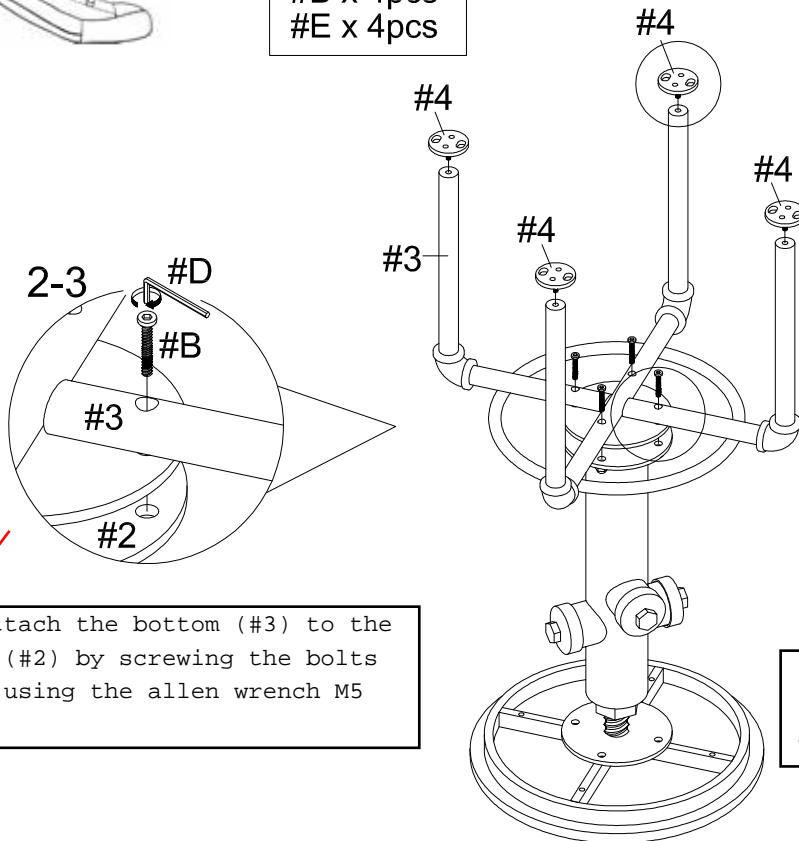
2) Attach the base (#2) with the seat panel (#1) by screwing in the bolts (#A) with the allen wrench M4 (#C).



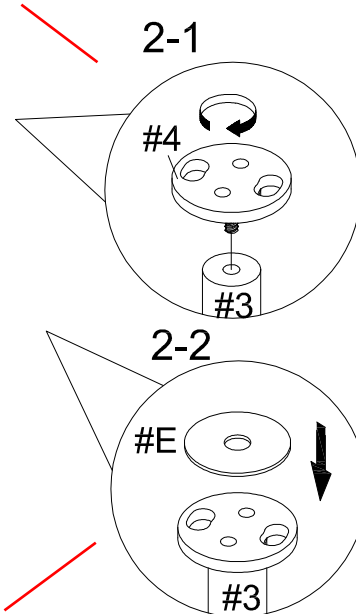
#2

#B x 4pcs
#E x 4pcs

1) Twist the adjustable foot (#4) onto the bottom (#3) until it's secure and tight.



3) Attach the bottom (#3) to the base (#2) by screwing the bolts (#B) using the allen wrench M5 (#D).



2) Put the floor protectors (#E) onto the adjustable feet (#4) that are attached to the bottom (#3).