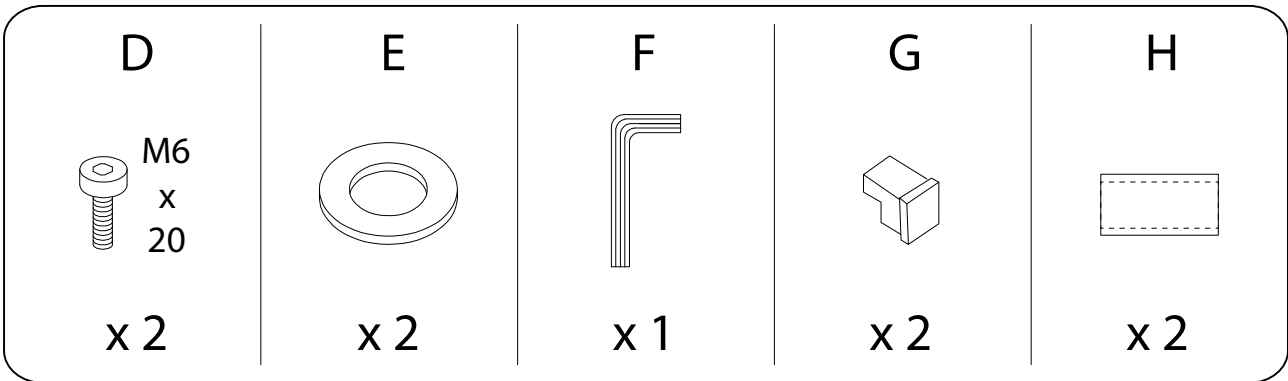
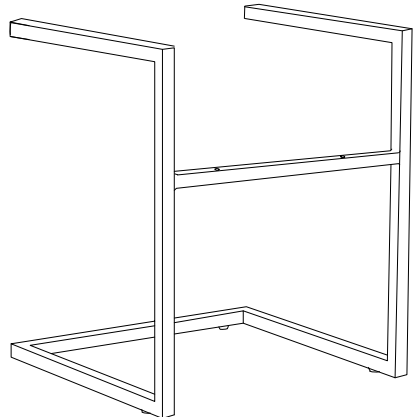
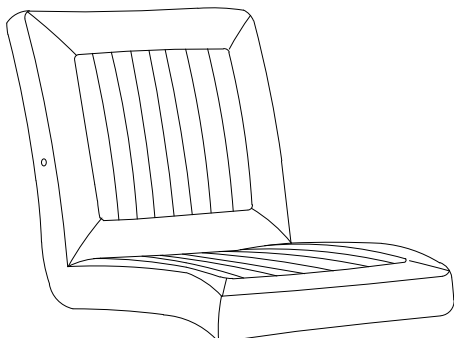
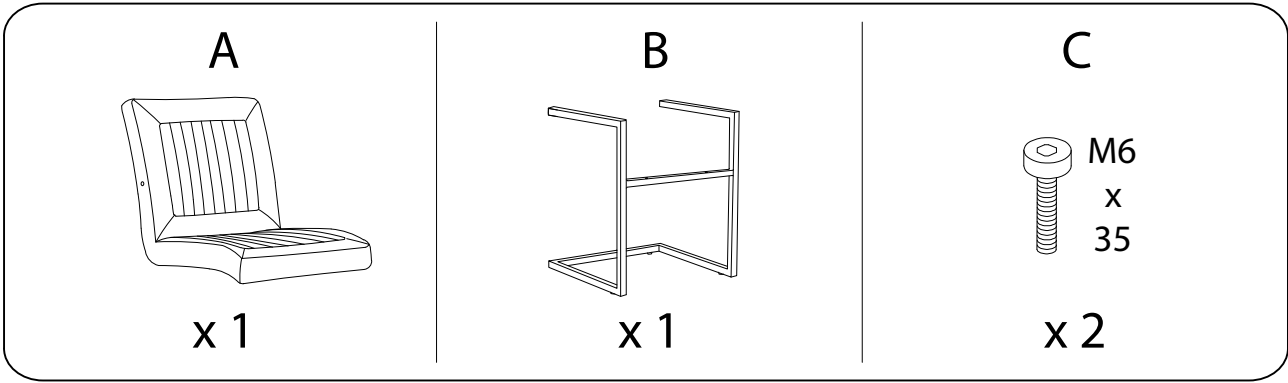
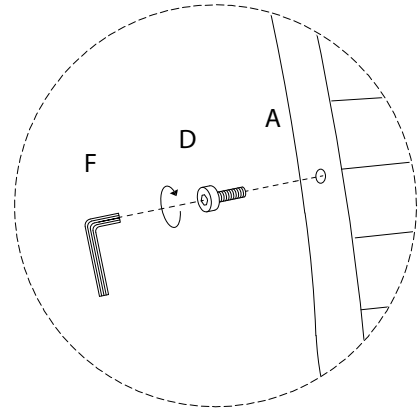
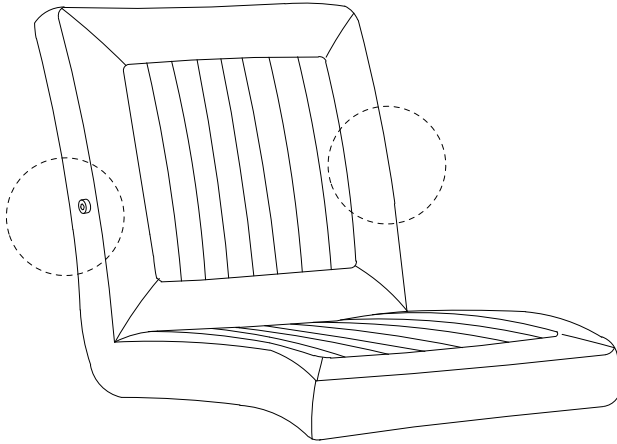
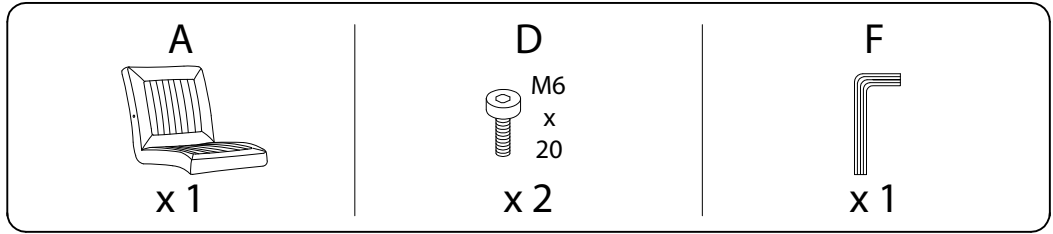


Diagram illustrating assembly instructions and safety warnings:

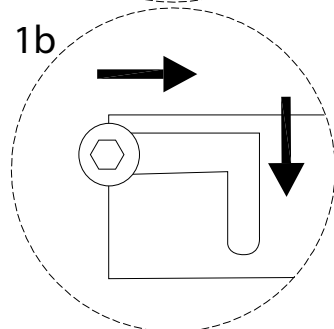
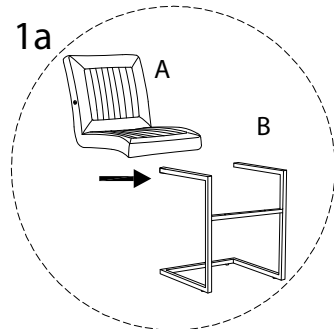
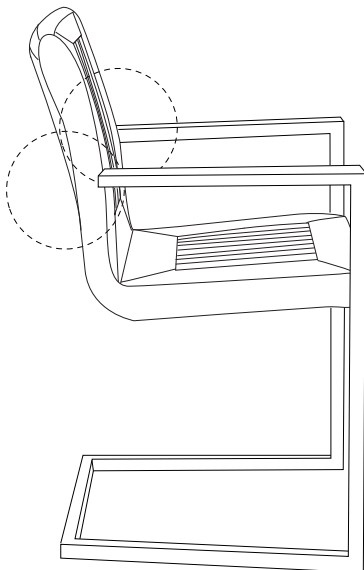
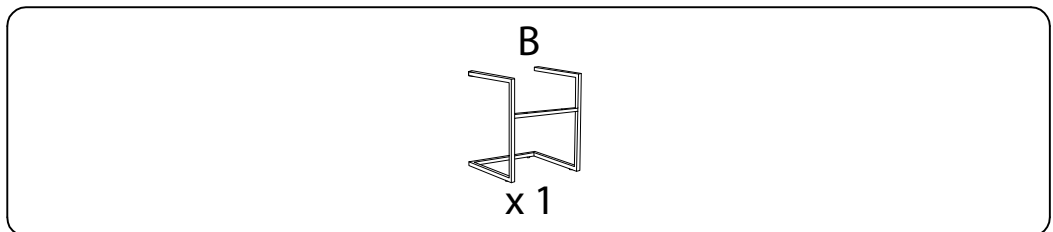
- Warning 1:** A warning triangle with an exclamation mark is positioned above a box containing an L-shaped metal bracket and a crossed-out power drill icon, indicating that a power drill should not be used for this step.
- Warning 2:** A second warning triangle with an exclamation mark is positioned above a box containing a rectangular block being placed on a textured surface and a crossed-out icon of the block being placed on a smooth surface, indicating that the block should be placed on a textured surface.
- Time:** A clock icon is shown next to the text "15'", indicating a 15-minute assembly time.
- Person:** An icon of a person is shown next to the number "1", indicating that one person is required for this step.



1



2

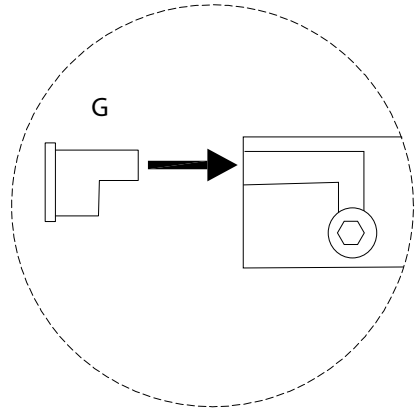
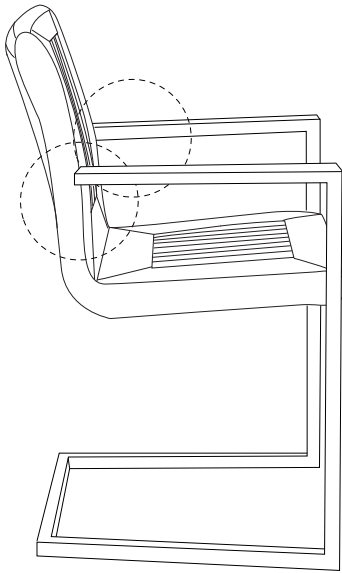


3

G



x2



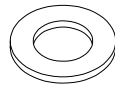
4

C



x2

E

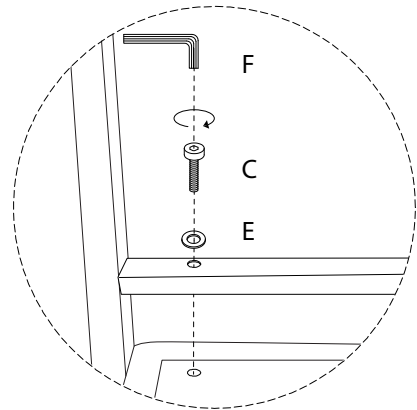
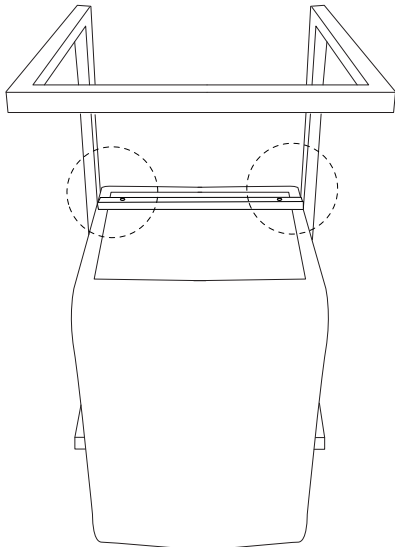


x2

F



x1



5

H



x2

