

ACACIA SERENA NIGHTSTAND



Thank you for purchasing this quality product. Be sure to check all packing material carefully for small parts which may have come loose inside the carton during shipment. Identify and count all parts and compare with the parts list below.





Read all assembly and care instructions carefully before using this product. Save these instructions for future reference.

- Select a smooth, level surface to place the nightstand.
- Assemble components on a soft, clean surface to avoid scratching and/or damaging the finish.
- Ensure all parts are accounted for before disposing of packaging.
- Using incompatible hardware might cause damages to product.
- This package contains small parts. Keep away from children prior and during assembly. Adult assembly is required.

ASSEMBLY



IMPORTANT INFORMATION

Under normal use, Serena Nightstand will last for years.

It is, however, important to follow basic care tips to prolong the life of your nightstand.

USE & CARE

- Clean the product with mild cleanser using soft damp cloth.
- Do not use harsh or abrasive cleansers.
- Alter the finish might damage the integrity of the product.
- Avoid dragging sharp or rough objects across the surface.
- Avoid direct sunlight exposure.
- Do not place near heating units or vents.
- Promptly wipe up any spills or any other moisture.

TROUBLESHOOTING

If the nightstand seems unstable, make sure it is on a level surface and the feet are correctly distributed as shown in the assembly instructions. Also make sure that all components are assembled correctly and the hardware is securely tightened.

Any modification or failure to follow the recommended care will void the product warranty.

WARRANTY INFORMATION

Thank you for choosing ACACIA. We stand behind our brand and the quality of the items we sell.

Acacia is not responsible for normal wear and tear, for products used commercially or for failures caused by accidents, abuse, alteration, modification, misuse or improper care.

There are no other express warranties beyond the terms of this limited warranty. In no event shall any implied warranties, including merchantability and fitness for a particular purpose, extend beyond the duration of the express warranty contained herein. In no event shall Acacia be liable for incidental or consequential damages.

Serena Nightstand is covered by 05-year limited warranty.

Replacement parts or products will be sent at our discretion if the defect is the result of any fault on our side. Proof of purchase, with the date of purchase as well as photos of the defective merchandise, must be provided. Photos are used to determine the cause of defects and for future quality control.

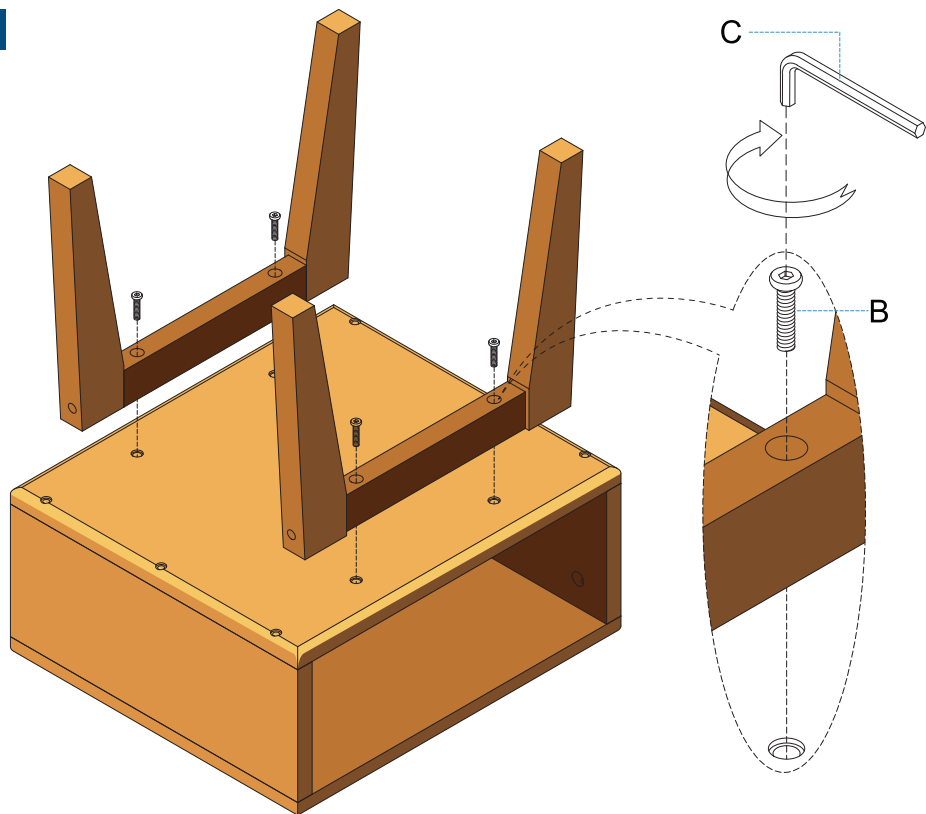
Please contact Acacia Customer Service directly; or if you have any questions, comments or concerns by emailing us at customerservice@acaciavn.com, or via our Contact Us page at www.acaciavn.com/contact-us/

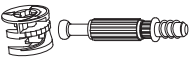
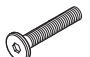
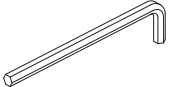




WARNING!

Manufacturer and seller expressly disclaim any and all liability from personal injury, property damage or loss, whether direct or indirect, or incidental, resulting from the incorrect attachment, improper use, inadequate maintenance, or neglect of this product, external influence, and force majeure.

5



HARDWARE LIST			
A		CAMLOCK	6
B		Ø8 x 35 BOLT	4
C		ALLEN KEY	1
D		HEX HEAD WOOD SCREW M7X40	6
E		Ø6 x 50 SCREW	4

