










Assembly Instructions

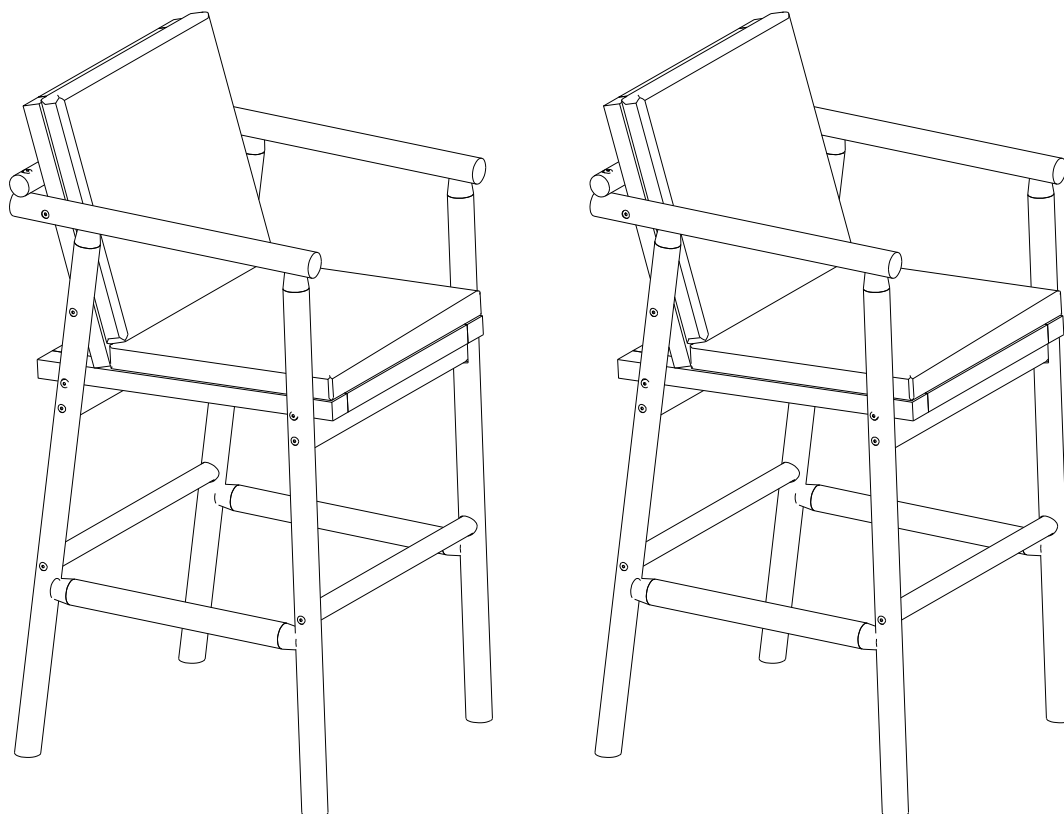
CAUTION: You must read this before you proceed

Care & Maintenance

- ⊘  • Not for commercial use. For residential use only
- ⊘  • Do not put hot items directly on furniture surface.
- ⊘  • Do not clean furniture with harsh cleansers or polish.
- ✓  • To obtain the longest lifespan of your outdoor products, minimizing exposure to direct sunlight is recommended.
- ⊘  • Children should not climb or jump on the furniture.
- ⊘  • Do not write on furniture without a padded barrier to protect the surface.
- ✓  • To obtain the longest lifespan of your outdoor products, avoid extended and lengthy exposure to rain, snow, and direct sunshine. Whenever possible cover the product and /or place under patio or awnings.
- ⊘  • Stains may be removed with mild soap solution and damp cloth.
- ✓  • Dust and pick-up spills using a clean, non-colored, lint-free cloth.

ASSEMBLY INSTRUCTION

CHAIR BAR

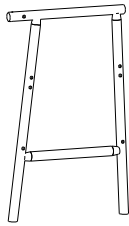
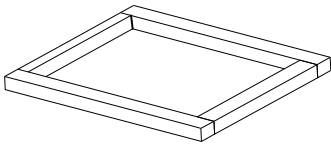
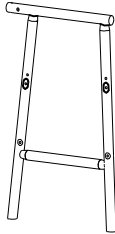
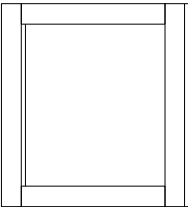
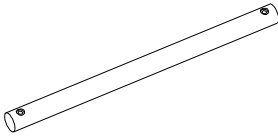
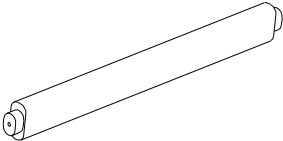


N704P383163

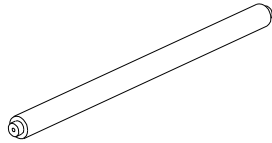
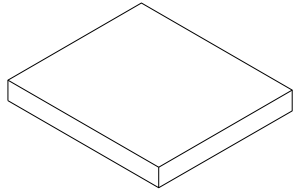
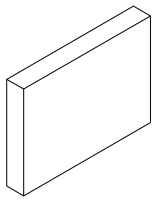
Notice:

1. 50% Tighten before fixing all screws, Allen wrench is recommended instead of an electric drill.
2. Place the item on a flat ground to adjust and make sure it remains stable.
3. Tighten up all screws with tools gradually.
4. If the screws are not aligned with holes during assembly, please loosen all the other screws to 50% and continue the assembly process.
5. If the item is not stable, please loosen all the screws, adjust it on a flat ground and tighten up all screws again.
6. Note : If one or some screws are fully tightened during assembly, chances are the others will not be aligned with holes. In addition, all the holes are designed to be relatively larger to provide more space for the adjustment of the screws.





Parts List

Label	Picture	Description	QTY
A		Left Leg Panel	2
B		Seat Panel	2
C		Right Leg Panel	2
D		Backrest Panel	2
E		Back Support Rail	2
F		Upper Side Rail	4

Parts List

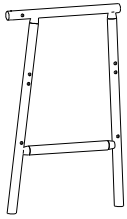
Label	Picture	Description	QTY
G		Seat Panel	4
H		Seat Cushion	2
I		Back Cushion	2

Hardware

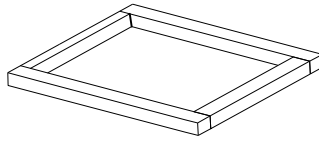
Label	Picture	Description	QTY
①		Screw (M6x70mm)	17
②		Bolt (M6x60mm)	17
③		Bolt (M6x40mm)	5
⑧		Allen Wrench	1

Assembly Steps

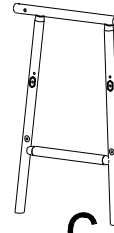
Before Beginning Assembly



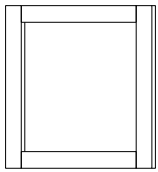
A



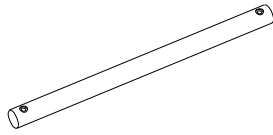
B



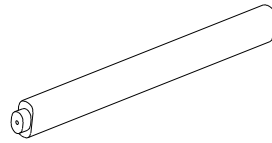
C



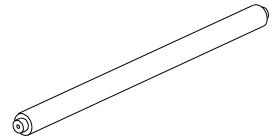
D



E



F



G



x17



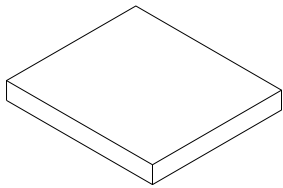
x17



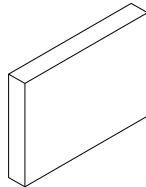
x5



x1



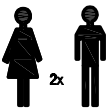
H



I



- Read instructions, cover to cover.



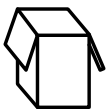
- Have 2 adults on hand for assembly.



- Do not assemble on flooring or carpet.



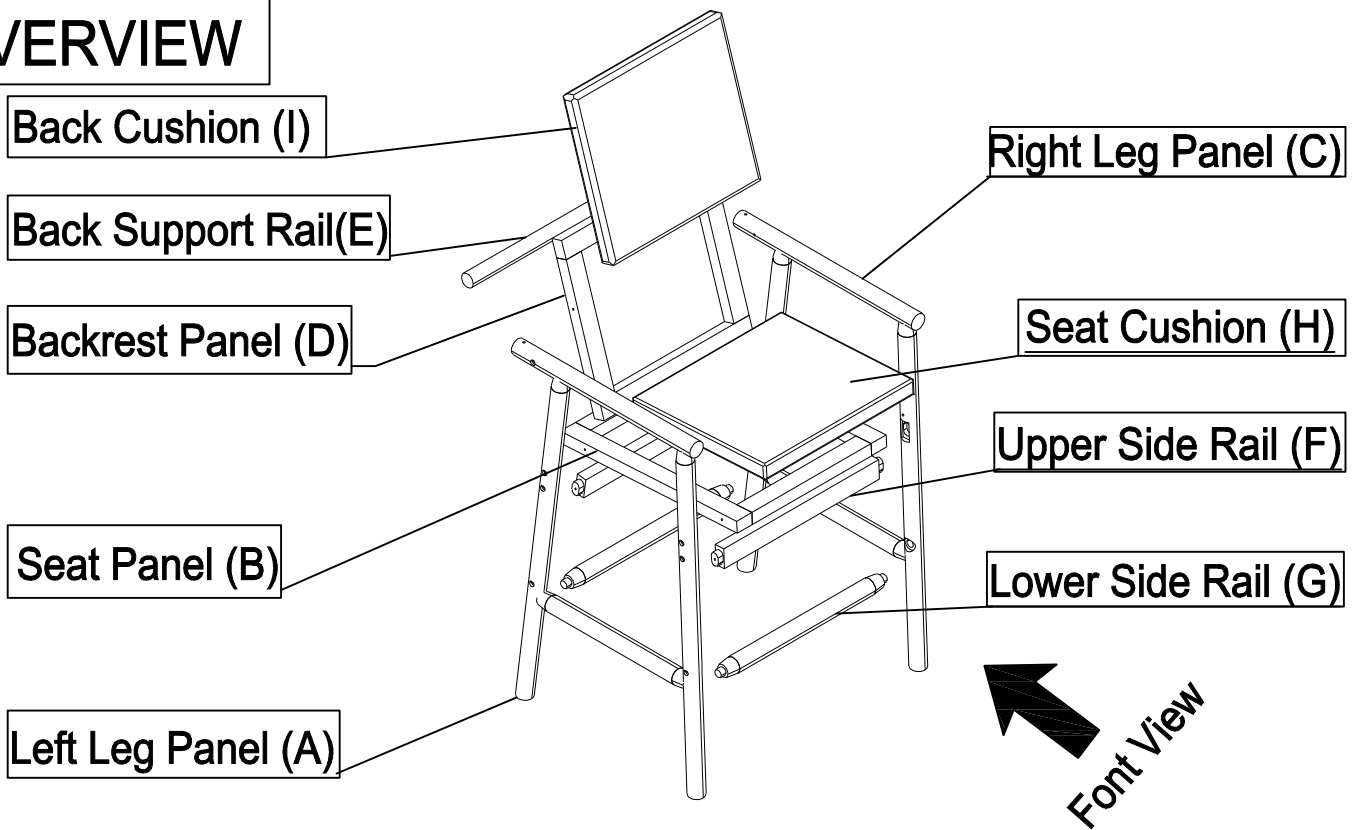
- Assemble on a clean non-marring surface (packing foam).



- Save all packaging until finished.

Assembly Steps

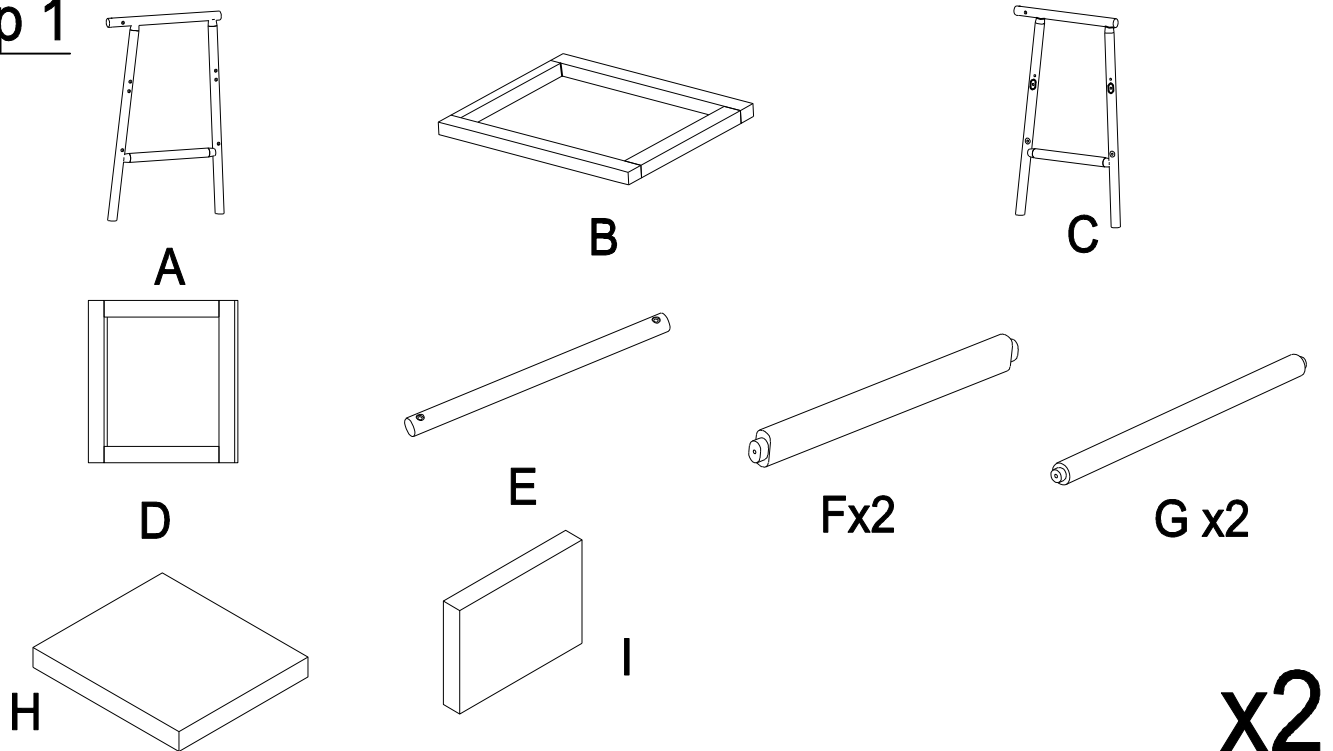
OVERVIEW



This Chair has multiple parts and may require up to some 30 minutes to assemble.

To give you an overview of the Chair, the above picture is to help you put the various parts into perspective. Please read through the instructions below to familiarise yourself with the parts and steps before assembly.

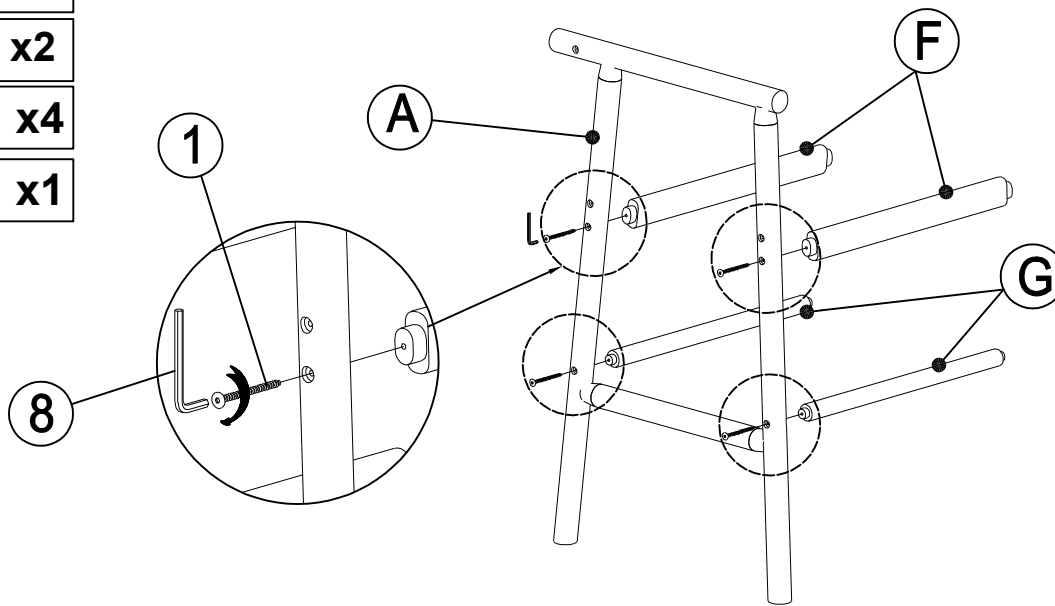
Step 1



Unpack and place all parts on a clean, non-marring surface.

STEP 2

A	x1
F	x2
G	x2
①	x4
⑧	x1



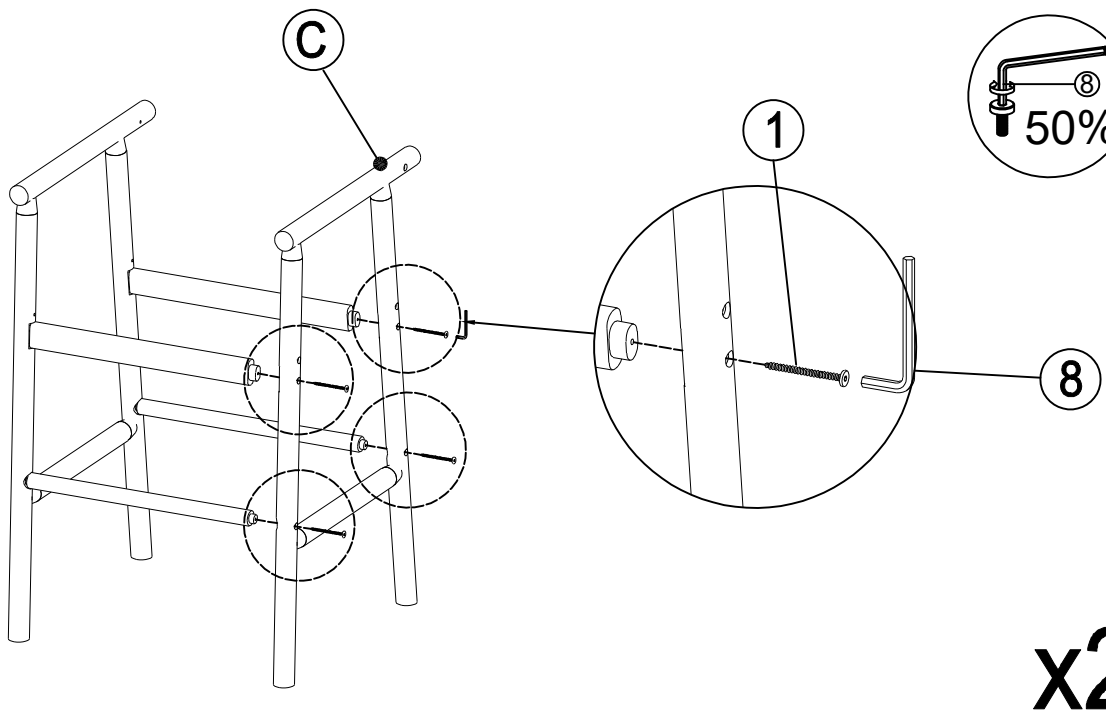
Attach Lower Side Rail (G), Upper Side Rail (F) into Left Leg Panel (A) by using Screw (①) with Allen Wrench (⑧) as show above picture.

Repeat the same step with the remaining Screws.

DO NOT fully tighten the Screws

STEP 3

G	x1
①	x4
⑧	x1



Attach Right Leg Panel (C) into the assembled frame in step 1 by using Screw (①) with Allen Wrench (⑧) as show above picture .

Repeat the same step with the remaining Screws.

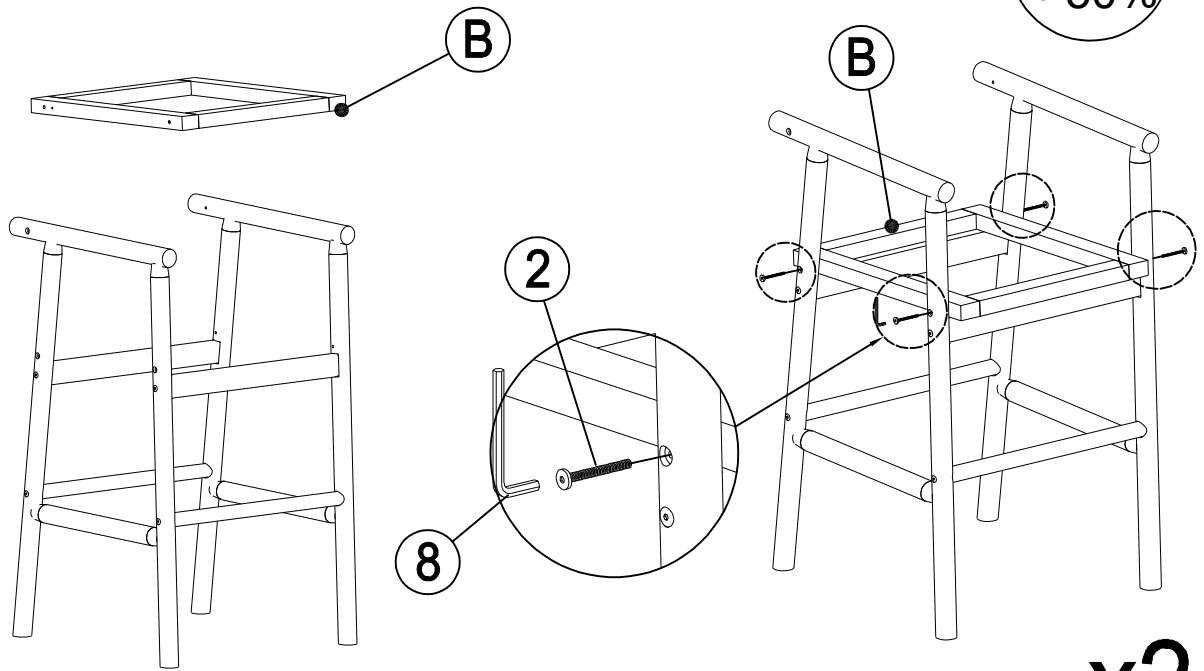
DO NOT fully tighten the Screws

STEP 4

B x1

2 x4

8 x1



Attach Seat Panel (B) into the assembled frame in step 2 by using Bolt ((2)) with Allen Wrench ((8)) as show above picture.

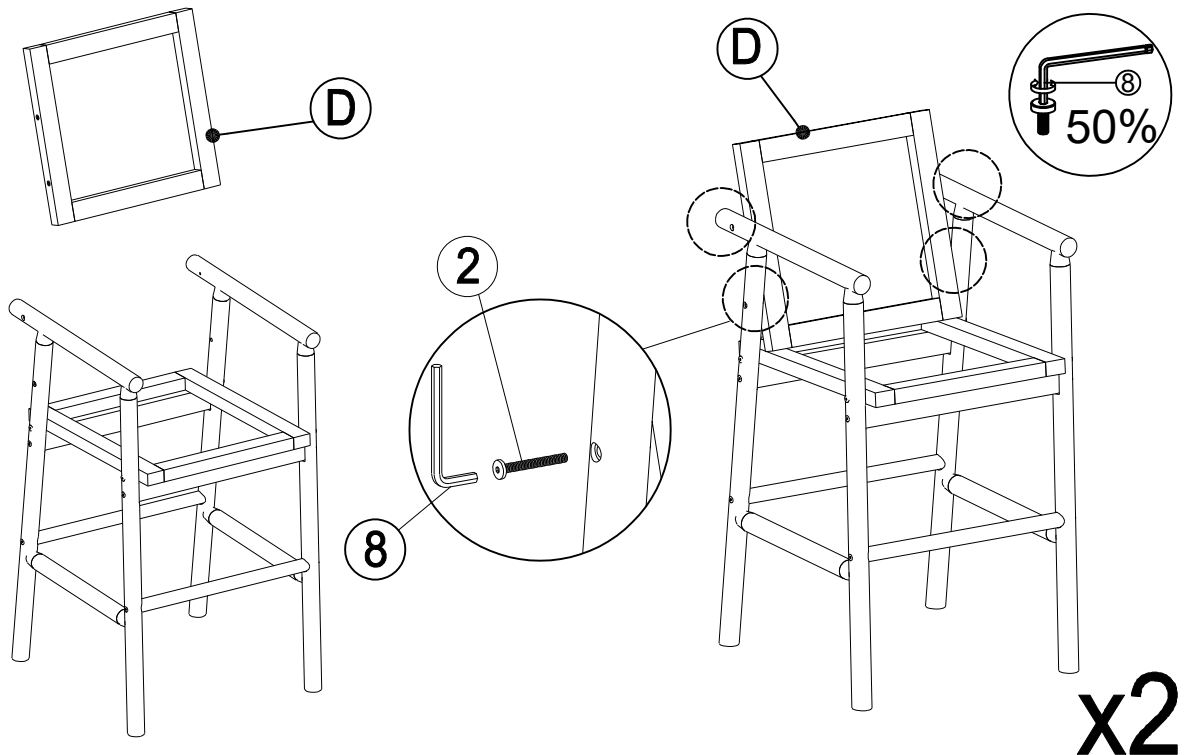
Repeat the same step with the remaining Screws.

DO NOT fully tighten the Bolts

STEP 5

D x1

2 x4



Attach Backrest Panel (D) into the assembled frame in step 3 by using Bolt ((2)) with Allen Wrench ((8)) as show above picture.

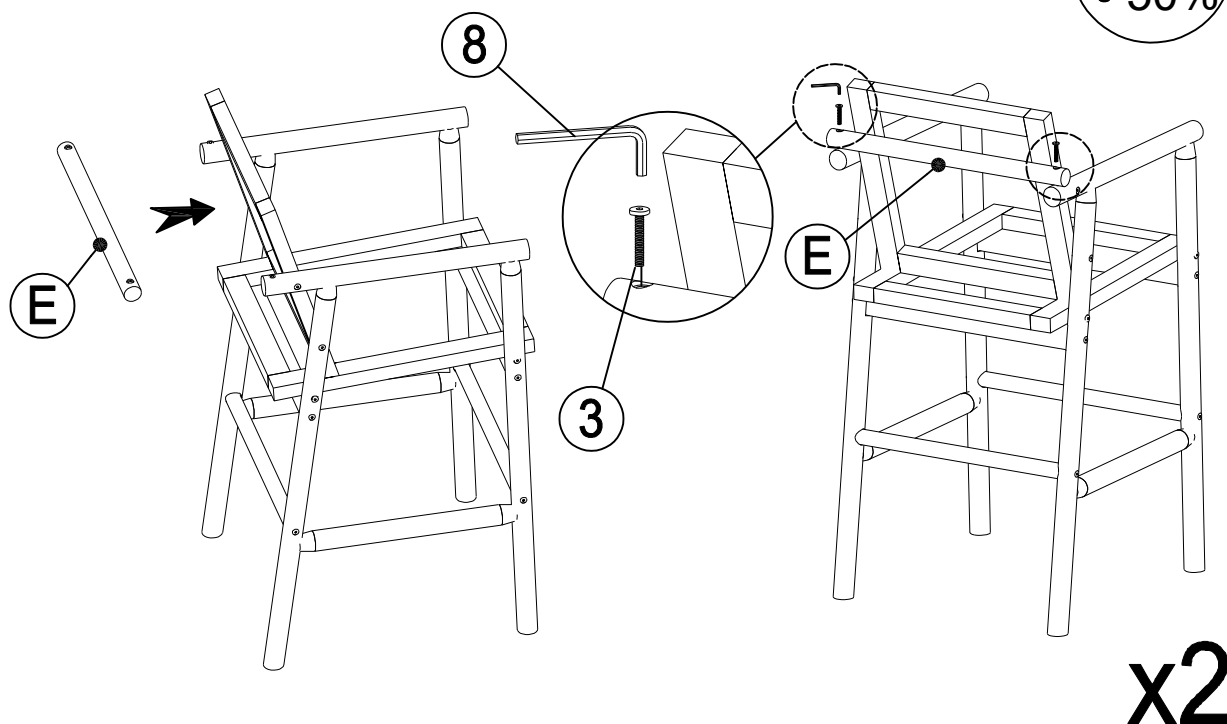
Repeat the same step with the remaining Screws.

DO NOT fully tighten the Bolts.

STEP 6

E x1

③ x2



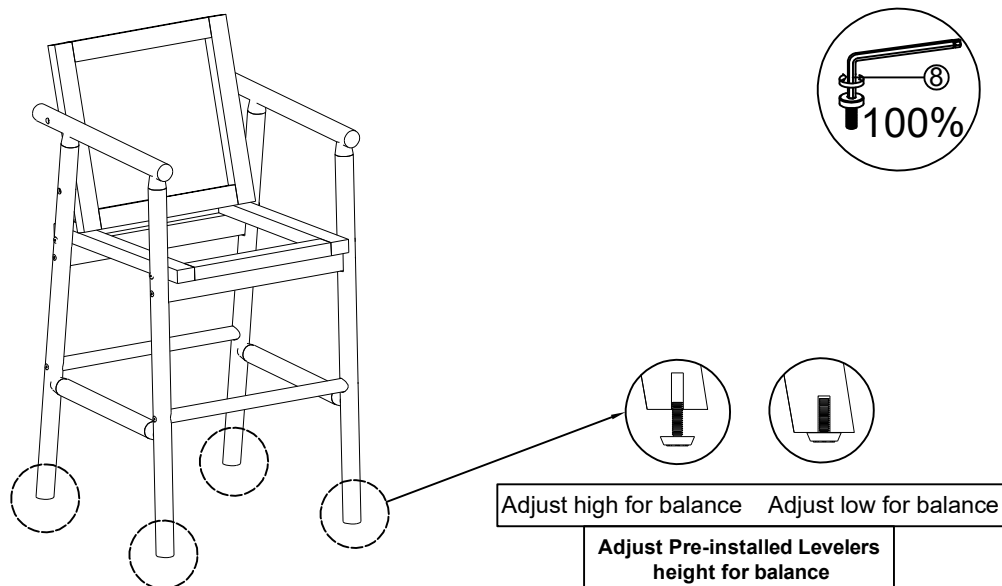
Attach Back Support Rail (E) into the assembled frame in step 5 by using Bolt (③) with Allen Wrench (⑧) as show above picture.

Repeat the same step with the remaining Screws.

DO NOT fully tighten the Bolts.

STEP 7

x2



With assistance from your adult partner, turn the Chair right. Inspect it and make sure all parts are adequately connected.

Gently and gracefully, sit onto the Chair.

This will help to align all the parts at all joint areas.

Then get off the Chair and proceed to tighten the Bolts and Screws in a sequential manner.

When tightening the Bolts, Screws, please tighten sequentially.

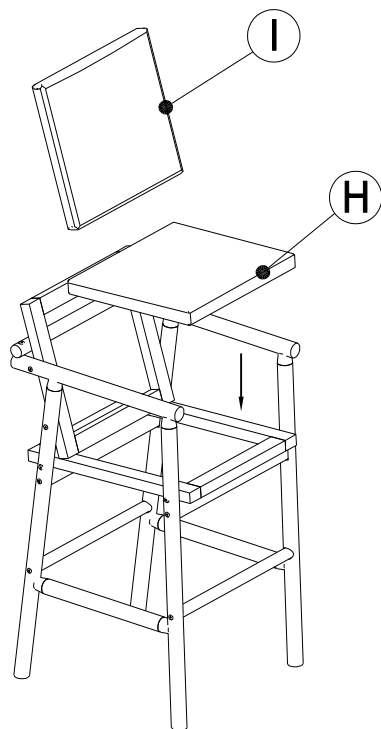
DO NOT tighten any Bolts, Screws fully and then move on towards the next one.

If there are still wobbles, loosen the Bolts, Screws and execute this same process.

STEP 8

H	x1
---	----

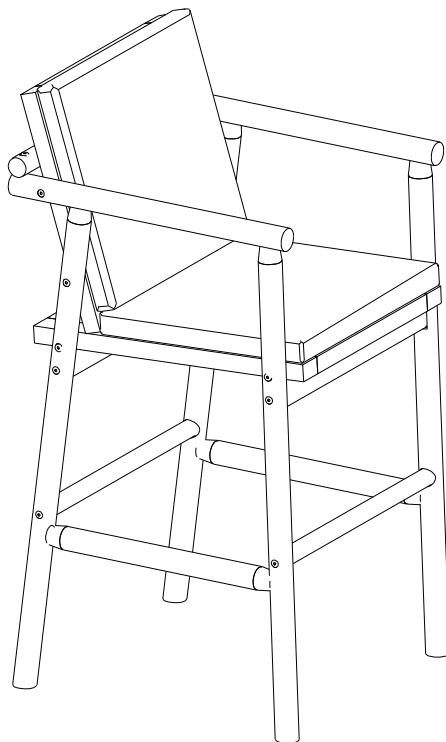
I	x1
---	----



x2

Put Seat Cushion (H) and Back Cushion (I) onto the Seat Panel (B) onto the Seat Panel (B).

STEP 9



x2

Your Chair is ready for use. This Chair can only be used on a flat, level surface.