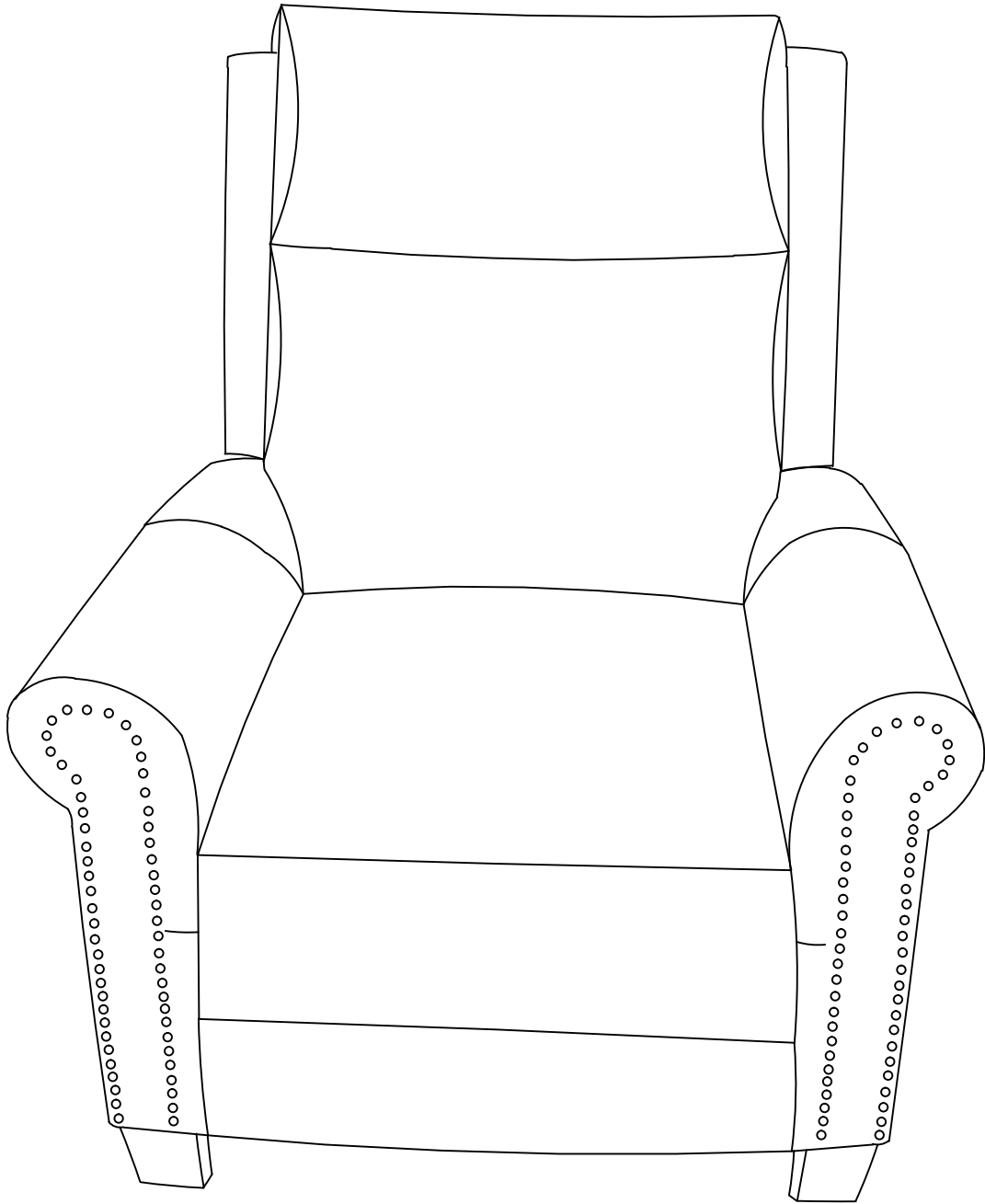


# Owner Manual

## Push Back



MADE IN CHINA

## Before Getting Started

Read the instructions carefully prior to assembling the product.

When you open the package with a sharp tool like a cutter knife, be careful not to damage the components inside.

Carefully remove all packaging materials and retain for future use.

Keep all hardware parts and packaging out of reach of small children.

Choose a clean, level, spacious assembly area. Avoid hard surfaces that may damage the product.

Ensure that you have all required contents for complete assembly.

Take care when lifting. Assemble the product in close proximity to where you intend to position the item.

Do not over tighten the screws and bolts as this may damage the threads.

When you have finished assembling the product, place it on a flat surface and make sure it is stable before use.

Do not let children play with this product.

### **⚠ DANGER**

**Risk of suffocation!** Keep any packaging materials away from children.

## Cleaning & Maintenance

Keep the product away from direct heat and sunlight.

Prolonged exposure to heat sources may cause glazing, melting and scorching, or even cause color to fade.

Regular vacuuming or light brushing helps to remove dirt and prevent soil build-up, which increases the appearance wear.

Periodically (every 90 days) make sure that the screws are fully tightened.

## Fabric Upholstered Furniture Care Instructions

Vacuum your product regularly. Small dust particles are very abrasive and can wear furniture prematurely.

Clean spills immediately to prevent staining. If necessary, gently wipe away the spill using a soft, clean cloth dampened with lukewarm water. Allow to dry and brush lightly.

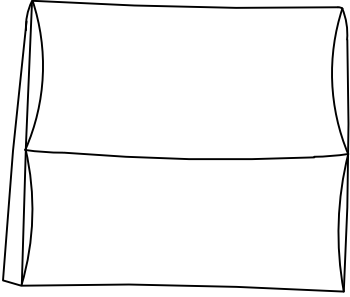
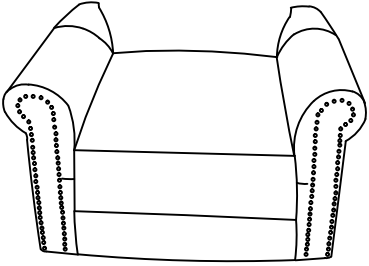


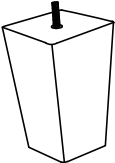
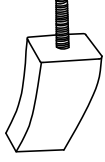
Never use harsh chemicals or solvents on your product as this may damage the fabric.

If you choose to use a professional product, pretest the fabric in an inconspicuous area for any signs of discoloration or shrinking.

Marks and stains from pens, crayons and ink markers are difficult to remove. In the event that your product becomes permanently stained, we recommend that you consult a professional.

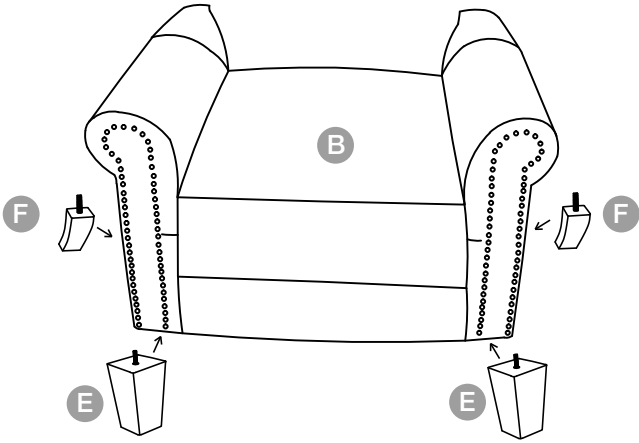
# Contents

Before getting started, ensure the package contains the following components:

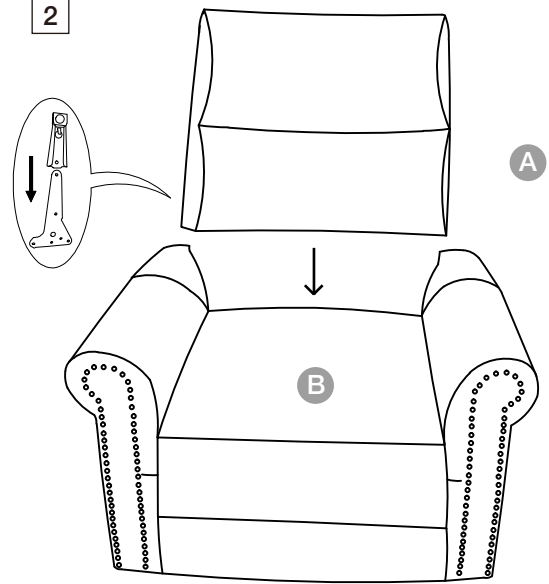
A		x1
B		x1
C		x1
D		x1
E		x2
F		x2

# Assembly

1



2



3

