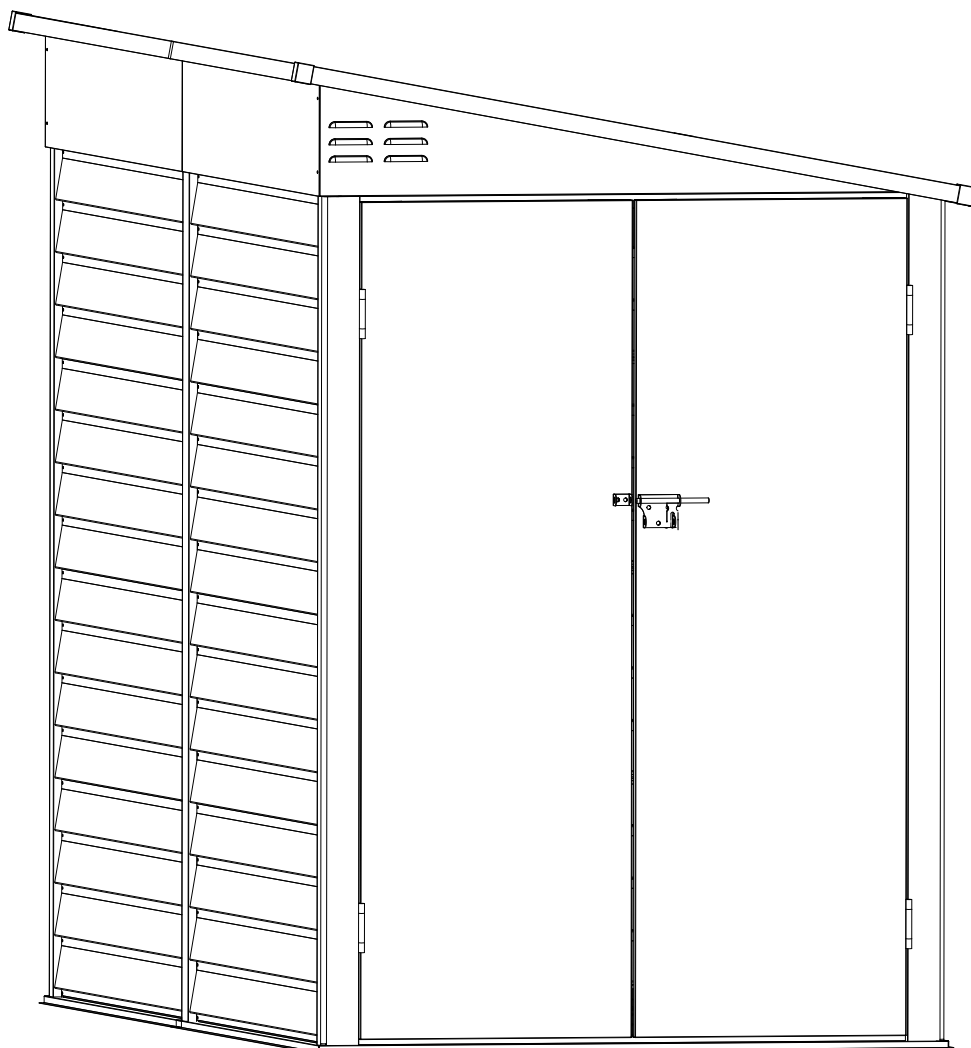


# GARDEN SHED 4.6X9FT

## ASSEMBLY INSTRUCTIONS



### WARNING

Please read the instruction manual carefully before assembly.

Please assembly strictly in accordance with the instruction.

Please double-check to ensure that all parts of the package contents intact.

## BEFORE YOU START

**Owner's Manual:** Before starting the assembly, verify local building codes for footing, location, and other requirements. Thoroughly read and understand this owner's manual. Valuable information and useful tips will enhance the ease and enjoyment of your assembly process.

**Assembly Instructions:** Instructions are provided in this manual and all relevant details are included for this shed. Review all instructions before starting, and carefully follow the step sequence during the assembly.

**Parts and Parts List:** Ensure you have all the necessary parts. Organize the contents of the carton by part number referring to the parts list. The first few steps demonstrate how to assemble related parts into larger sub-assemblies for later use. Familiarize yourself with the included hardware and fasteners to streamline the assembly process.

The above are packaged within the carton. Please note that extra fasteners are included for your convenience.

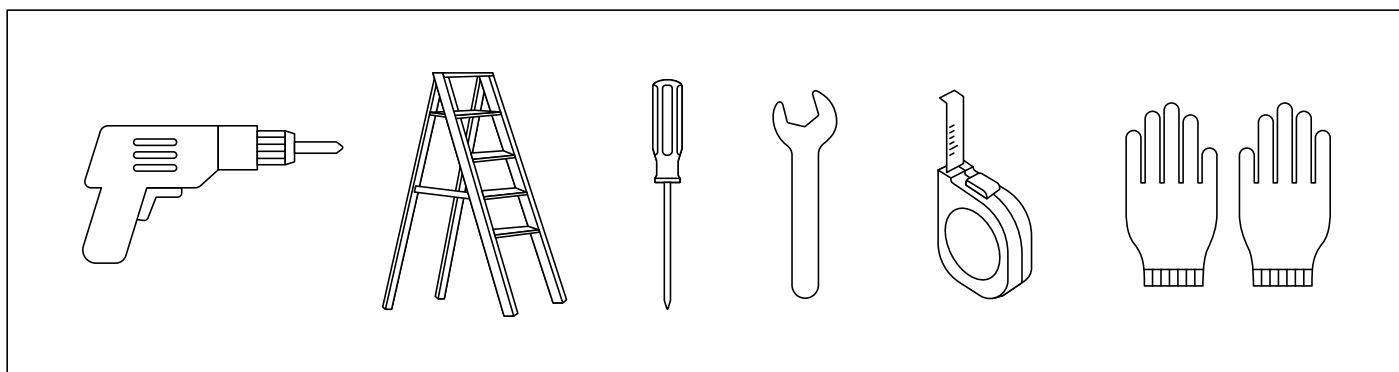
## PLAN AHEAD

**Check the Weather:** Ensure the weather the day chosen for installing the shed is fine. Avoid assembling on windy days, and exercise caution on wet or muddy ground.

**Teamwork:** Whenever possible, engage two or more individuals on the assembly. One person can position parts or panels while the other handles fasteners and tools.

**Tools and Materials:** Here are some essential tools and materials for the assembly. Determine the anchoring method and foundation type you intend to use to make a comprehensive list of required materials.

### Required Tools:

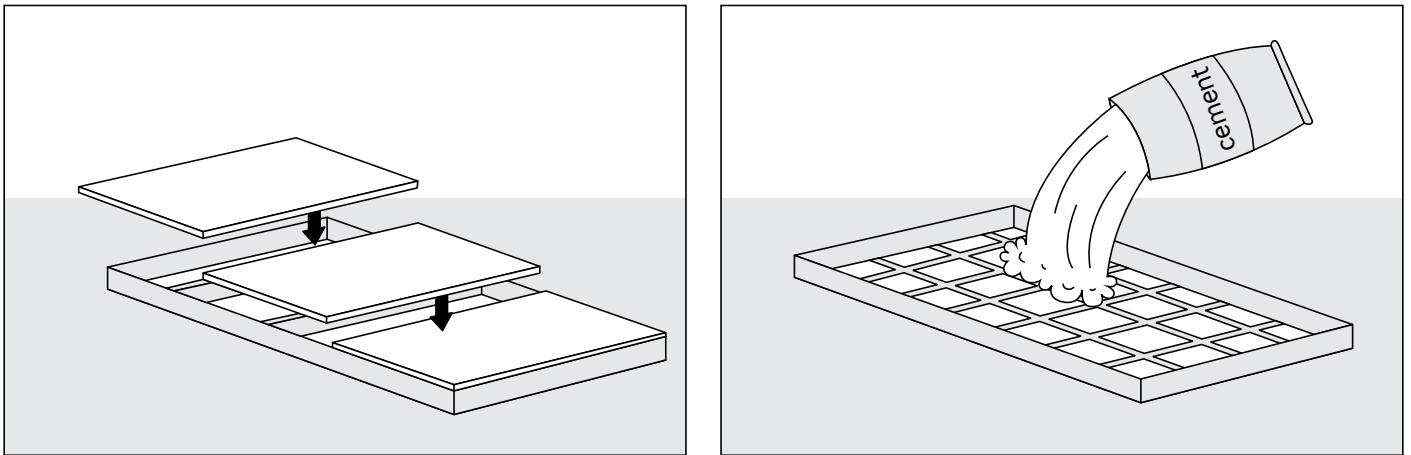


# SITE PREPARATION

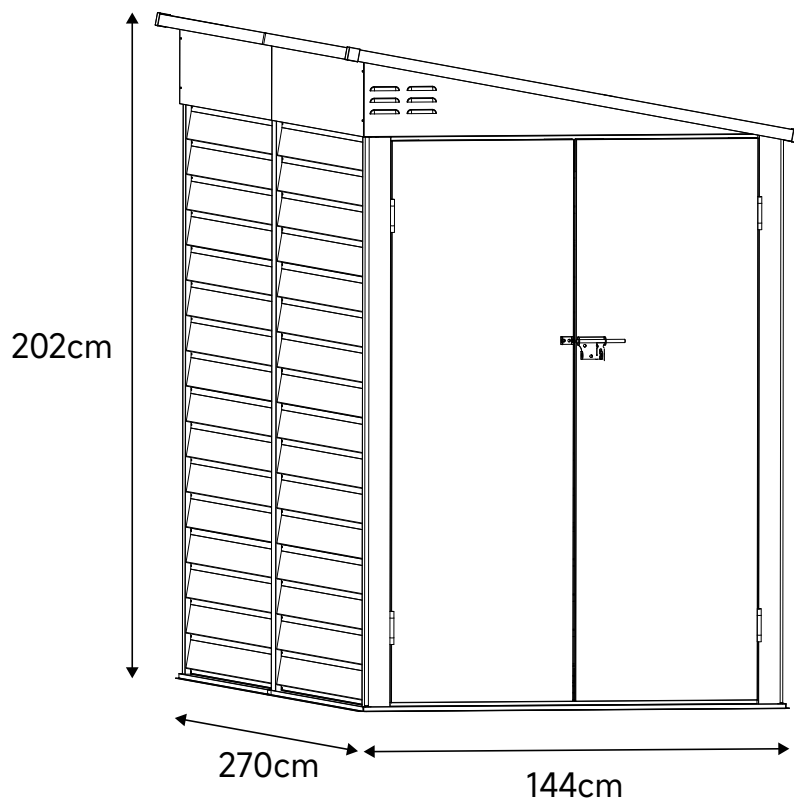
Clear and Level the Ground Surface



Recommendation: Build a wooden or concrete base as the foundation.



External Dimensions of the Product:



## CARE & MAINTENANCE

**Finish:** For a long-lasting finish, periodically clean and wax the exterior surface. Address scratches promptly by cleaning the area with a wire brush, washing it, and applying touch-up paint according to the manufacturer's recommendation.

**Roof:** Keep the roof clear of leaves and snow with a long-handled, soft-bristled broom. Excessive snow on the roof can damage the shed, making it unsafe to enter into. In snowy areas, Roof Strengthening Kits are available for most Arrow Buildings, providing added protection against heavy snow accumulation.

**Doors:** Ensure the door tracks are free of dirt and debris. Lubricate the door track annually with furniture polish or silicone spray. Keep doors closed and locked to prevent wind damage.

**Fasteners:** Use all supplied washers for protection against weather infiltration and prevention of screw scratches to the metal. Regularly inspect the shed for loose screws, bolts, nuts, etc. and re-tighten them as necessary.

**Moisture:** Reduce condensation by placing a plastic sheet (vapor barrier) under the entire floor area.

### Other Tips...

Wash off inked part numbers on coated panels with soap and water.

Use silicone caulking for watertight seals throughout the shed.

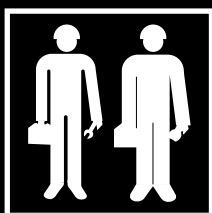
Avoid storing swimming pool chemicals in the shed. Store combustibles and corrosives in airtight approved containers.

## WARNING

Carefully read the instruction manual before the assembly.

Strictly follow the assembly instructions.

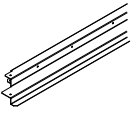
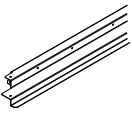
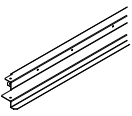
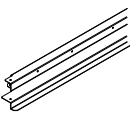
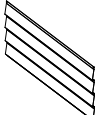
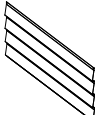
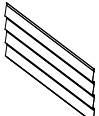



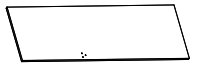
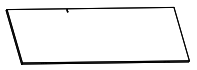
Double-check to ensure that all parts in the package are intact.

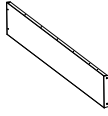
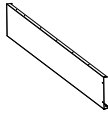


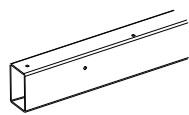
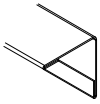
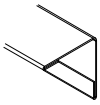
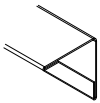
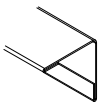
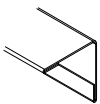
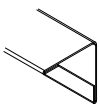
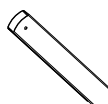


This product requires two individuals for installation, taking approximately 2-3 hours.



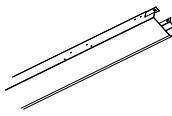
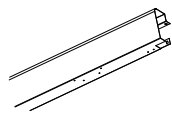
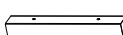
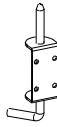
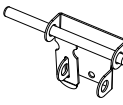
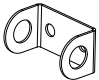
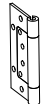

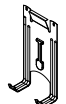
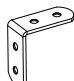
Wear gloves to prevent injuries.

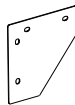
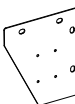

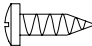
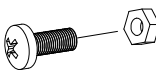
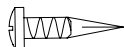
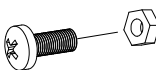


# PARTS LIST

NO	PART	QTY
1		1
2		2
3		2
4		1
P1A		2
P2A		2
P1		12
P3		4
P6		4
P7		3
DLA		2
DR2		2

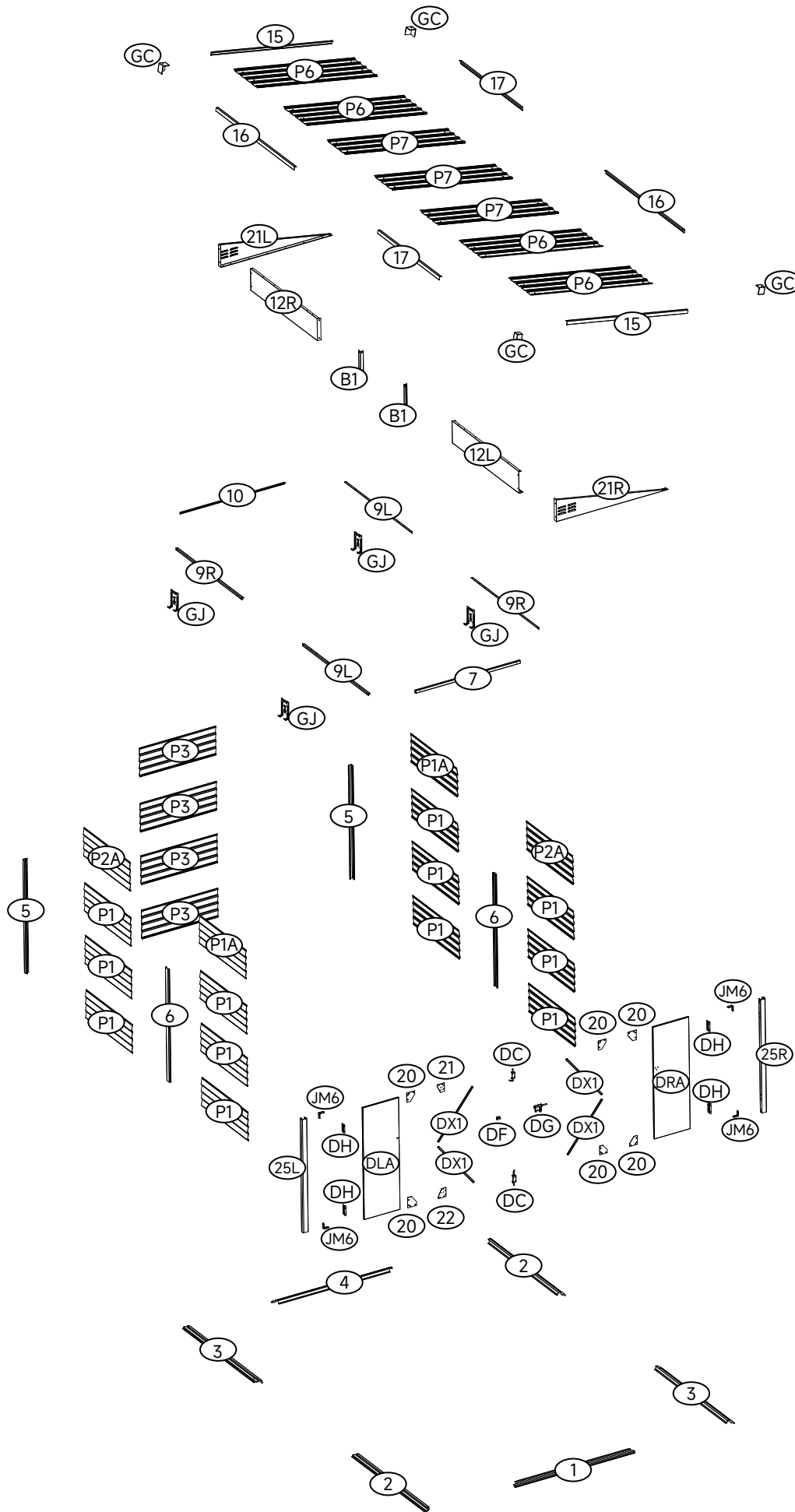
NO	PART	QTY
12L		1
12R		1
21L		1
21R		1
7		1
9L		2
9R		2
10		1
15		2
16		2
17		2
DX1		2

# PARTS LIST

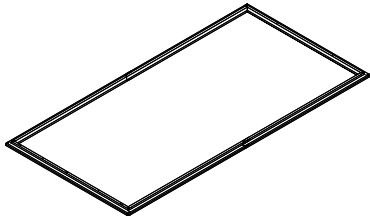
NO	PART	QTY
5		2
6		2
25L		1
25R		1
B1		1
DC		2
DG		2
DF		1
DH		4
GC		4
GJ		4
JM6		4

NO	PART	QTY
20		6
21		1
22		1
F1		461
F2		6
F3		32
F4		5
S1		156
S2		418

# EXPLODED VIEW

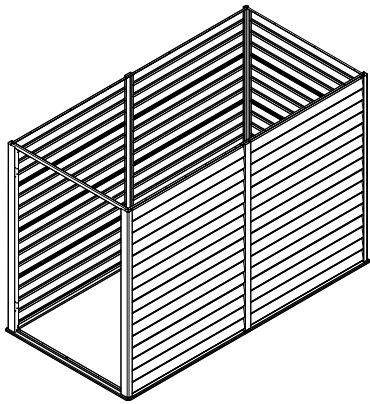


# CONTENTS



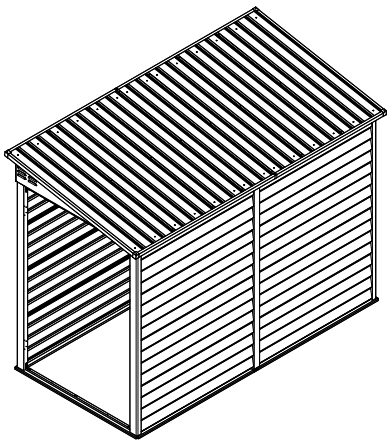
**Floor**

**10-13**  
(page)



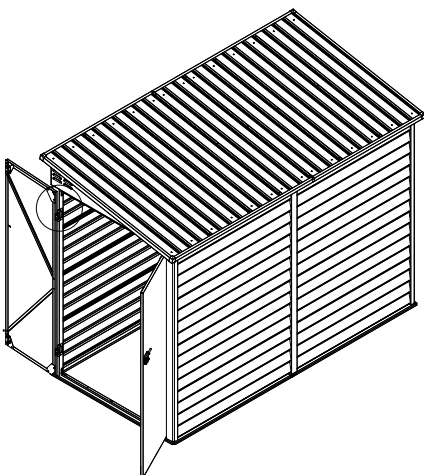
**Wall**

**14-24**  
(page)



**Roof**

**25-29**  
(page)

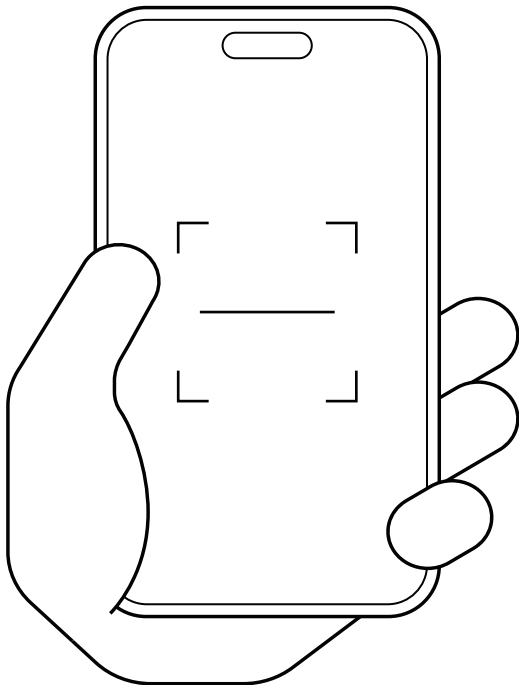


**Door**

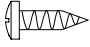
**30-37**  
(page)

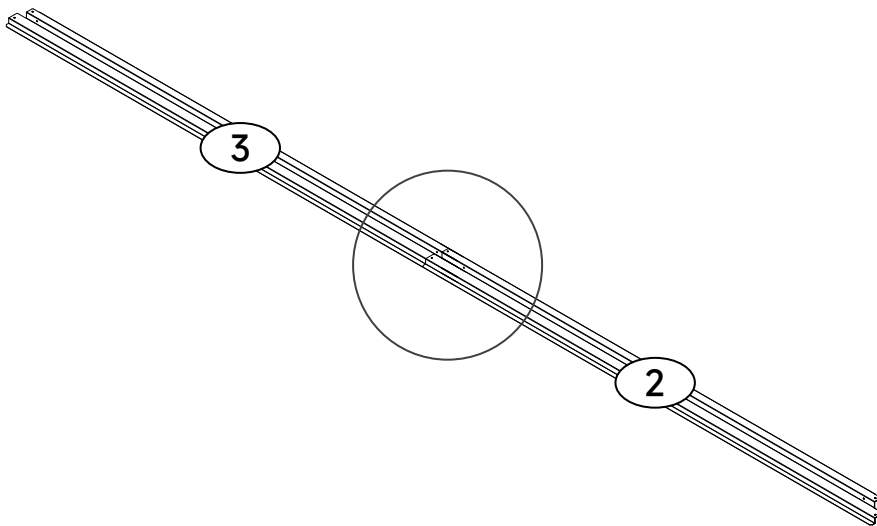
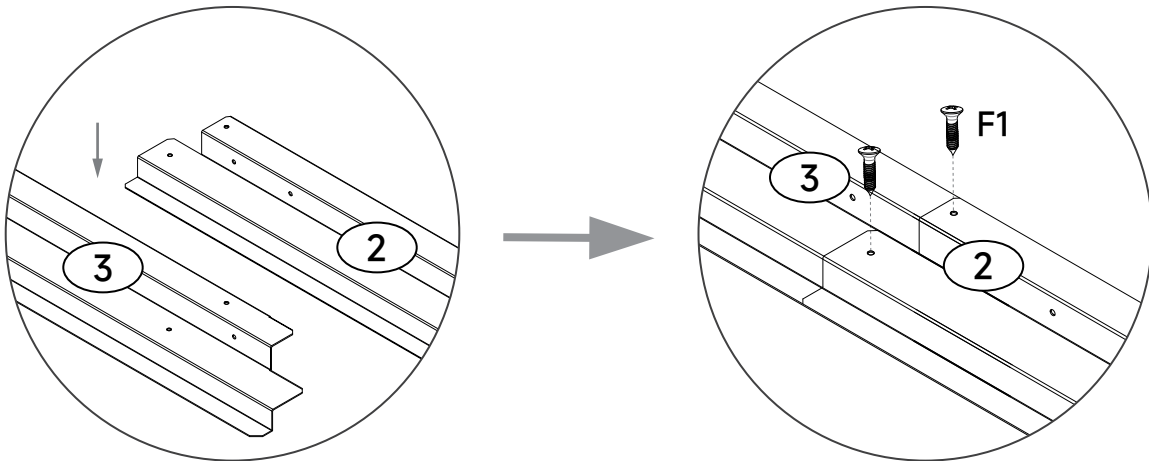
# ATTENTION

For this step only, To ensure a better understanding and installation experience, please watch a video tutorial that will assist you in completing the installation.



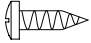
# STEP 01

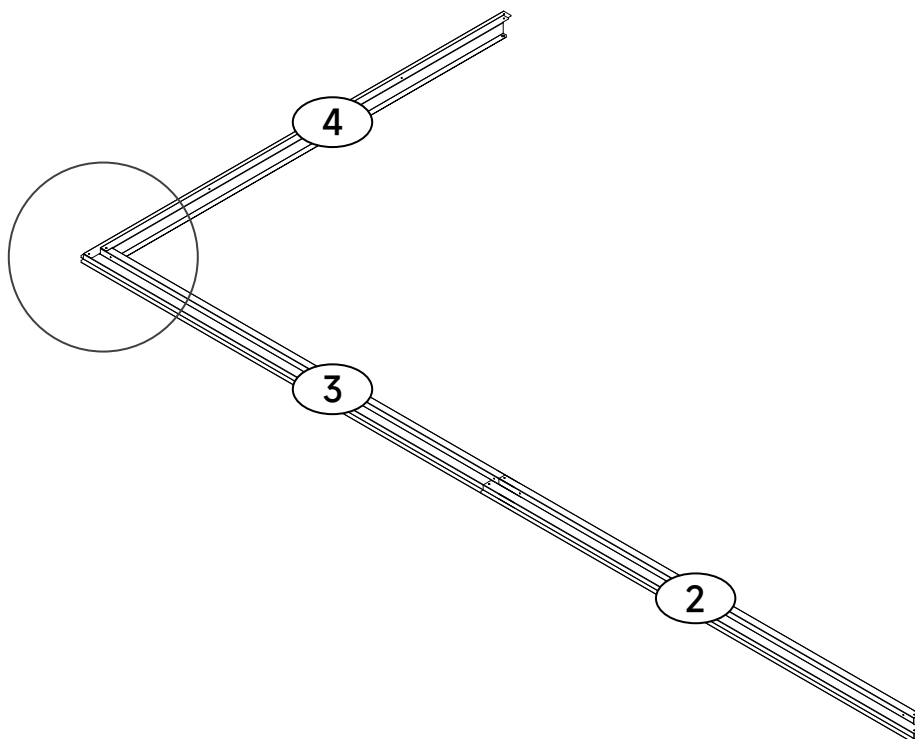
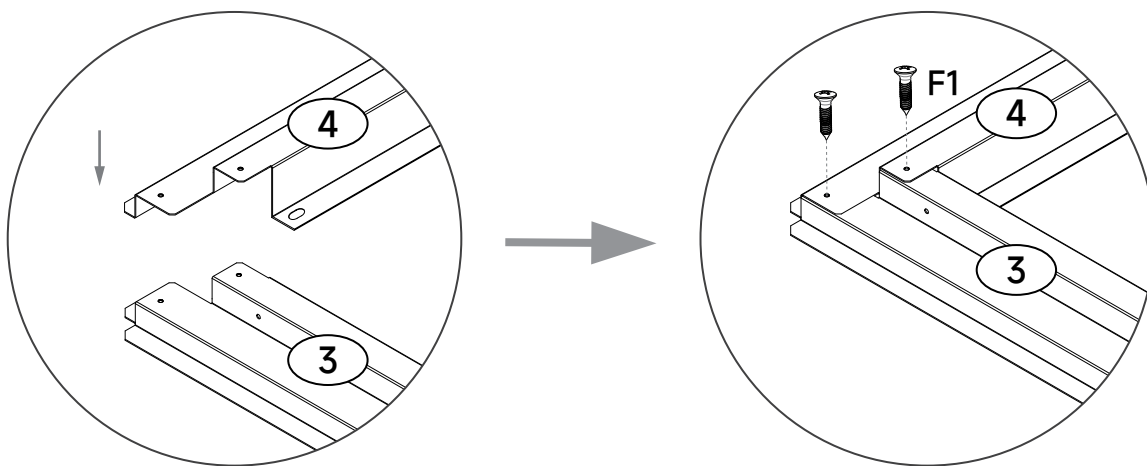
NO	PART	QTY
F1		4



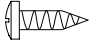
**x2**

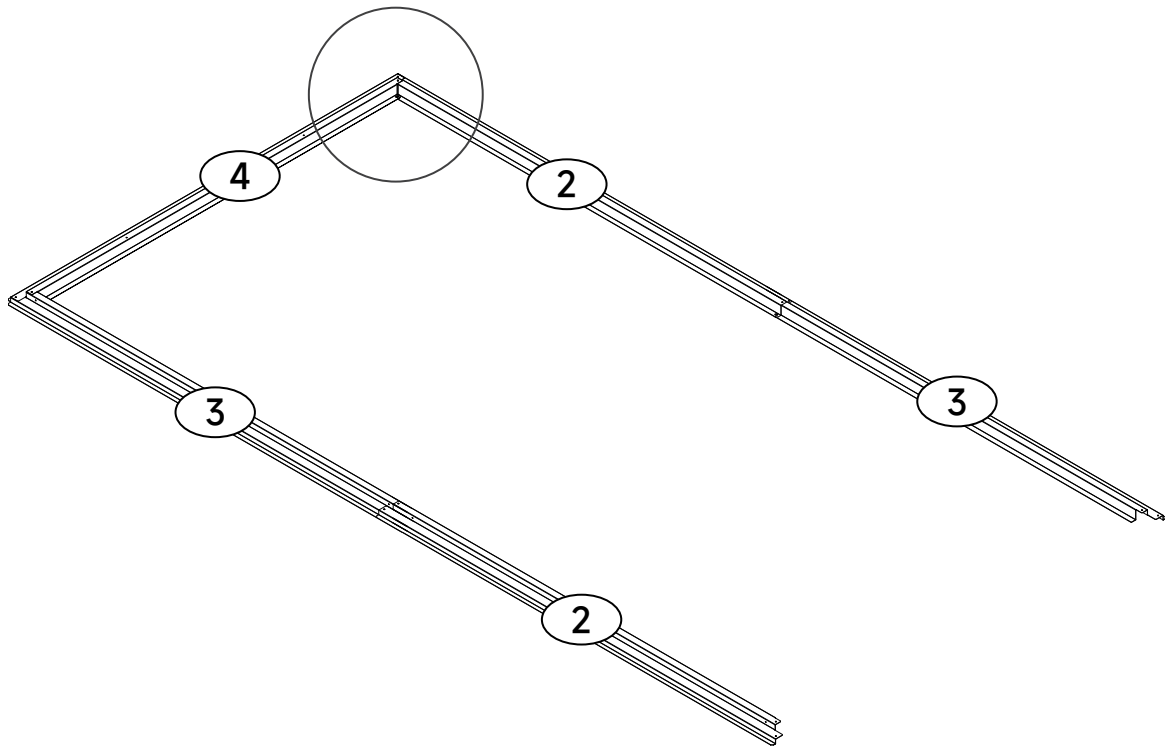
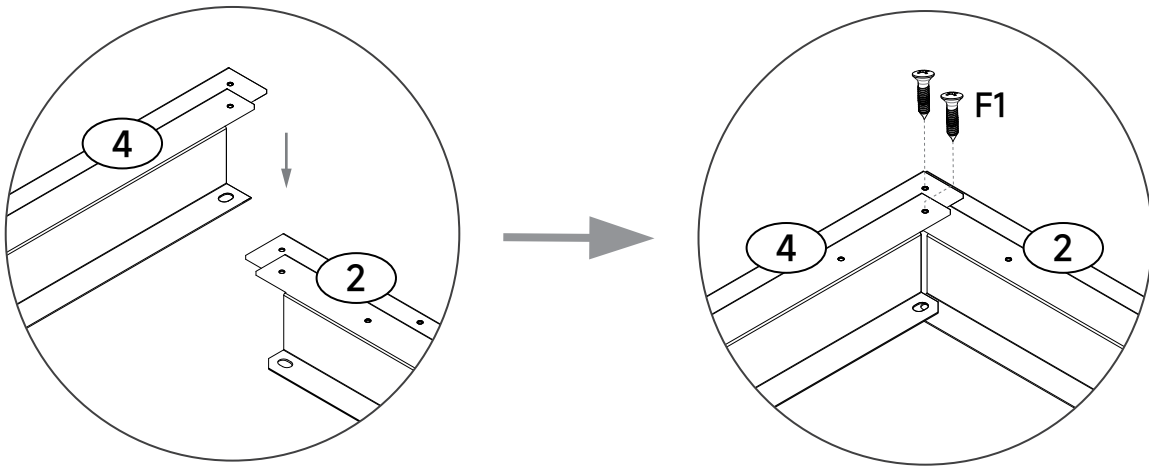
# STEP 02

NO	PART	QTY
F1		2

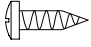


# STEP 03

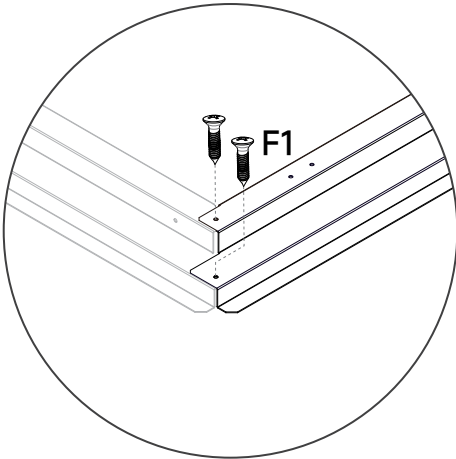
NO	PART	QTY
F1		2



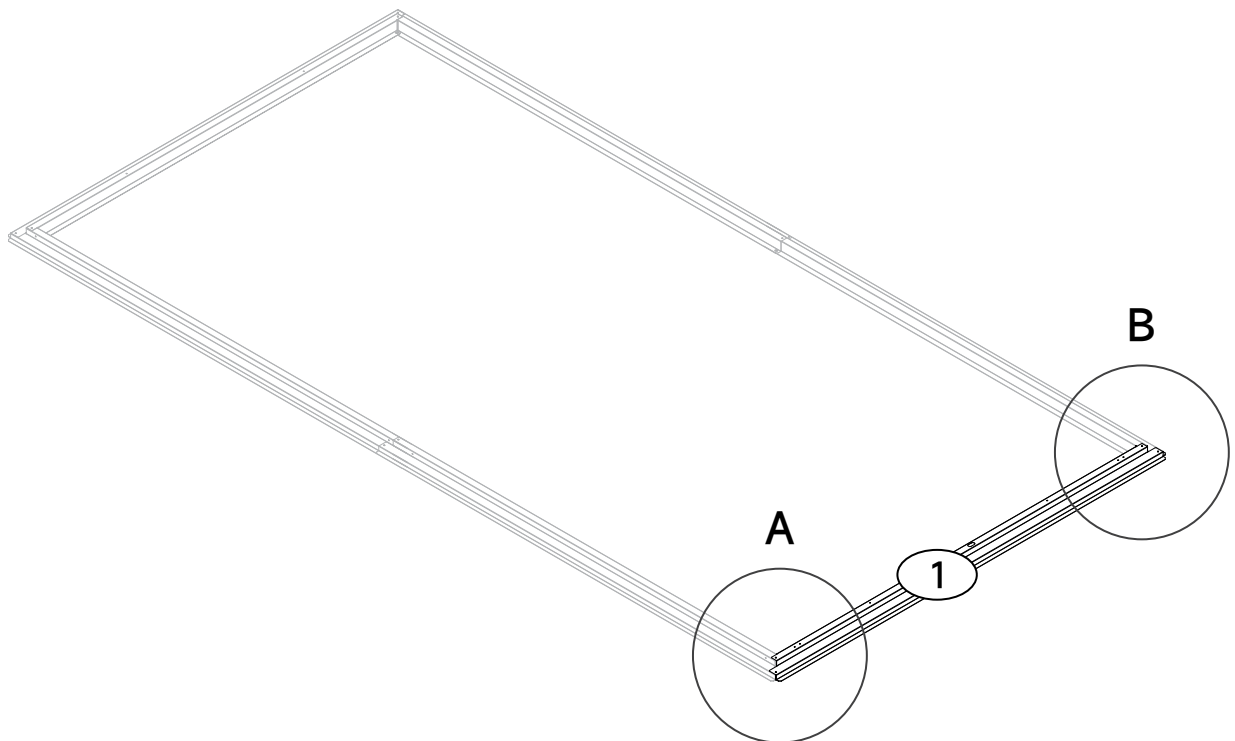
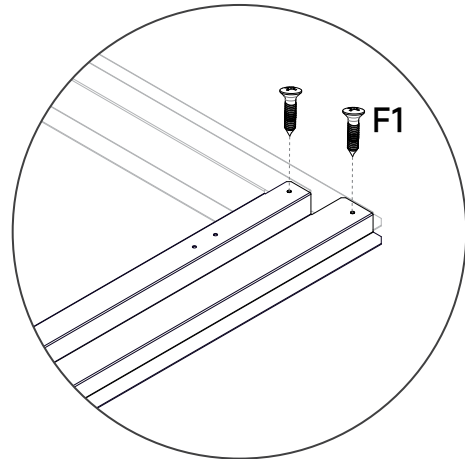
# STEP 04

NO	PART	QTY
F1		4

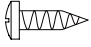

**A**



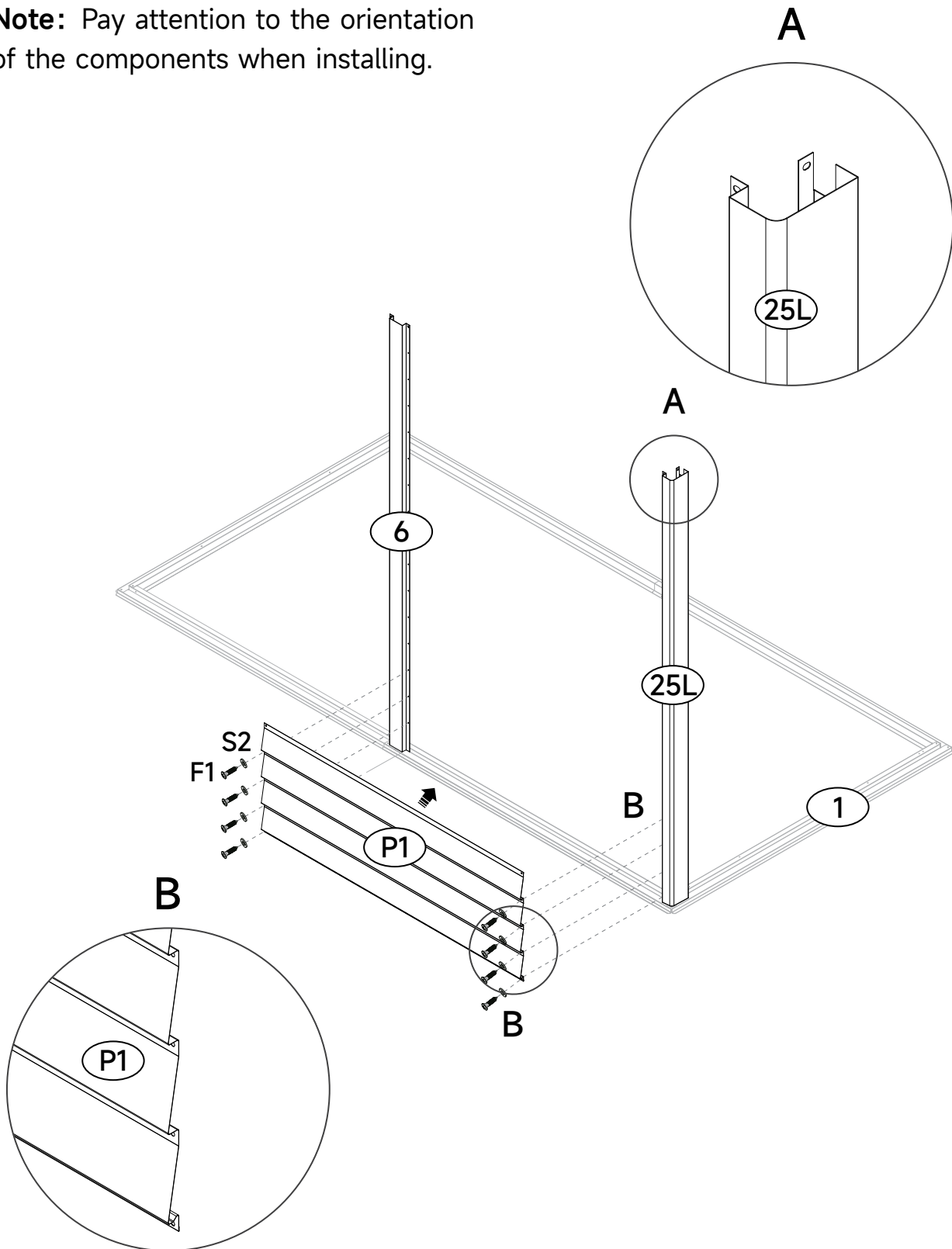
**B**



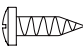

# STEP 05

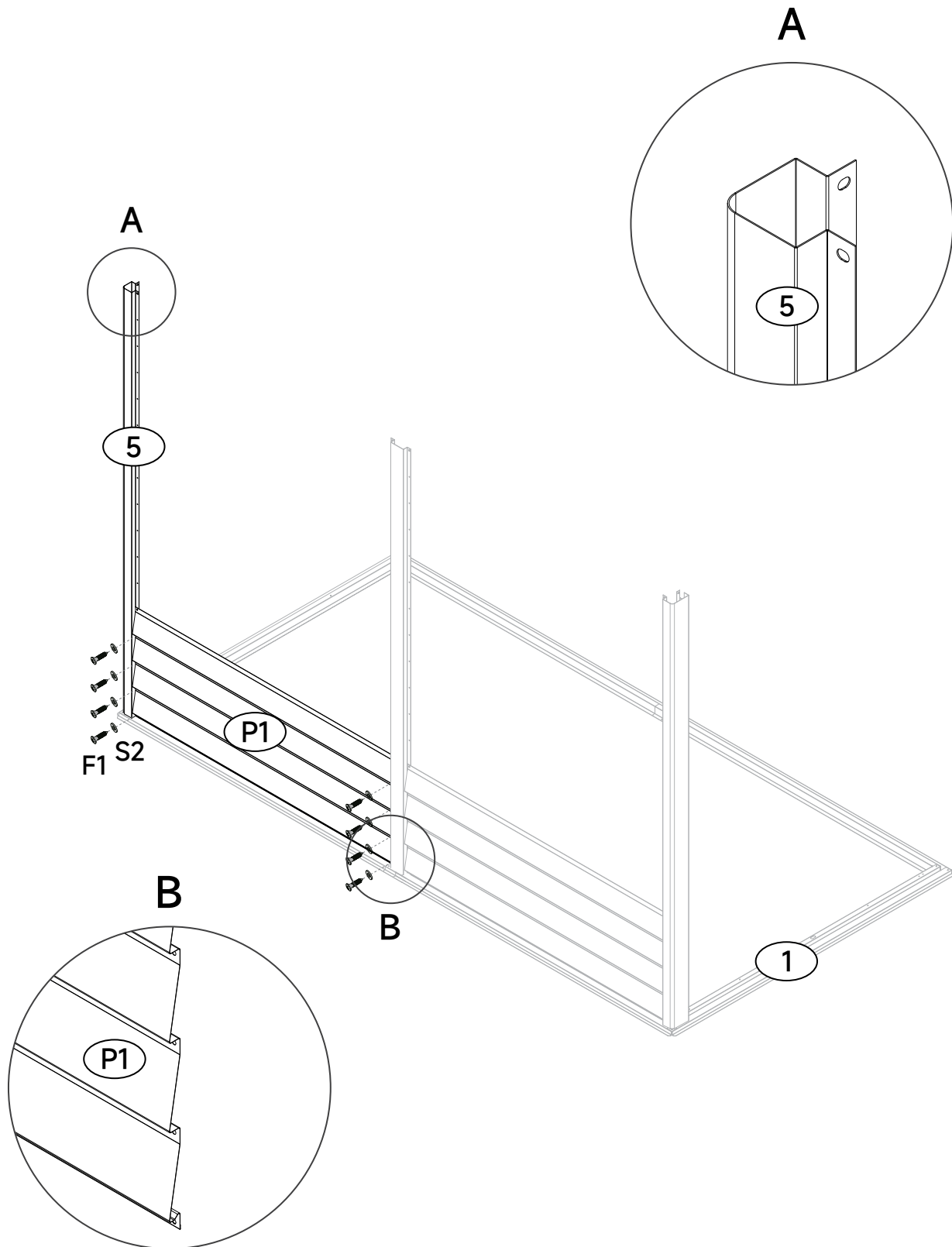
NO	PART	QTY
F1		8
S2		8

**Note:** Pay attention to the orientation of the components when installing.

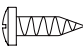



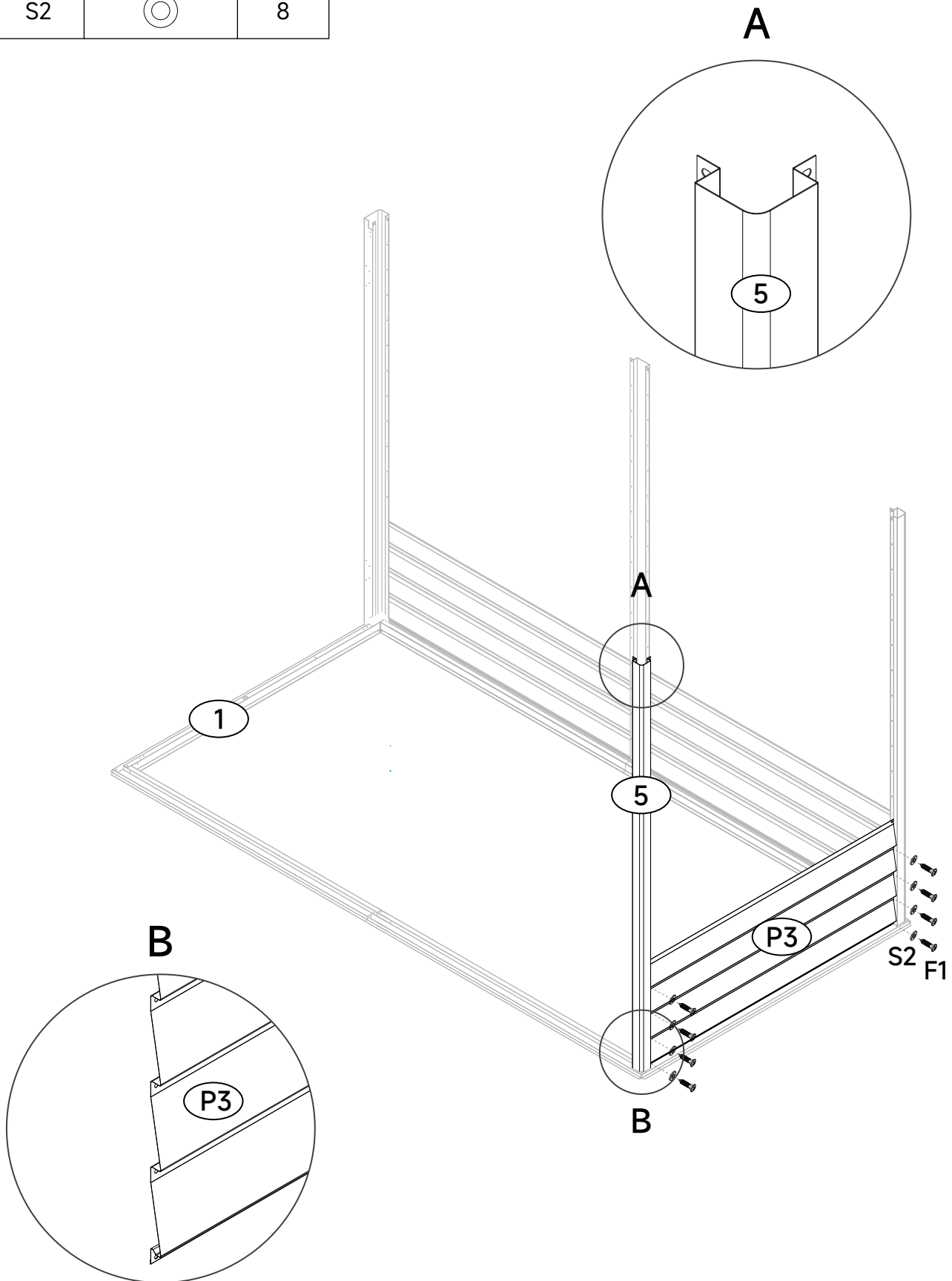
# STEP 06

NO	PART	QTY
F1		8
S2		8

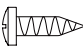



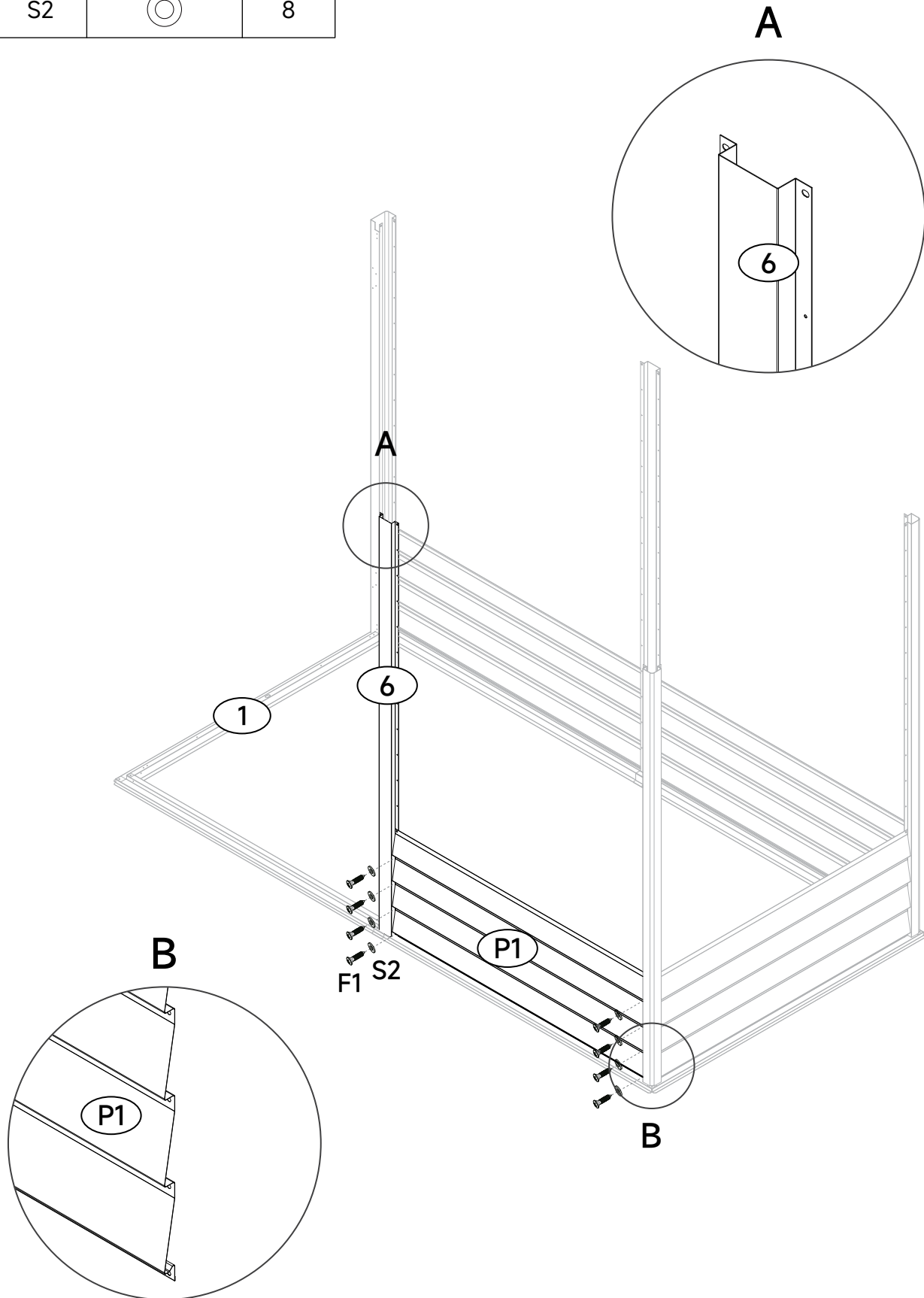
# STEP 07

NO	PART	QTY
F1		8
S2		8

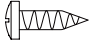



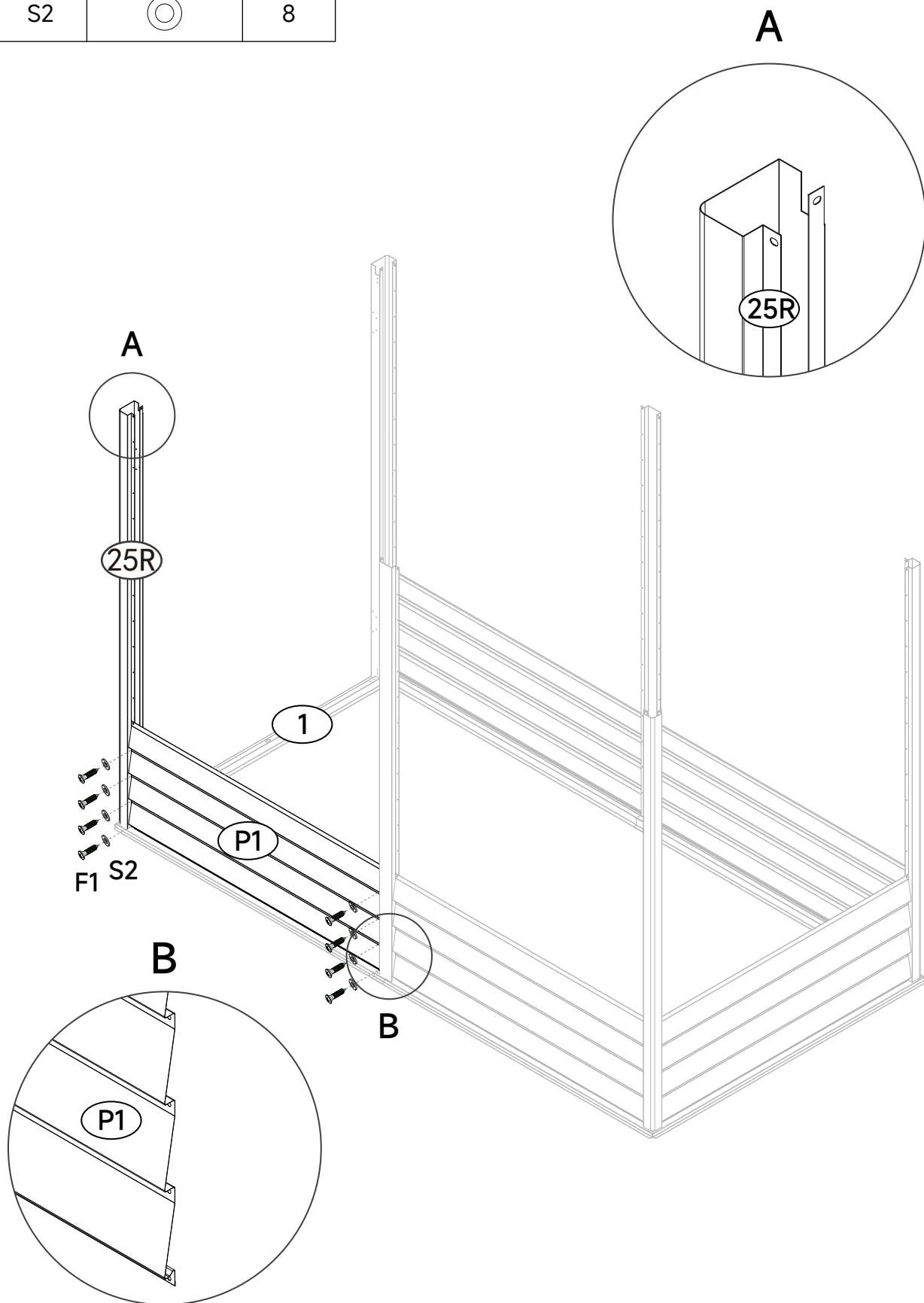
# STEP 08

NO	PART	QTY
F1		8
S2		8

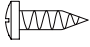



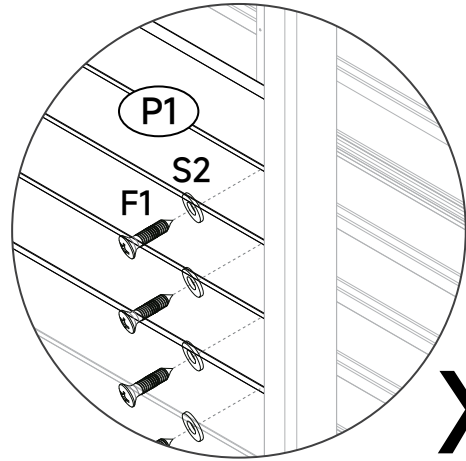
# STEP 09

NO	PART	QTY
F1		8
S2		8

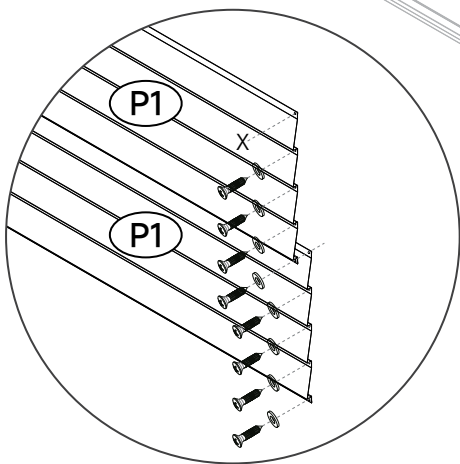
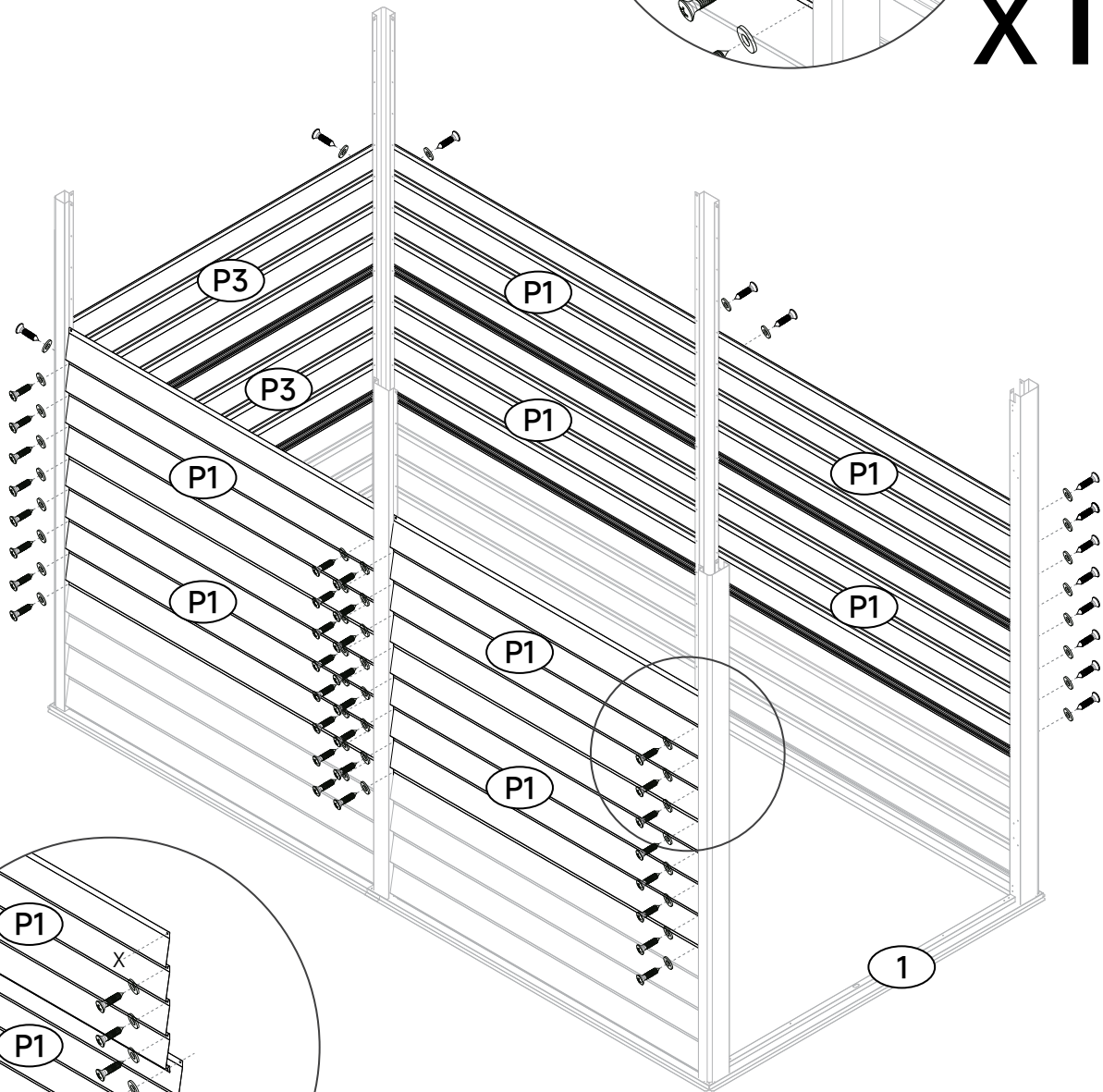


# STEP 10

NO	PART	QTY
F1		80
S2		80

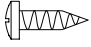



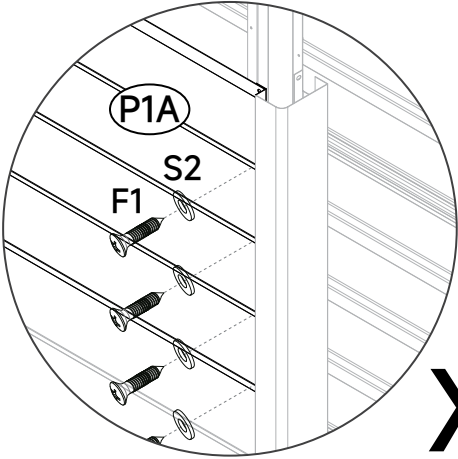
**x10**



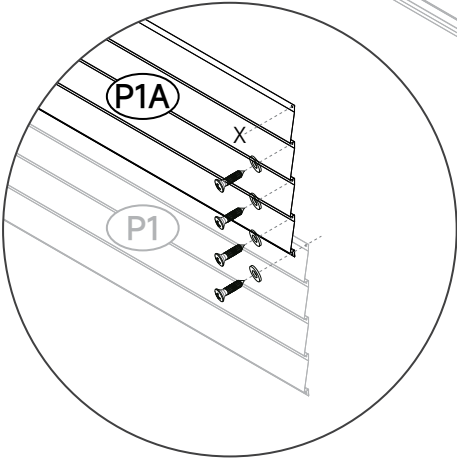
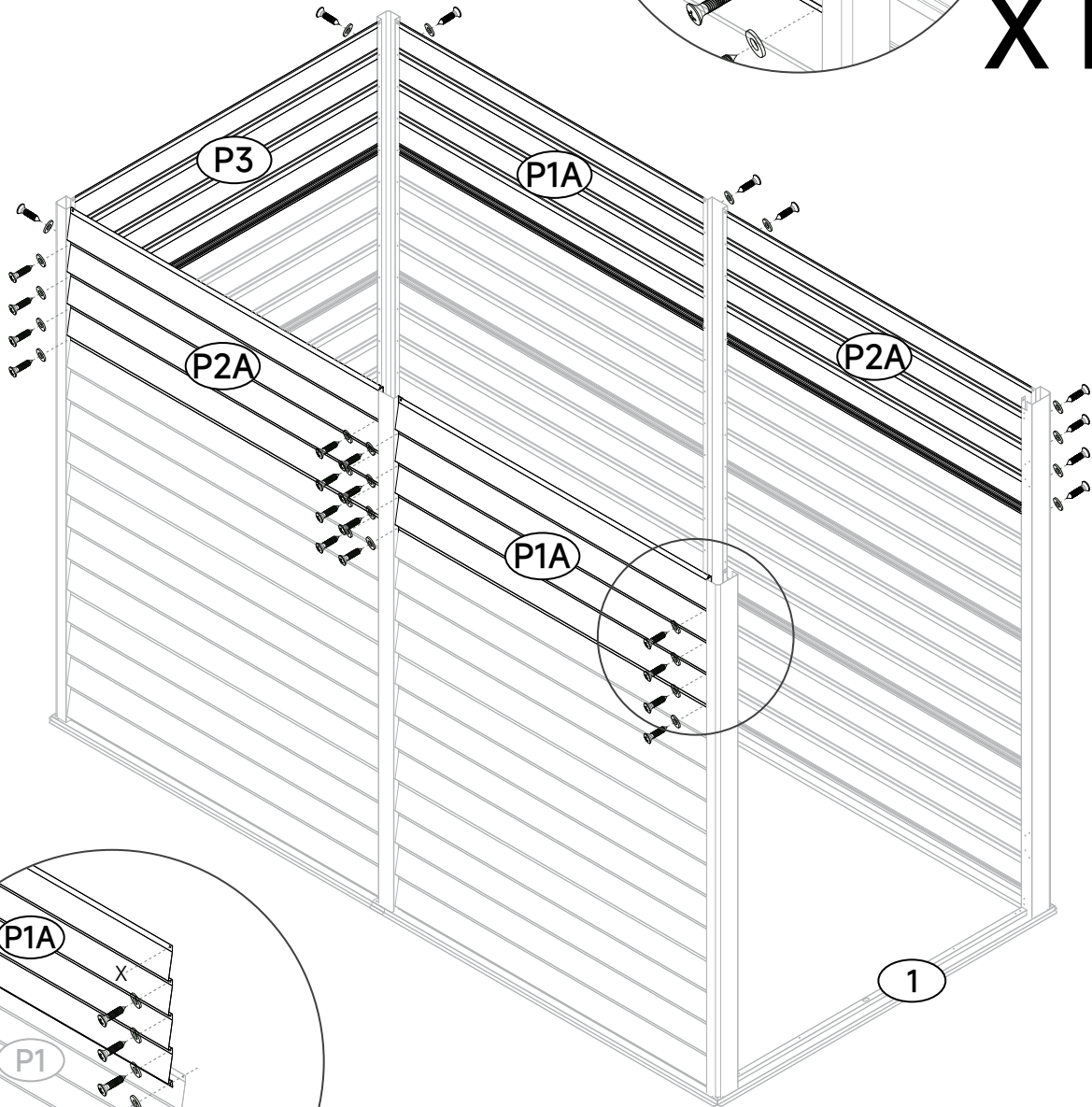
Embedded connection

# STEP 11

NO	PART	QTY
F1		40
S2		40

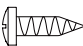



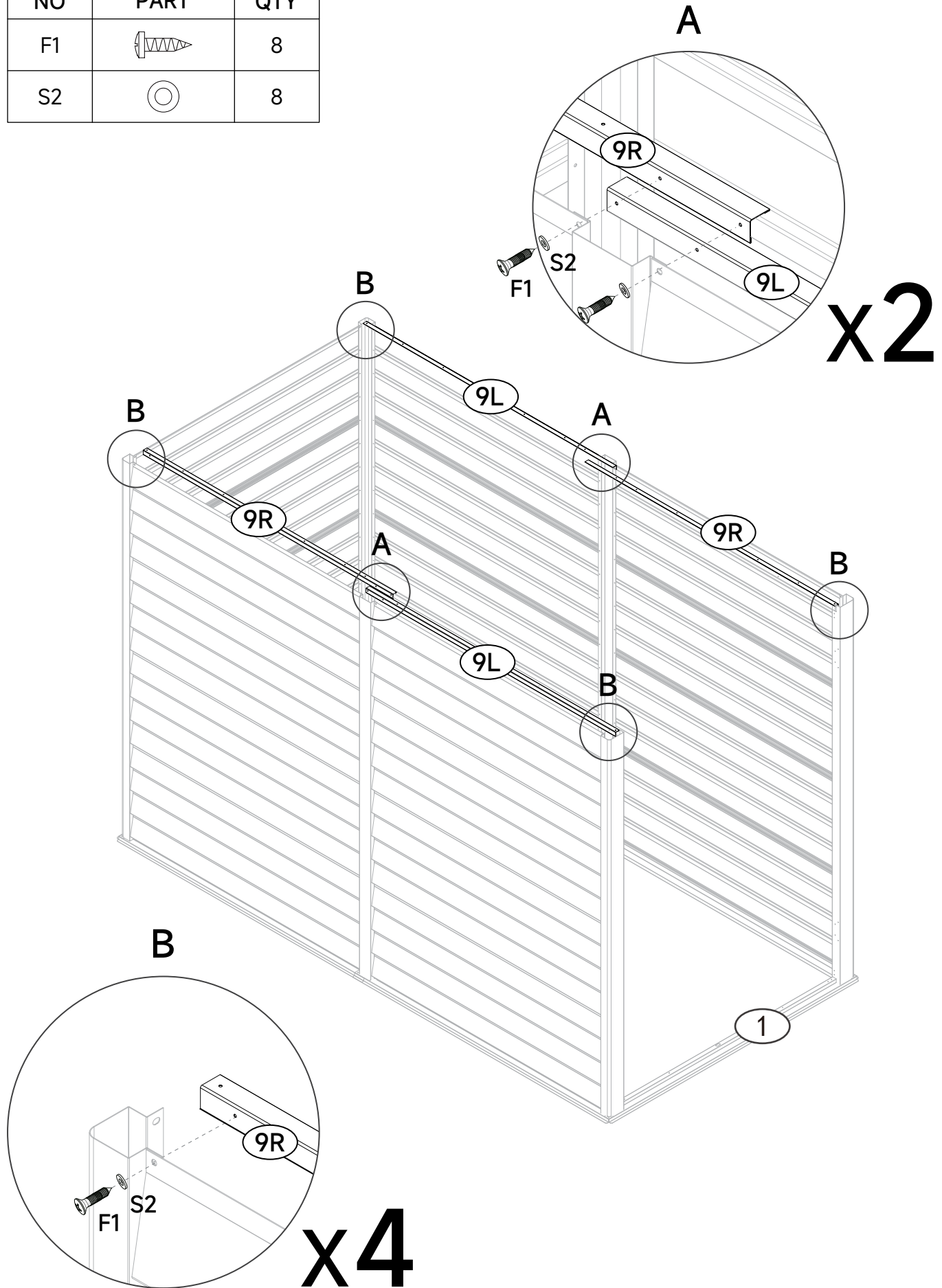
x10



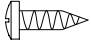

Embedded connection

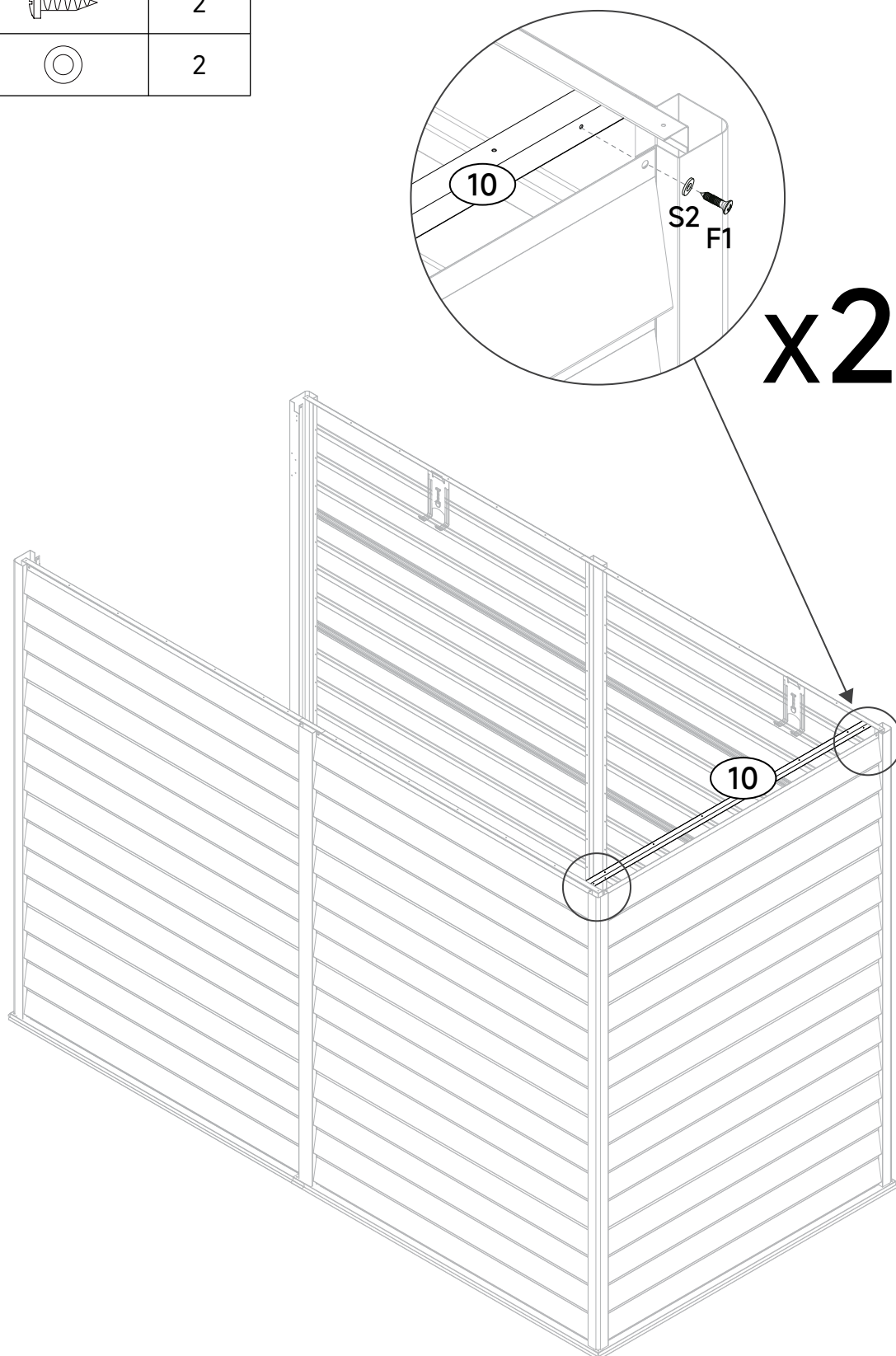
# STEP 12

NO	PART	QTY
F1		8
S2		8

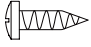


# STEP 13

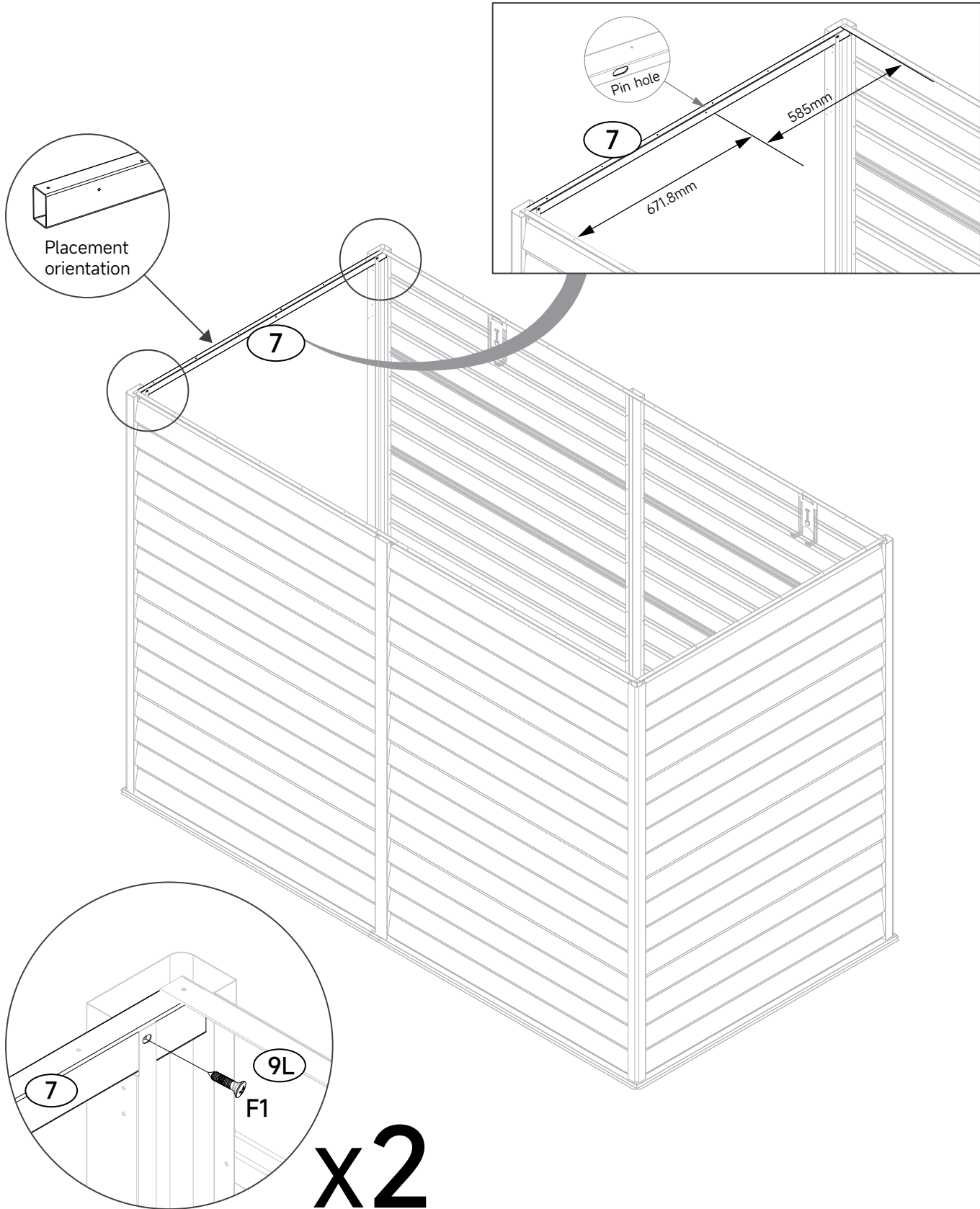
NO	PART	QTY
F1		2
S2		2



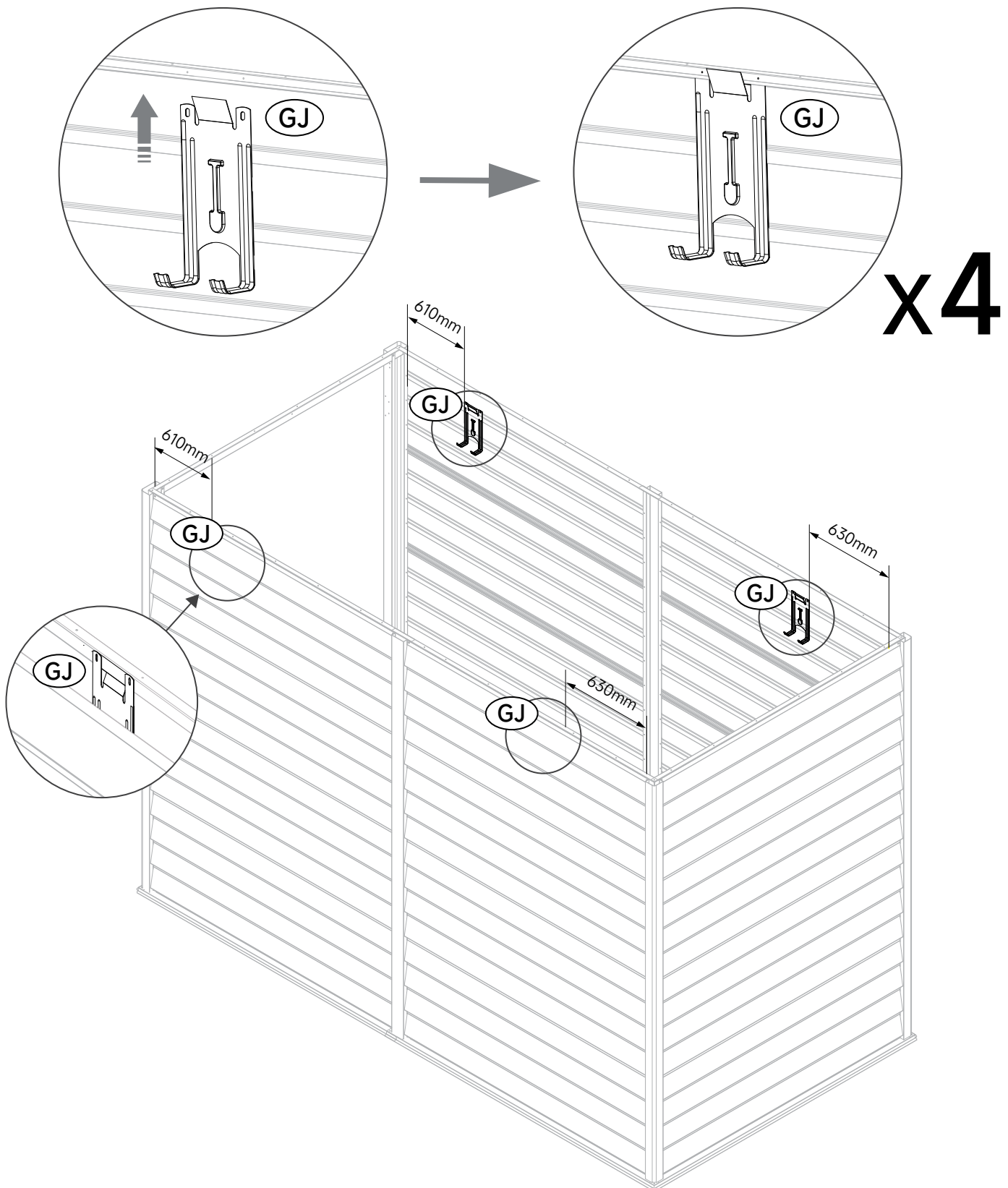
# STEP 14

NO	PART	QTY
F1		2

**Note:** Check the distance between the pin hole and both ends.




# STEP 15

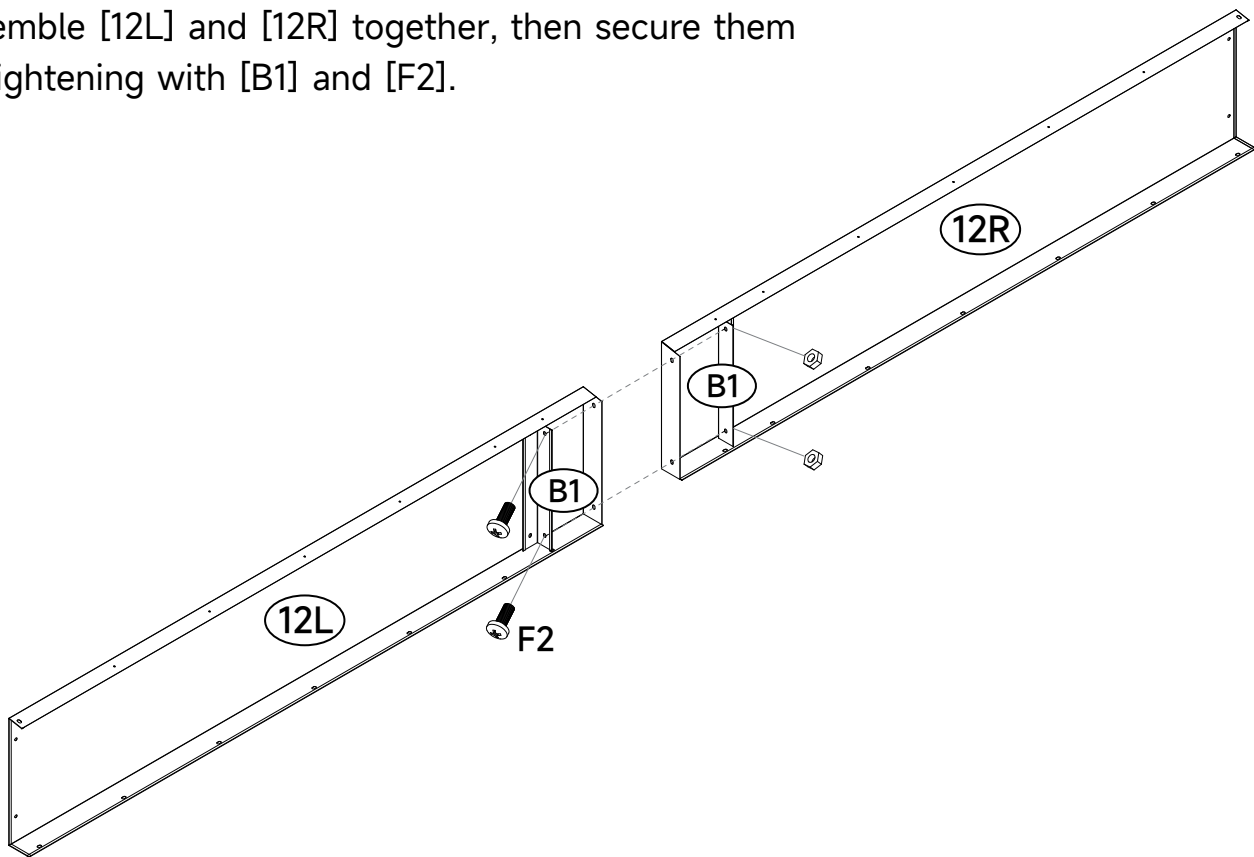


Push [GJ] upward and slot it into the illustrated position, pay attention to the distance from the edges.


# STEP 16

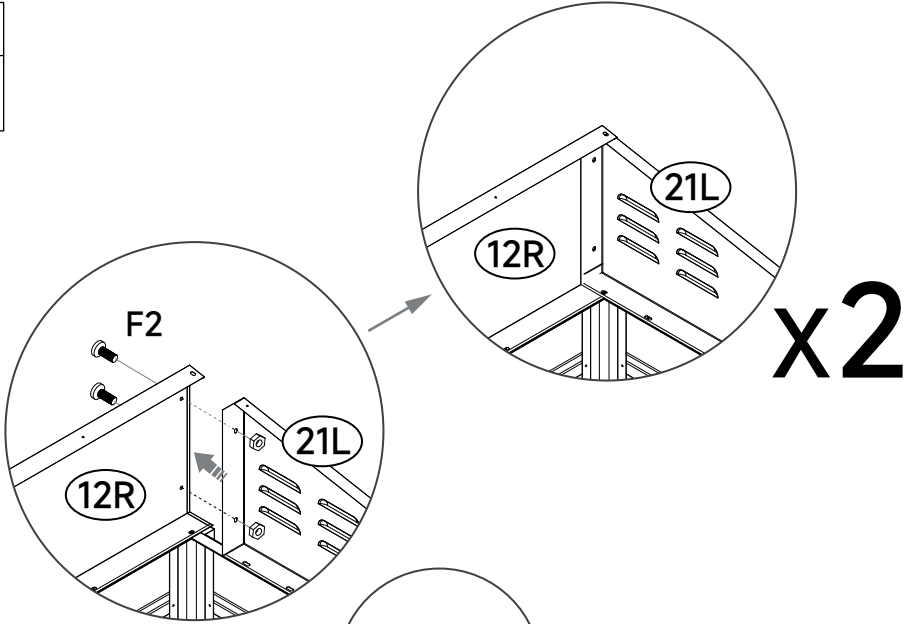
NO	PART	QTY
F2		2

Assemble [12L] and [12R] together, then secure them by tightening with [B1] and [F2].

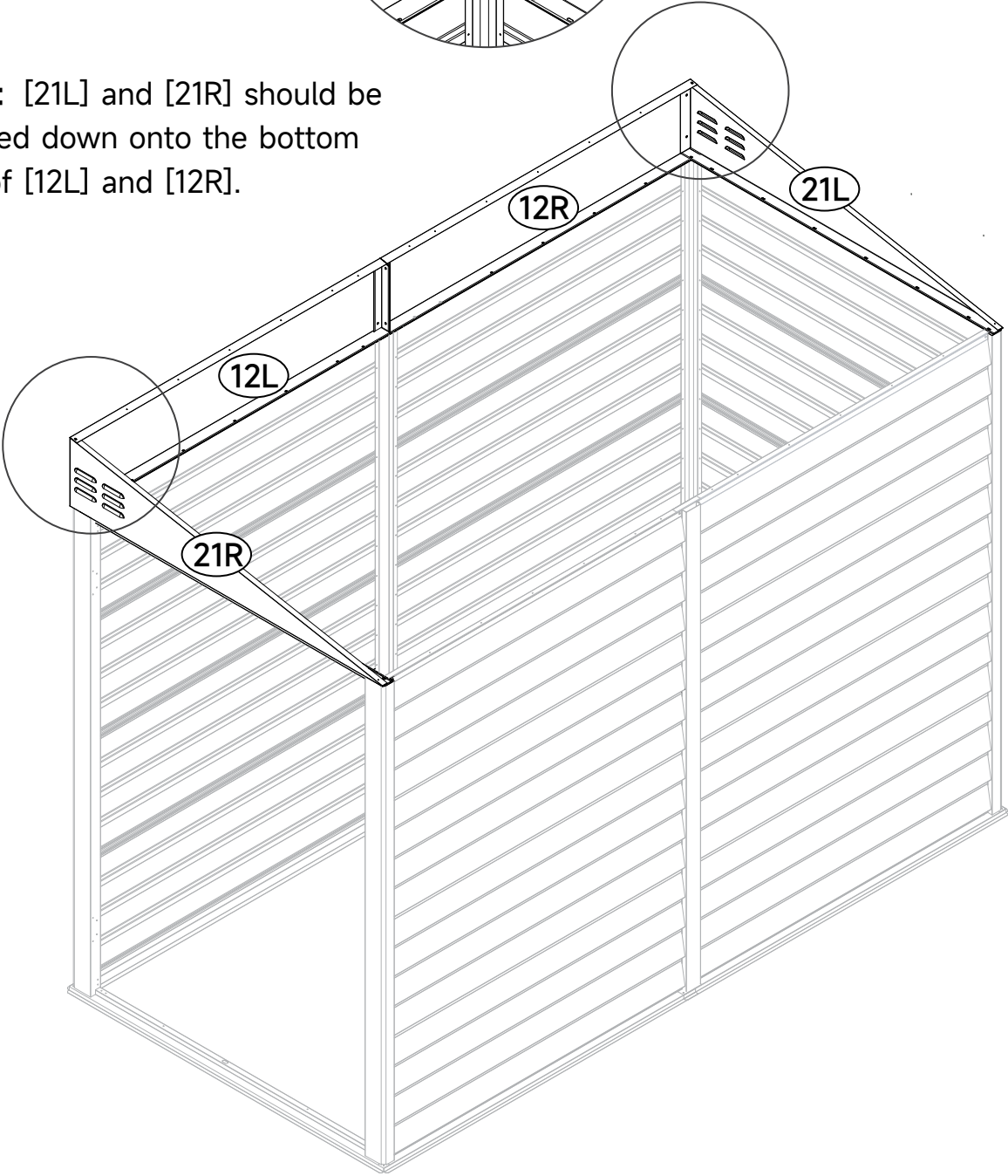


# STEP 17

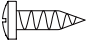

NO	PART	QTY
F2		4

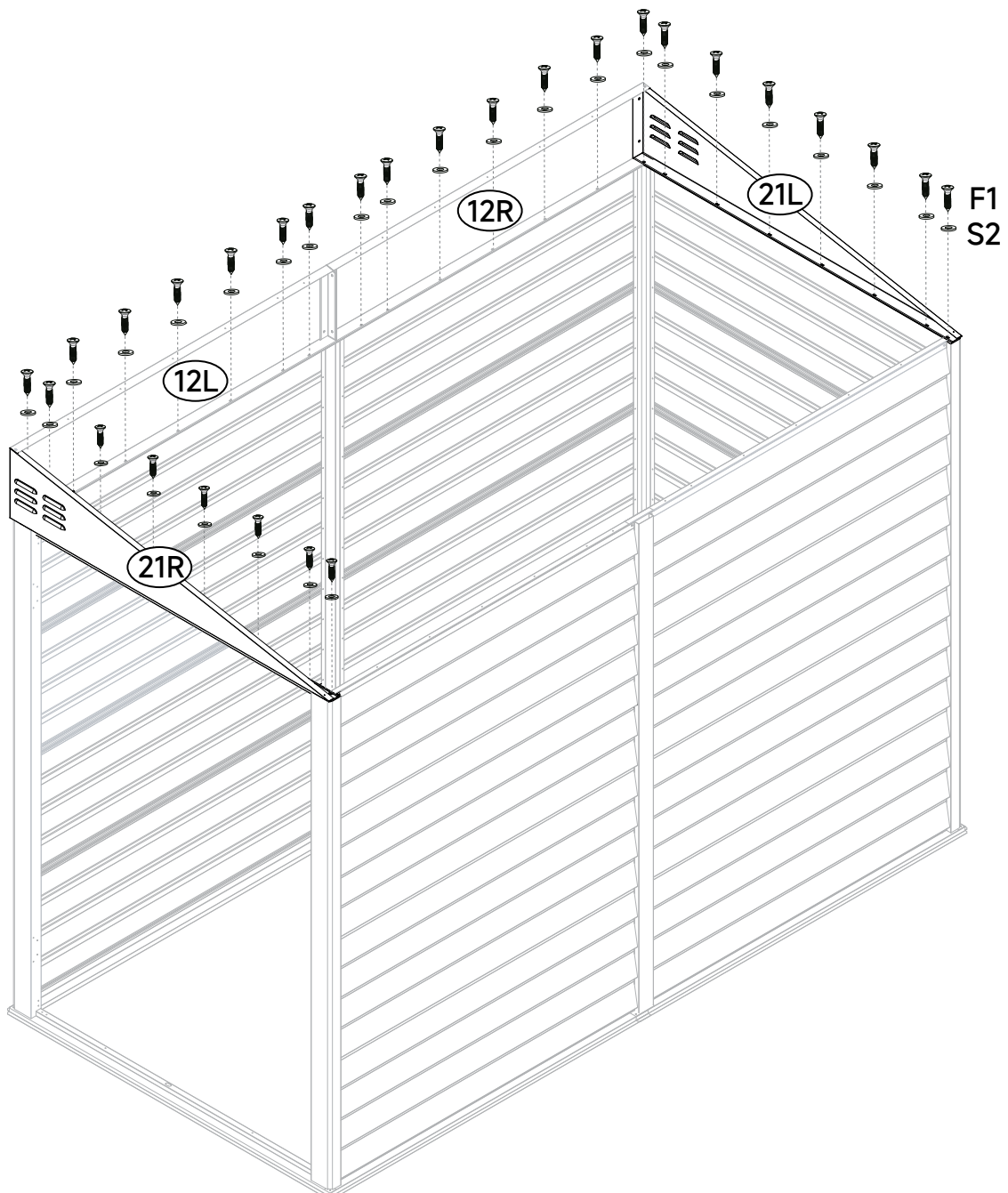


**Note:** [21L] and [21R] should be pressed down onto the bottom end of [12L] and [12R].

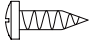



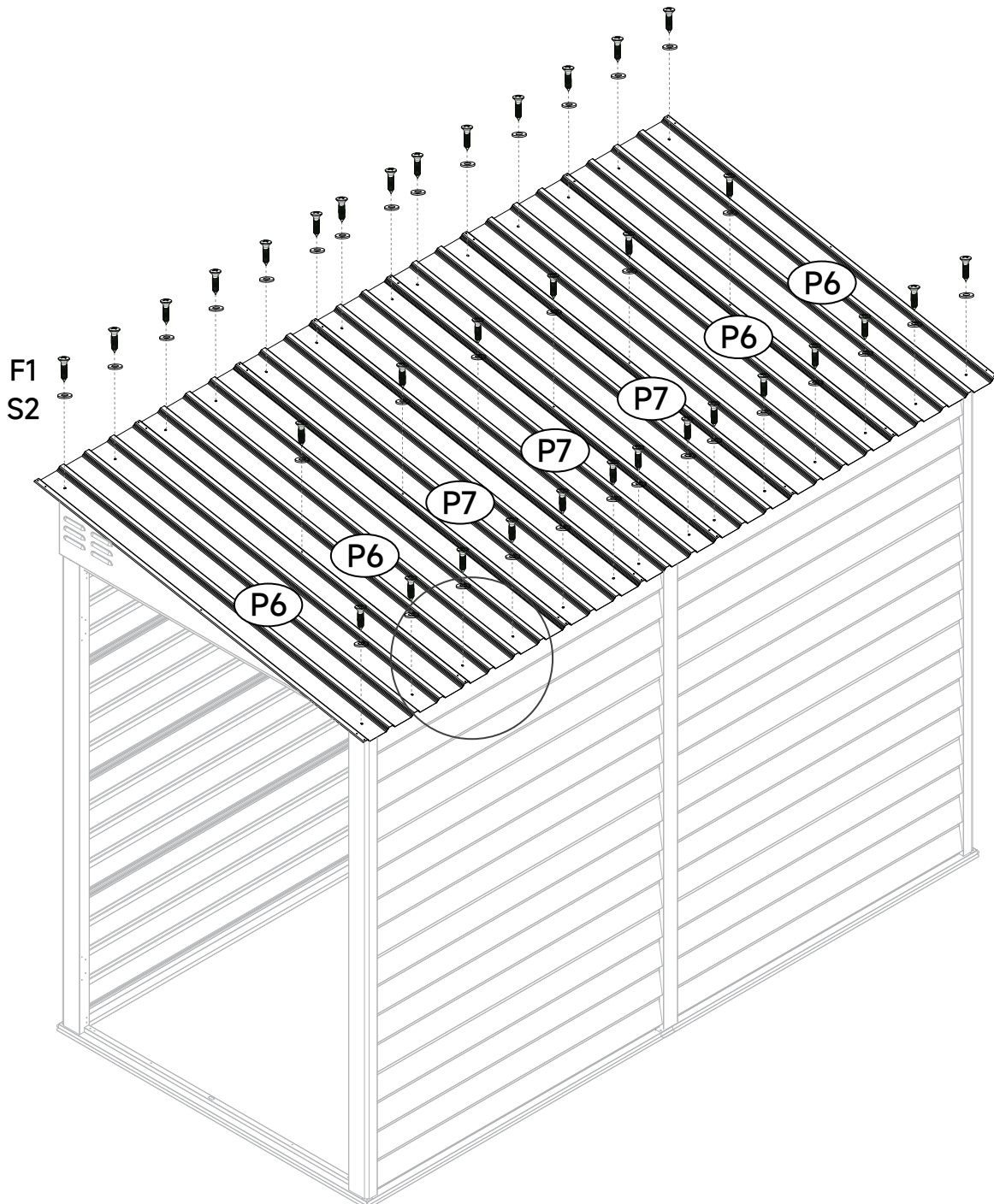
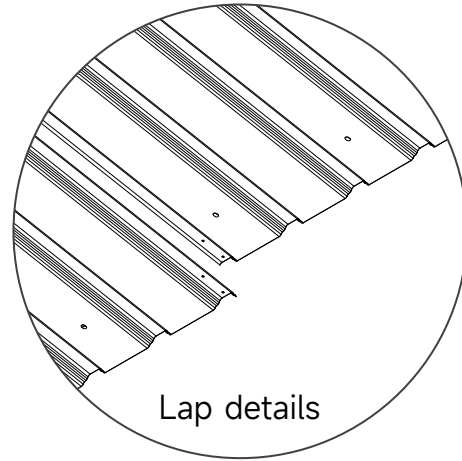
# STEP 18

NO	PART	QTY
F1		28
S2		28

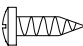



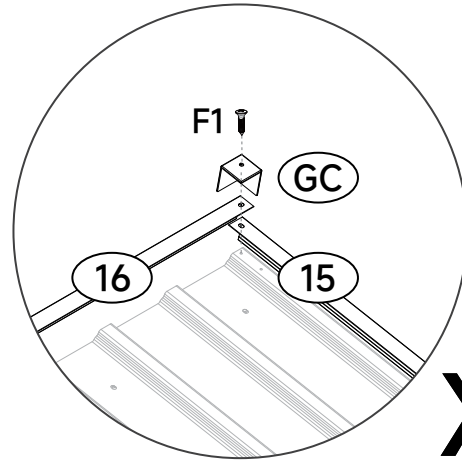
# STEP 19

NO	PART	QTY
F1		34
S2		34

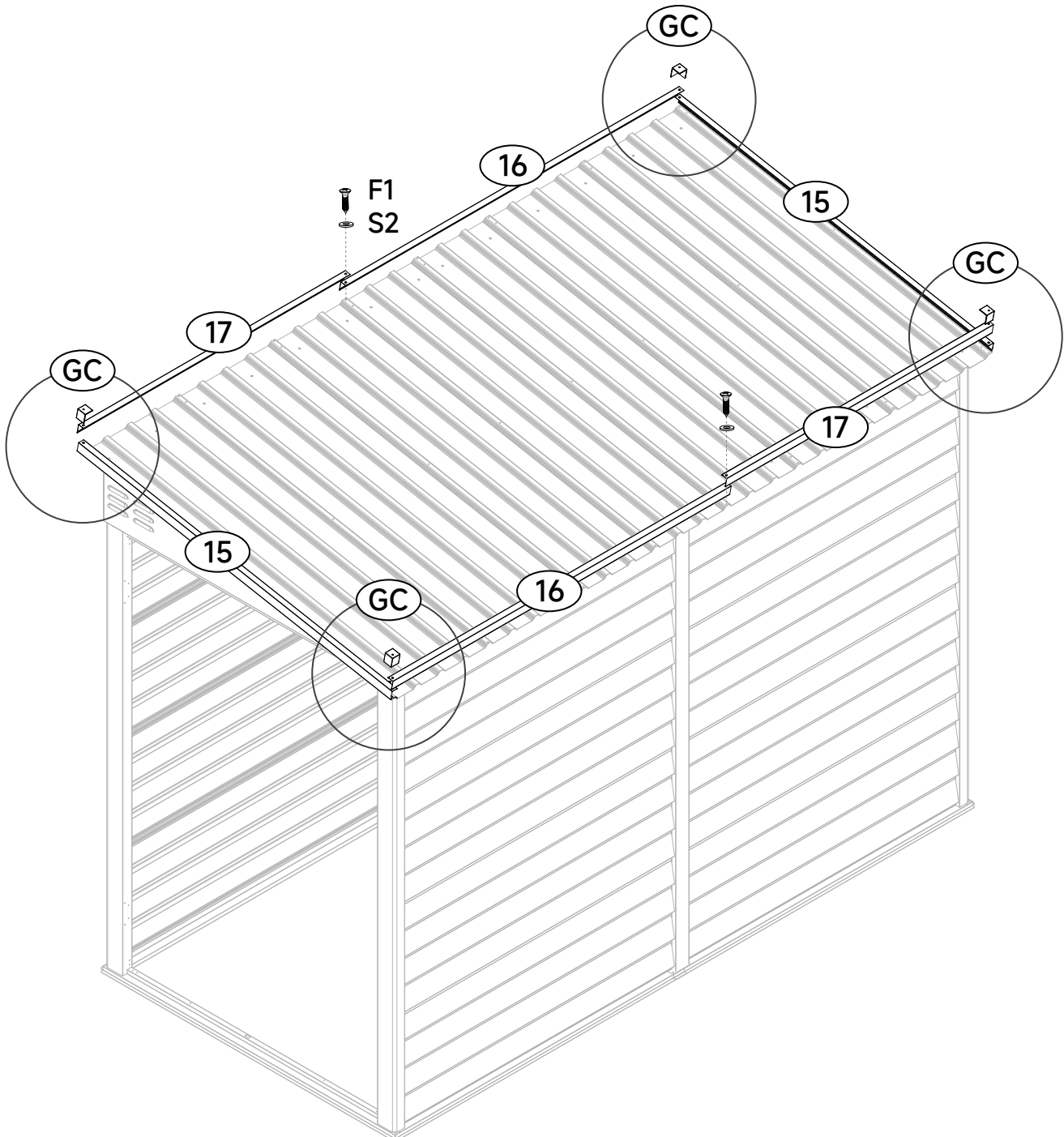


# STEP 20

NO	PART	QTY
F1		6
S2		2

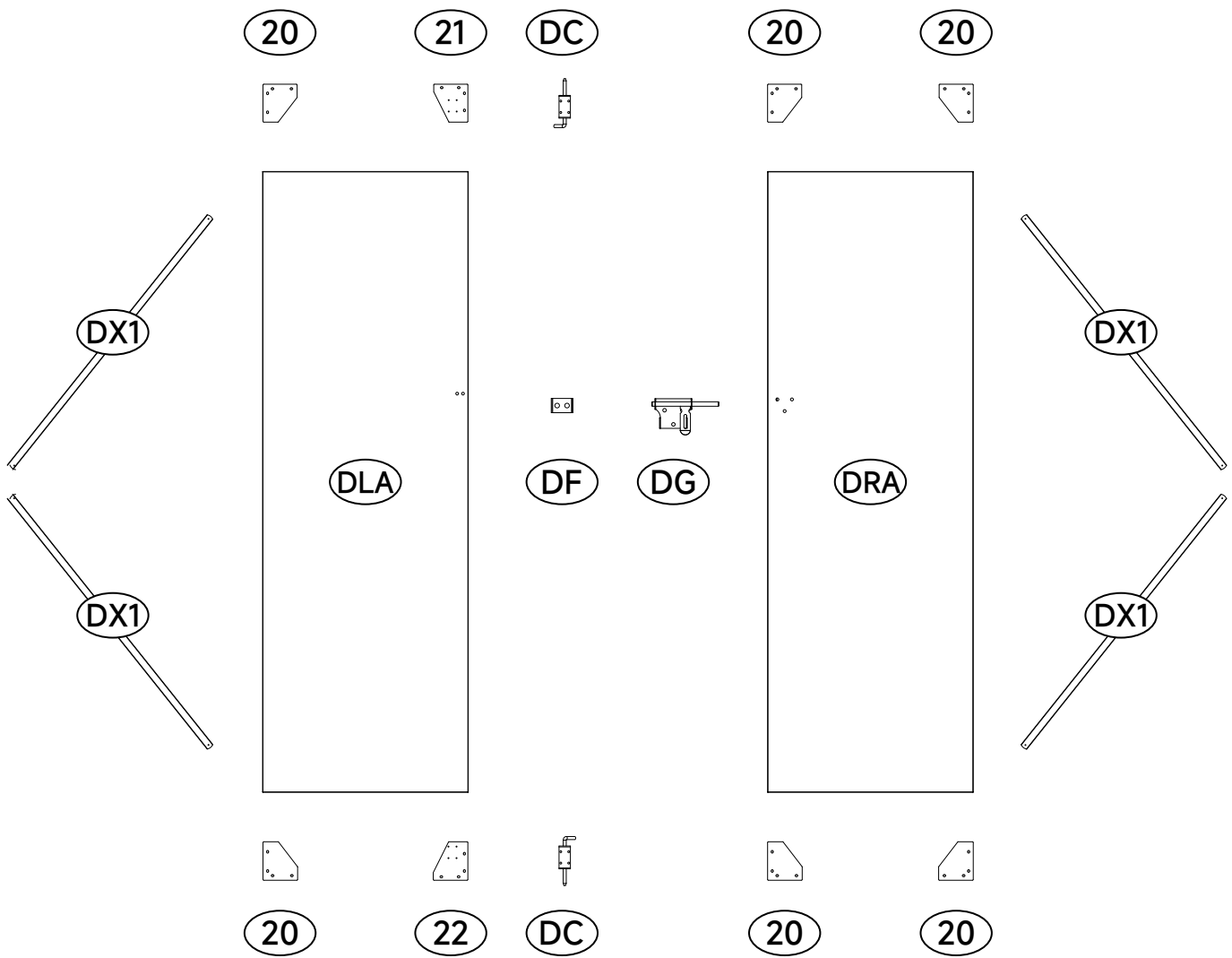


x4

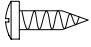


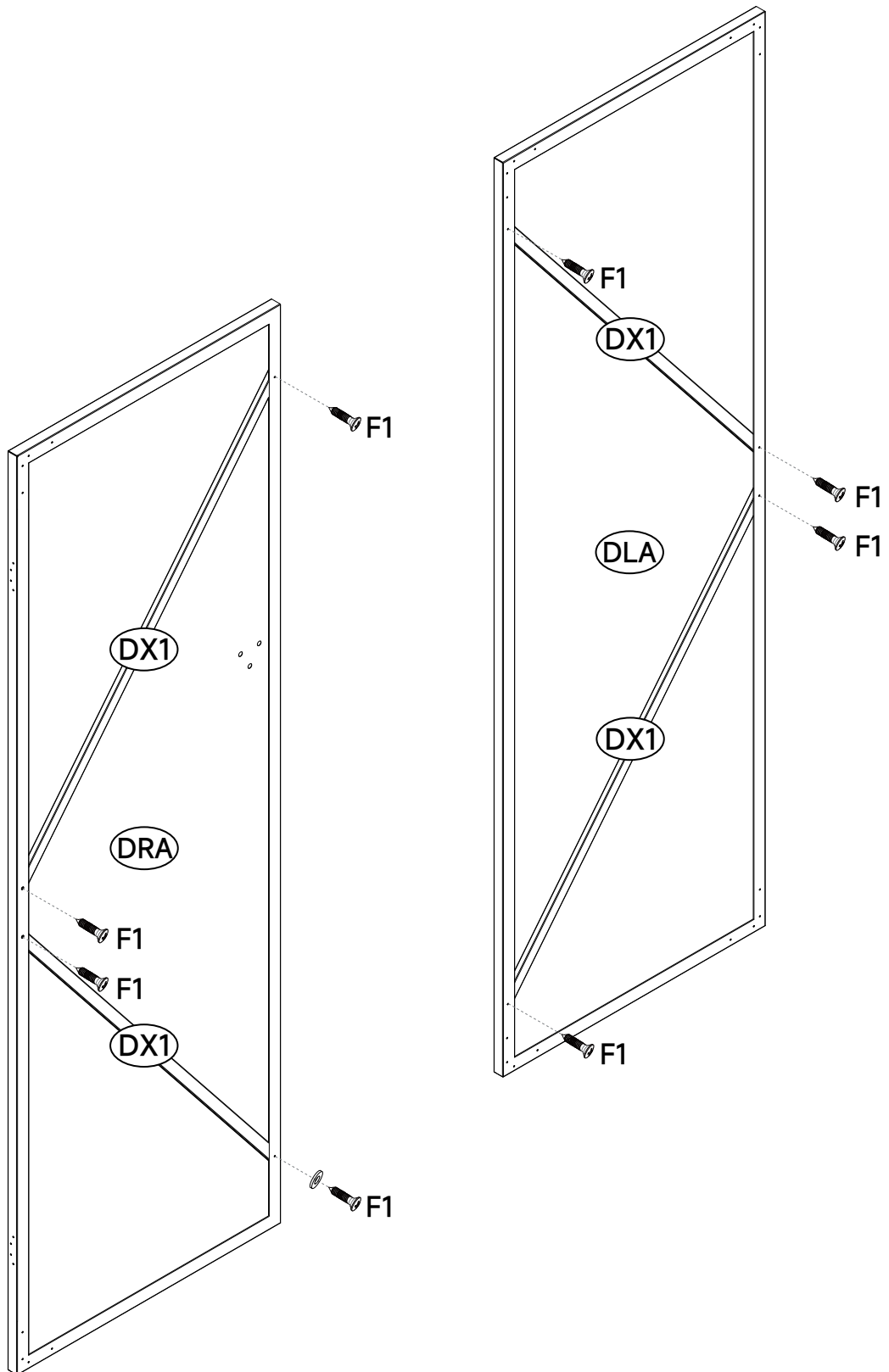
# STEP 21

The following parts are needed when assembling doors.

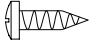


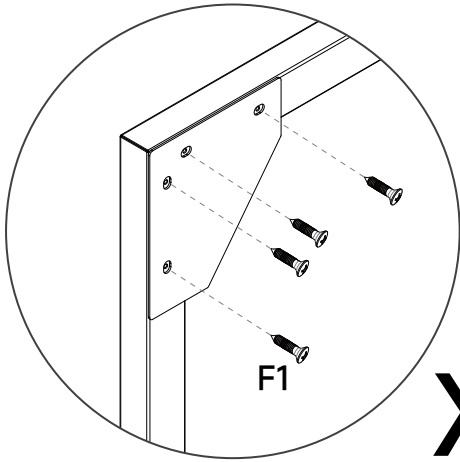
# STEP 22

NO	PART	QTY
F1		8



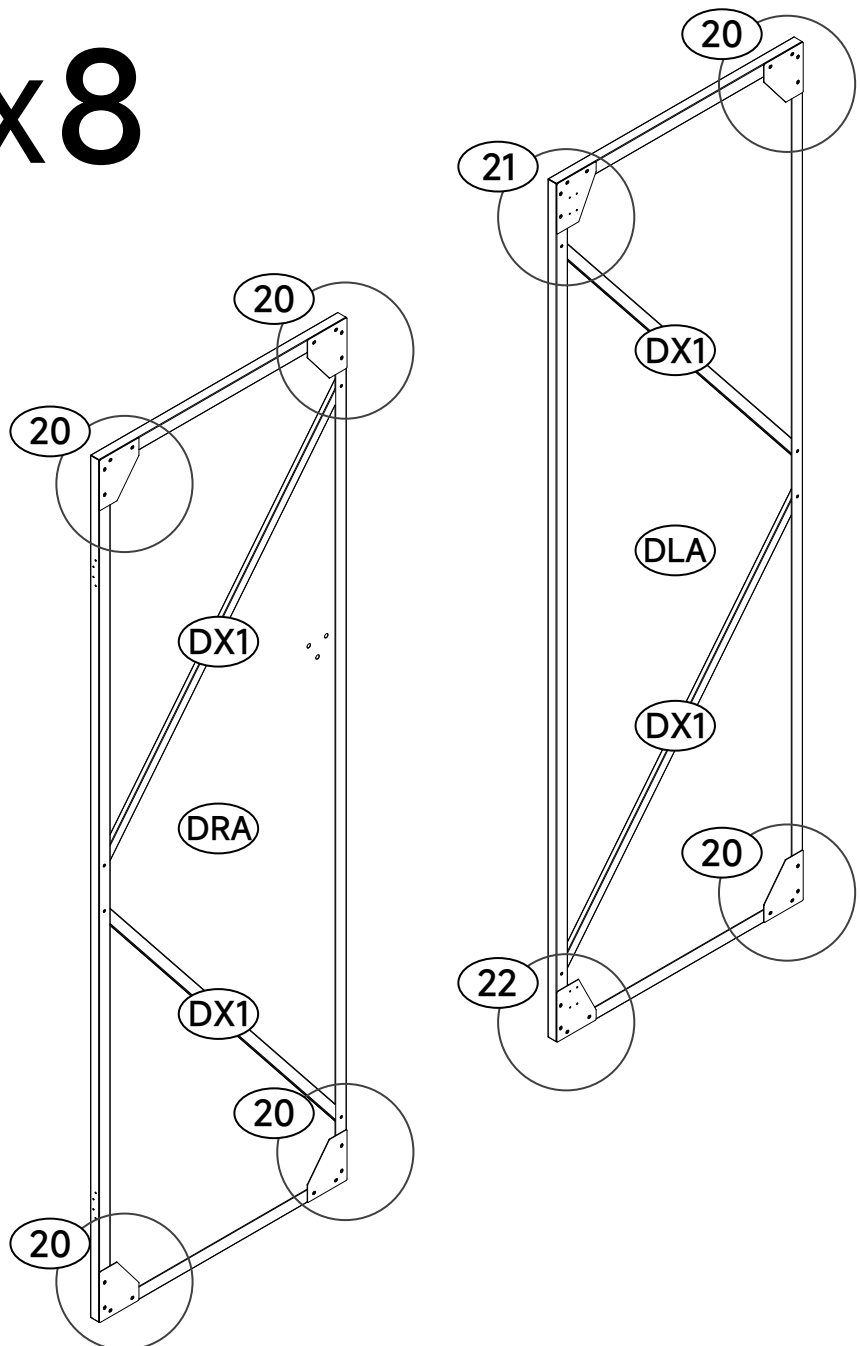
# STEP 23

NO	PART	QTY
F1		32

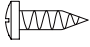


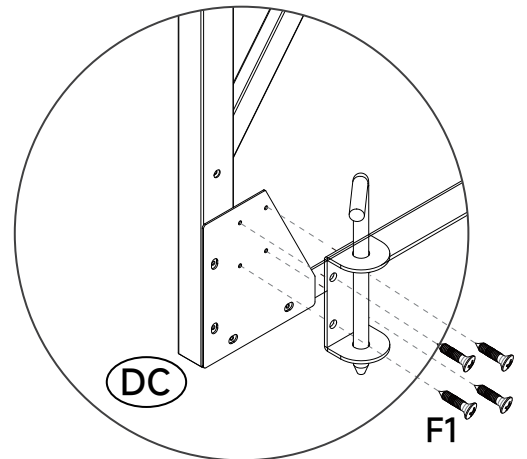
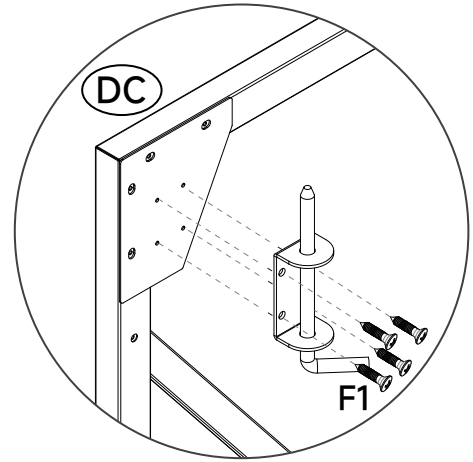
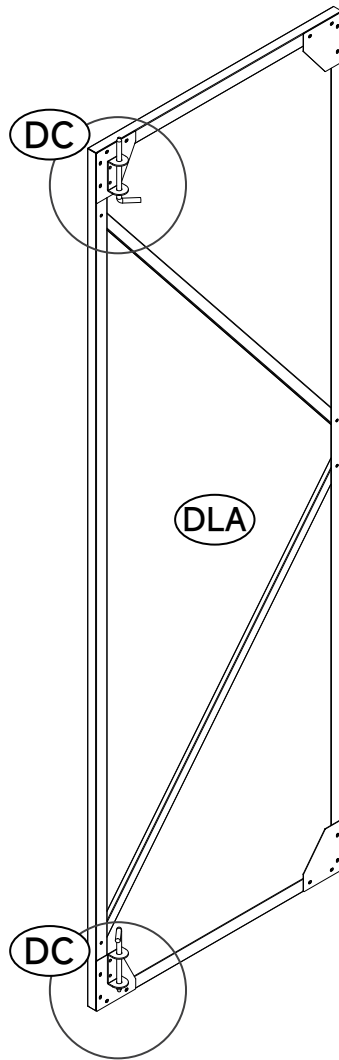
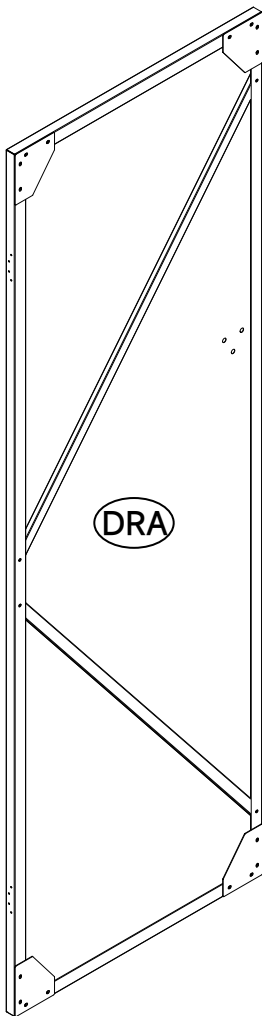
**x8**

**Note:** The positions of [21] and [22].




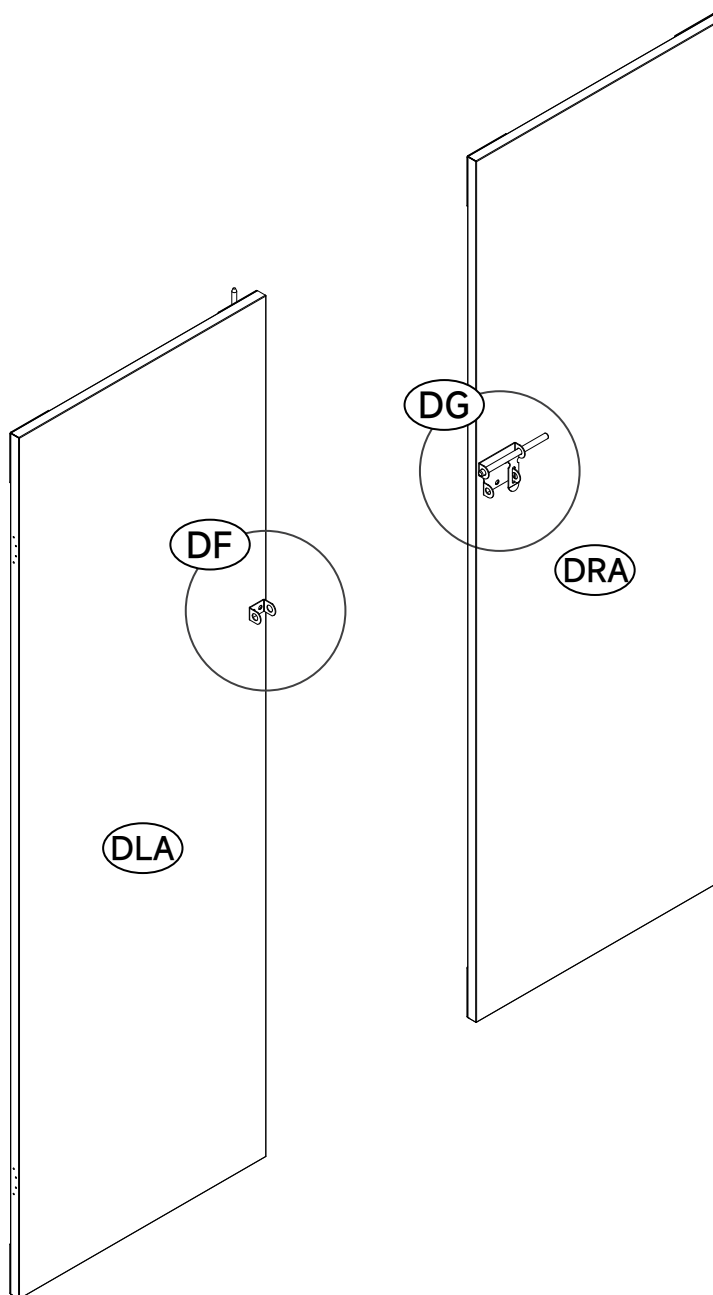
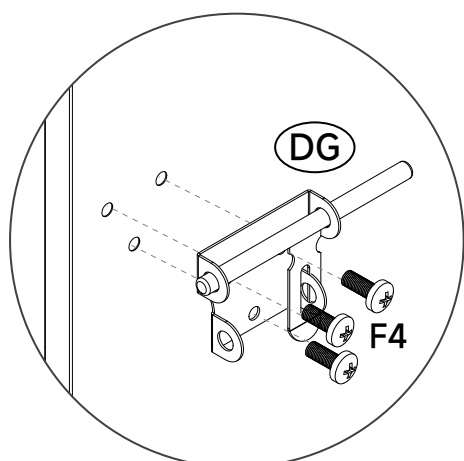
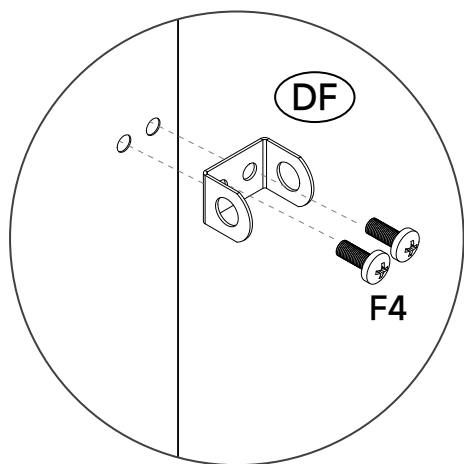
# STEP 24

NO	PART	QTY
F1		8

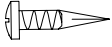


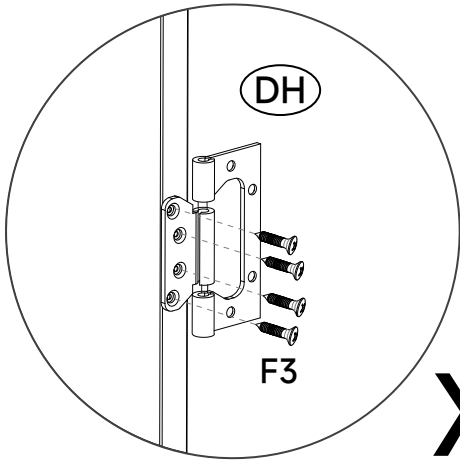
# STEP 25

NO	PART	QTY
F4		5

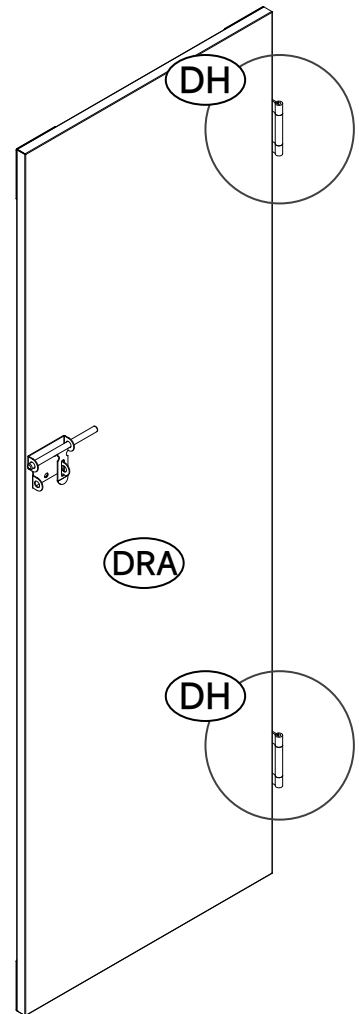
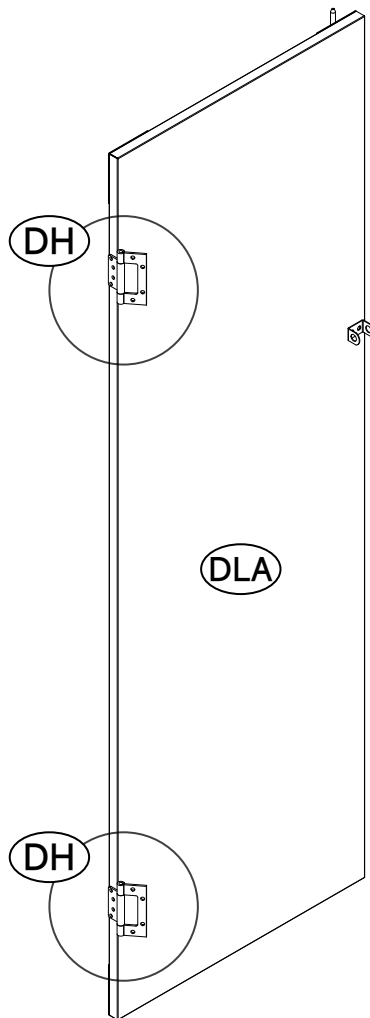


# STEP 26

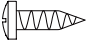
NO	PART	QTY
F3		16

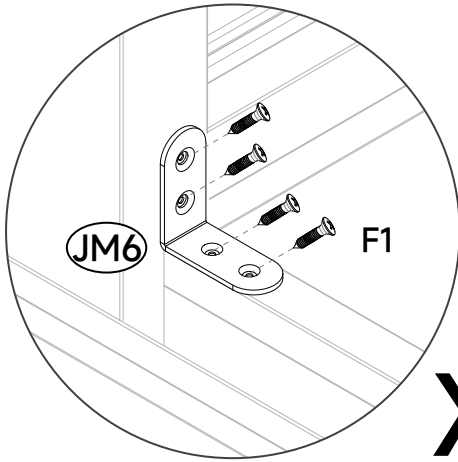


**x4**

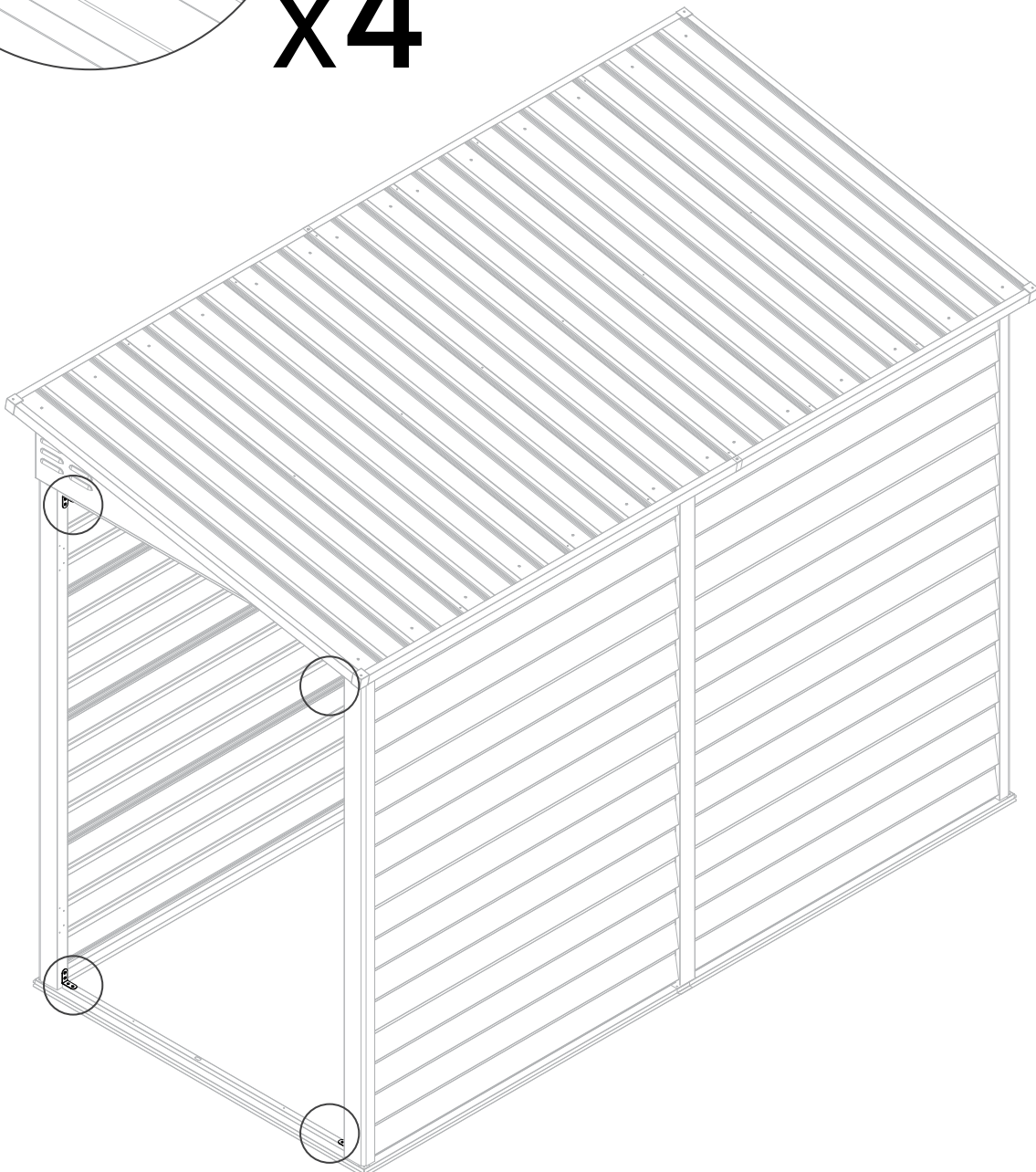


# STEP 27

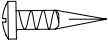
NO	PART	QTY
F1		16

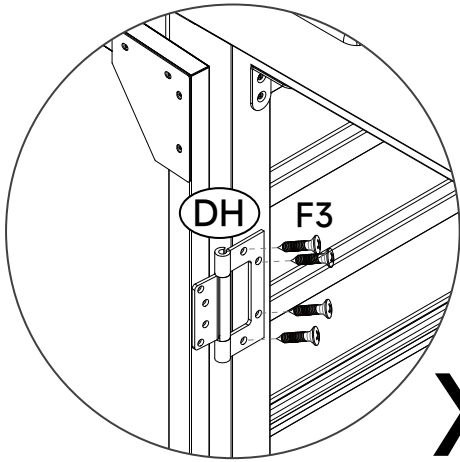


**x4**

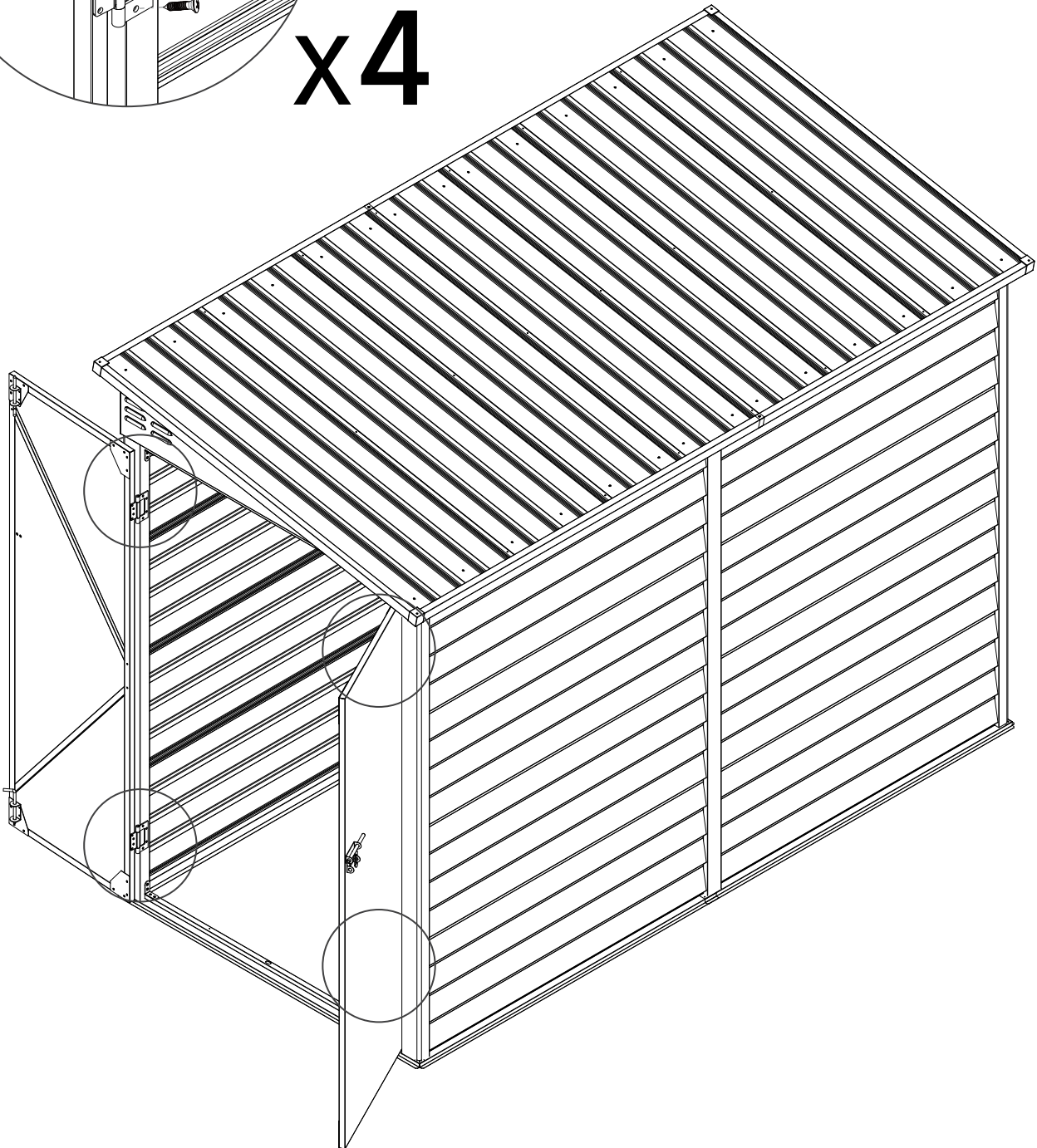


# STEP 28


NO	PART	QTY
F3		16



**x4**



# STEP 29

NO	PART	QTY
S1		156

**Note:** Attach [S1] to the end of the screw to prevent scratching.

