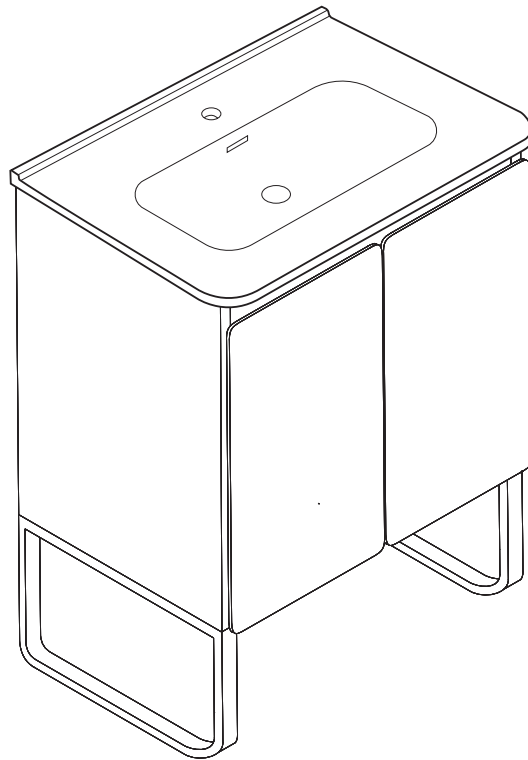


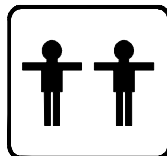
Bathroom Vanity Assembly Guide



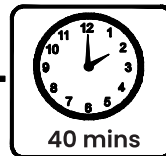
Thank you for selecting our quality product. Prior to assembly, carefully inspect all packing materials for any loose parts. Separate and count all components, comparing them to the parts list provided.

Reminder

Refrain from tightening screws until assembly is complete. This ensures proper alignment and avoids any complications.

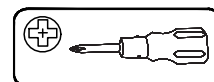


+

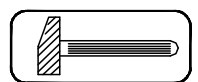


40 mins

Tools Required



Included



Not Included

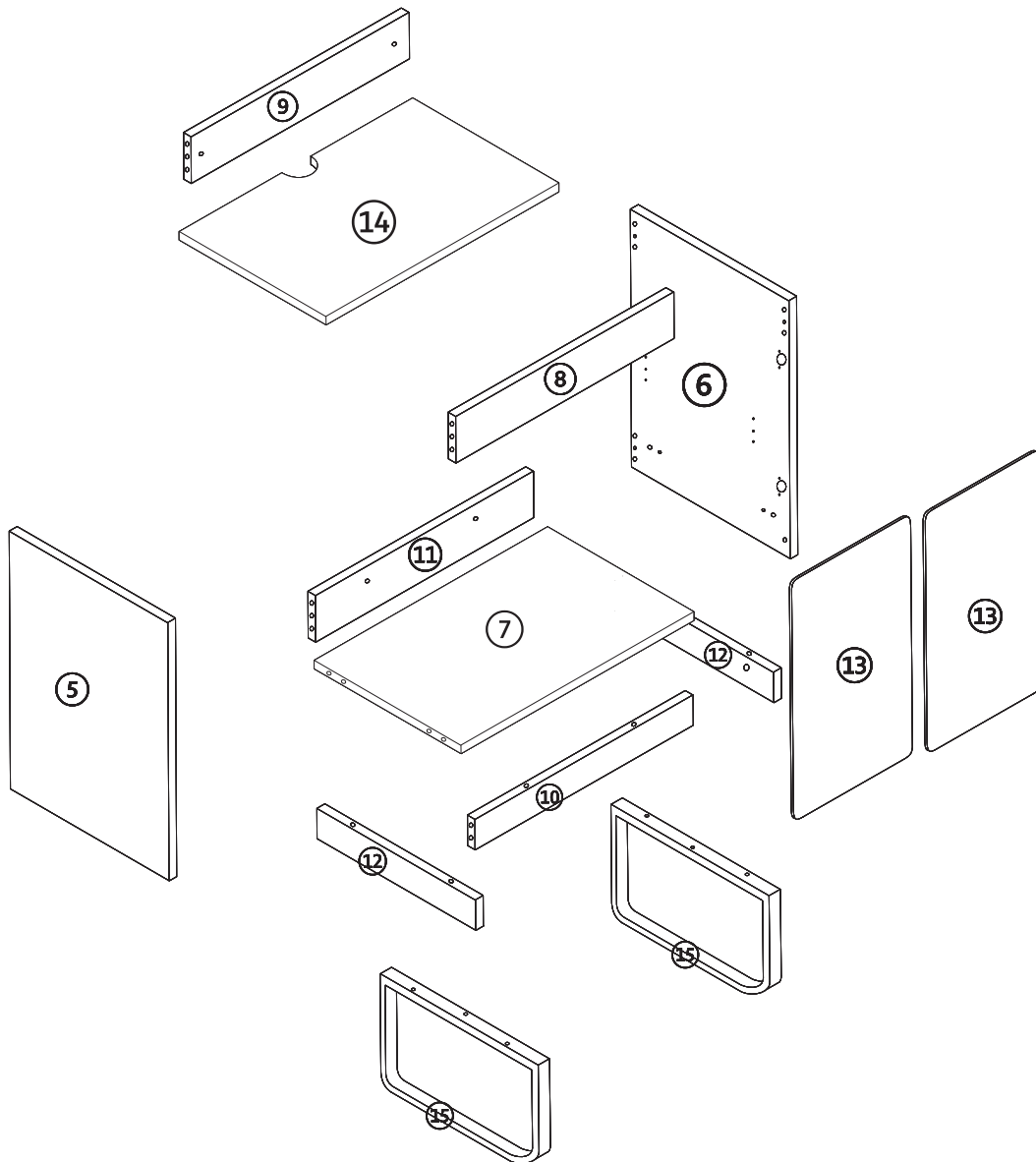
IMPORTANT:
PLEASE READ INSTRUCTIONS BEFORE STARTING THE ASSEMBLY.

Thank you for choosing our products. Please review the installation manual carefully before assembly, following the step-by-step instructions for accessories and hardware. Our detailed guidance ensures a smooth assembly process.

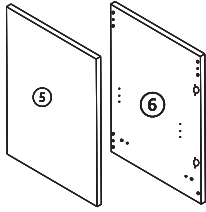
Our products are environmentally friendly. To maintain their quality, avoid submerging them in water, placing heavy items on them, or applying excessive force. If you encounter any issues, please contact us for assistance.

We appreciate your purchase. Thank you.

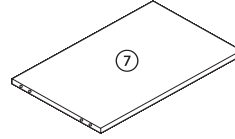
Exploded View



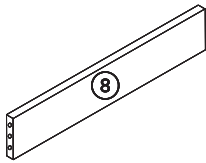
Parts List



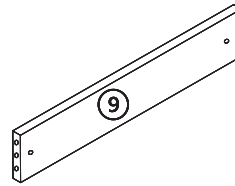
Side Boards
* 2pcs



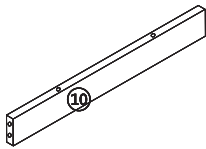
Bottom Boards
* 1pc



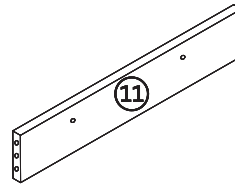
Front top board
* 1pc



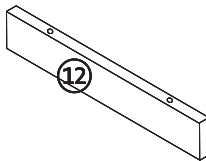
Back top board
* 1pc



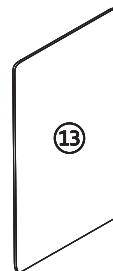
Front bottom board
* 1pc



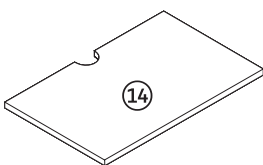
Back bottom board
* 1pc



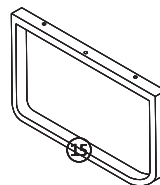
Side Bottom Boards
* 2pcs



Doors
* 2pcs

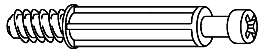


Shelf
* 1pc

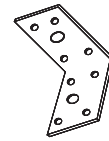


Metal Supports
* 2pcs

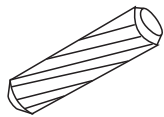
Parts List



A * 26pcs



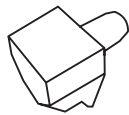
B * 2pcs



C * 10pcs



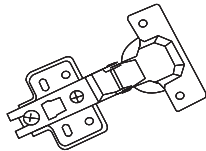
D * 40pcs



E * 4pcs



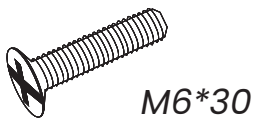
F * 26pcs



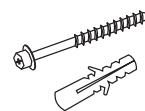
G * 4pcs



H * 26pcs



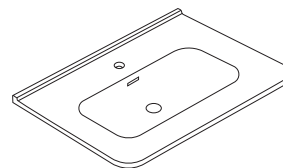
J * 6pcs



K * 2pcs

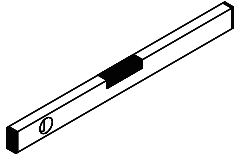


L * 4pcs

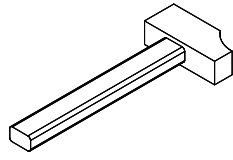


Sink * 1pc

Tools Required



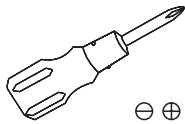
Level



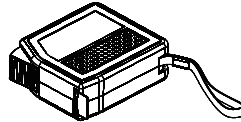
Hammer



Drill (ϕ 5/16")



Screwdriver

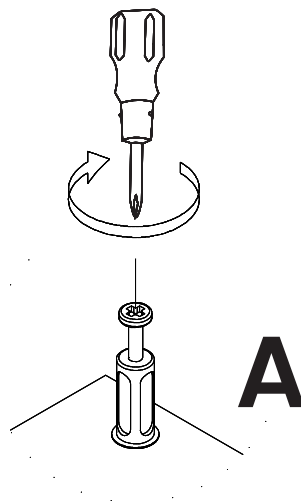


Tape



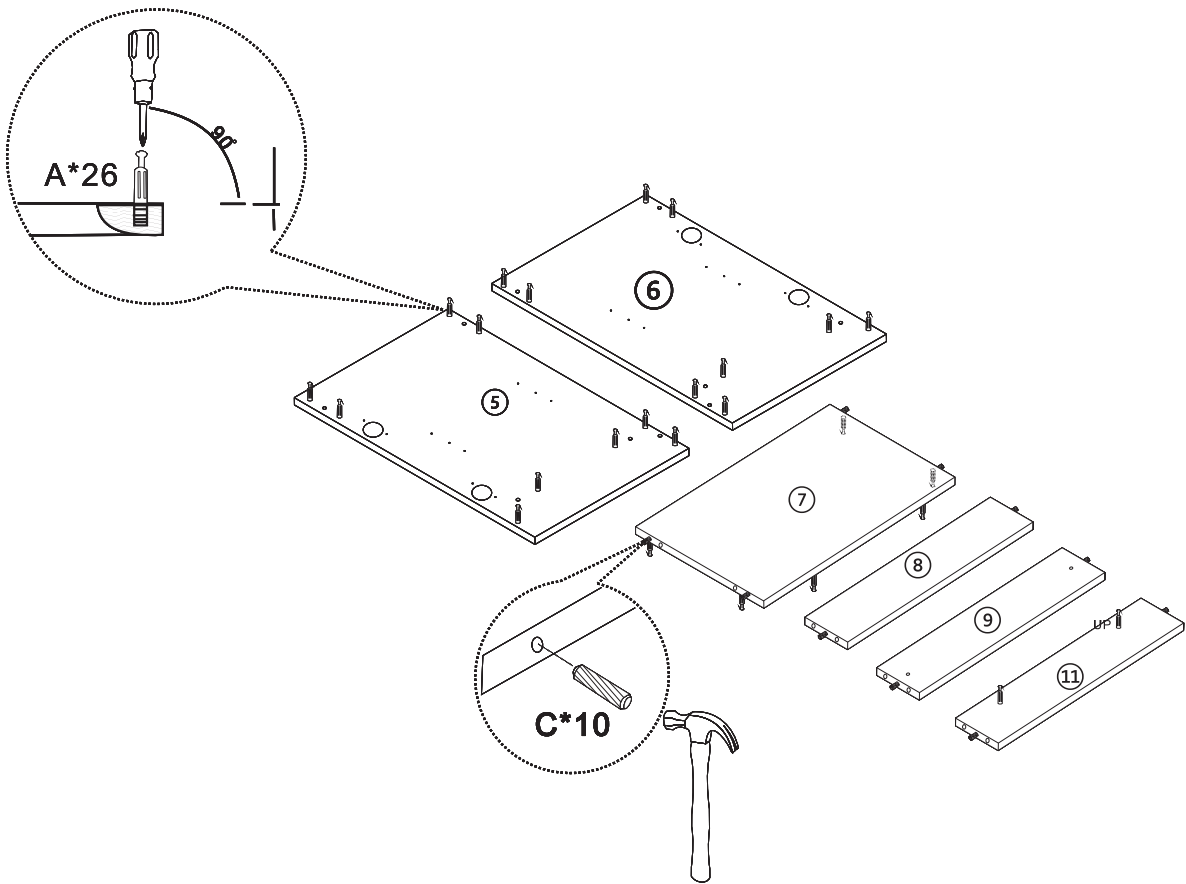
Pencil

How to use the tools:

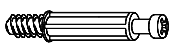


Installation

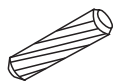
Pre-assembly



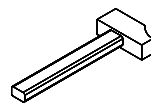
Parts & Tools Required:



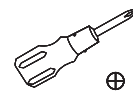
A * 26pcs



C * 10pcs



Hammer

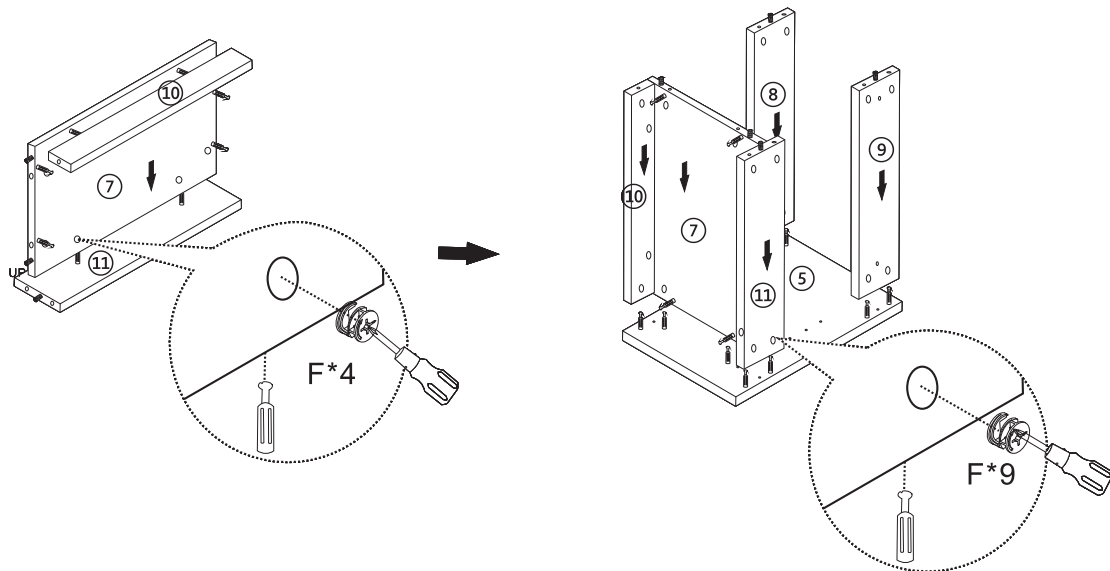


Screwdriver

Installation

Step 1.

Assemble the bottom boards, then connect them and the front/back top boards to a side board.



Parts & Tools Required:



F * 13pcs

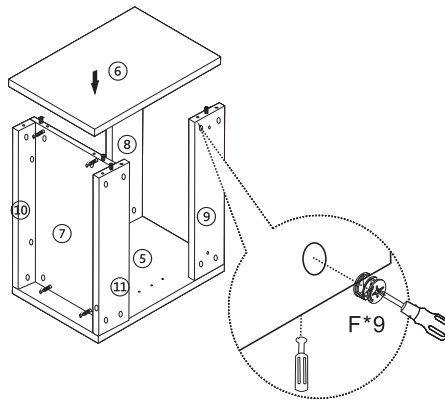


Screwdriver

Installation

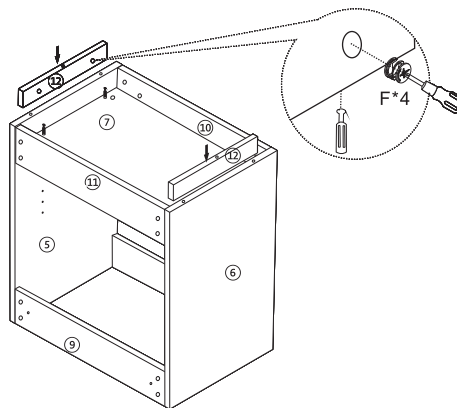
Step 2.

Connect the other side board.



Step 3.

Connect the 2 side bottom boards.



Parts & Tools Required:



F * 13pcs

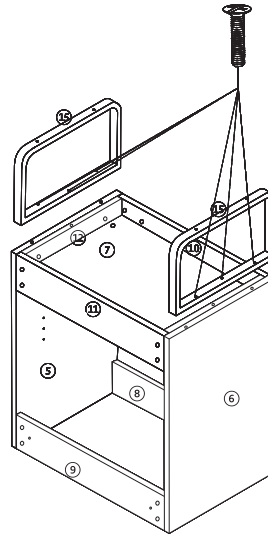


Screwdriver

Installation

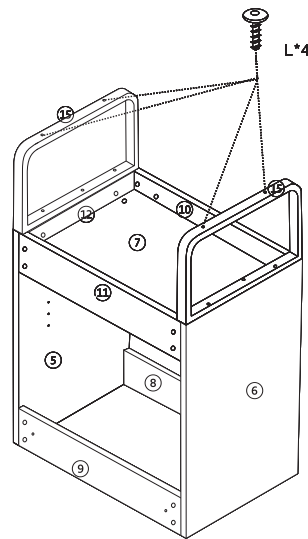
Step 4.

Connect the supports to the bottom of the cabinet.



Step 5.

Install 4 support feet.



Parts & Tools Required:



J * 6pcs



L * 4pcs

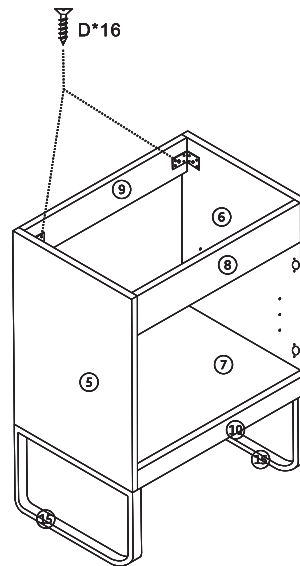


Screwdriver

Installation

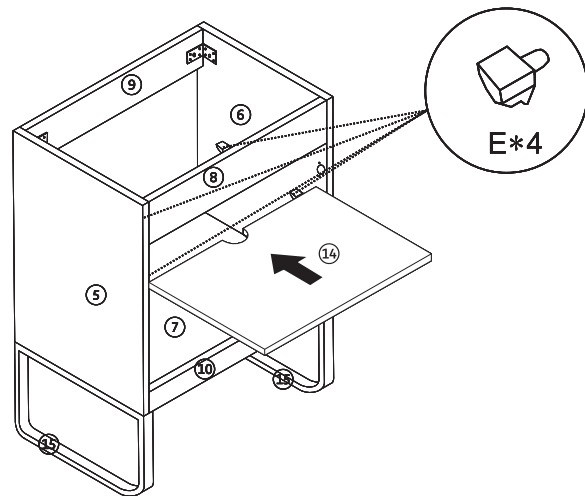
Step 6.

Install 2 connectors using the screws.

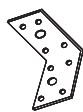


Step 7.

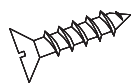
Install 4 shelf supports, then slide in the shelf.



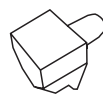
Parts & Tools Required:



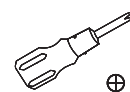
B * 2pcs



D * 16pcs



E * 4pcs

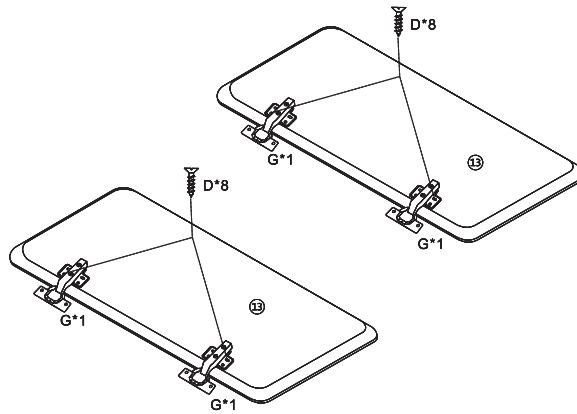


Screwdriver

Installation

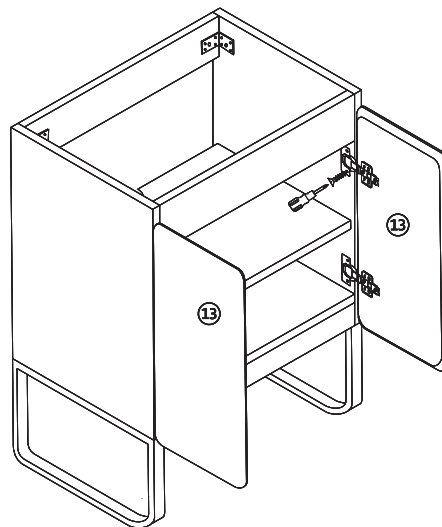
Step 8.

Install hinges on the doors.

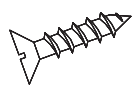


Step 9.

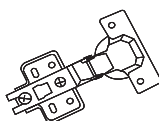
Install doors on the cabinet.



Parts & Tools Required:



D * 24pcs



G * 4pcs

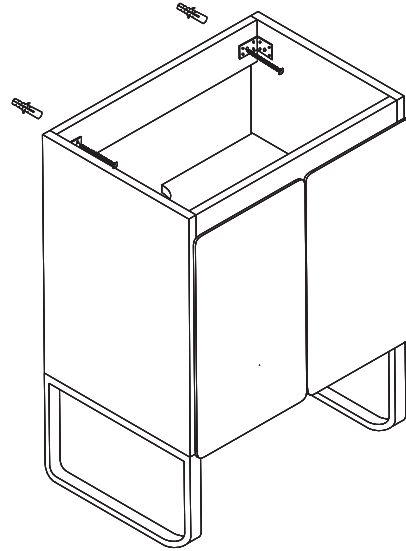


Screwdriver

Installation

Step 10.

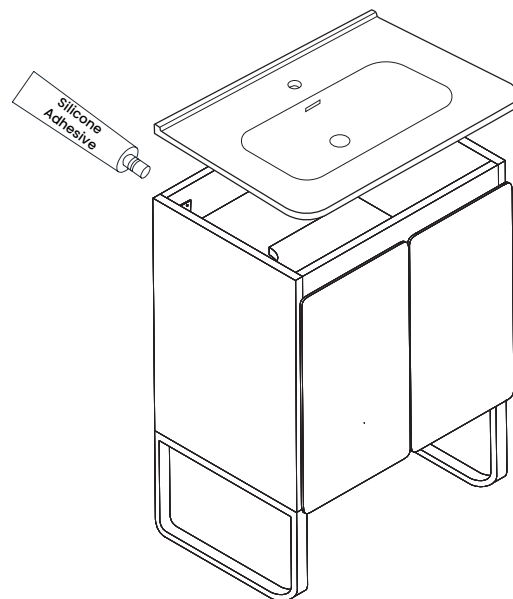
Secure the cabinet to the wall.



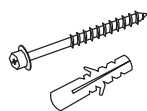
Step 11.

Apply silicone adhesive on the top edge of the cabinet, then put the sink on the cabinet.

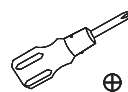
Assembly complete.



Parts & Tools Required:



K * 2pcs



Screwdriver