


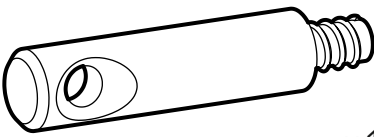

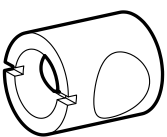
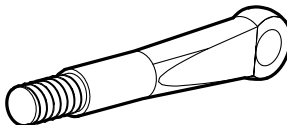
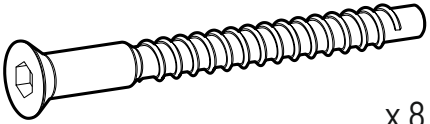
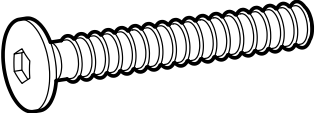
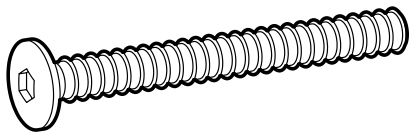
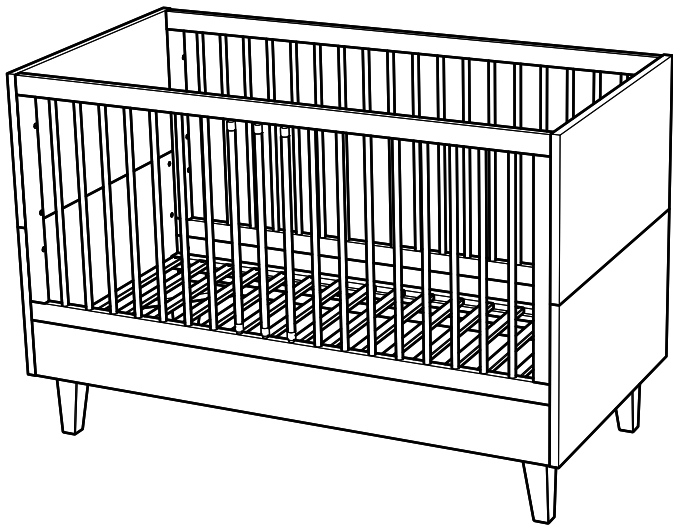
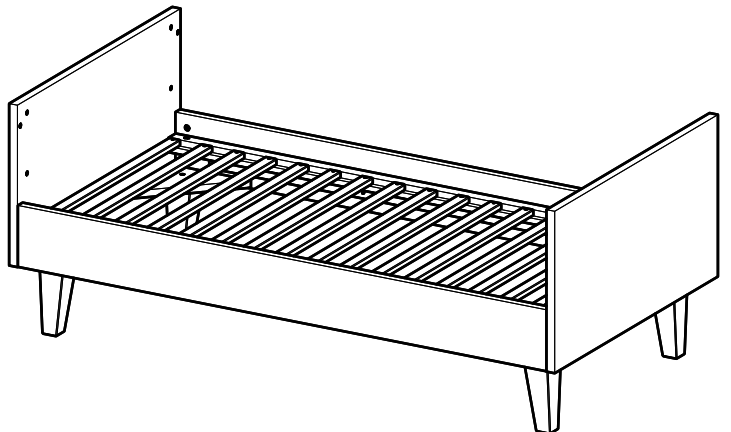


<p>1111440</p>  <p>x 1</p>	<p>1000806</p>  <p>x 1</p>	<p>1005857</p>  <p>x 12</p>
<p>1107571</p>  <p>x 16</p>	<p>1109474</p>  <p>x 16</p>	<p>1109473</p>  <p>x 16</p>
<p>1005549</p>  <p>x 4</p>	<p>1005962</p>  <p>x 8</p>	<p>1005377</p>  <p>x 4</p>
<p>1005687</p>  <p>x 12</p>		

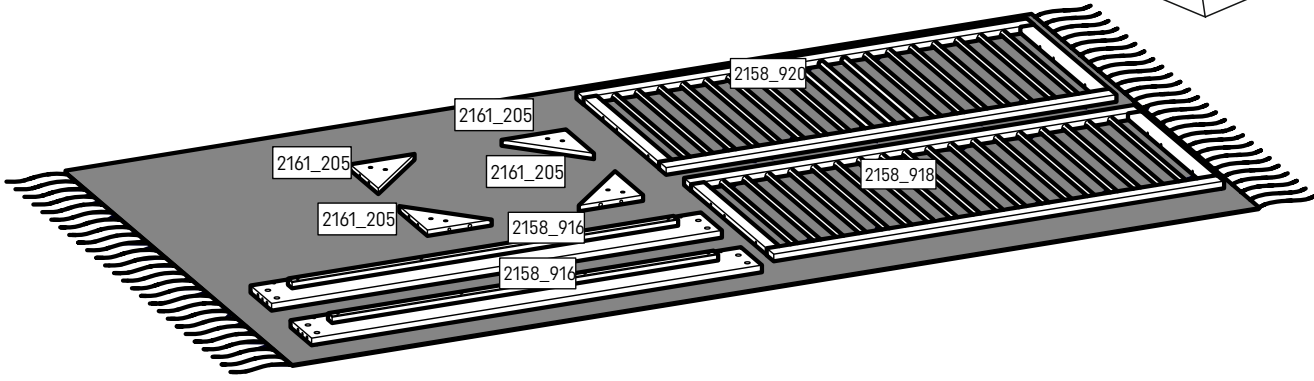
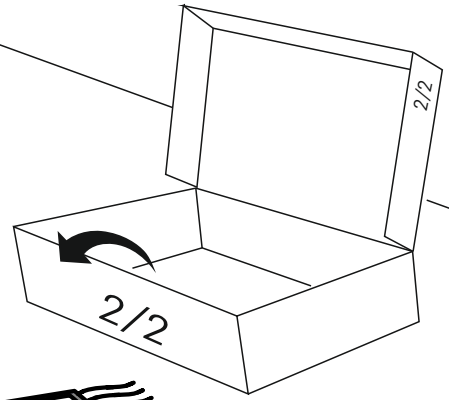
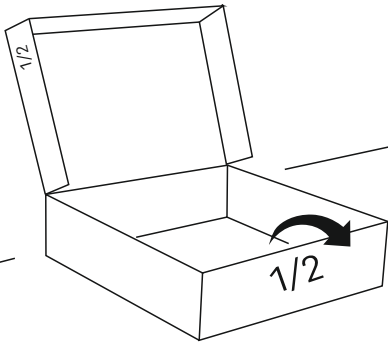
A



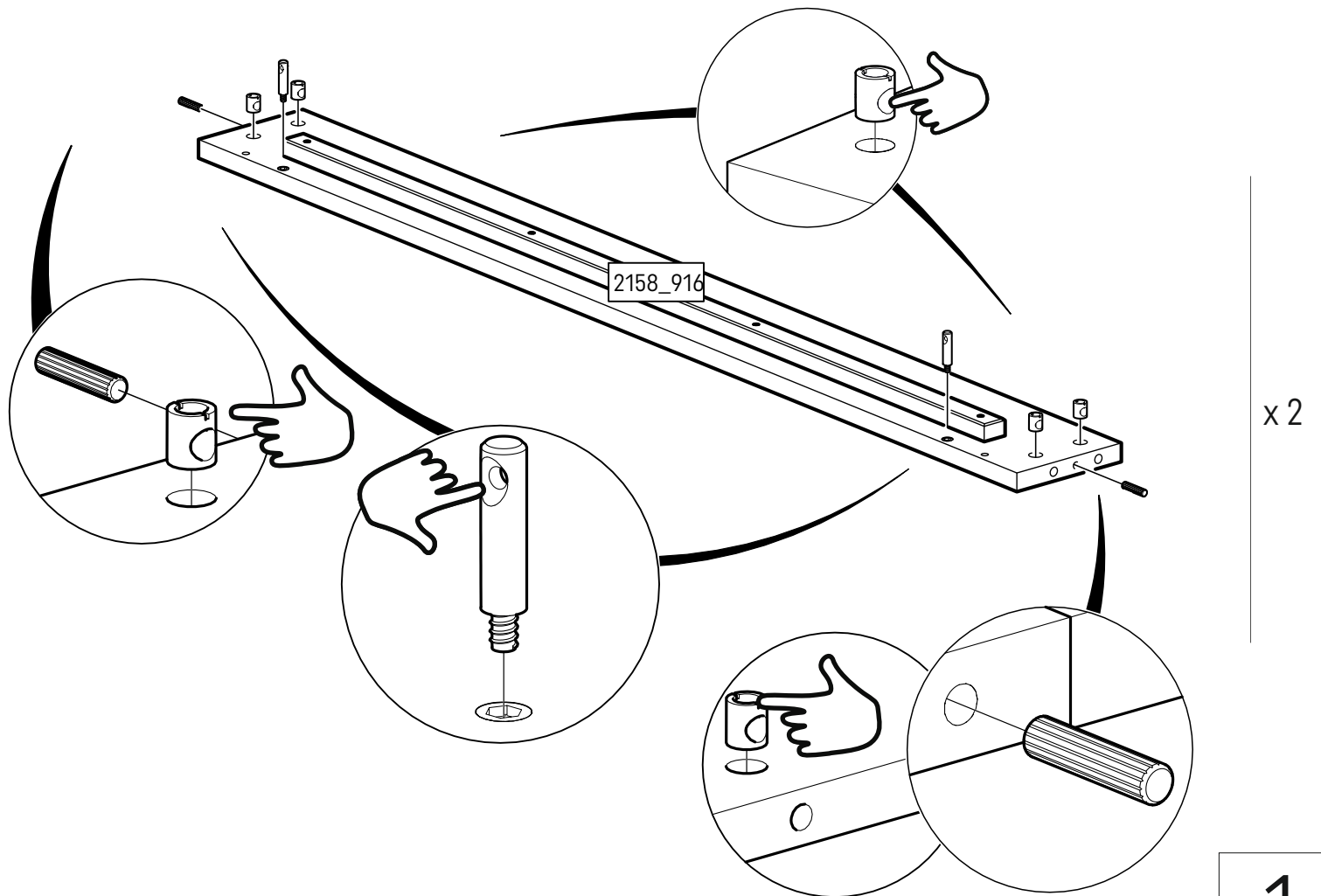
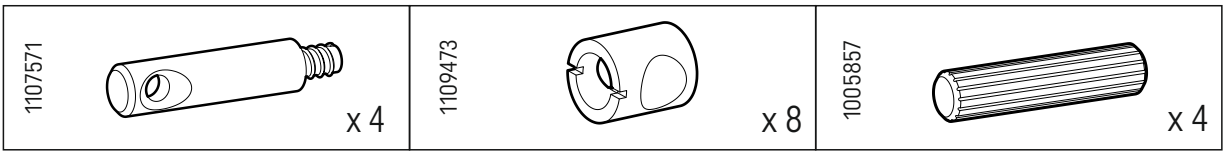
B



i

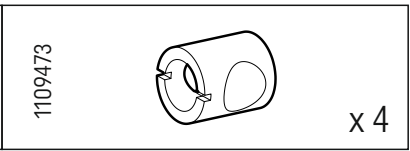
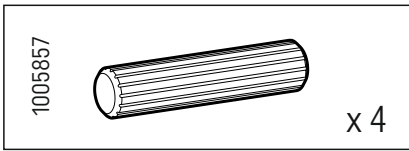
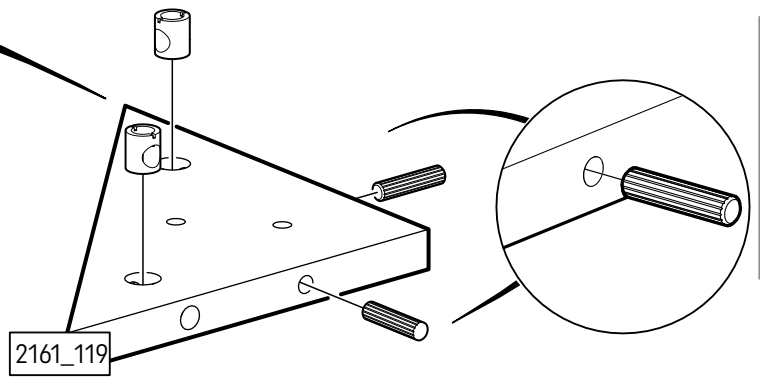
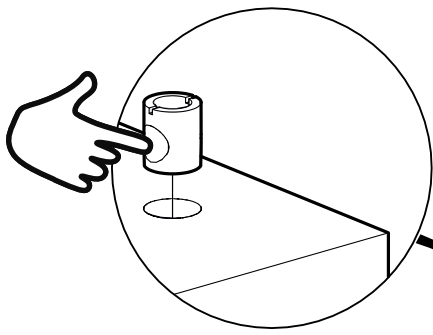


1



1

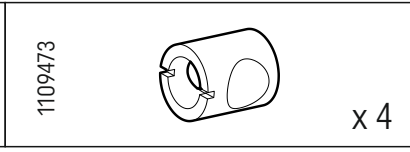
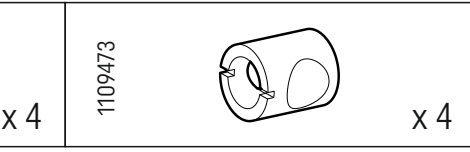
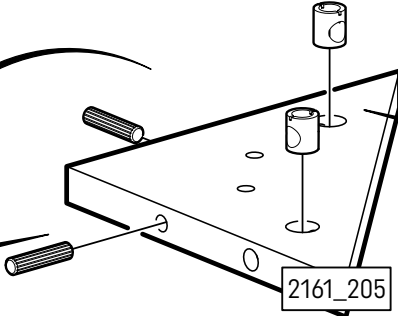
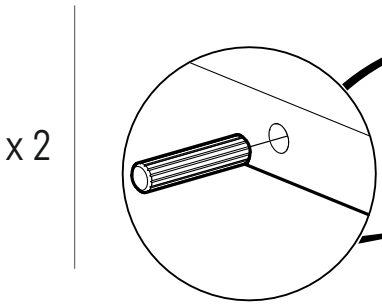
2



x 2

2161_119

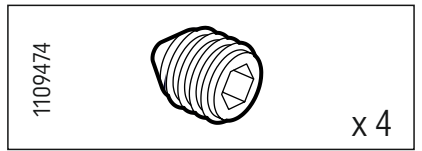
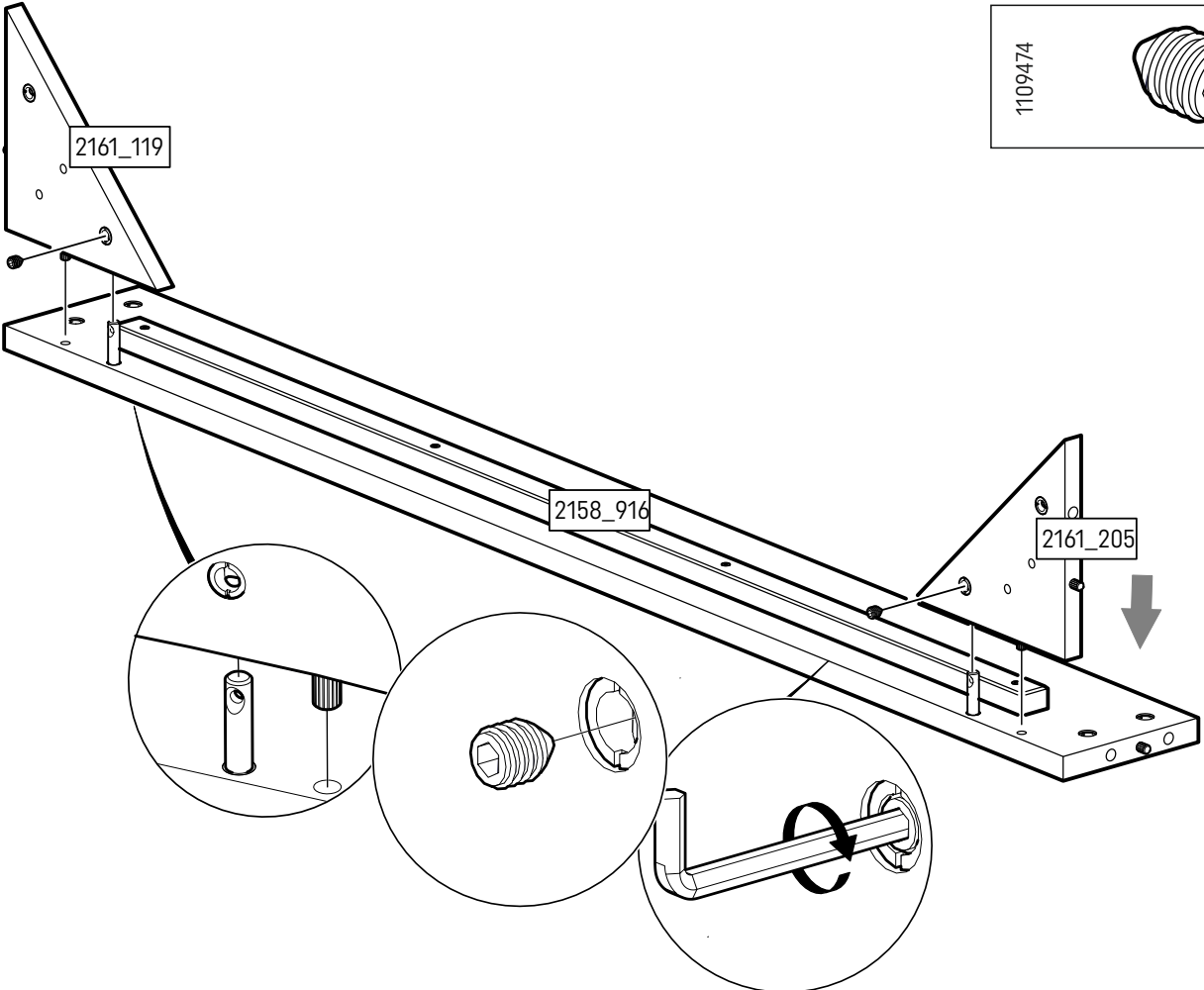
3



x 2

2161_205

4



x 2

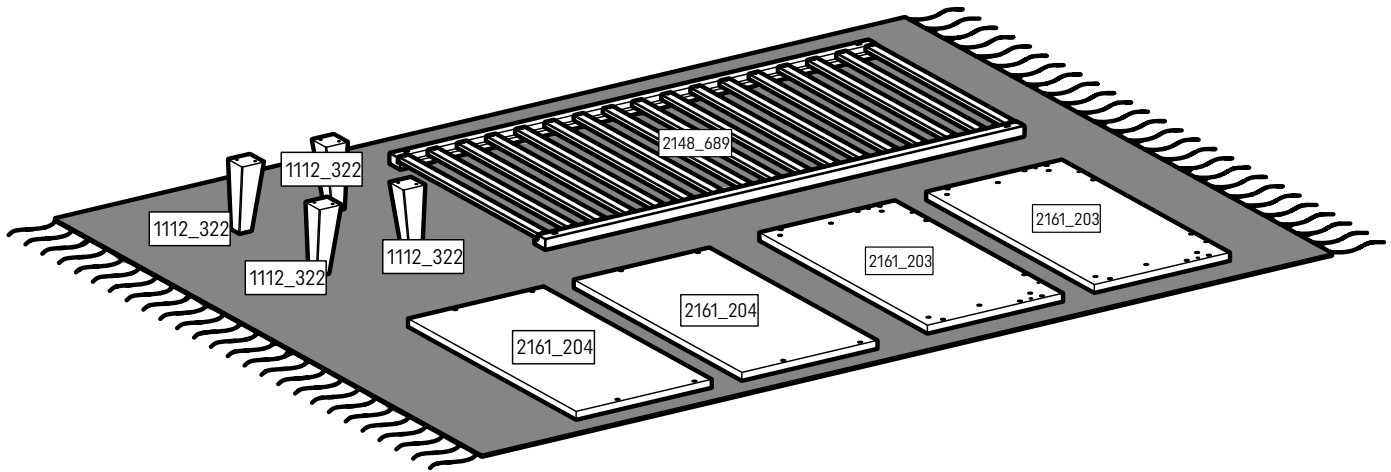
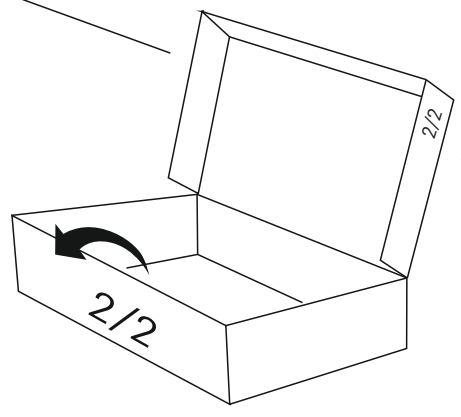
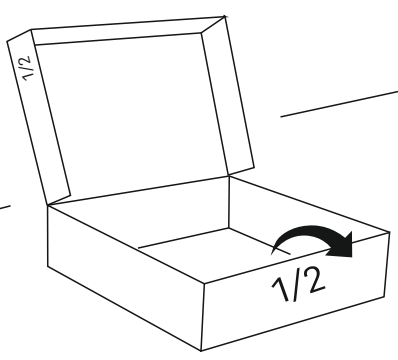
2161_119

2158_916

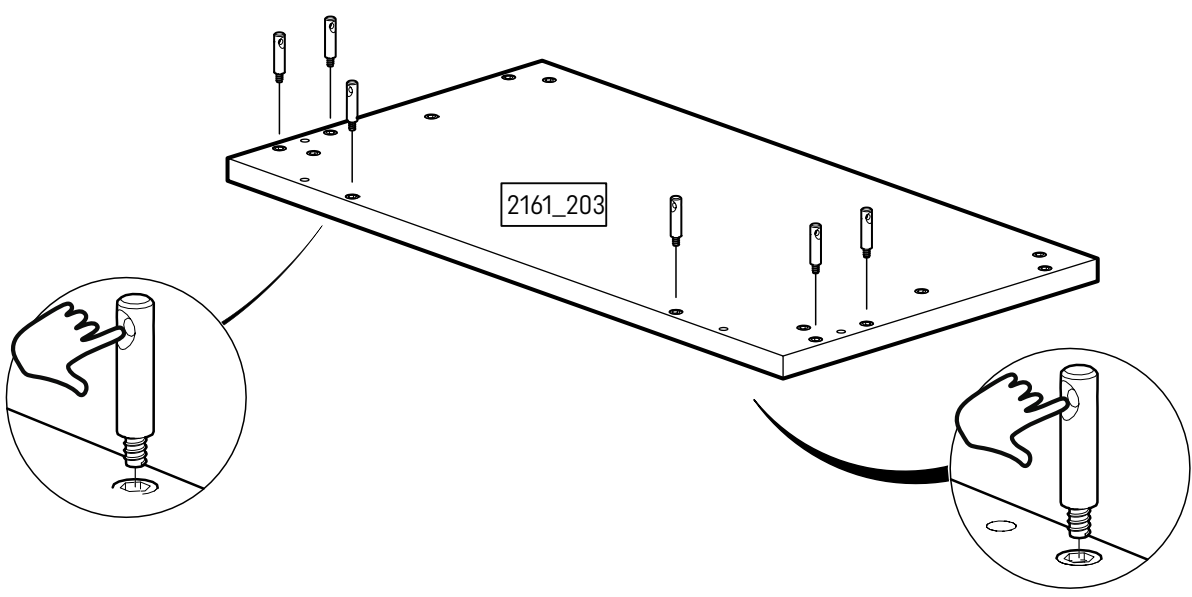
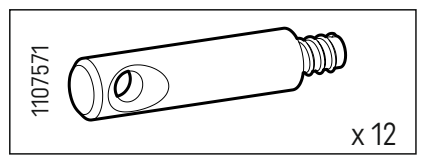
2161_205

2

i



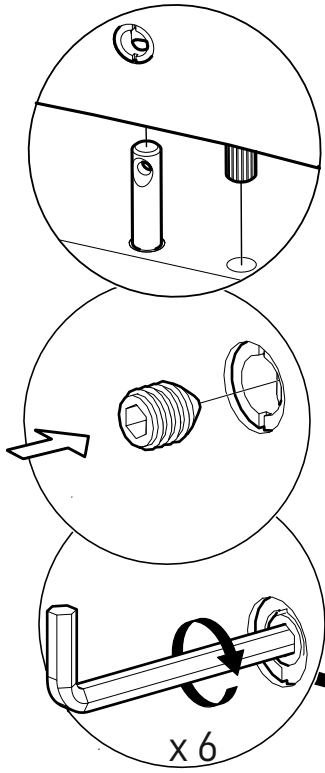
5



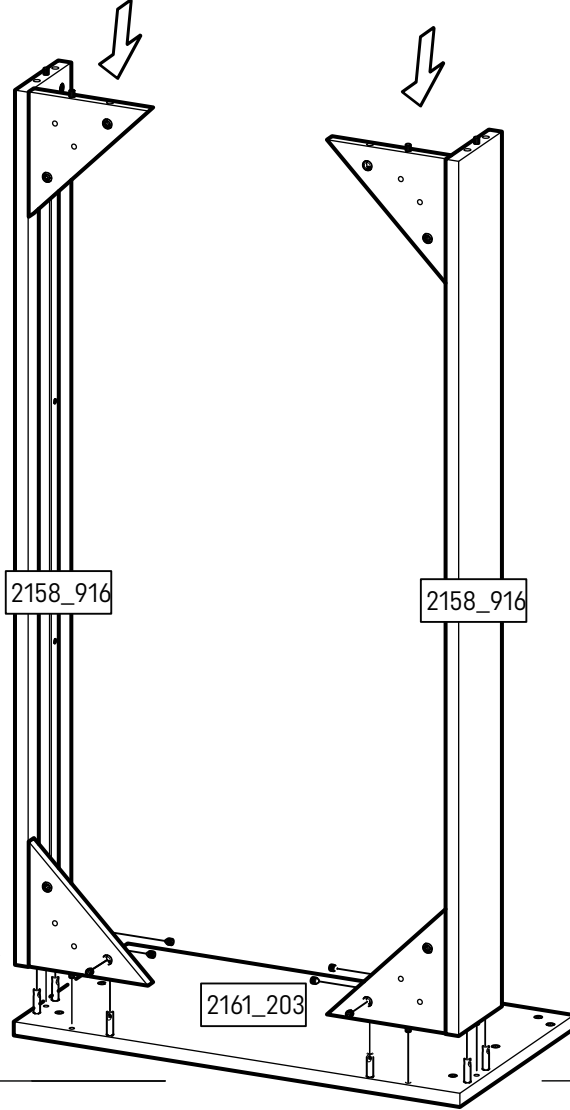
x 2

3

6



x 6

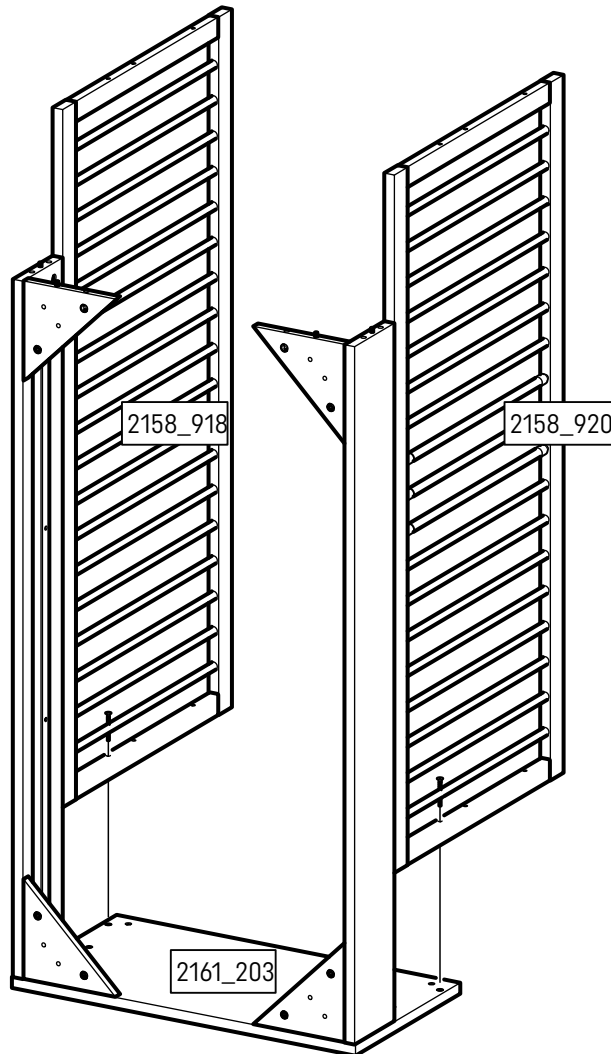
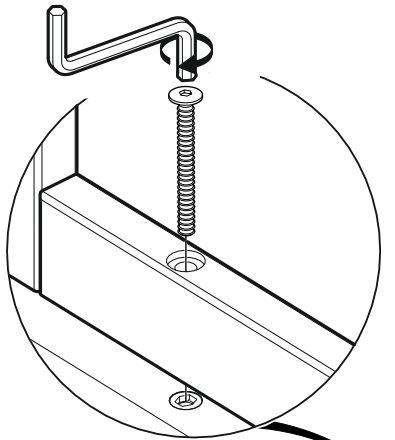


1109474

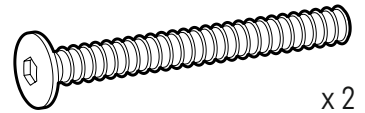


x 6

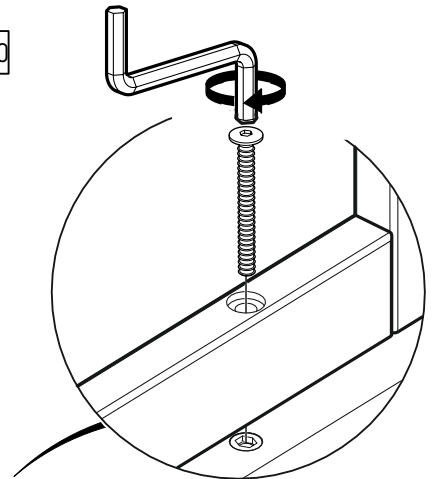
7



1005687

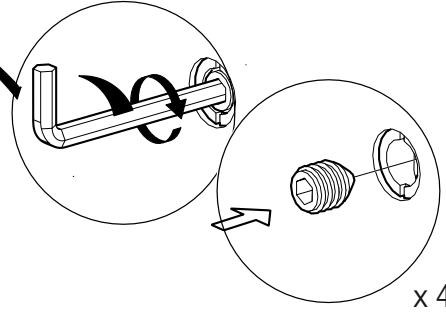
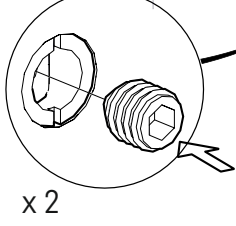
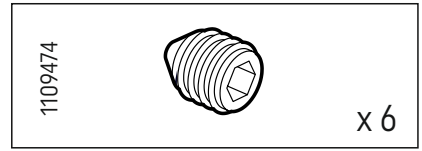
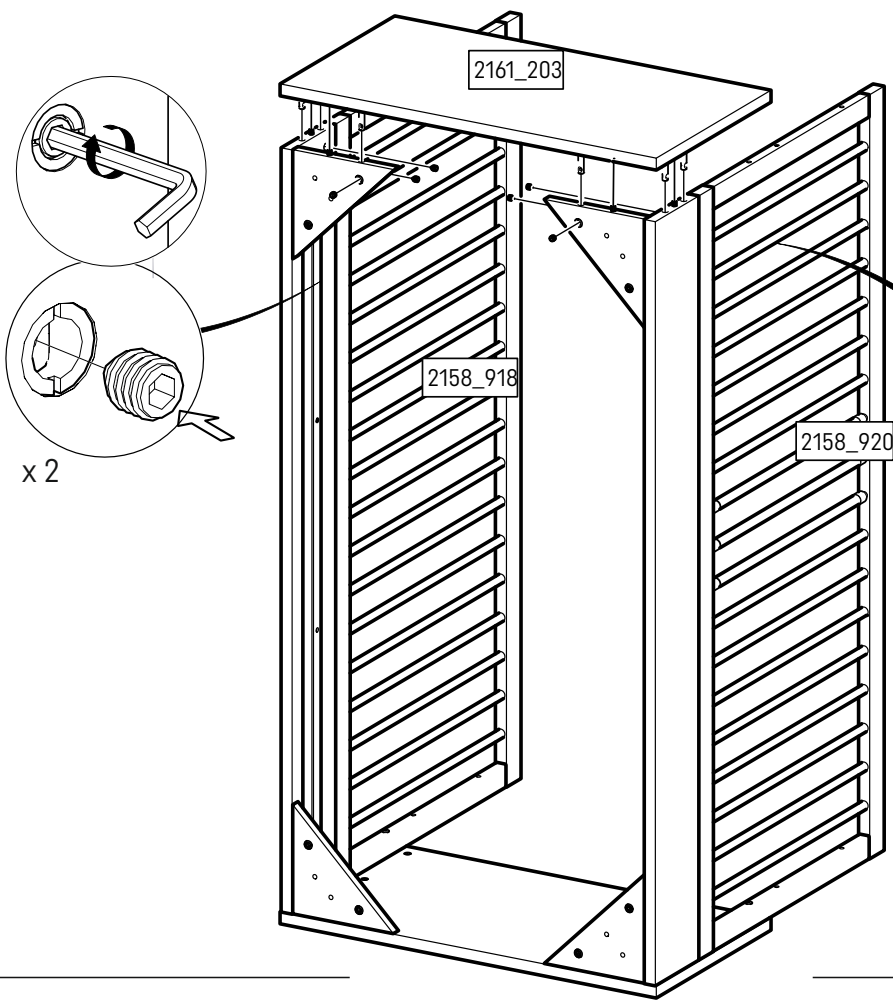


x 2

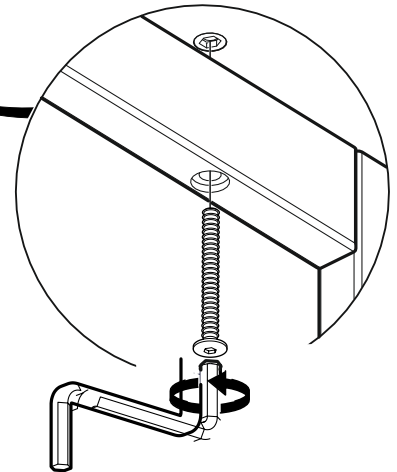
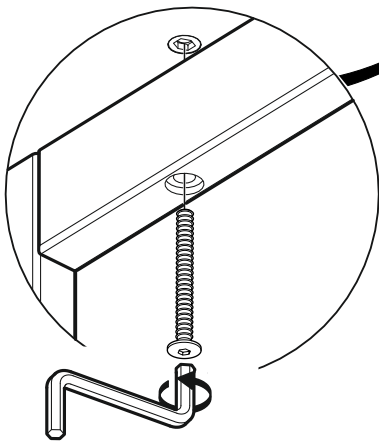
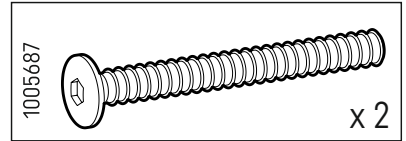
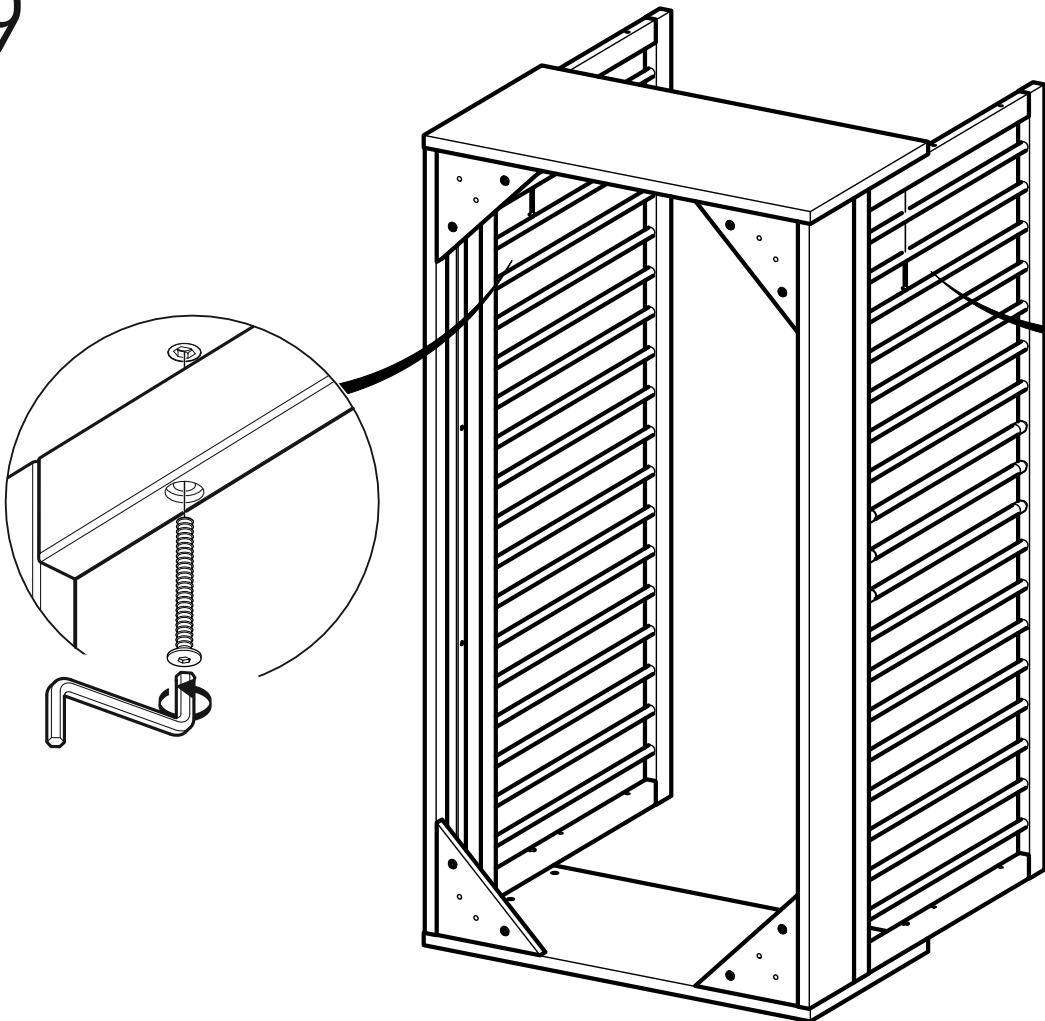


4

8



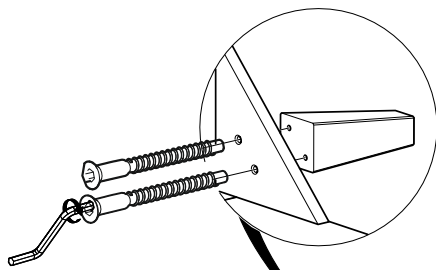
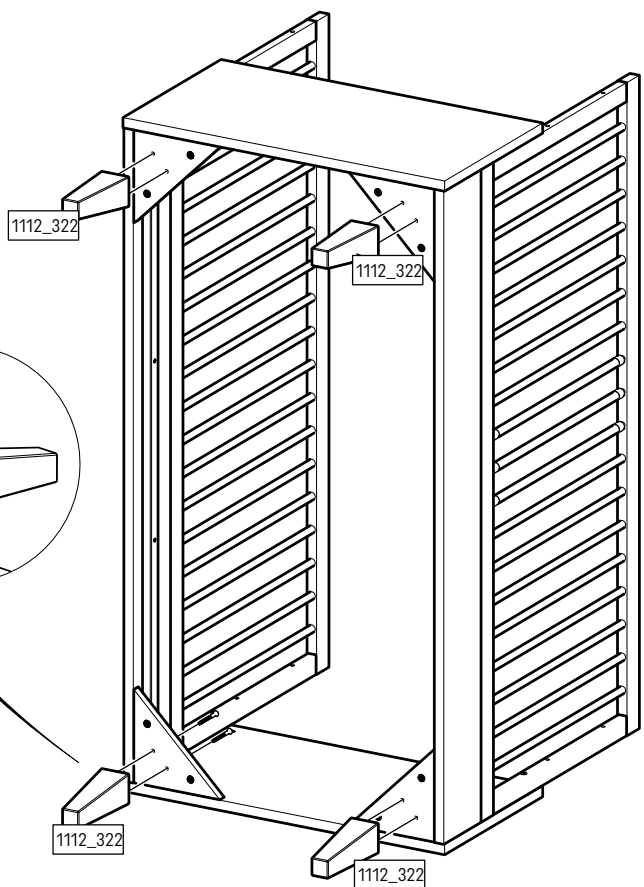
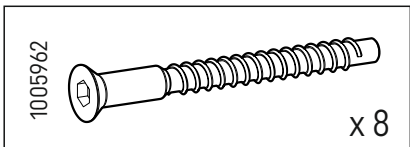
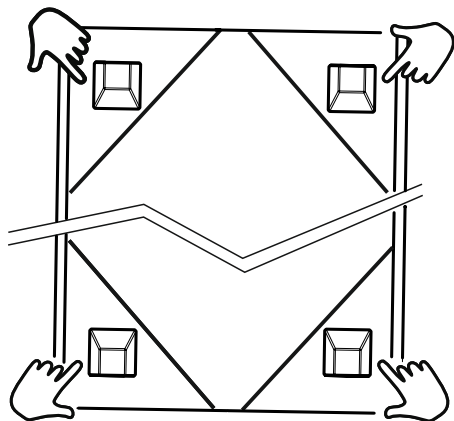
9



5

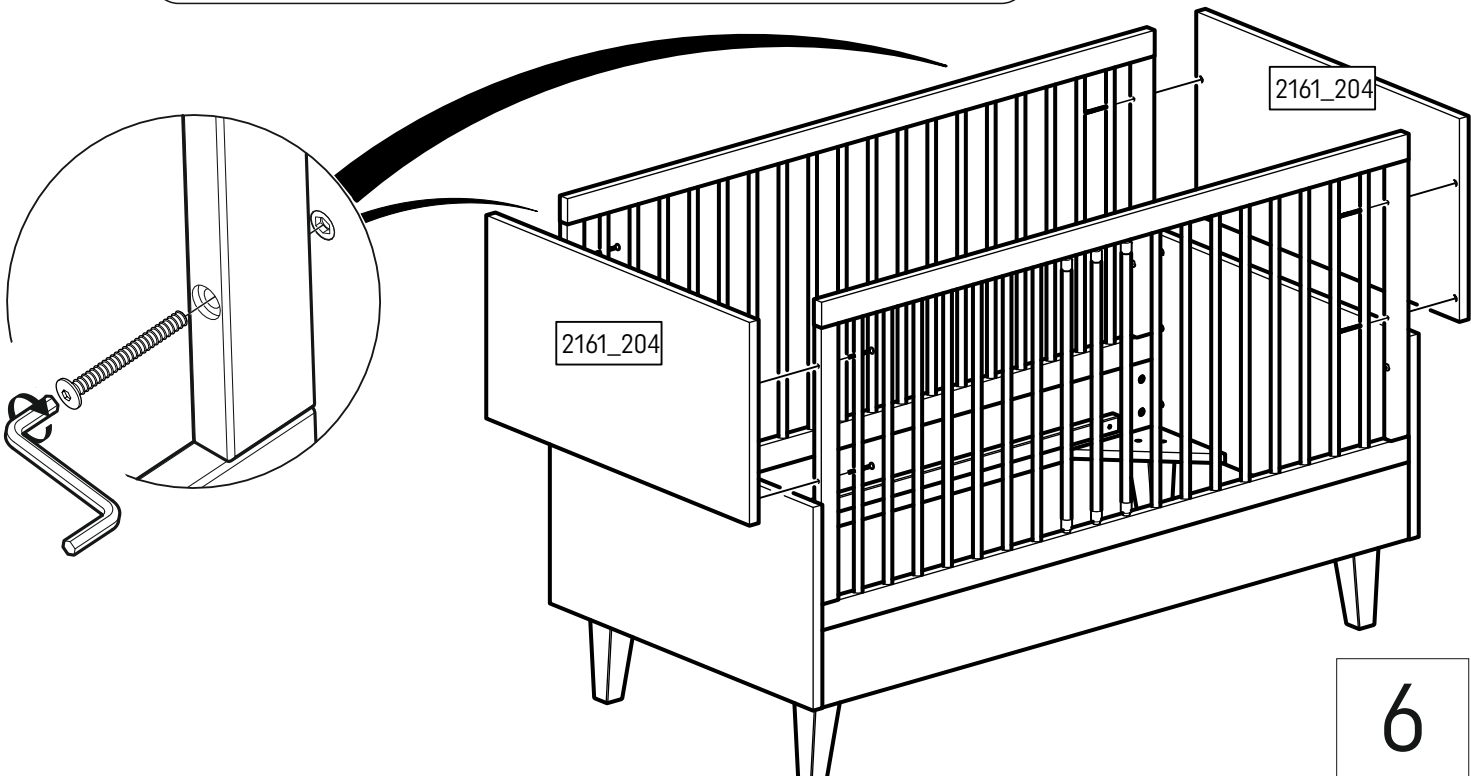
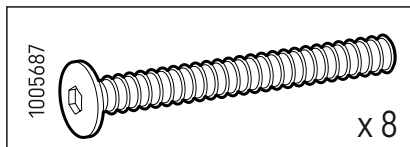
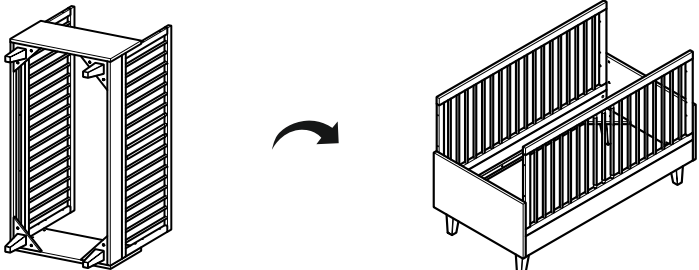
10

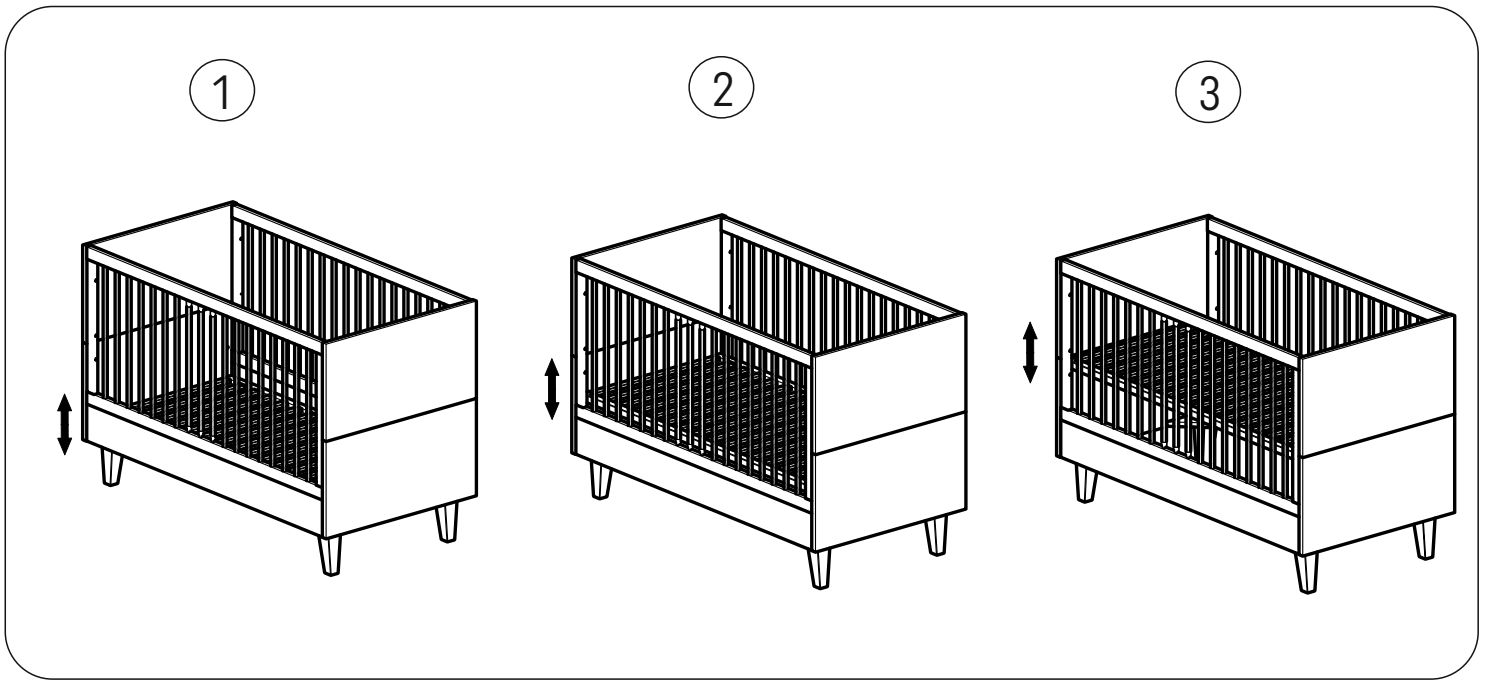
i



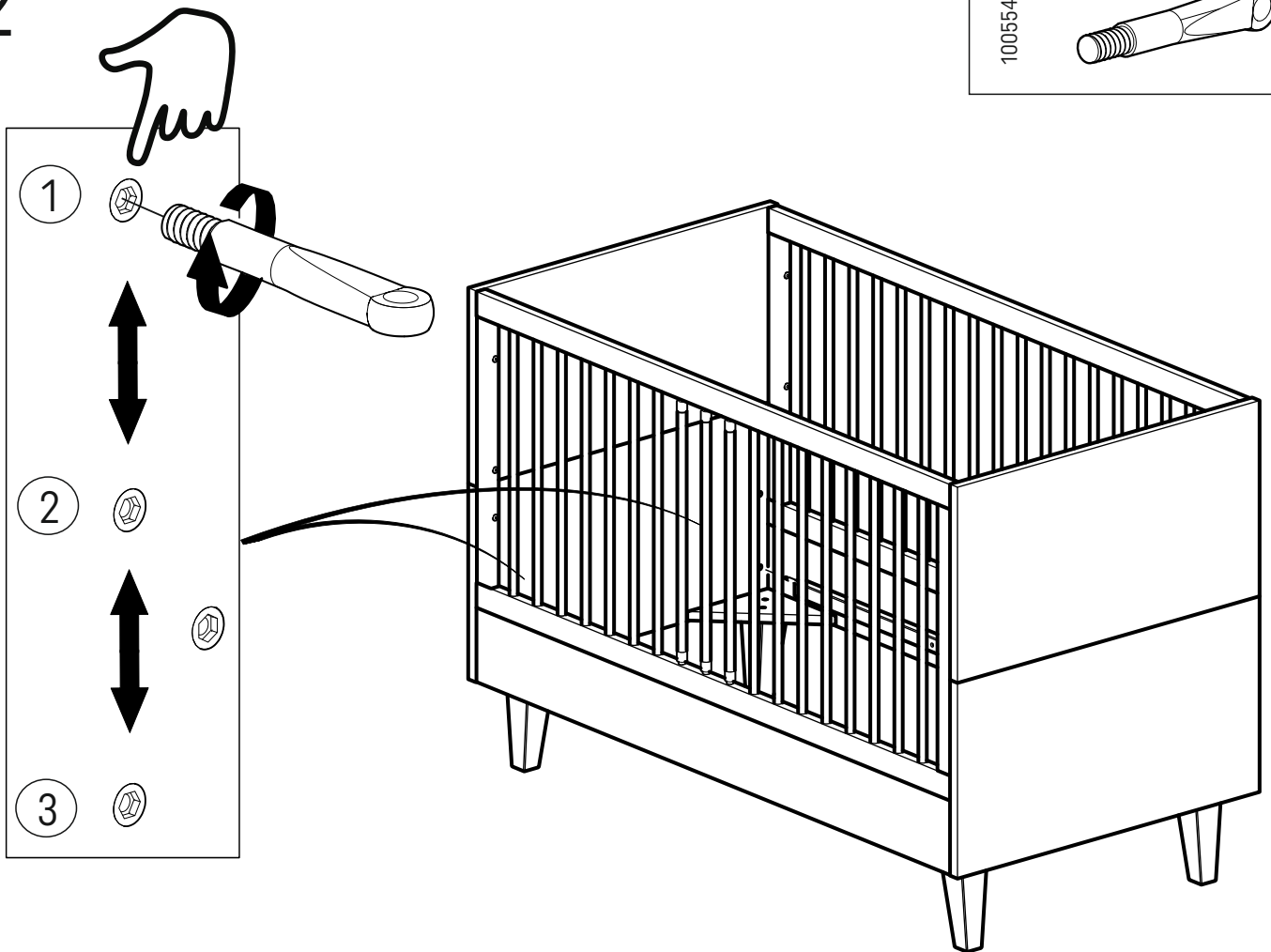
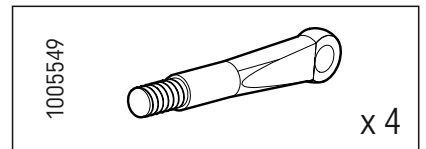
11

i

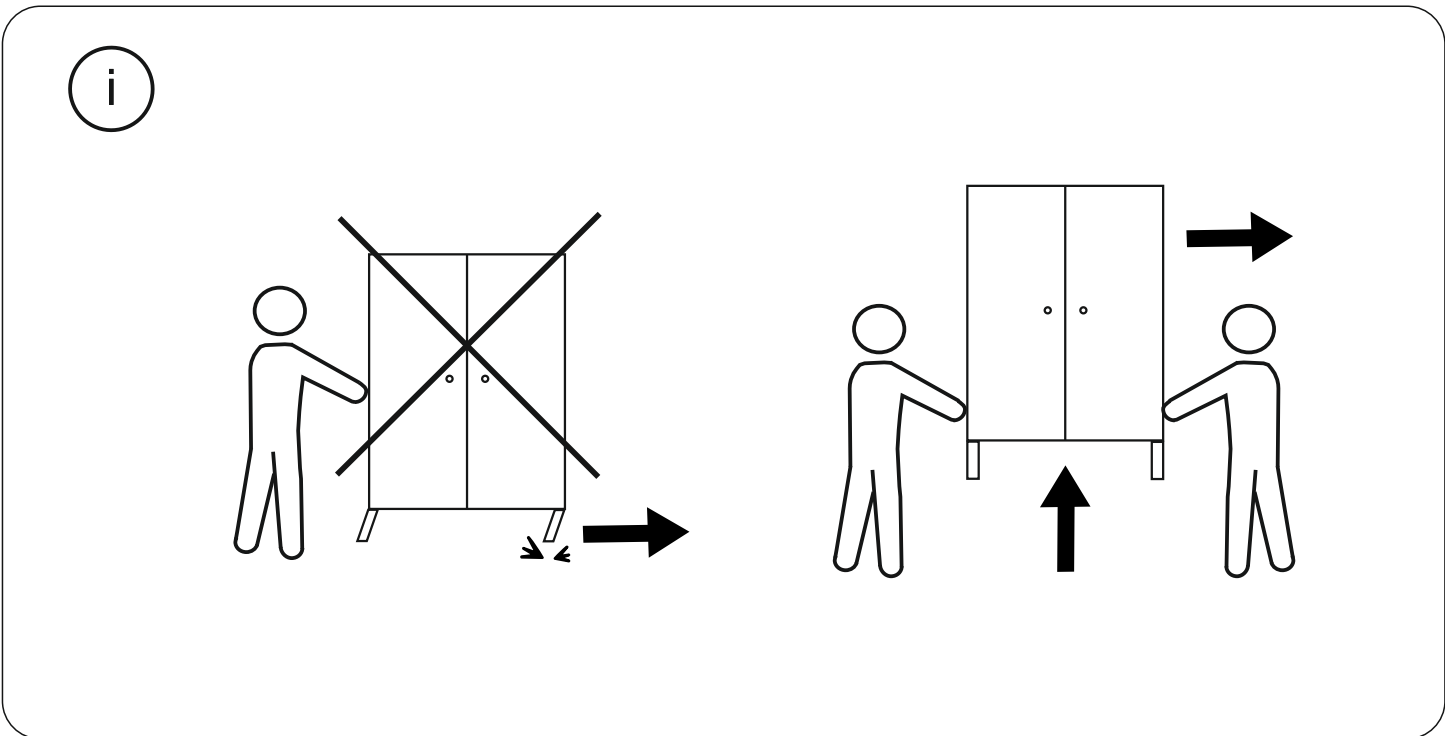
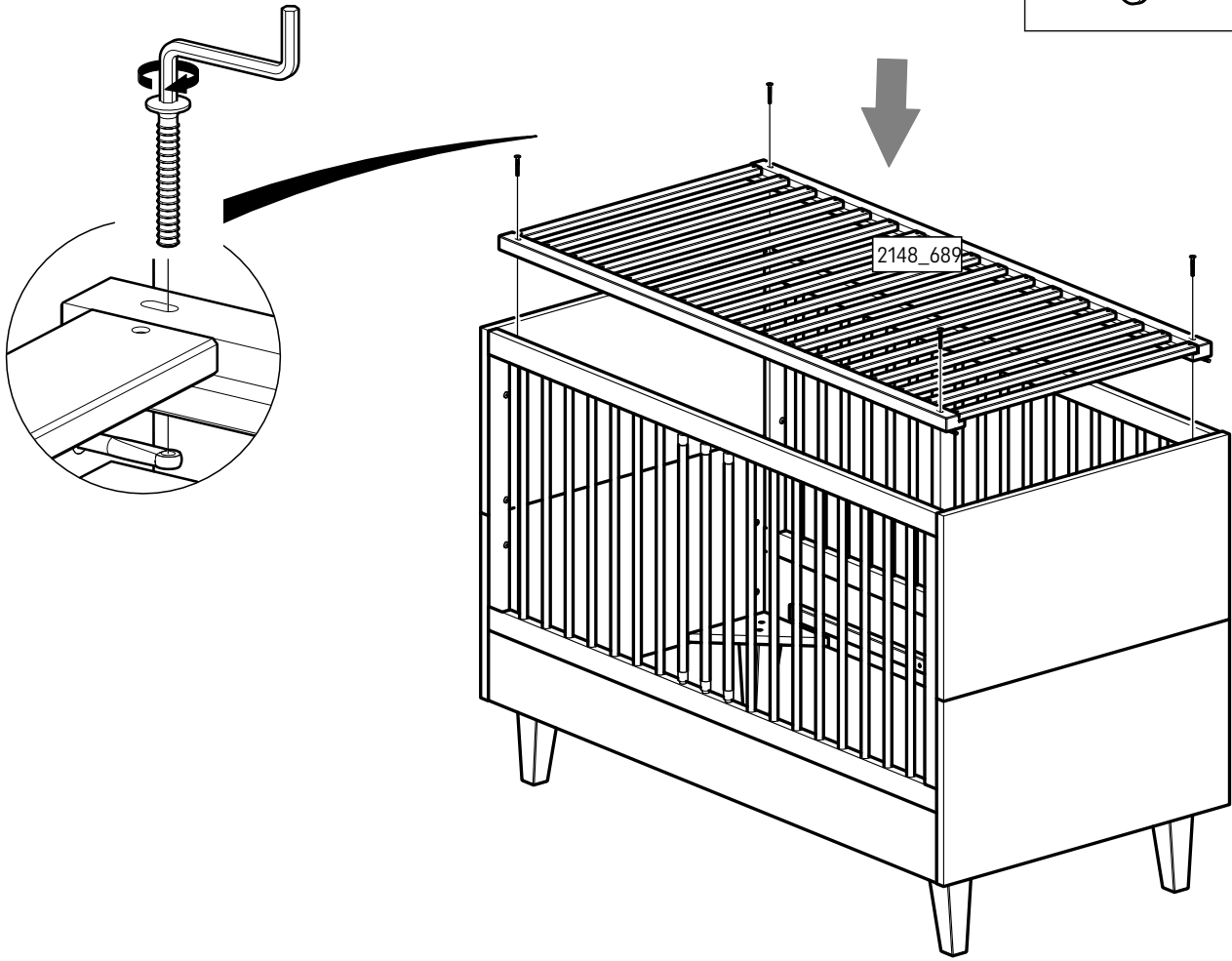
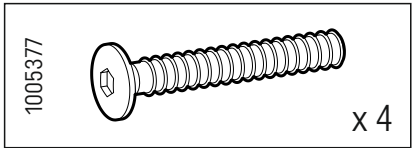




12

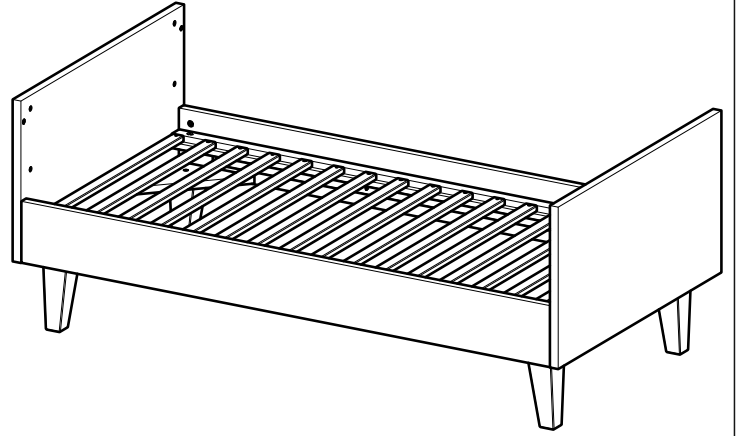
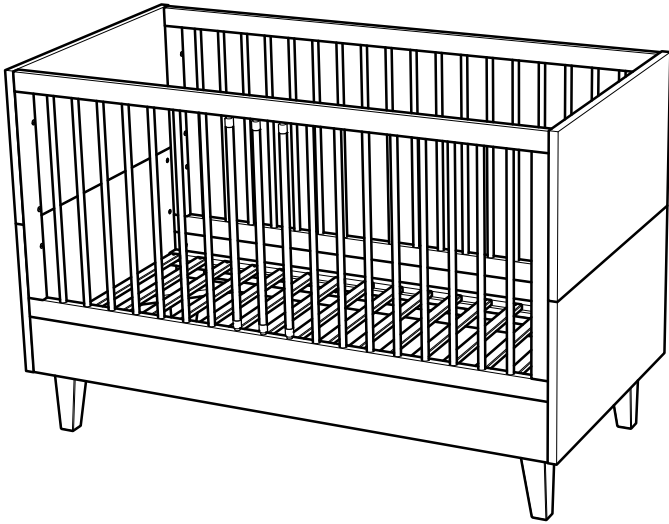


13



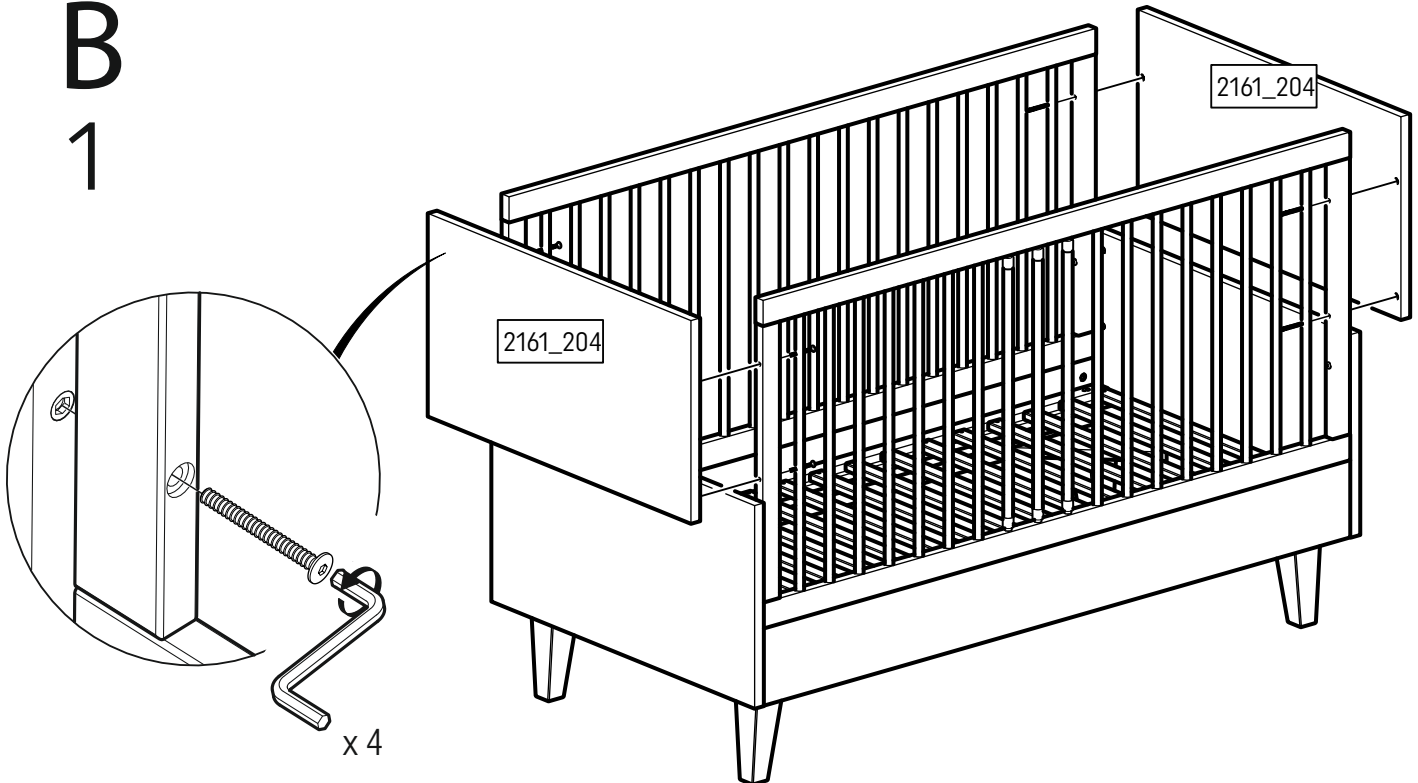
A

B

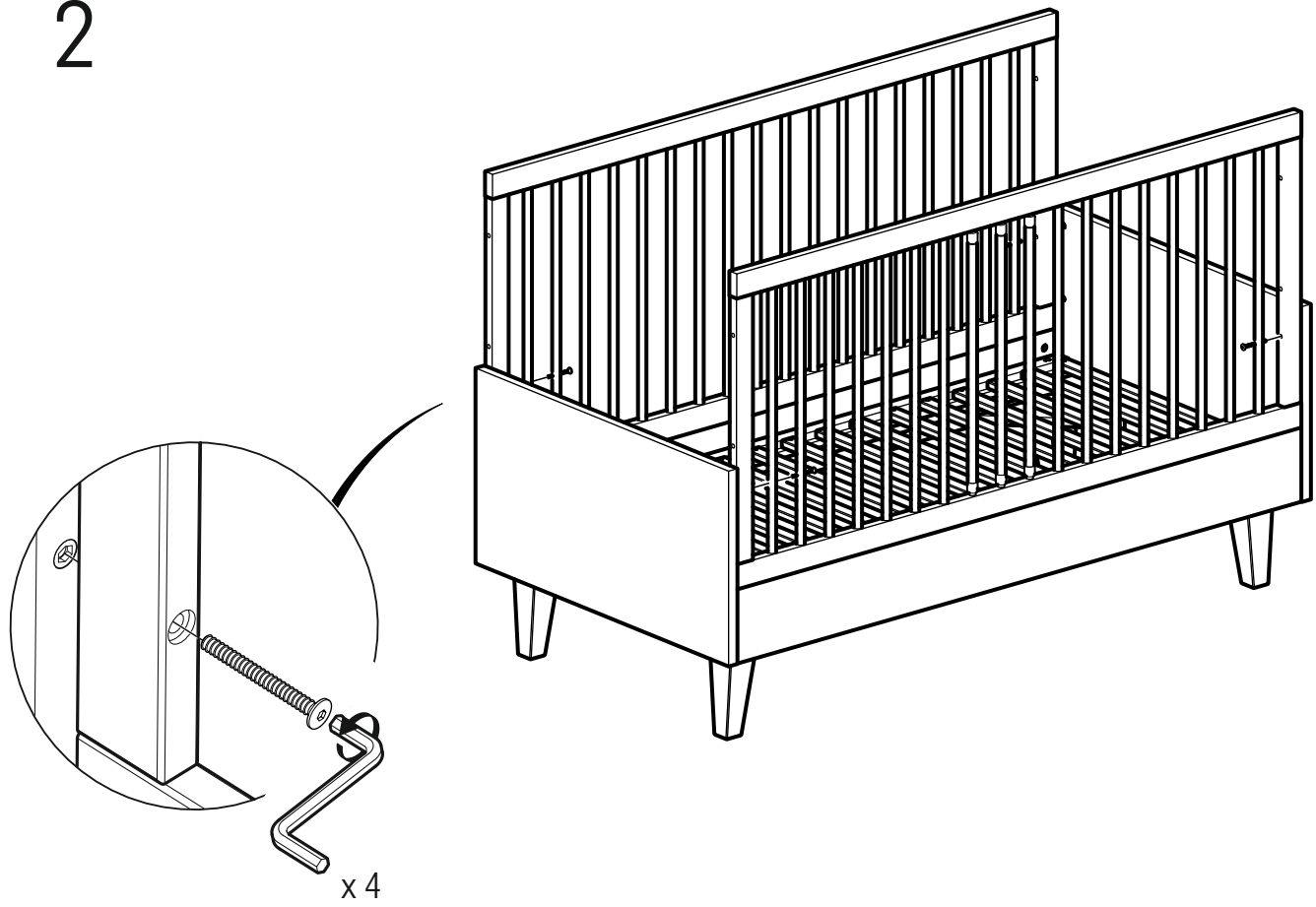


B

1



B
2



3

