

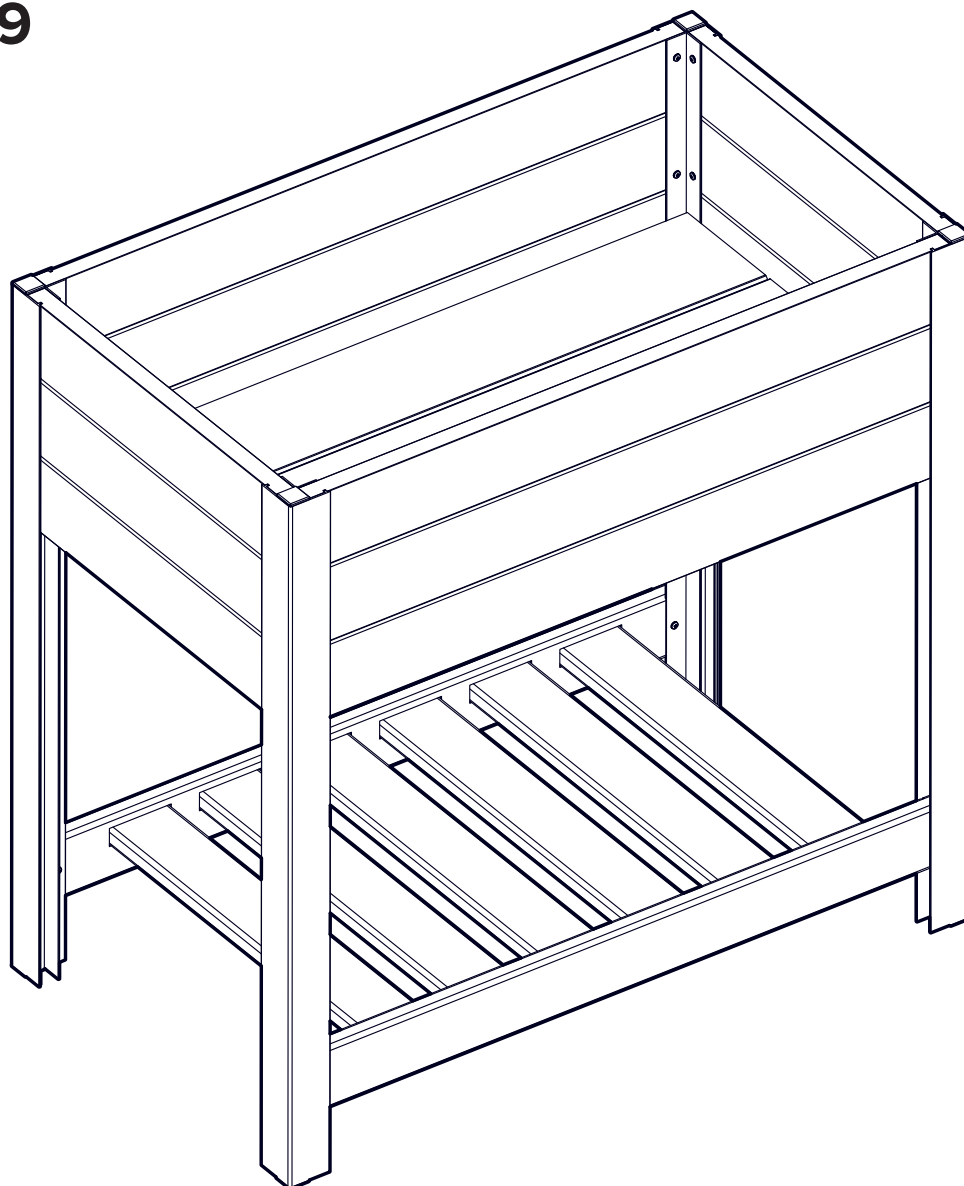


ASSEMBLY GUIDE  
GUIDE DE MONTAGE  
GUÍA DE MONTAJE

# CLASSIC ELEVATED PLANTER JARDINIÈRE SURÉLEVÉE CLASSIQUE JARDINERA CLÁSICA ELEVADA

**VA68249**

CLASSIC  
CLASSIQUE  
CLASICO



REQUIRED TOOLS AND MATERIALS (NOT INCLUDED)  
OUTILS ET MATÉRIAUX REQUIS (NON INCLUS)  
HERRAMIENTAS Y MATERIALES REQUERIDOS (NO INCLUIDOS)



[WEAREVITA.COM](https://www.wearevita.com)

Click - Cliquer - Hacer Clic  
"Chat"



[WEAREVITA.COM/SUPPORT](https://www.wearevita.com/support)



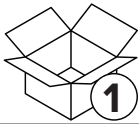
[HELLO@WEAREVITA.COM](mailto:hello@wearevita.com)



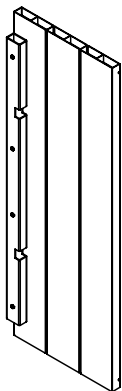
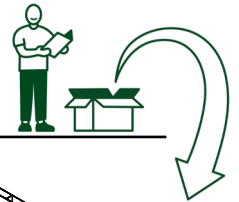
1-800-282-9346



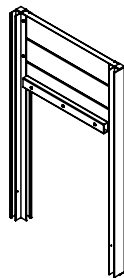
@VITAHOMEANDGARDEN



**PARTS LIST**  
**LISTE DES PIÈCES**  
**LISTADO DE PIEZAS**



1 x2



2 x2



3 x12



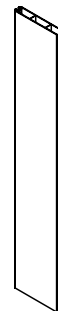
4 x2



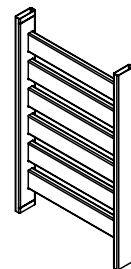
5 x1



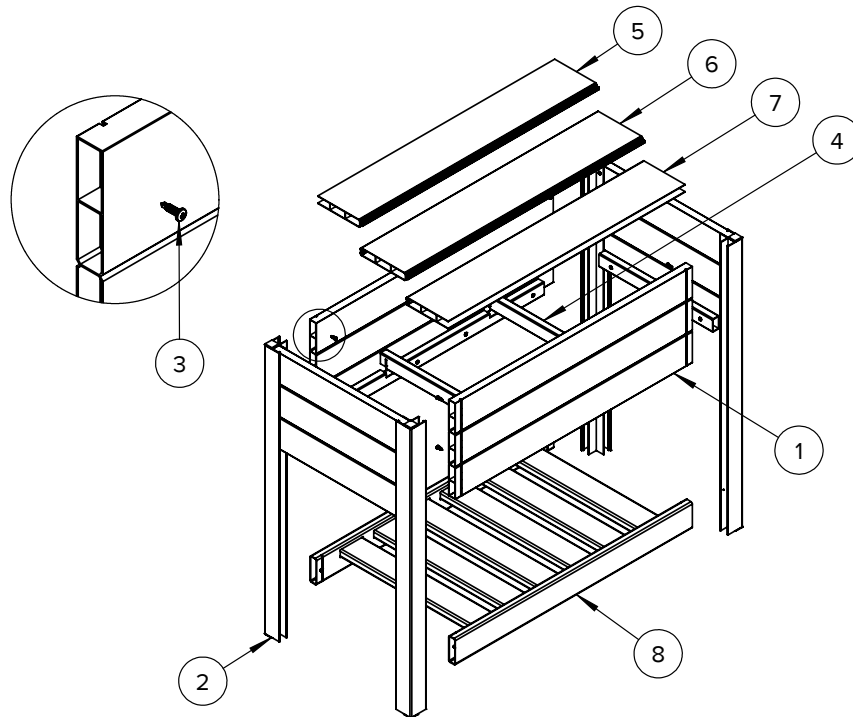
6 x1



7 x1



8 x1

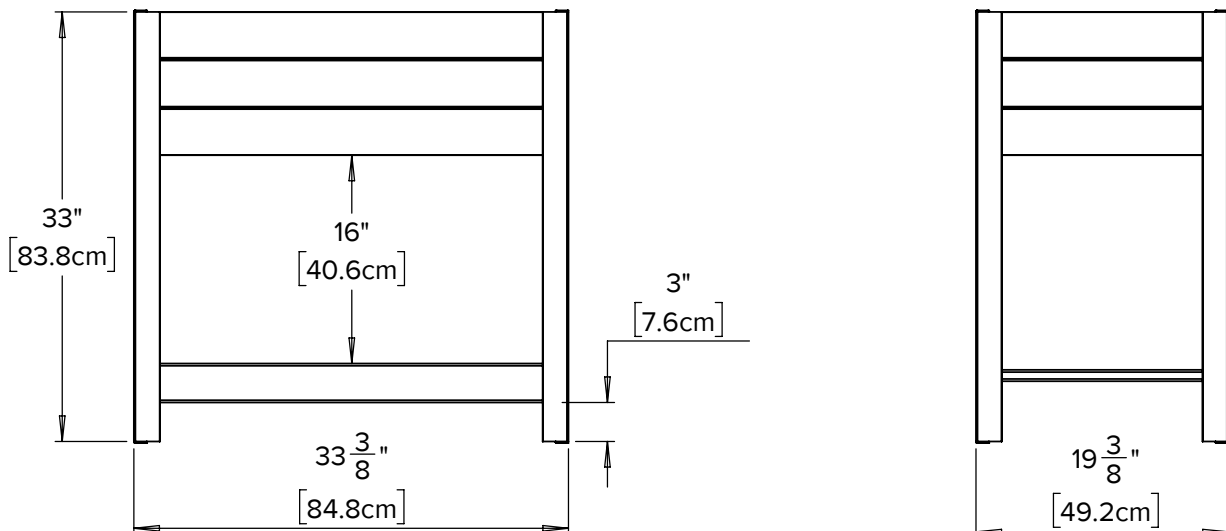


Item No.	Part Number	Description	Dimensions	Qty.
1	10349	Pre-Assembled Side Panel	31 1/4" x 11" (79.5cm x 27.9cm)	2
2	10348	Pre-assembled End Panel	33 1/4" x 19 3/8" (84.4cm x 49.2cm)	2
3	20016	Screw	#8 x 5/8" (1.6cm)	12
4	10351	Cross Brace	17 1/4" (43.9cm)	2
5	10352	Floor Board A with Groove	31 1/4" (79.5cm)	1
6	10353	Floor Board B with Tongue and Groove	31 1/4" (79.5cm)	1
7	10354	Floor Board C with Tongue	31 1/4" (79.5cm)	1
8	10350	Pre-assembled Shelf	31 1/4" x 19 1/4" (79.5cm x 48.7cm)	1

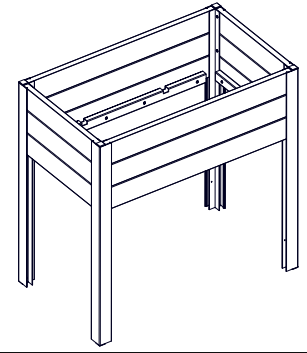
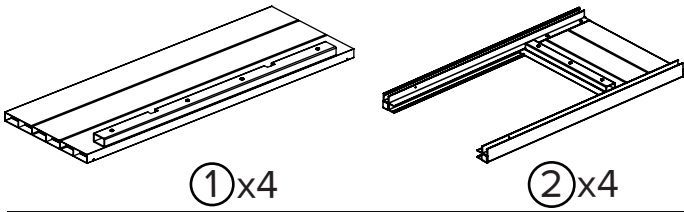
## PRODUCT DIMENSIONS

## DIMENSIONS DU PRODUIT

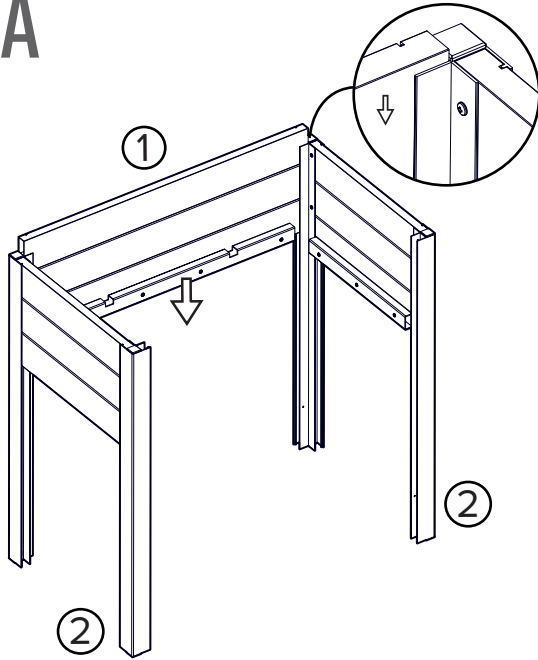
## DIMENSIONES DEL PRODUCTO



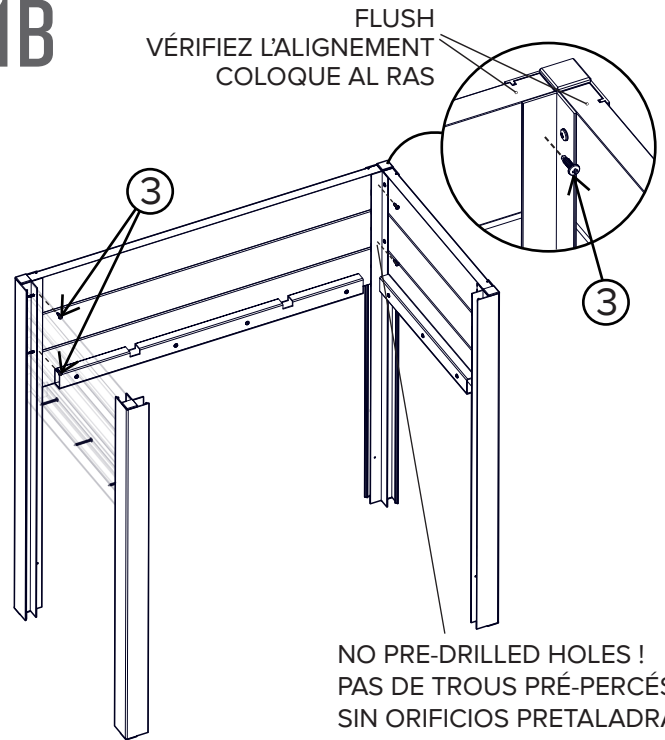
**INSTALL PRE-ASSEMBLED SIDE AND END PANELS**  
**INSTALLEZ LES PANNEAUX DE CÔTÉ ET D'EXTRÉMITÉ PRÉ-ASSEMBLÉS**  
**INSTALE LOS PANELES LATERALES Y FINALES MONTADOS PREVIAMENTE**



**IA**

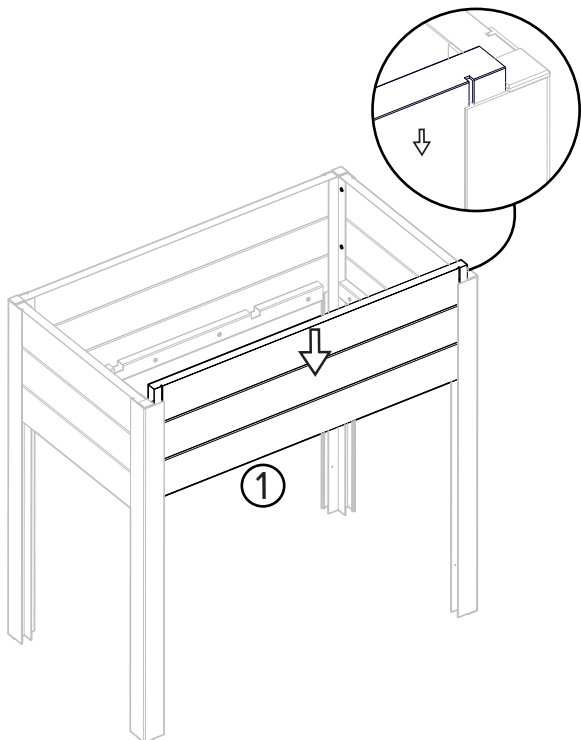


**IB**

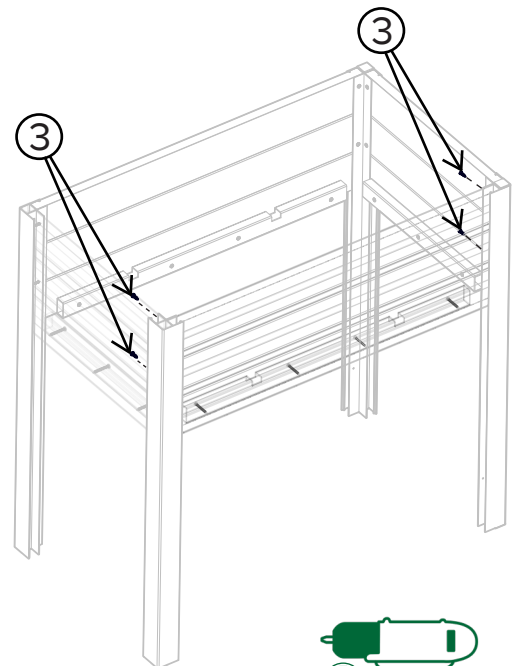


**IC**

**SECURE SECOND PRE-ASSEMBLED SIDE PANEL**  
**FIXEZ LE SECOND PANNEAU LATÉRAL PRÉ-ASSEMBLÉ**  
**FIJE EL SEGUNDO PANEL LATERAL MONTADO PREVIAMENTE**

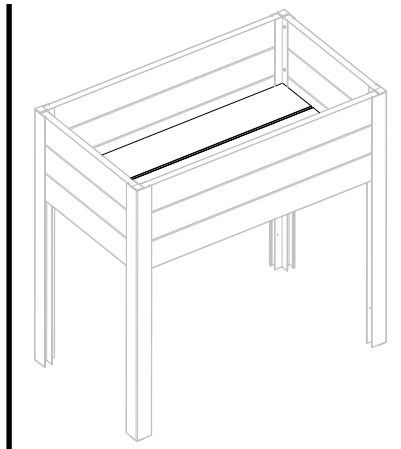
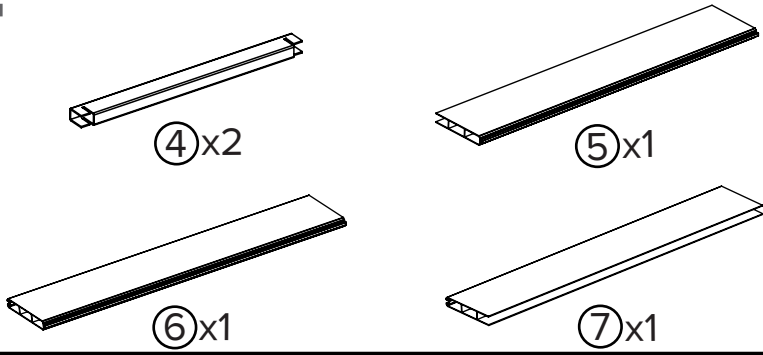


**ID**

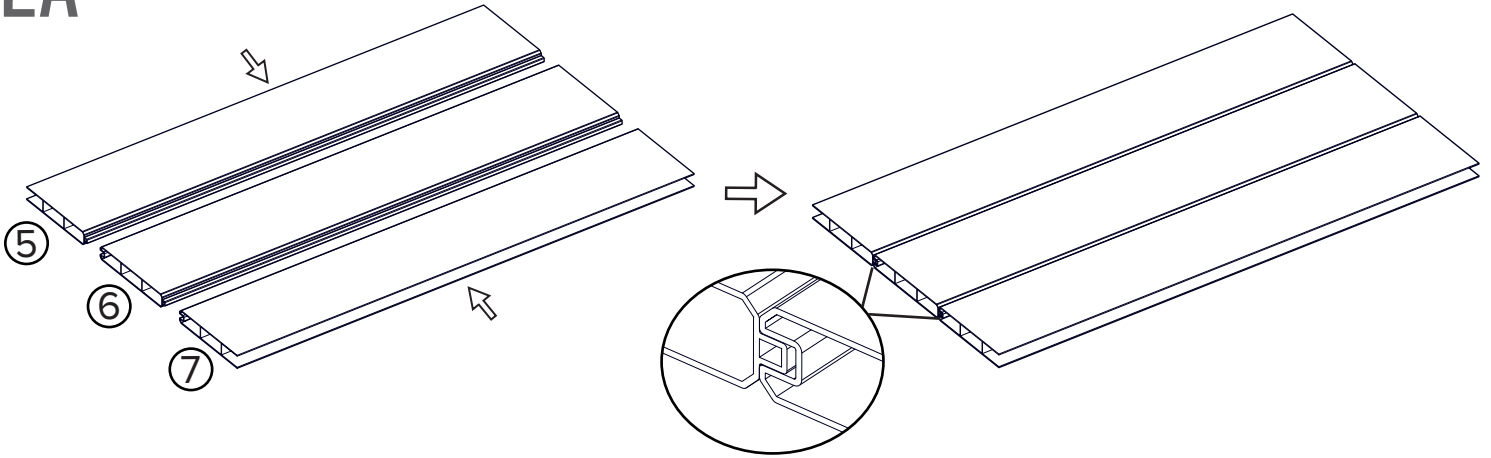


# 2

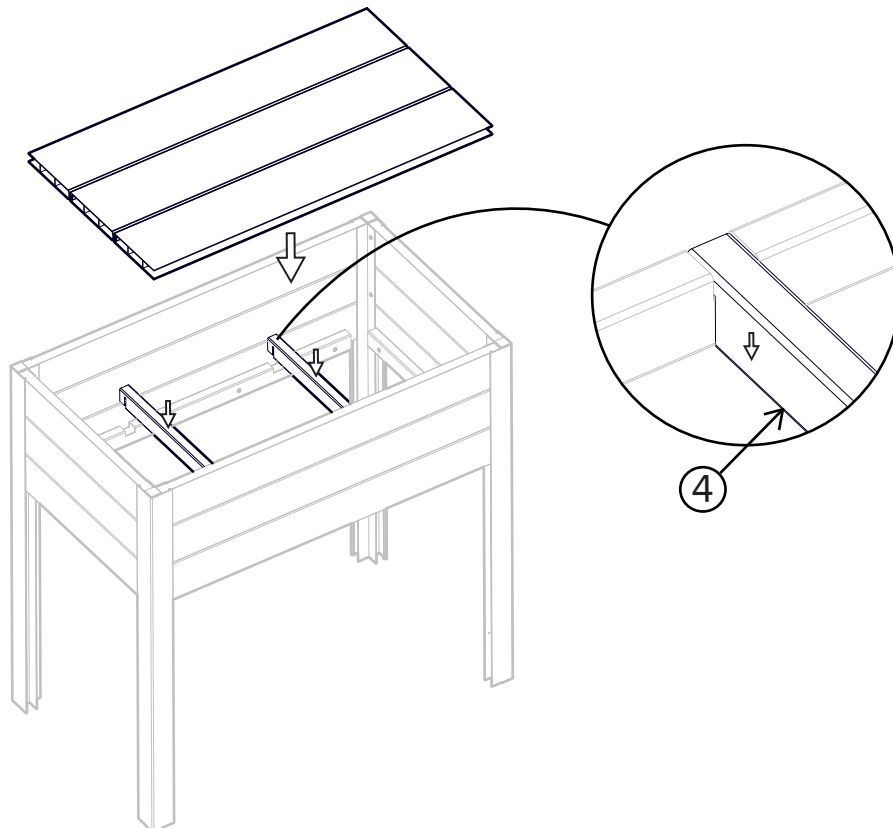
INSTALL CROSS BRACES AND FLOORBOARDS  
INSTALLEZ LES RENFORTS DE SOCLE ET LES LAMES DE PLANCHER  
INSTALE LOS TIRANTES TRANSVERSALES Y LAS TABLAS DE LA BASE



## 2A

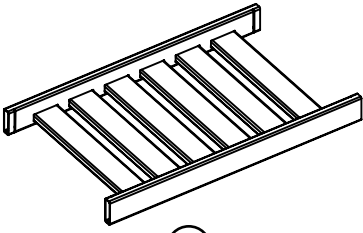


## 2B



# 3

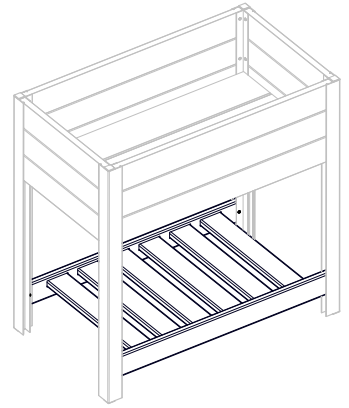
INSTALL PRE-ASSEMBLED SHELF  
INSTALLEZ LA PLANCHE PRÉ-ASSEMBLÉE  
INSTALE EL ESTANTE MONTADO PREVIAMENTE



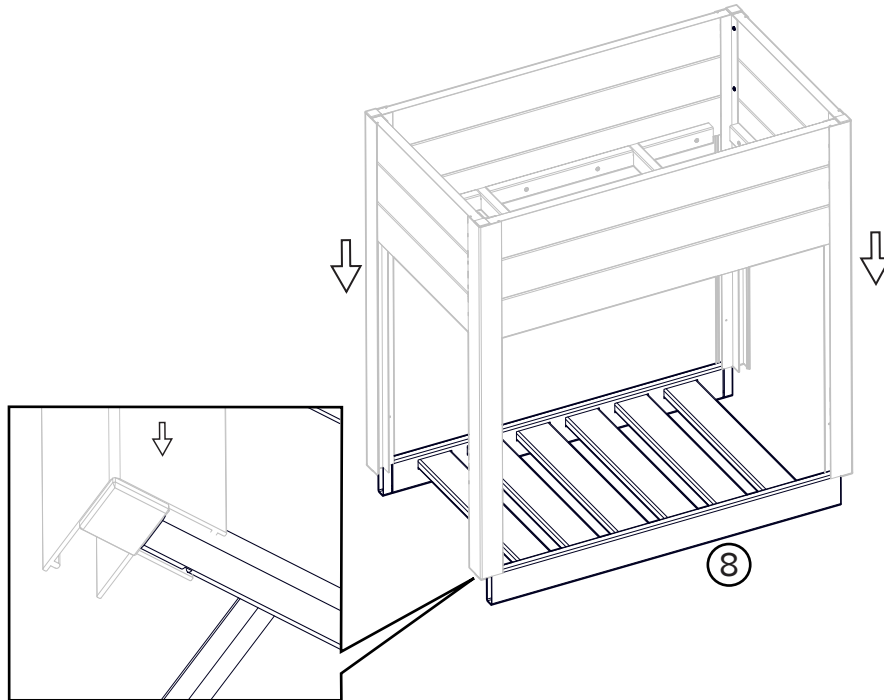
⑧x1



③x4



## 3A



## 3B

