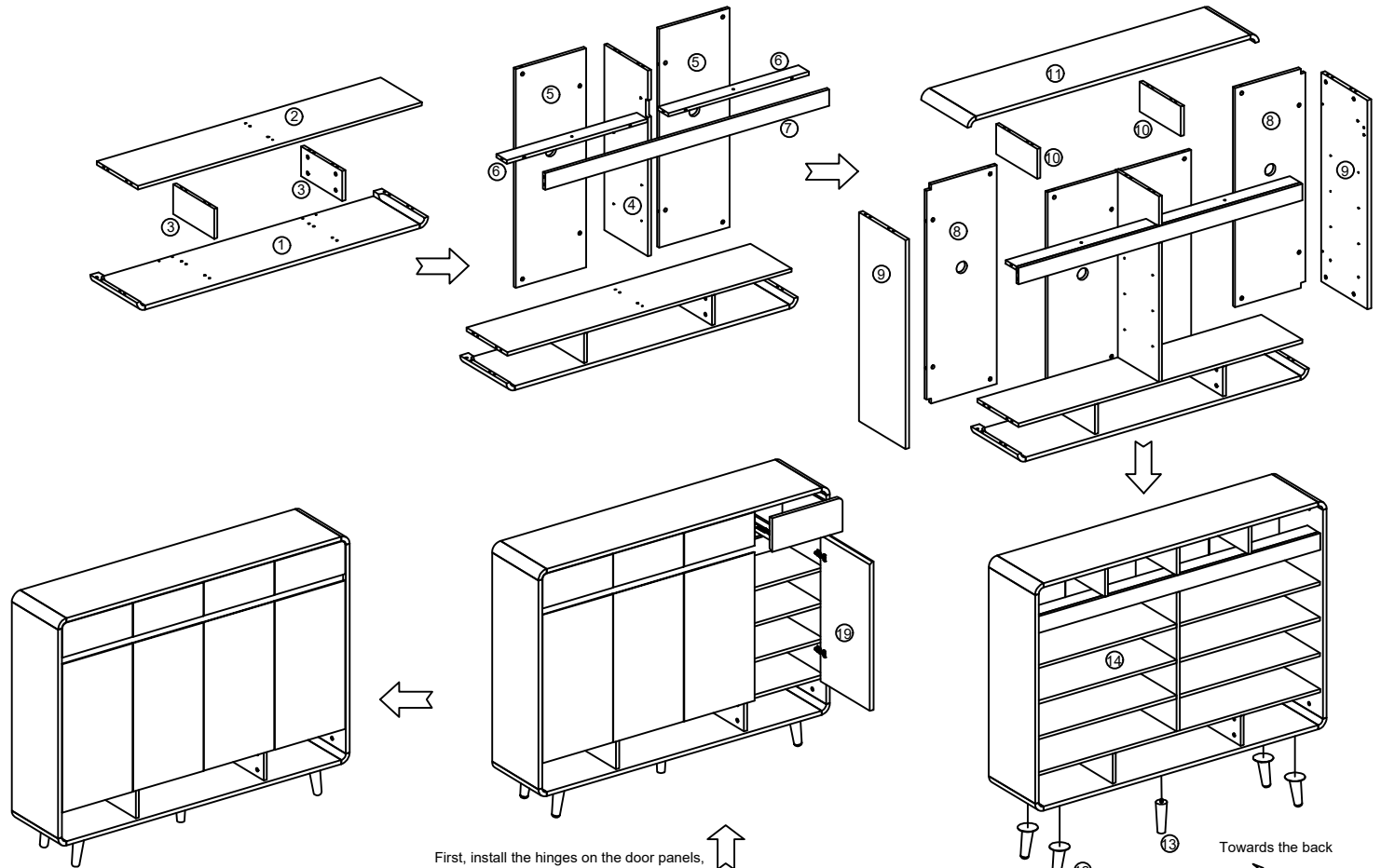


# XG04# Shoe Cabinet

## Hardware Accessories

No.	Spec & Name	Icon	Qty	Unit
A	3-in-1 Connecting Rod		72	pcs
B	3-in-1 Lock Shaft		72	pcs
C	Ø8*40 Wood Screw		36	pcs
D	Tapping Screw M3.5*14		140	pcs
E	Tapping Screw M3.5*30		20	pcs
F	Connecting Plate 50*28		2	pcs
G	Vent Cover Ø60*15		4	pcs
H	Layer Board Support Ø5		24	pcs
I	Large Angle Hinge		4	pcs
J	Medium Angle Hinge		4	pcs
K	Ø20 Foot Mat		5	pcs
L	Connecting Screw		2	pcs
M	12-inch Slide Rail		4	pcs

No.	Part Name	Qty
1	Base Plate	1
2	Lower Middle Side Panel	2
3	Lower Layer Panel	1
4	Upper Middle Side Panel	1
5	Middle Back Panel	2
6	Inner Stretcher	2
7	Front Stretcher	1
8	Side Back Panel	2
9	Outer Side Panel	2
10	Upper & Lower Middle Side Pane	2
11	Top Panel	1
12	Side Foot	4
13	Middle Foot	1
14	Movable Layer Board	6
15	Drawer Front Panel	4
16	Drawer Side Panel	8
17	Drawer Bottom Panel	4
18	Drawer Back Panel	4
19	Cabinet Door Panel	4

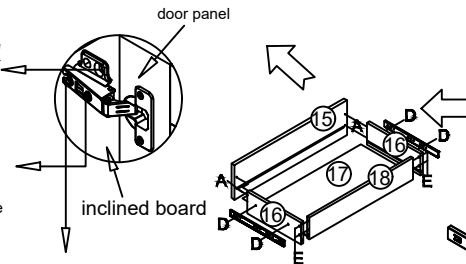
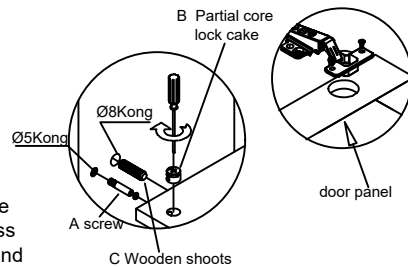


First, install the hinges on the door panels, then lay the door panels flat and install them by aligning with the holes on the side panels.

- When installing the side panels, install this hole first to facilitate the adjustment of the upper and lower gaps. After ensuring the gaps between the upper and lower door panels are uniform, lock and fix them with other screws.

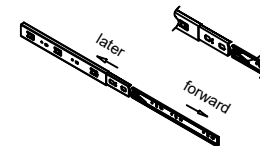
- After making the gaps between the upper and lower door panels even, adjust this screw to even the gaps between the left and right door panels.

- Loosening or tightening this screw can slightly adjust the position of the inner and outer door panels. If the door panels are too protruding, repeat the first step to move the entire door hinges inward for installation.



When installing, install this long hole first. After installing the drawer, it is convenient to adjust the upper and lower gaps. (Move up to adjust the lower edge gap.)

Note: The installation of the slide rail has a front and back side.



## 3-in-1 Assembly Instructions

- The hole diameter on the side panel is Ø5; insert the screw rod directly into this hole.
- Insert the other end of the screw rod into the side hole of the other connecting plate, press the eccentric lock plate into the Ø15 hole, and ensure the cross arrow aligns with the side hole.
- Tighten the eccentric lock plate clockwise with a Phillips screwdriver.