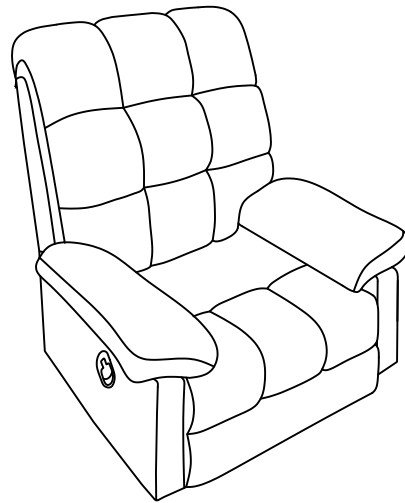


# ASSEMBLY INSTRUCTION

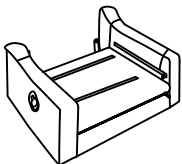
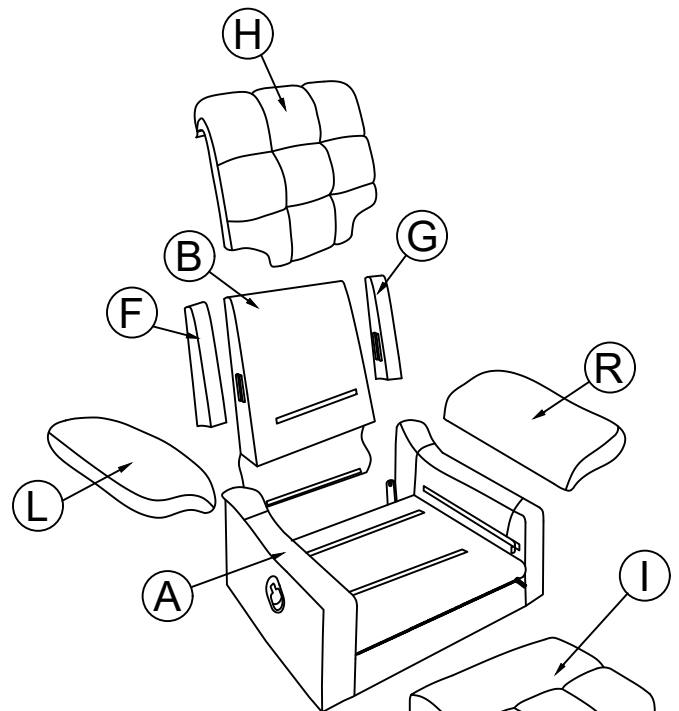
ITEM NO.:D8710(11-12)-Chair



## Product Diagram

### Parts

- A. Pedestal
- B. Backrest
- L. Armrest bag (left)
- R. Armrest bag (right)
- F. Back frame (left)
- G. Back frame (right)
- H. Cushion (back)
- I. Cushion (seat)



A\*1



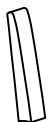
B\*1



L\*1



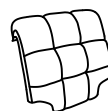
R\*1



F\*1



G\*1

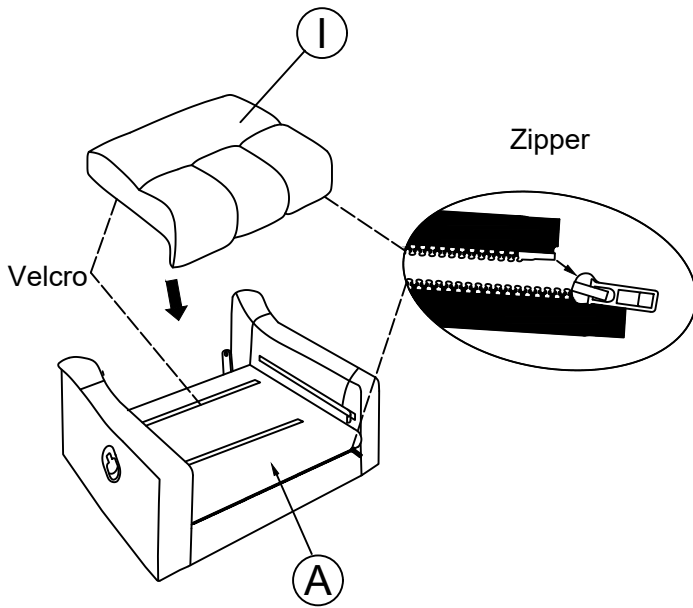


H\*1

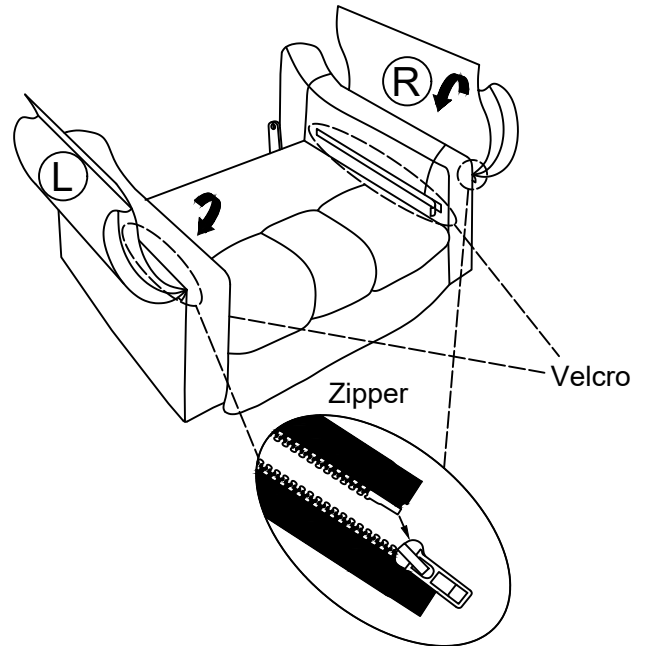


I\*1

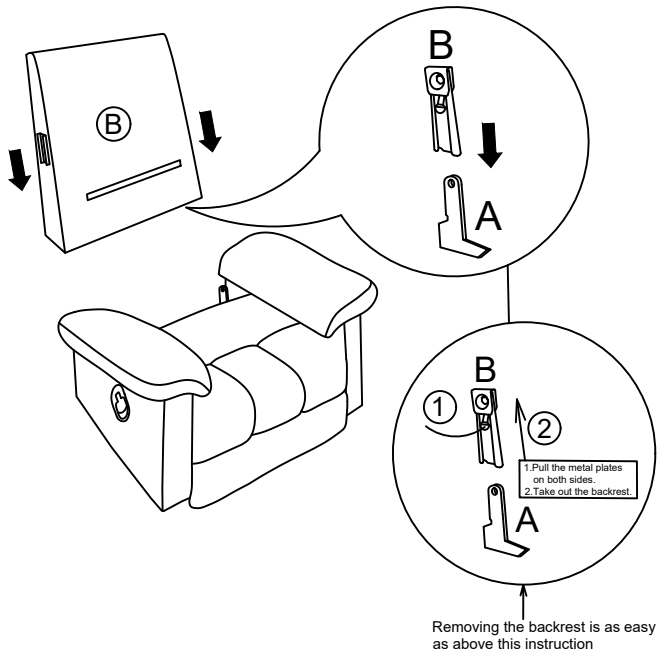
### STEP 1:



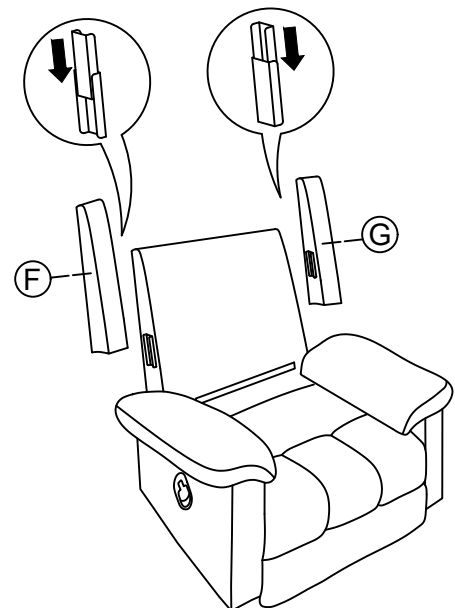
### STEP 2:



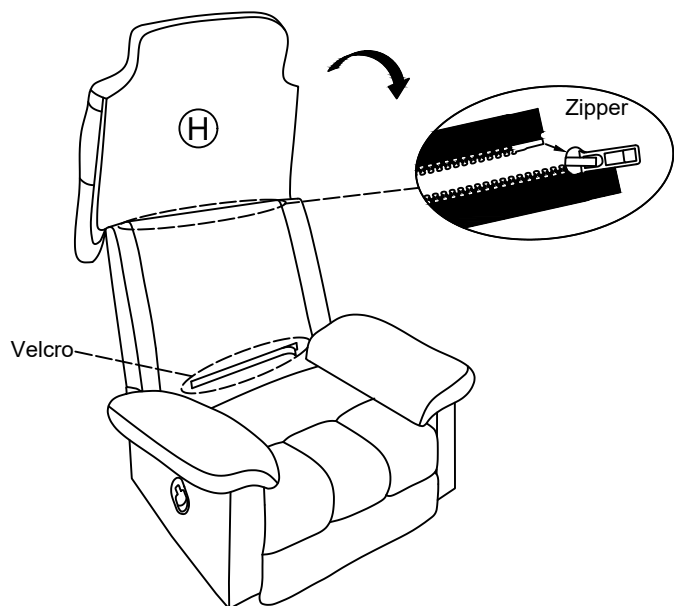
### STEP 3:



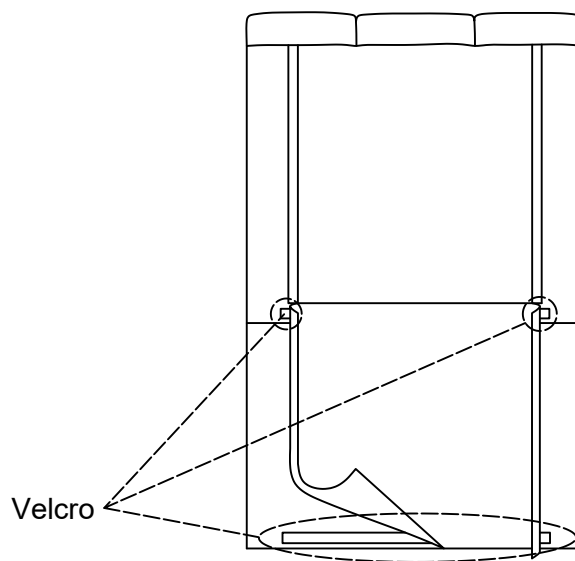
### STEP 4:



STEP 5:



STEP 6:



STEP 7:

