

TV Media Console

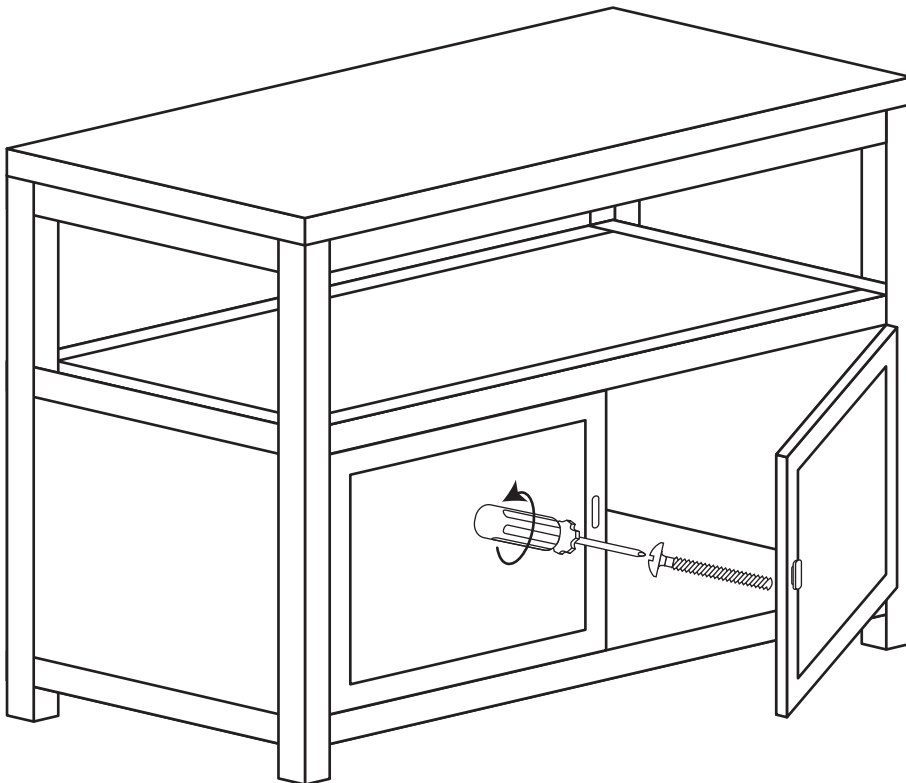
Congratulations on the purchase of your Entertainment Console. It has been crafted to the highest standards of quality and safety and will give you many years of enjoyment and practical use.

Since this is a natural wood product, there will be variations in color and grain and minor checking may occur. This is normal and does not compromise the integrity of your console. In fact, variation in character of solid hardwood is integral to the beauty and appeal of hardwood furniture, and distinguishes it from prefabricated, synthetic and composite materials.

On this insert you will find a list of the hardware and parts included as well as detailed assembly instructions. Assembly is quite simple and requires only a Phillips head screwdriver. Assembly will be most easily accomplished if you take the time to carefully sort the hardware and familiarize yourself with the function of each piece.

If you need assistance with assembly, part replacement or any other matter, please contact the toll-free Customer Service Team. You may also email your request or comments and a customer service representative will respond.

Thank you and Enjoy



HARDWARE LIST

2 **Antique drawer knobs**

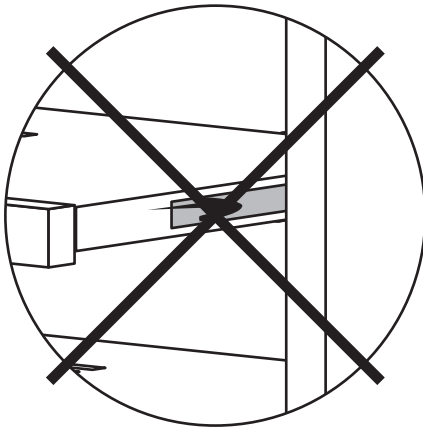
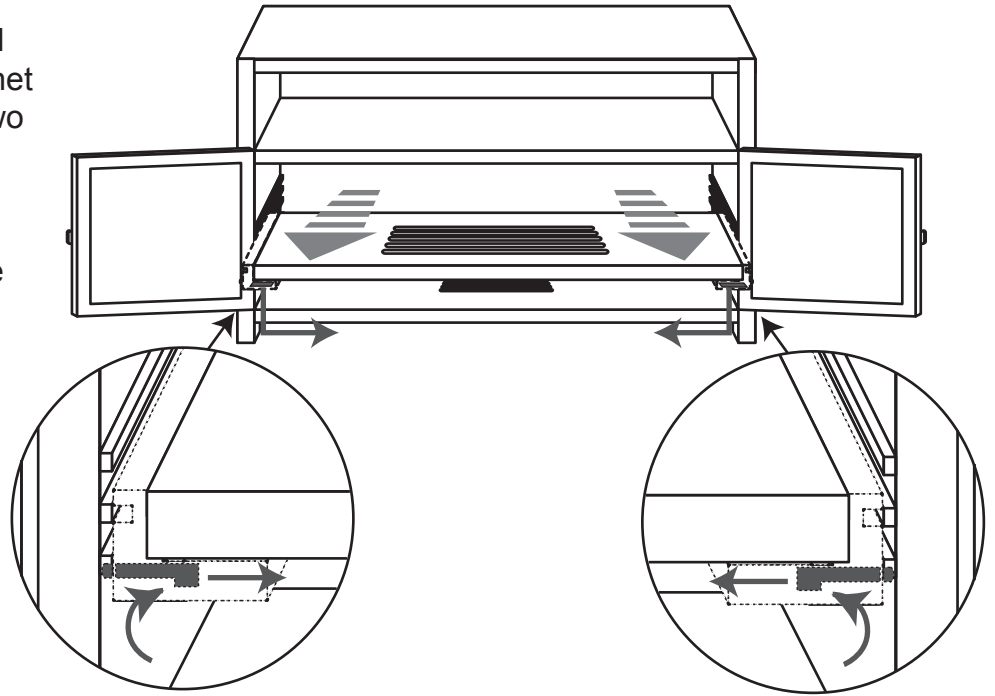


NOTE: DO NOT SPIN KNOB ON EXTERIOR DRAWER SURFACE. IT WILL SCRATCH THE FINISH.

Drawer handles are pre-installed "inside out" for protection in shipping.

Use a screwdriver to remove and install the door knobs. Do not use your hands to avoid scratching the finish.

To remove the adjustable shelf and move it up or down, open the cabinet doors fully as shown. Locate the two retractable tabs and depress them toward the center of the cabinet. While holding the tabs retracted, slide out the assembly. Choose the slot that you wish to use and insert the assembly into the slot in the same manner as removal while holding the tabs retracted.



Do not use the plastic tabs located on the side of the shelf to remove or relocate the shelf. Instead, use the tabs underneath the shelf as shown above.

This Entertainment Console comes with a temperature regulation system (TRS) designed to keep your electronics cool, thereby extending their lifetimes. To use the TRS, simply put the cord through the cable grommet and plug it in. Check that the tip of the heat sensor is properly located at the top of the cabinet door on the inside surface. As your electronics heat up, the cooling fan will turn on when it senses a temperature of 95 F (35 C) or higher. The fan will automatically turn off when the temperature reduces.

