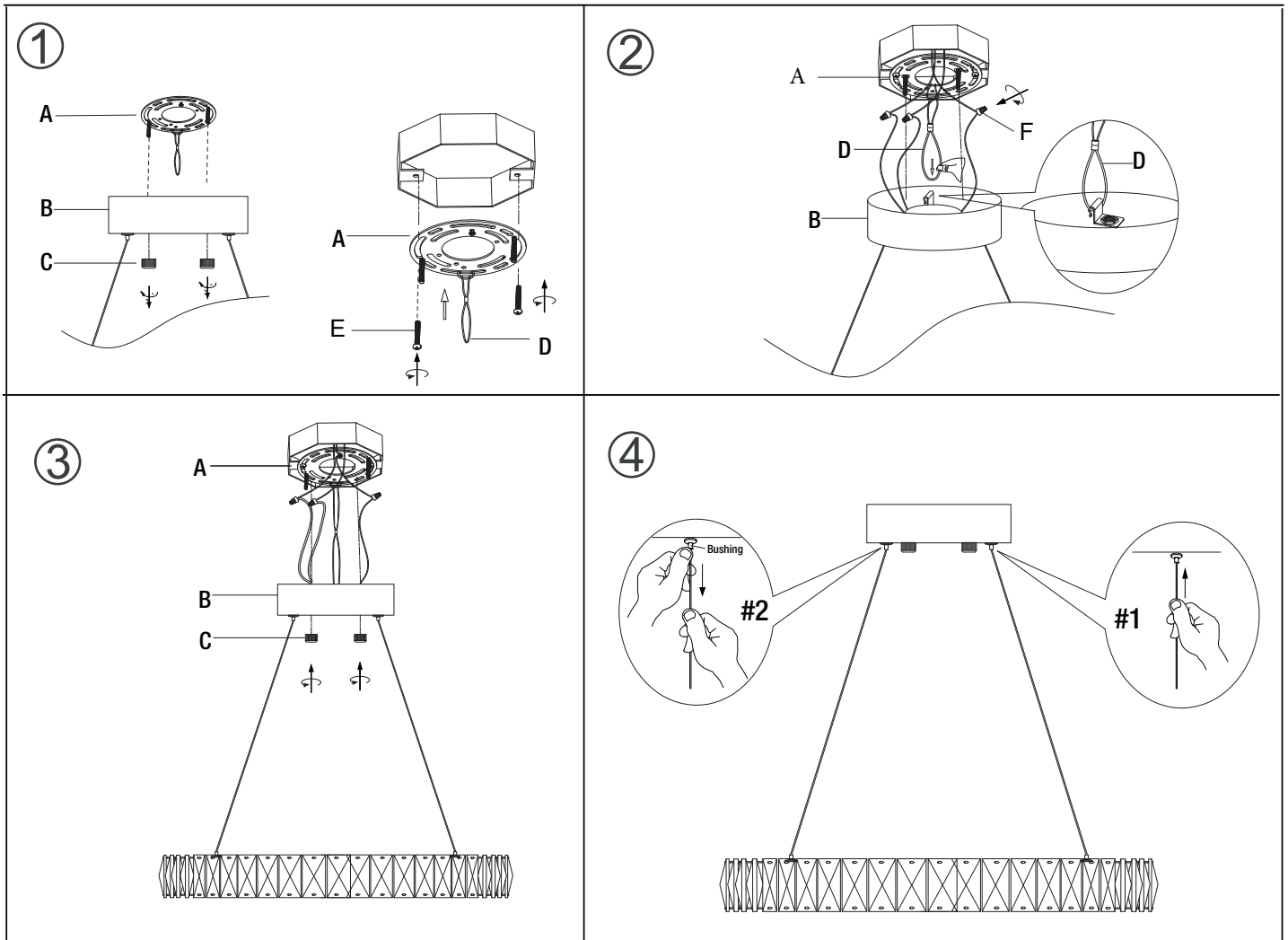


Assembly Instruction

LT2420748



1. Carefully remove all parts from the box and remove all plastic covering.
2. Turn OFF power to the junction box, when the Pendant lamp will be installed.
3. Unscrew the preassembled canopy nuts (C) from the fixture assembly (B) and detach the mounting bracket (A). Install the mounting bracket (A) to a junction box with junction box screws (E).
4. Attach the hook on the interior of the canopy (B) to the loop on the safety cable(D)
5. Attach the hook on the interior of the canopy (B) to the loop on the safety cable(D) .Use the Wire Connectors (F) to connect the white wire(s) from the fixture to the white wire of the supply circuit. Connect the black wire(s) from the fixture to the black wire of the supply circuit. Wrap the bare copper grounding wire from the fixture around the green screw on the mounting bracket, then connect it to the grounding conductor of the supply circuit.
6. Place the fixture assembly (B) against the mounting surface, allowing the preassembled screws on mounting bracket (A) to pass through the fixture assembly(B).Secure with previously removed canopy nut(C).
7. Adjust the three fixture wires to the desired length.To Shorten the Lamp: See illustration #1. Push each of the three guide wires up into the canopy.Minimum height : 16inch.
To Lengthen the Lamp: See illustration #2.Press bushing up and pull each of the three guide wires down. Maximum height : 123.5inch.
Ensure the three guide wires and power cord are approximately. the same height and the power cord is somewhat loose to prevent power cord wire load.