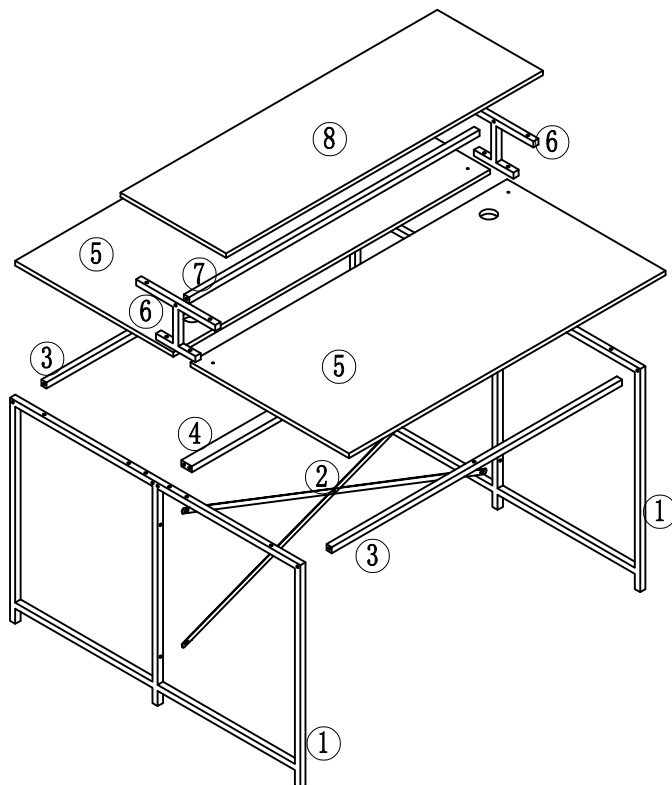
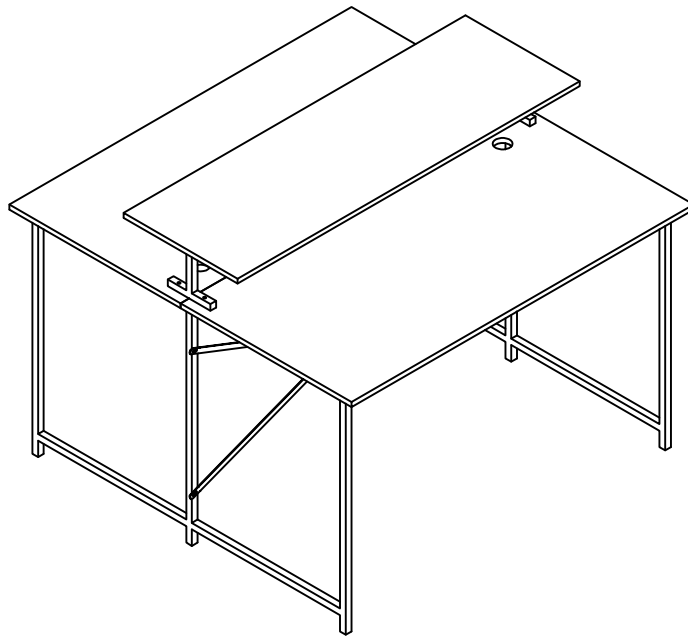
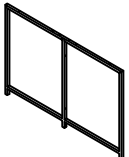

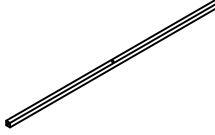
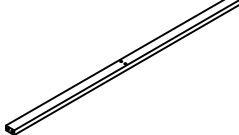
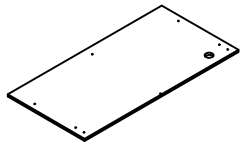
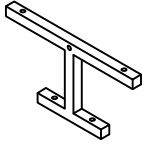
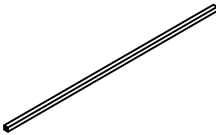
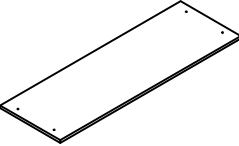


ASSEMBLY INSTRUCTIONS





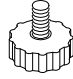




SKU: WF198003AAT

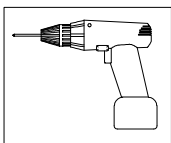


Part List

				
① x2Pcs	② x2Pcs	③ x2Pcs	④ x1Pc	⑤ x2Pcs
				
⑥ x2Pcs	⑦ x1Pc	⑧ x1Pc		

Hardware List

					
M6x30 Ax20Pcs	M6x60 Bx4Pcs	M6x10 Cx1Pc	M6x35 Dx10Pcs	M6 Ex6Pcs	Fx9Pcs
					
Gx1Pc	Hx1Pc	Ix2Pcs			



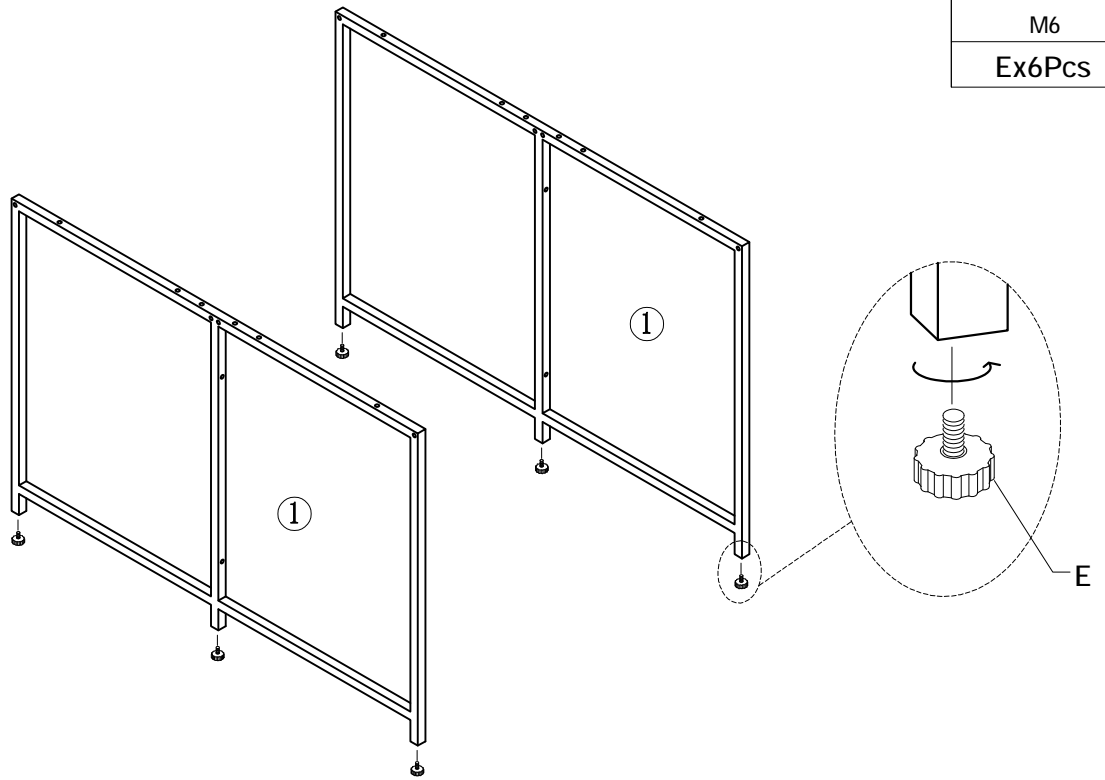
PLEASE BE CAREFUL. DO NOT DAMAGE THE HOLE POSITION WHEN YOU USE POWER TOOLS !

Step 1

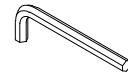


M6

Ex6Pcs



Step 2

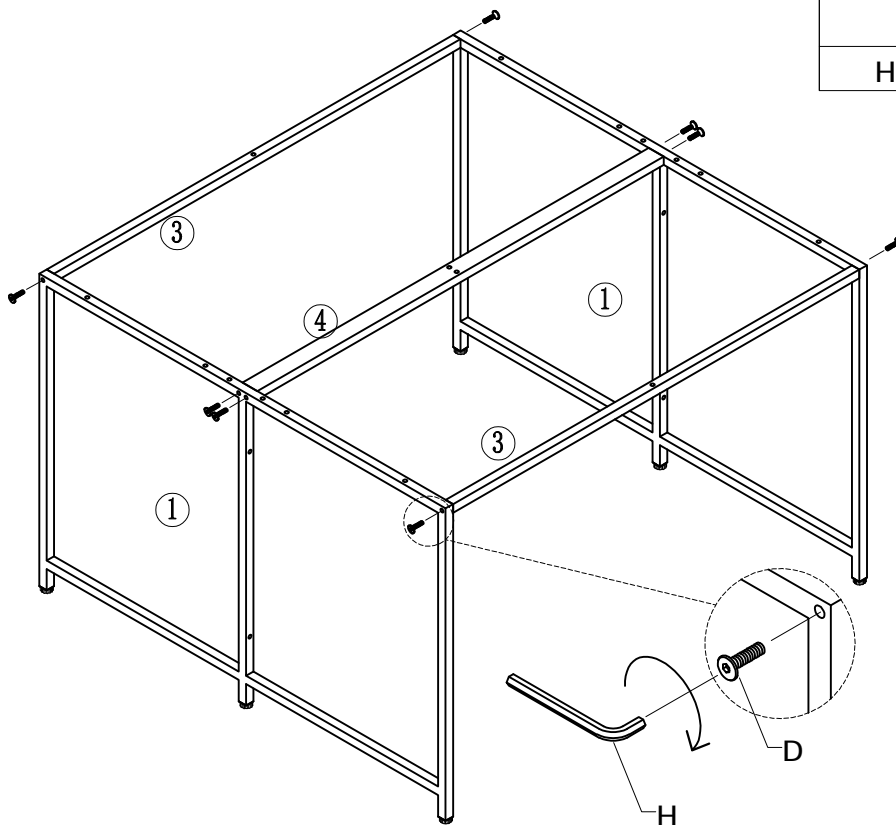


Hx1Pc





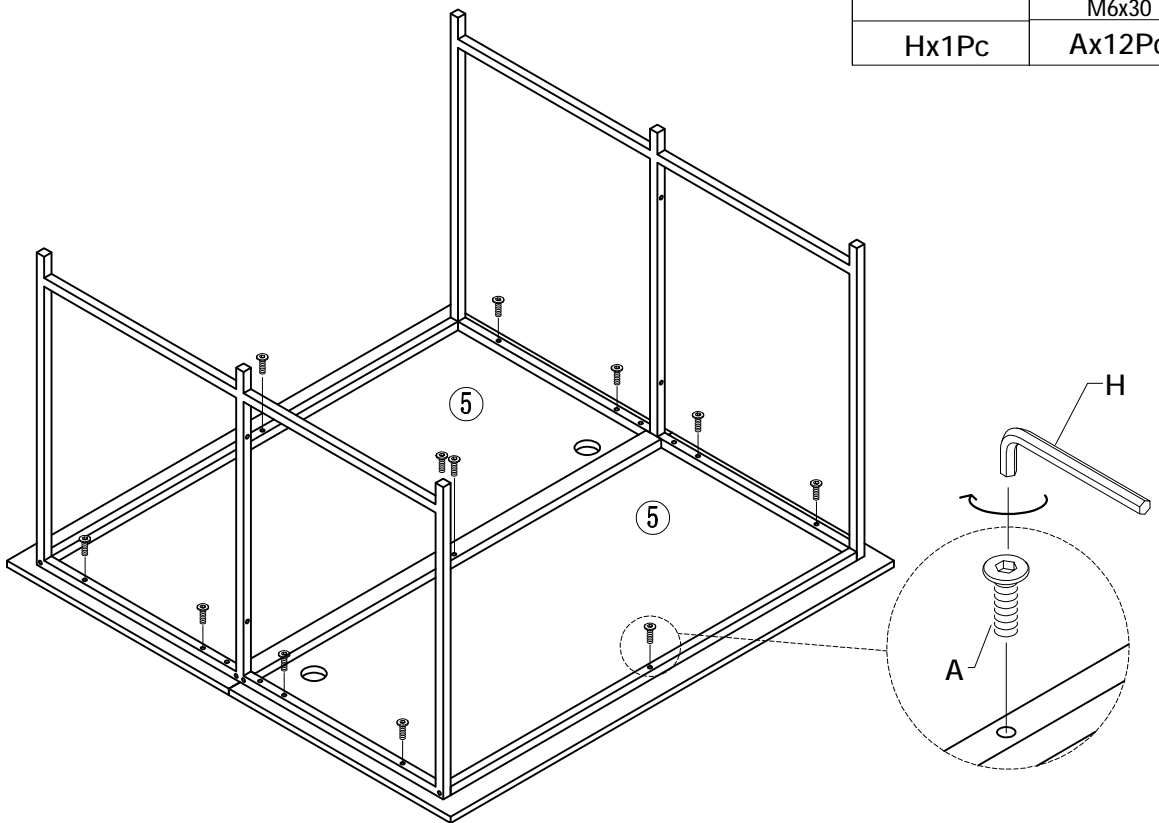
M6x35

Dx8Pcs








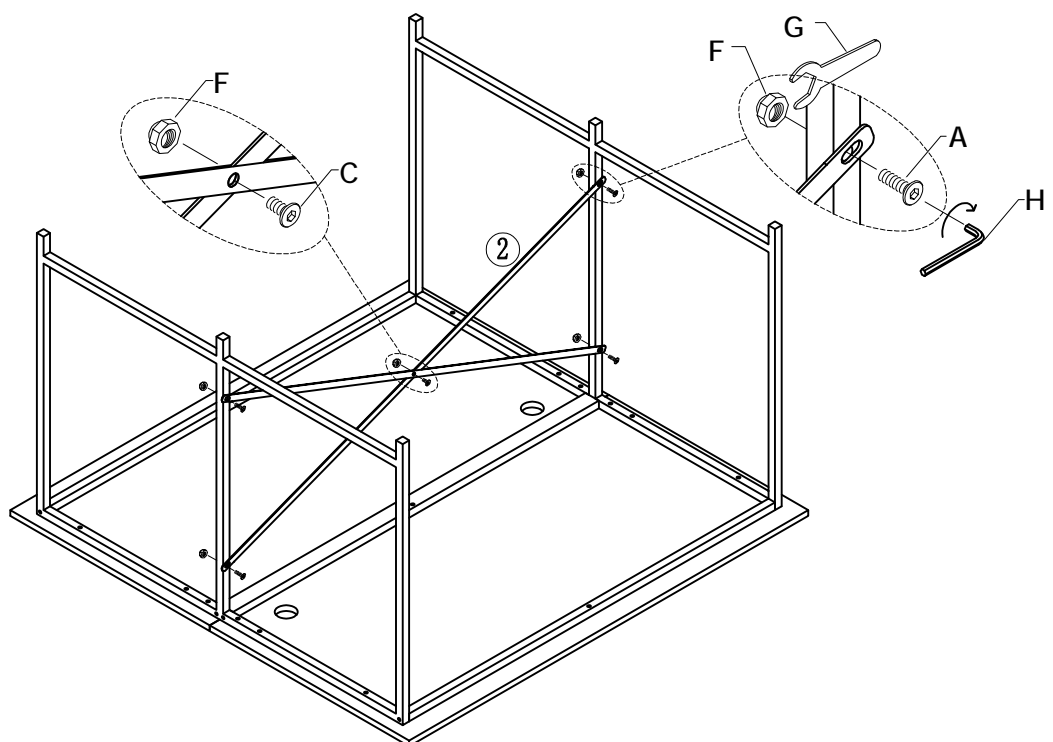
Step 3

	
Hx1Pc	M6x30 Ax12Pcs



Step 4

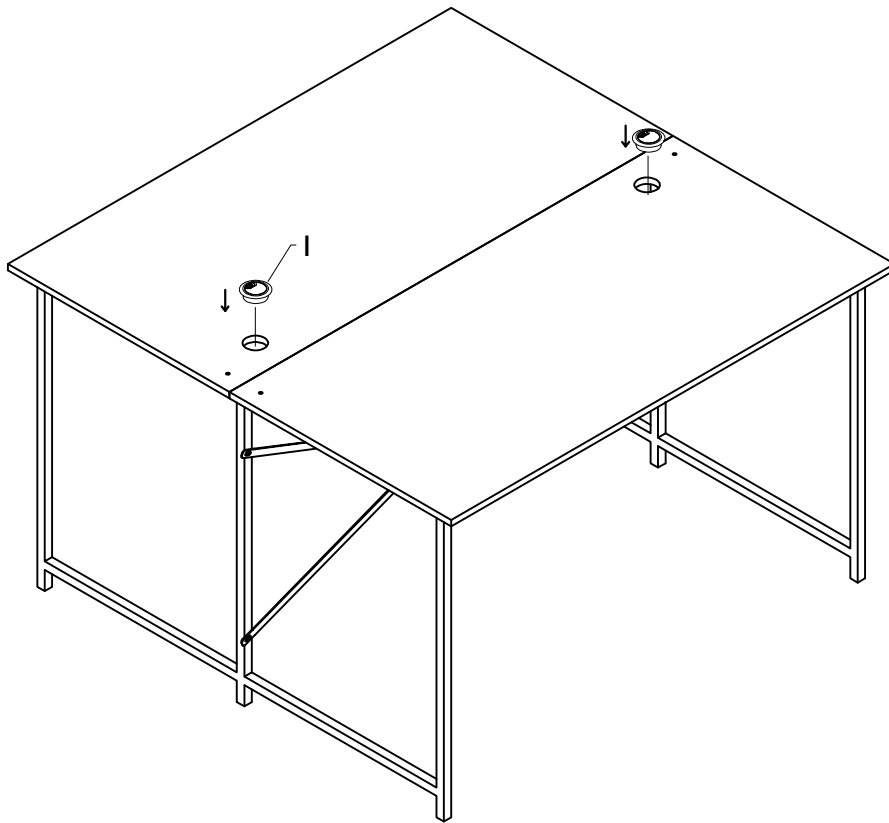
				
Gx1Pc	Hx1Pc	Fx5Pcs	M6x10 Cx1Pc	M6x30 Ax4Pcs



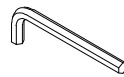
Step 5



1x2Pcs



Step 6

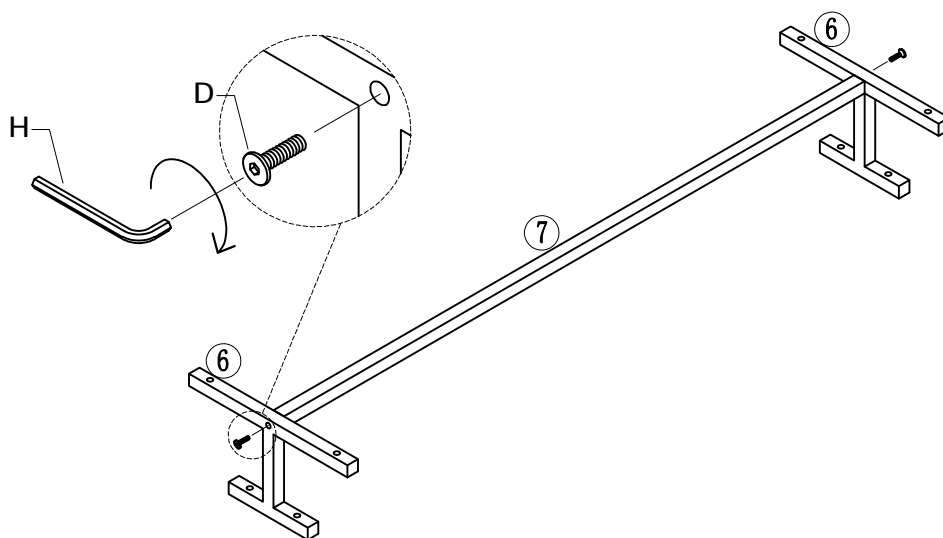


Hx1Pc

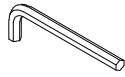



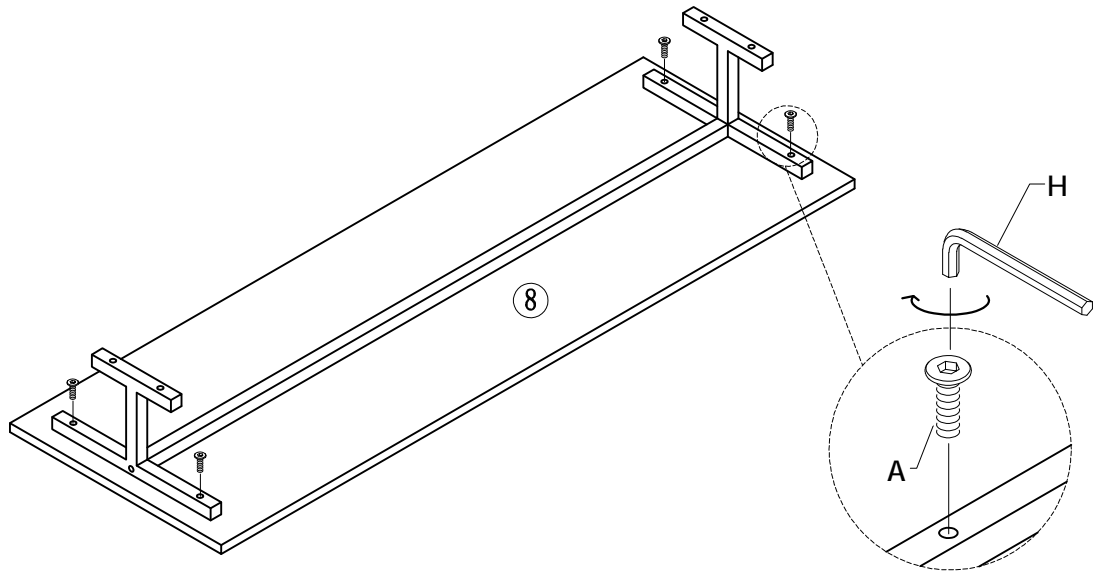
M6x35

Dx2Pcs


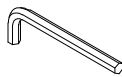




Step 7

	
Hx1Pc	M6x30 Ax4Pcs



Step 8

			
Gx1Pc	Hx1Pc	Fx4Pcs	M6x60 Bx4Pcs

