
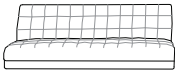


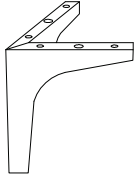
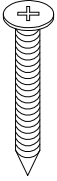
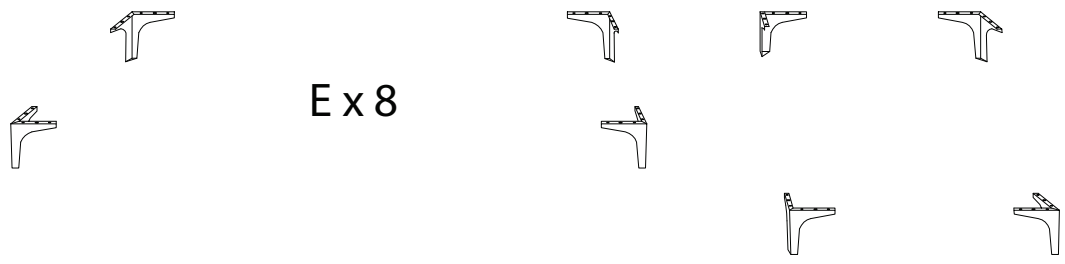
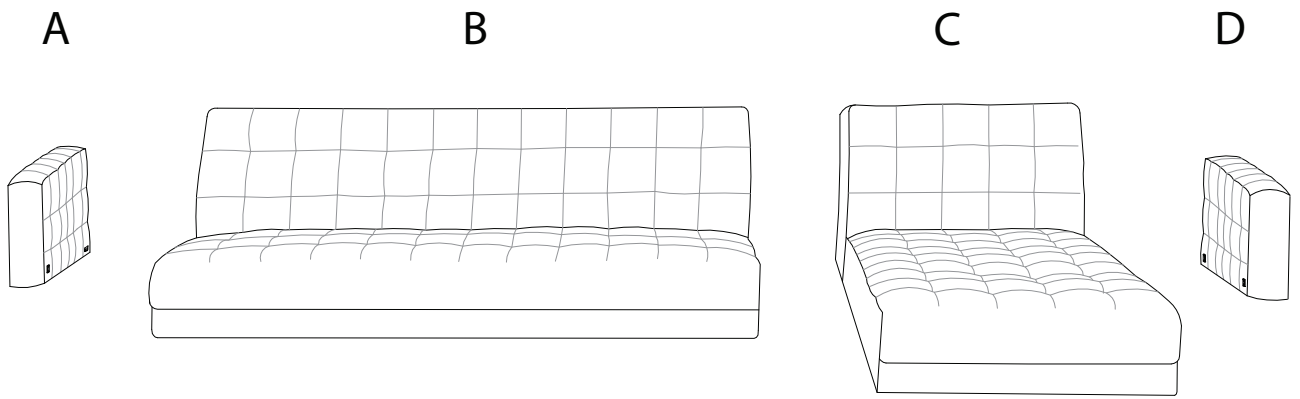

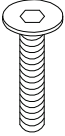
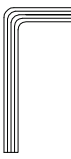
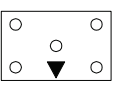
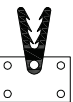


Assembly instructions for step 1/6:

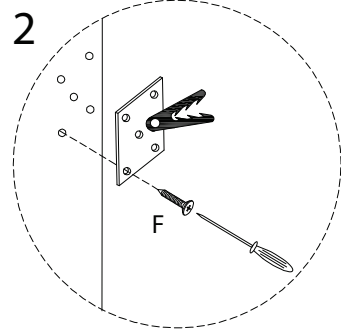
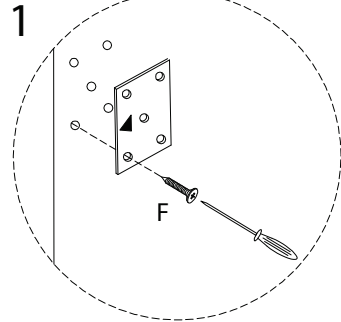
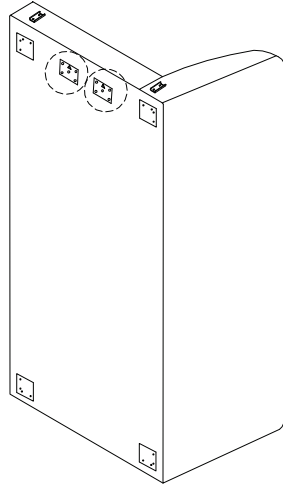
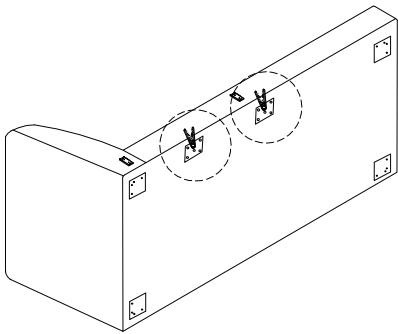
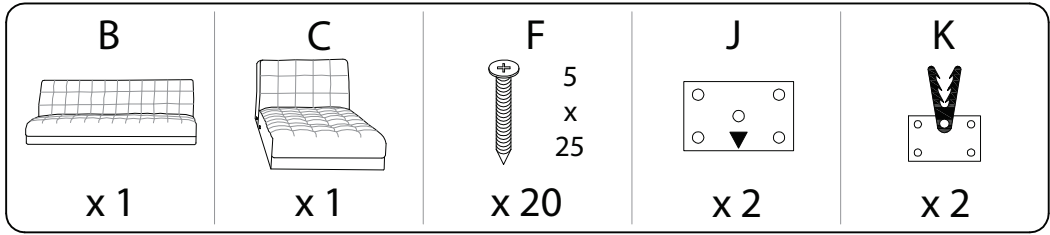
- Tools:** An icon in a circle shows an Allen key and a screwdriver. A power drill is shown with a diagonal line through it, indicating it is not to be used.
- Warning:** A triangle with an exclamation mark indicates a warning.
- Time:** A clock icon indicates an estimated assembly time of 45 minutes.
- Personnel:** An icon of a person indicates that 2 people are required for assembly.

A	B	C	D	E	F
					
x 1	x 1	x 1	x 1	x 8	5 x 25 x 52

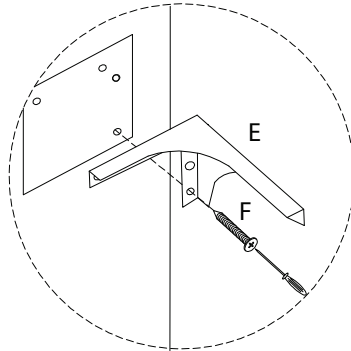
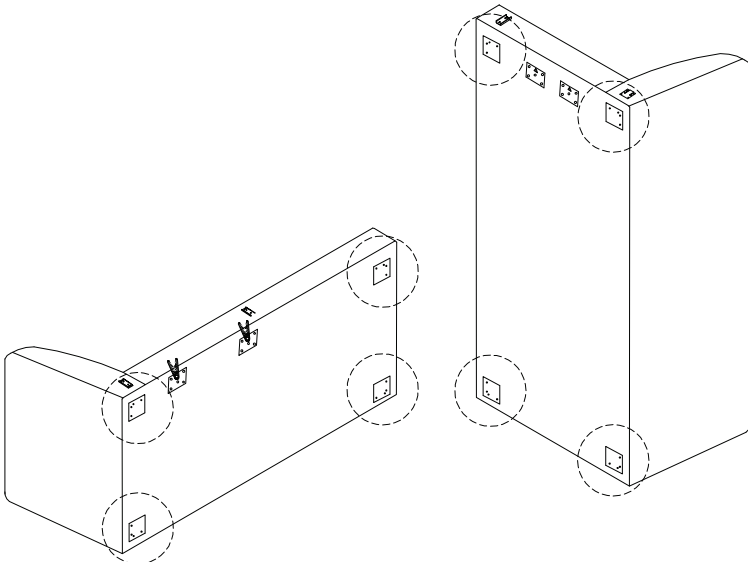
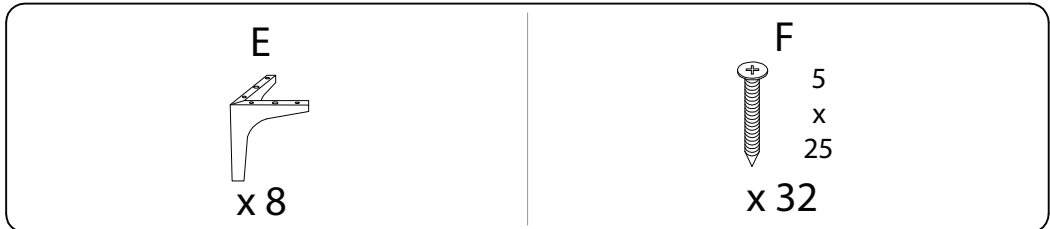


G	H	I	J	K
				
x 4	M6 x 30 x 8	x 1	x 2	x 2


1

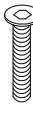



3

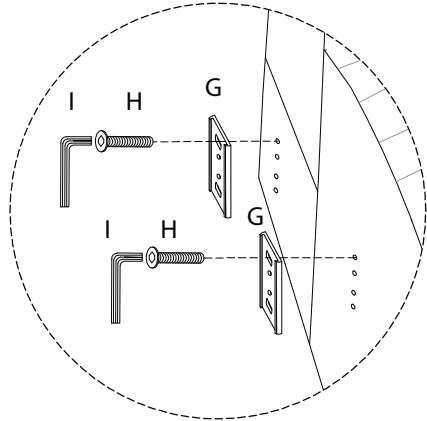
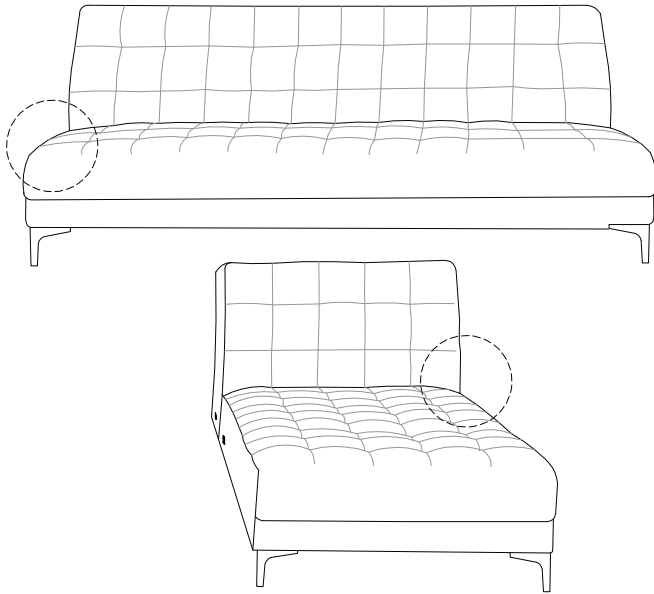


2

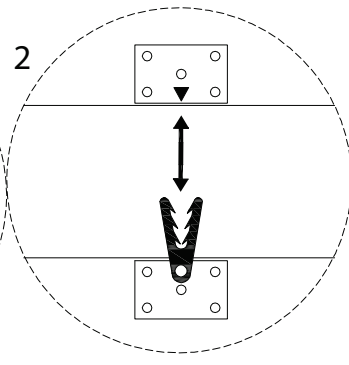
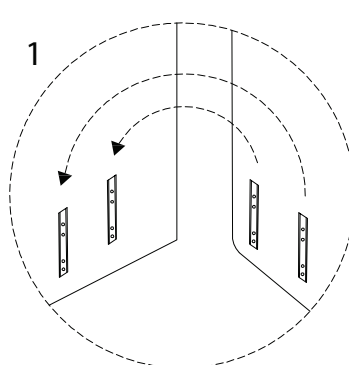
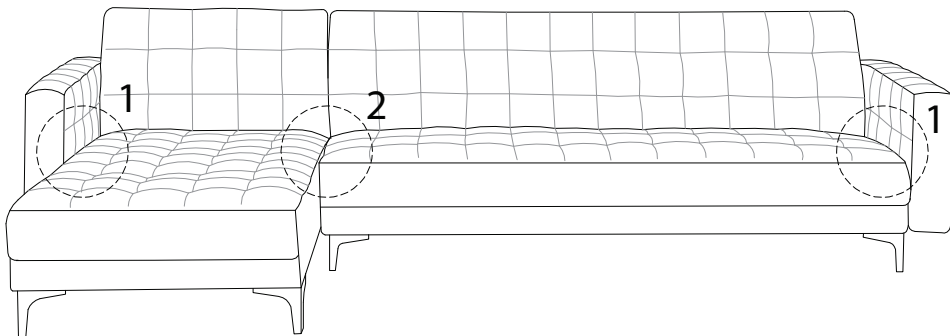
G

x 4

H
 M6
x 30
x 8

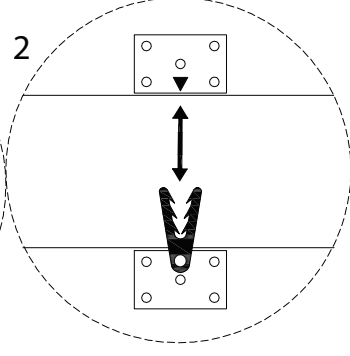
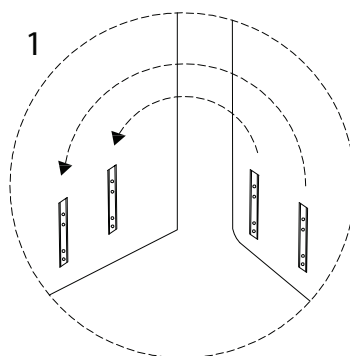
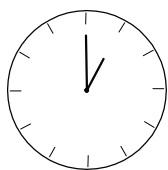
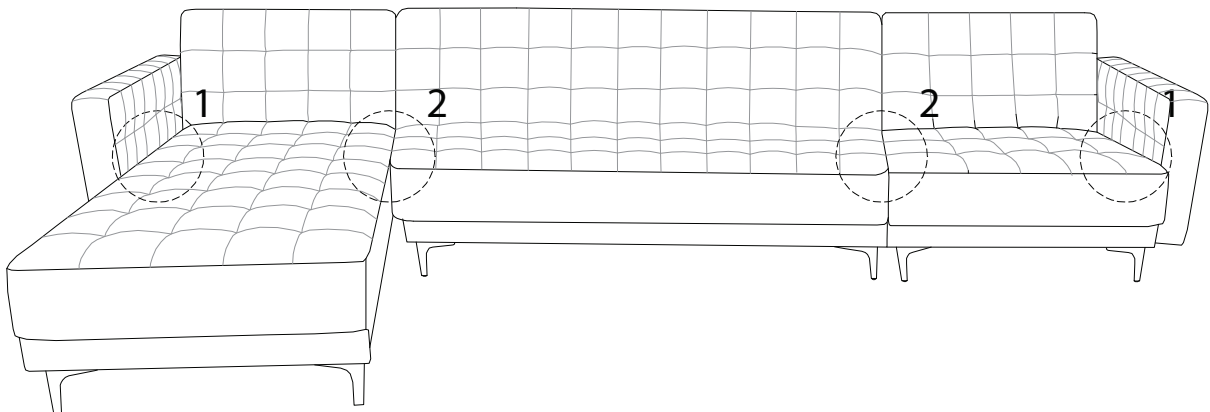
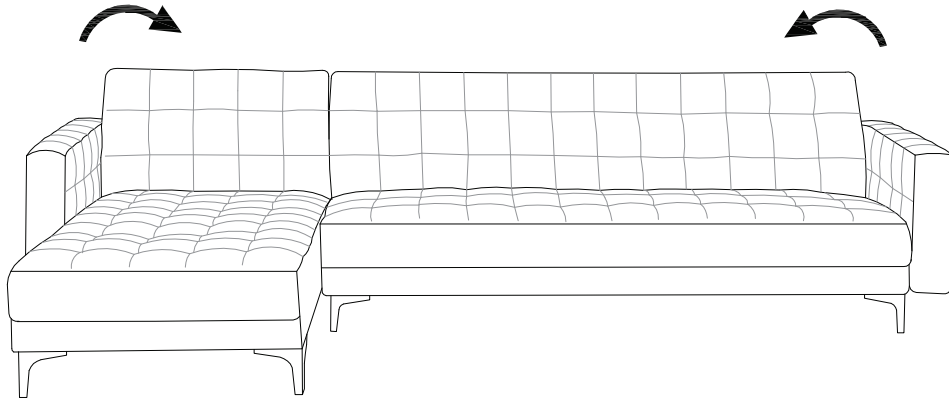
I

x 1

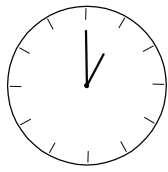
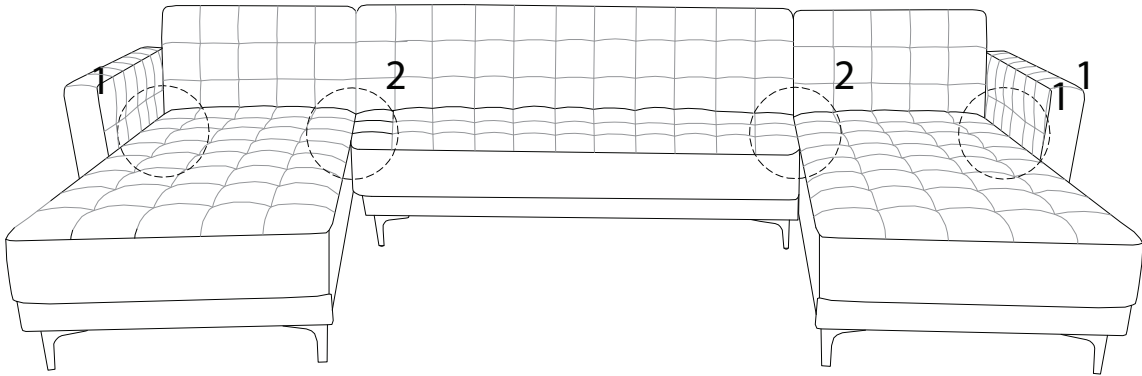


4

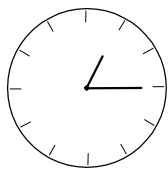
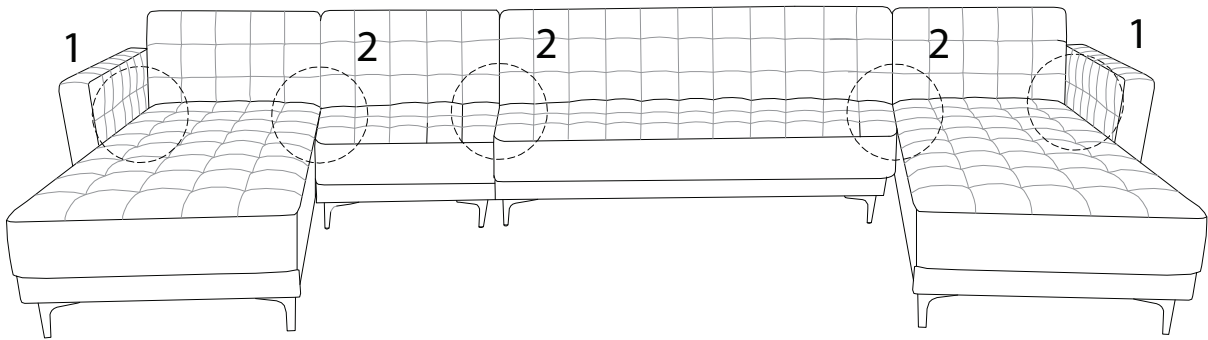
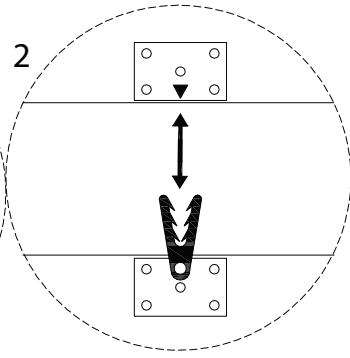
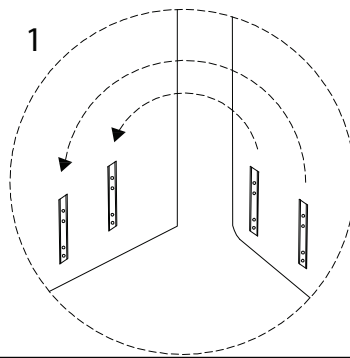


!





60'



75'

