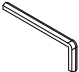


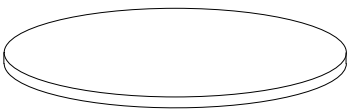
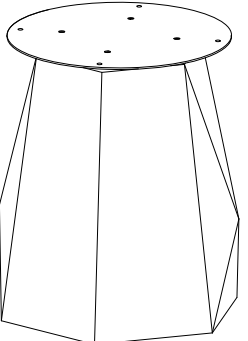


Assembly Instruction For Dining Table 60" dia x 30"H

Hardware List

| No | Description | Figure | Q'TY |
|----|--------------------|---|------|
| 1 | Allen Wrech M4 |  | 1 |
| 2 | Hexagon Bolt M6x15 |  | 4 |
| 3 | Washer M6x16 |  | 4 |

Parts List

| | | |
|---|---|---|
| A |  | 1 |
| B |  | 1 |

