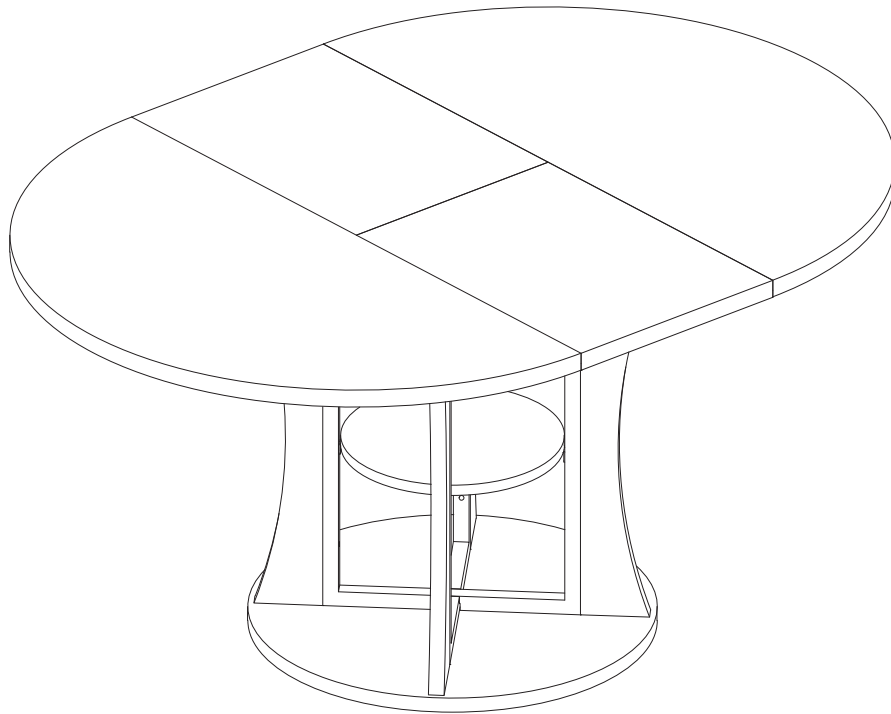


Expandable Dining Table

ASSEMBLY, CARE & USE INSTRUCTIONS



QC25043002

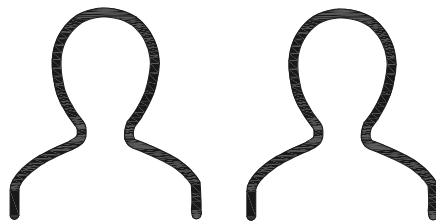
THANK YOU

We appreciate the trust to purchase our Expandable Dining Table. We strive to continually create quality products designed to enhance your home. Visit us online to see our full line of products available for your home improvement needs. Thank you for choosing us!



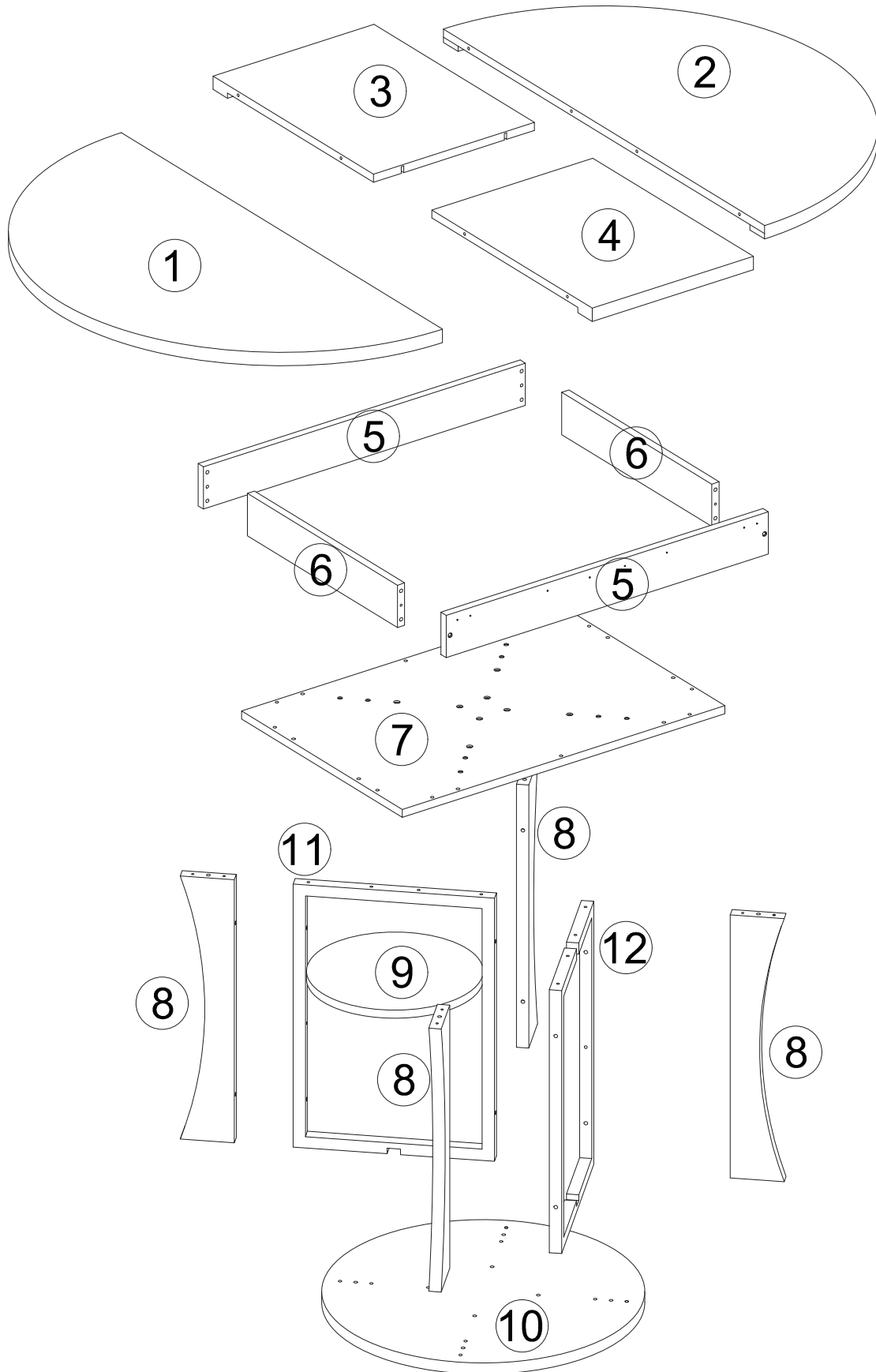
Estimated time for assembly:

80 mins



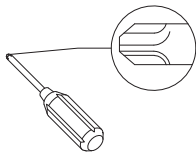
2 People

PACKAGE CONTENTS



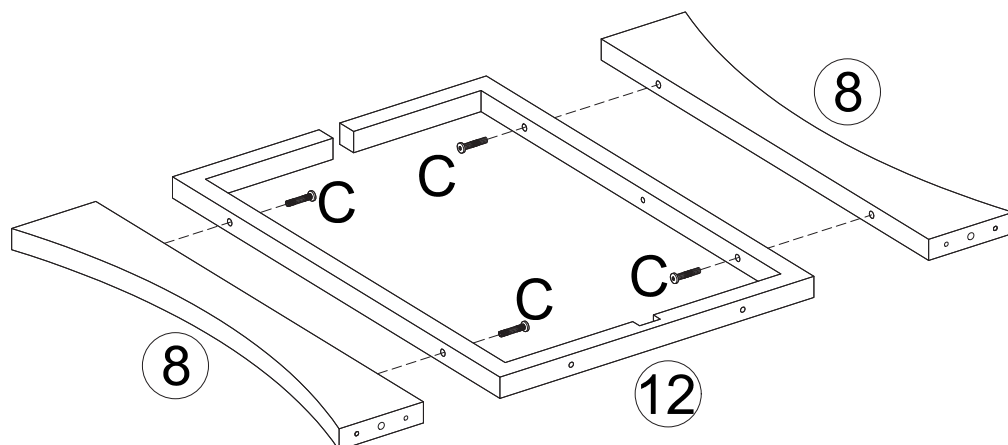
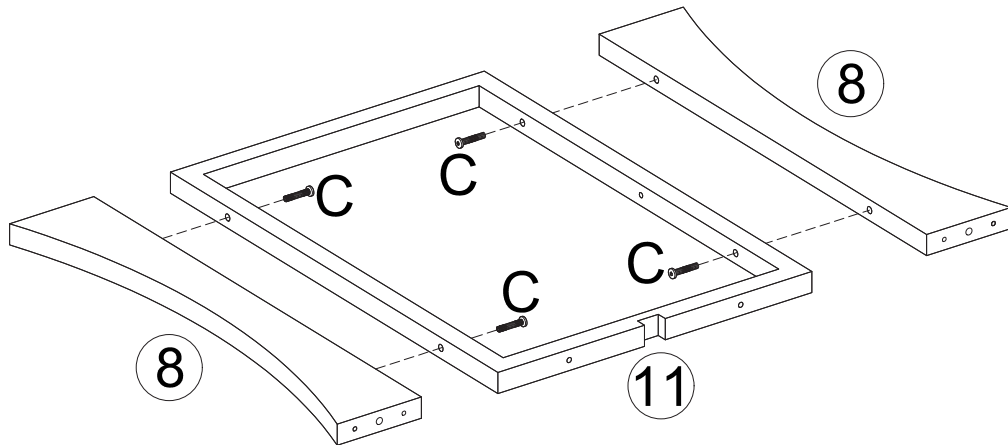
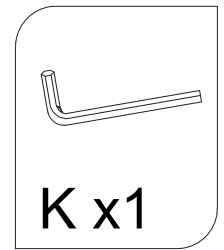
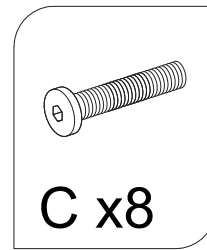
Hardware List

A		ø8x30mm	Wood dowel	20+2 PCS
B		M6x12mm	Bolt	8+1 PCS
C		M6x35mm	Bolt	20+2 PCS
D		ø6x48mm	Screw	30+2 PCS
E		L800mm	Screw	2 PCS
F		ø4x15mm	Screw	40+2 PCS
G			Hinge	2 PCS
H		ø3.5x12mm	Screw	8+1 PCS
I		20x20x15mm	L-shaped iron	4 PCS
J		35x35x3mm	Foot pad	4 PCS
K		4mm	Hex Key	1 PCS

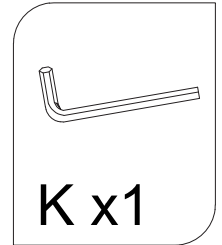
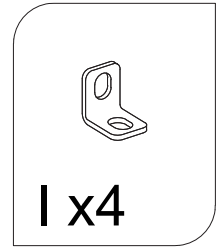
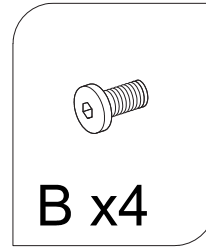
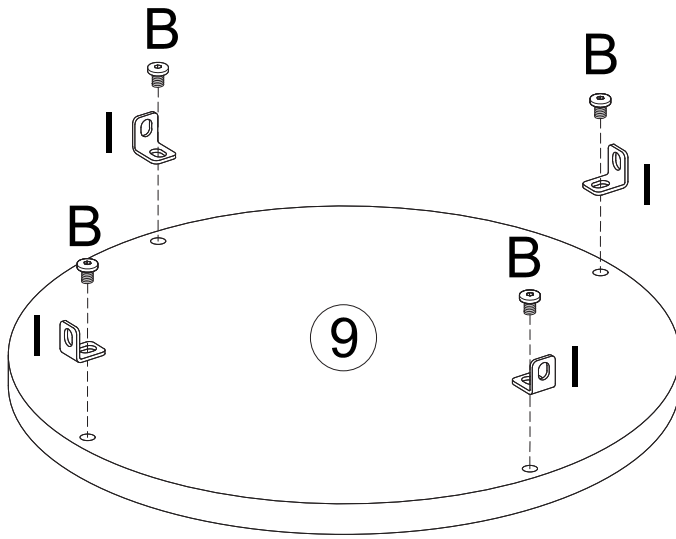


Philips head screwdriver required for assembly
(not included)

Step 1

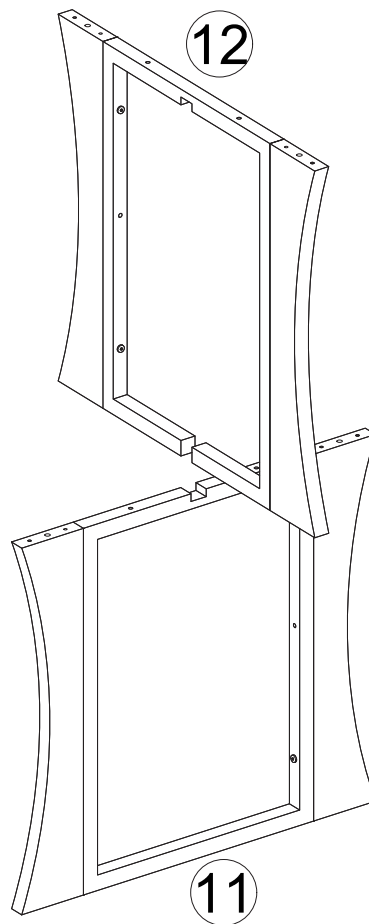


Step 2

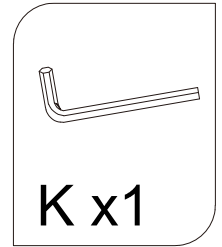
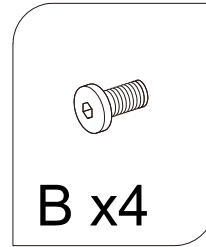
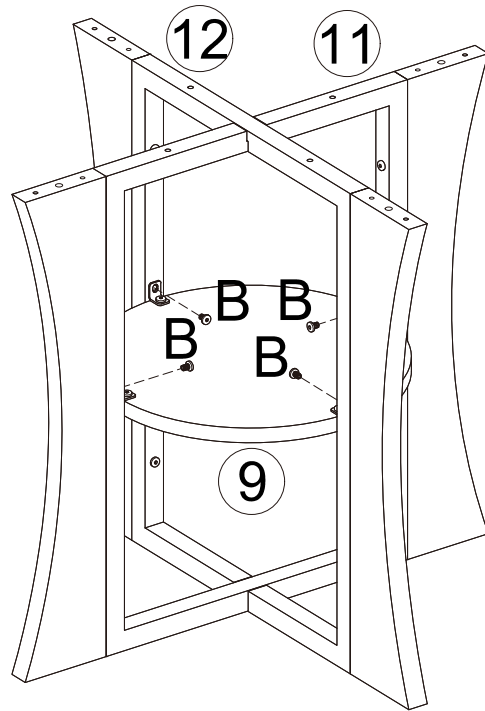


Tighten All bolt #B to 80% first.
After completing Step4,
tighten All bolt completely.

Step 3

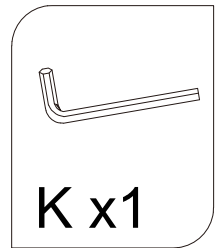
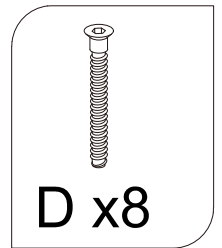
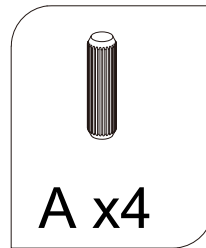
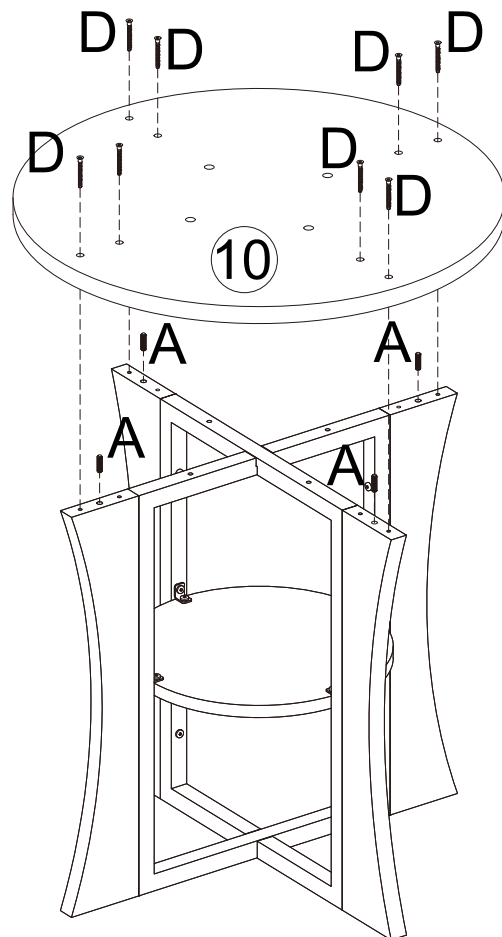


Step 4

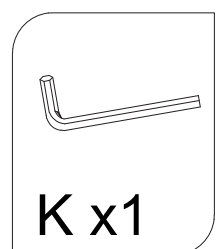
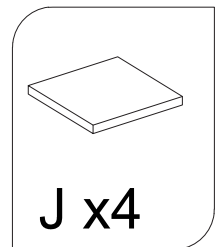
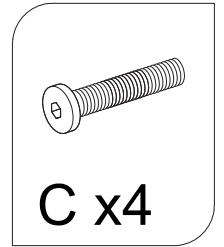
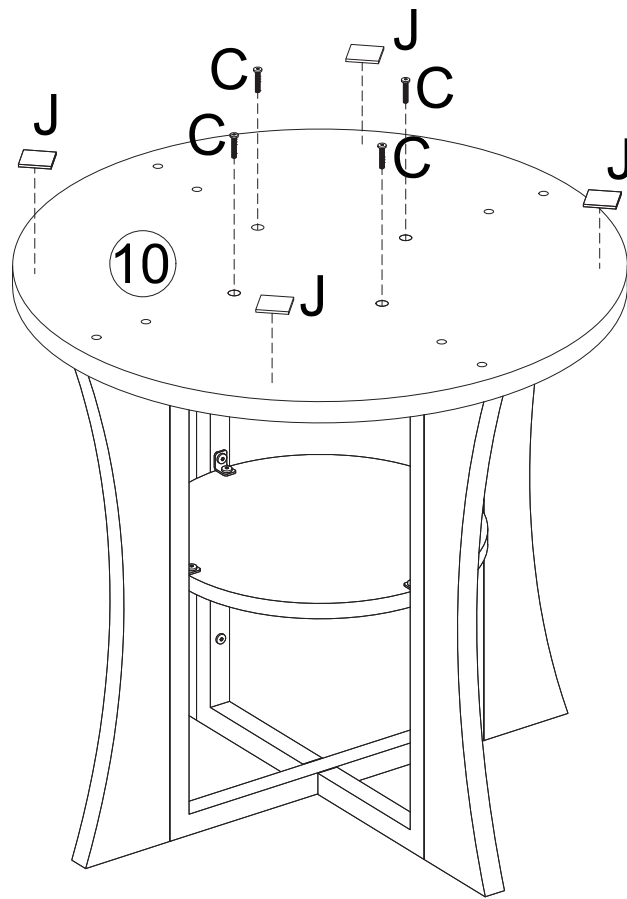


NOTE: Tighten all Bolt #B.

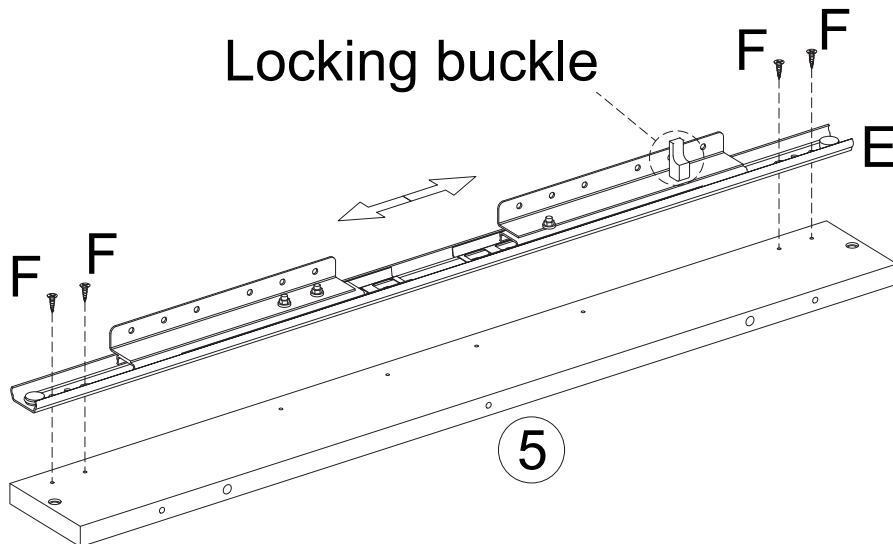
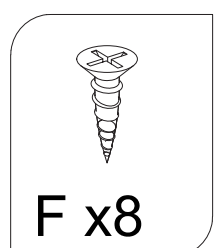
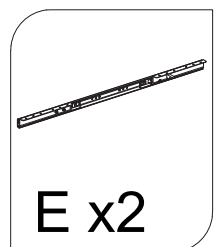
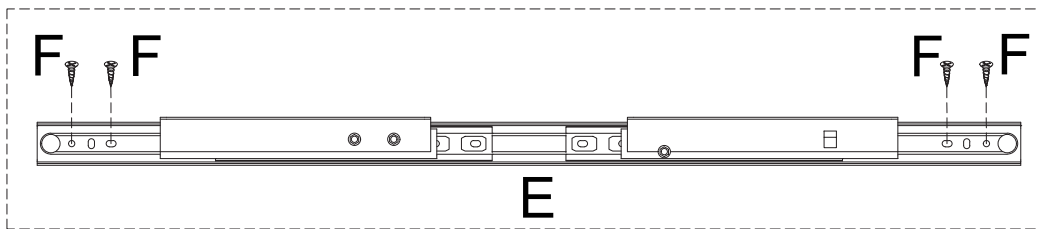
Step 5



Step 6

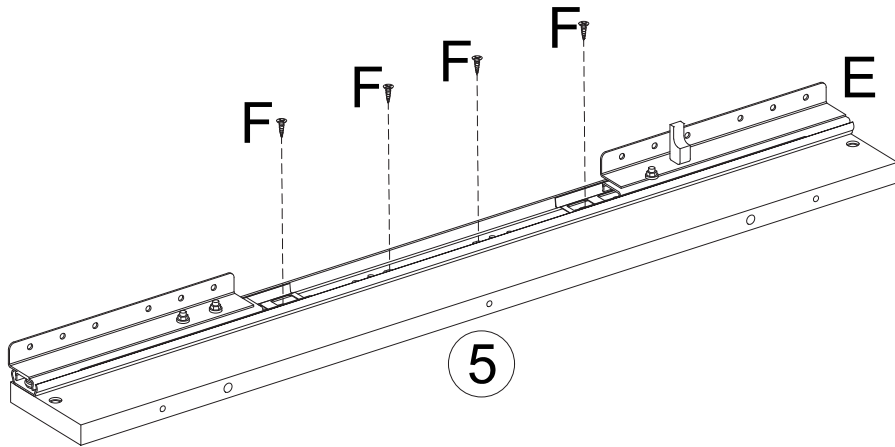
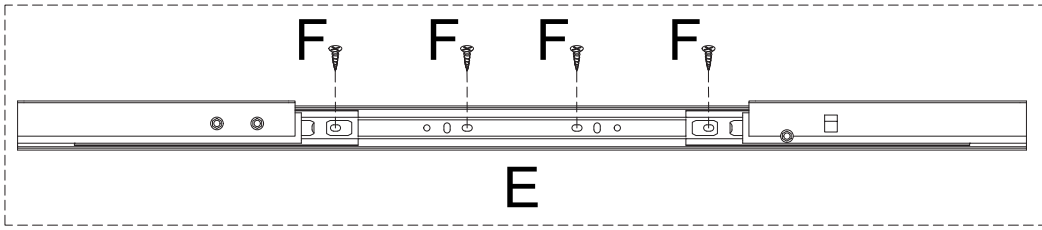
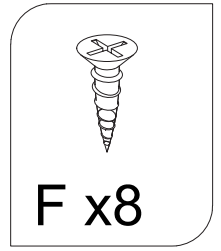


Step 7-1



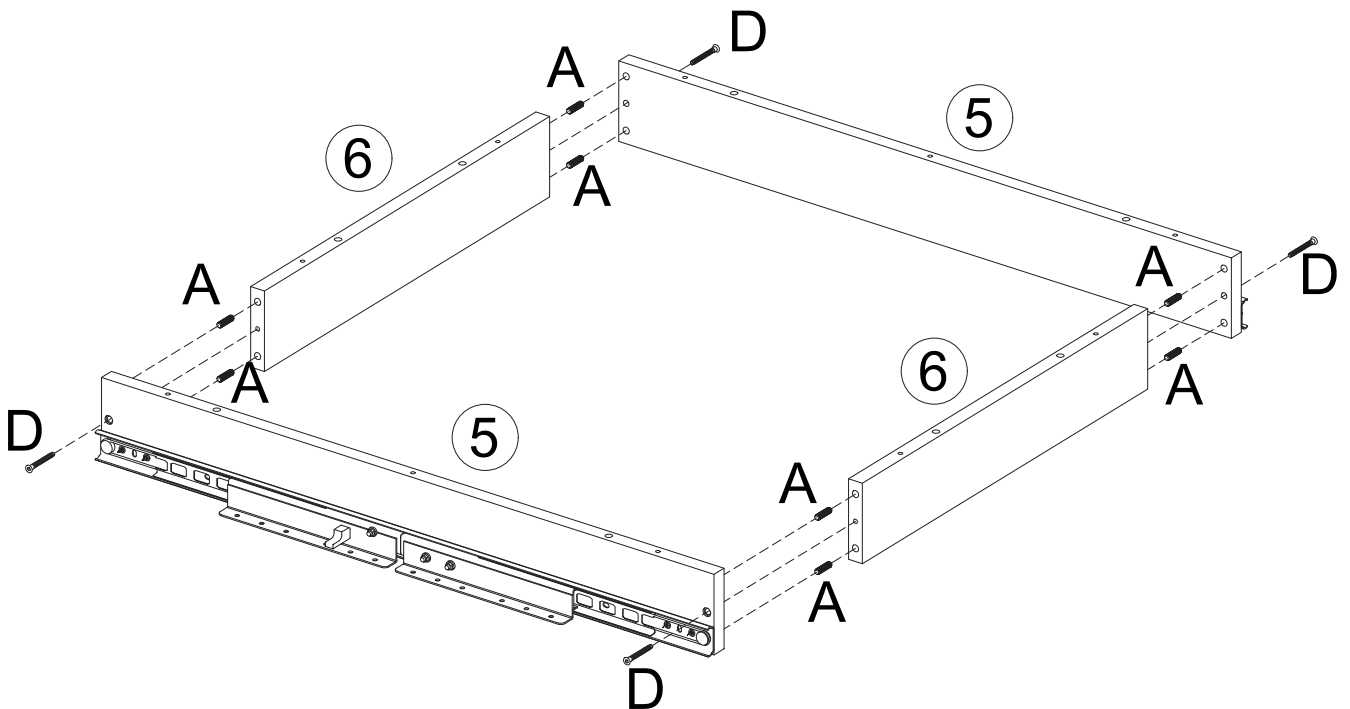
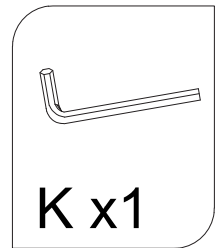
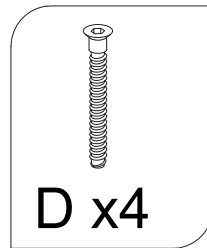
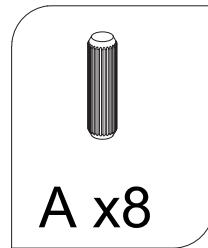
x2

Step 7-2

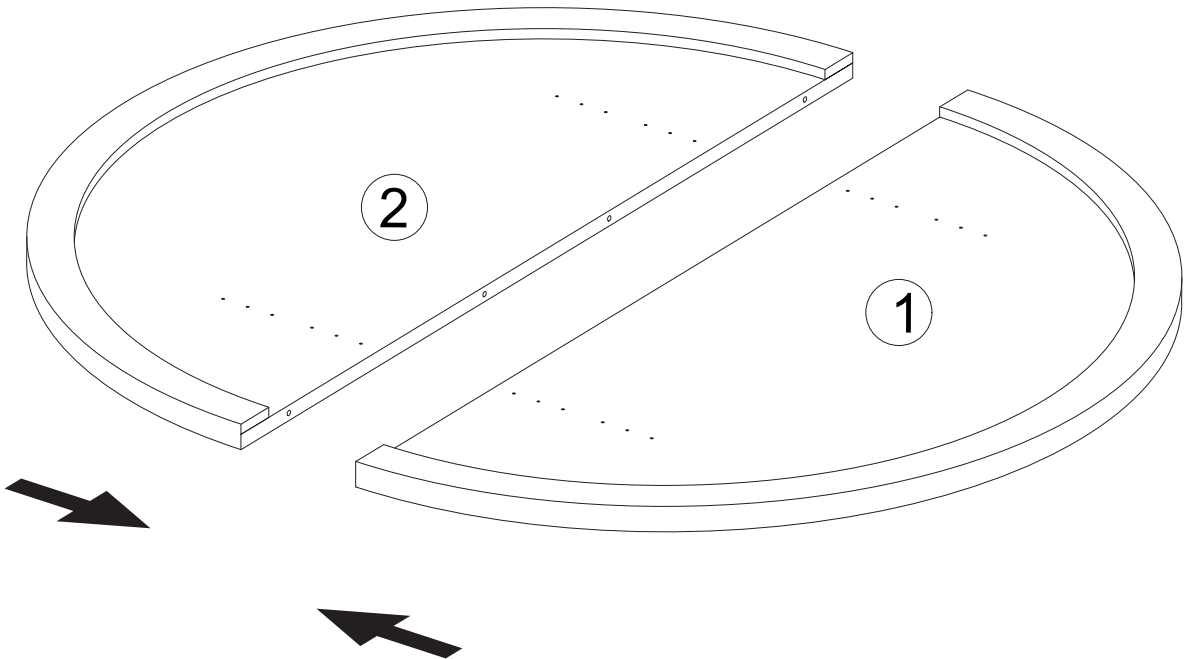


x2

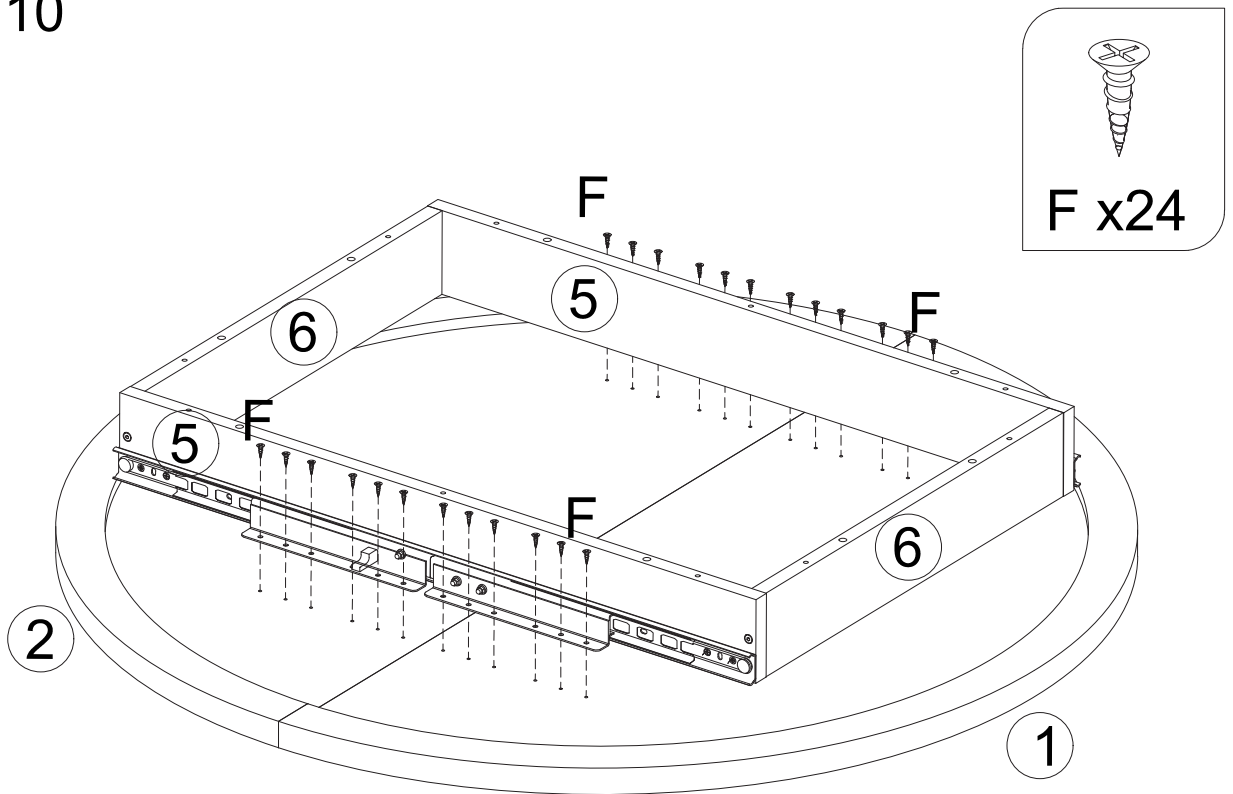
Step 8



Step 9



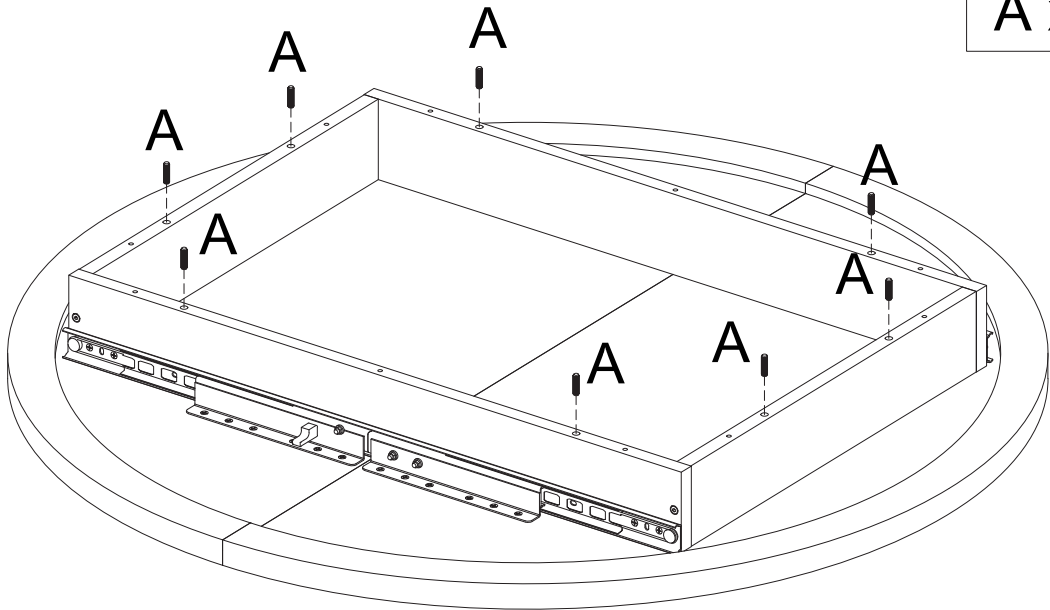
Step 10



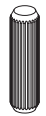
Step 11



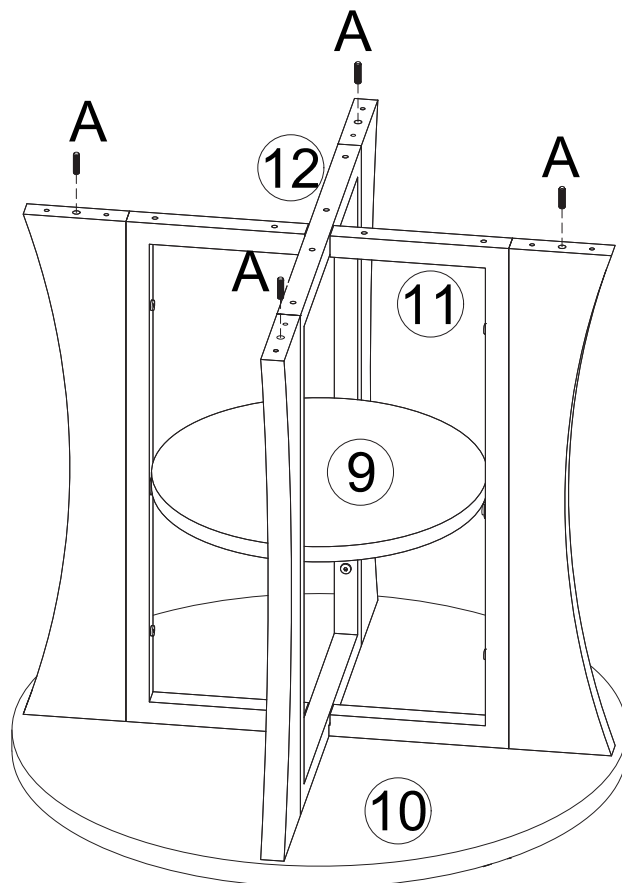
A x8



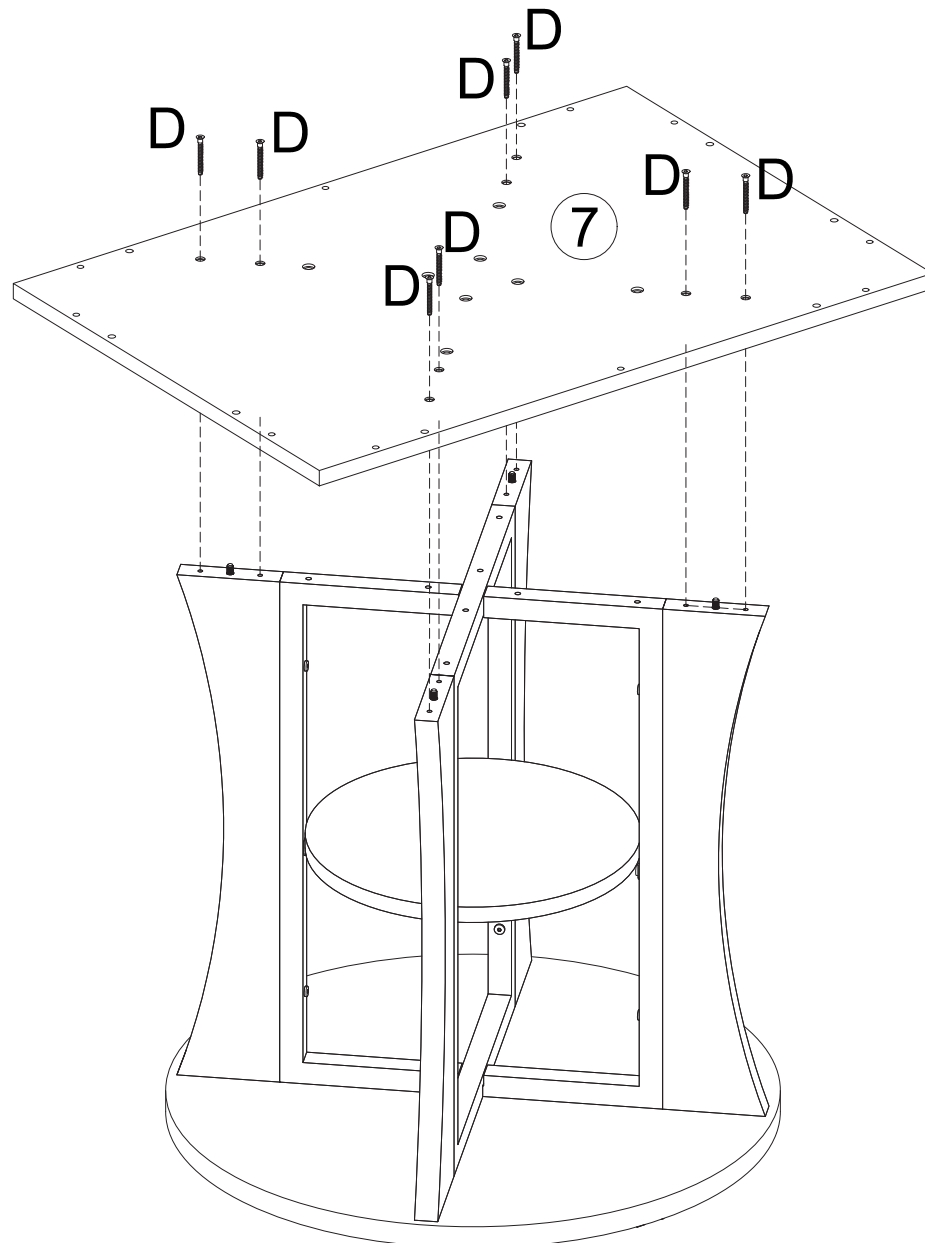
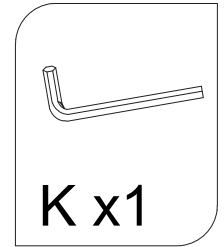
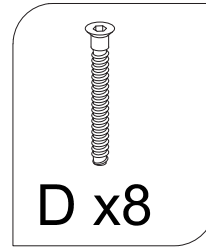
Step 12



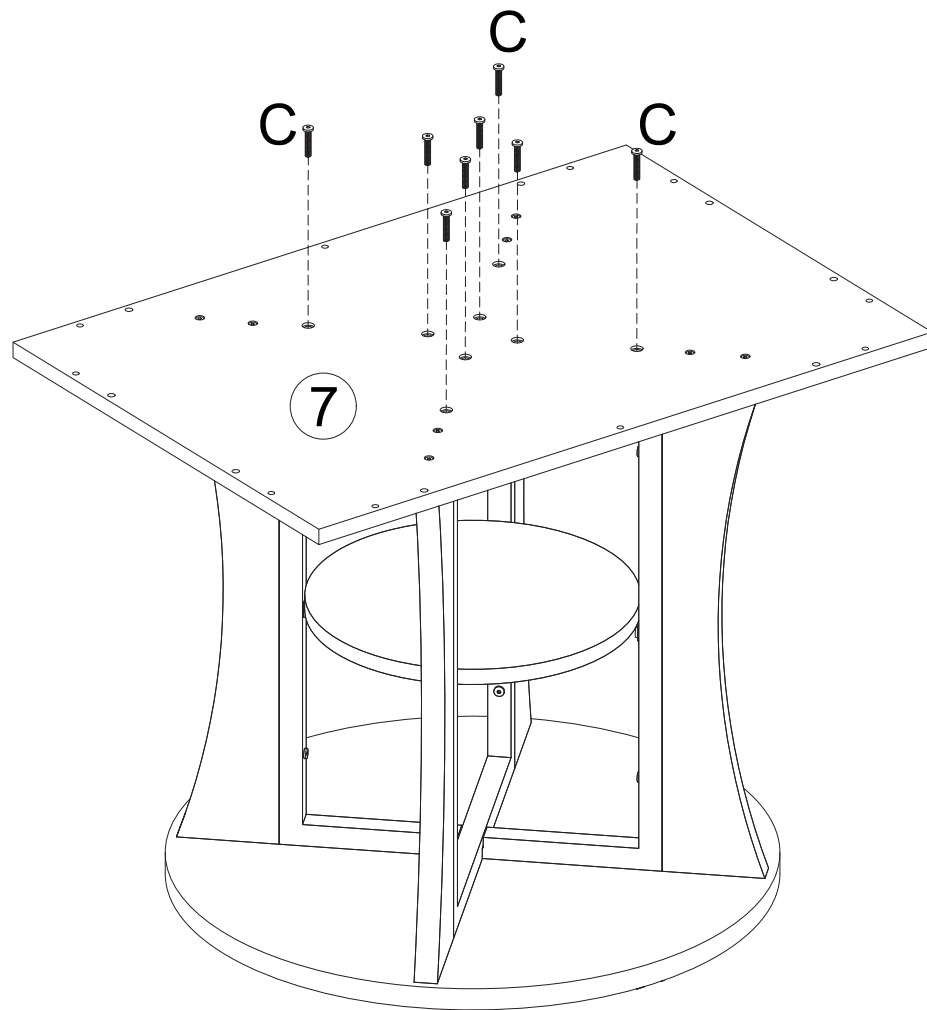
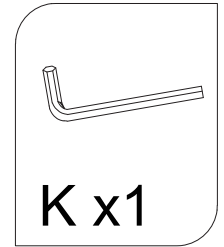
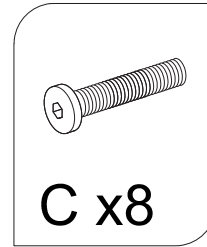
A x4



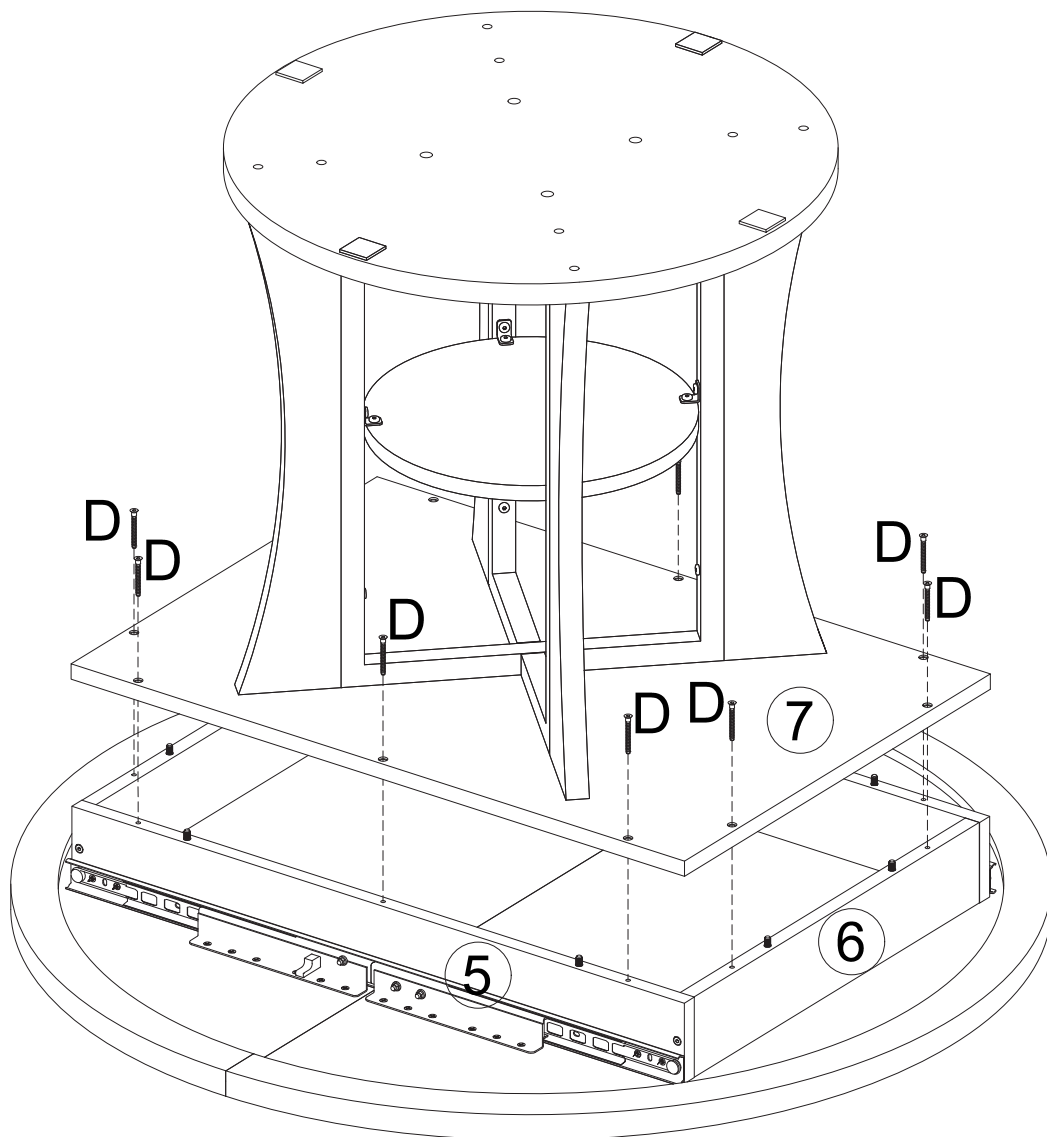
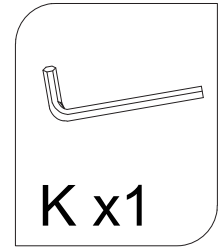
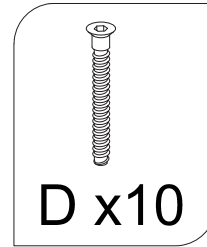
Step 13



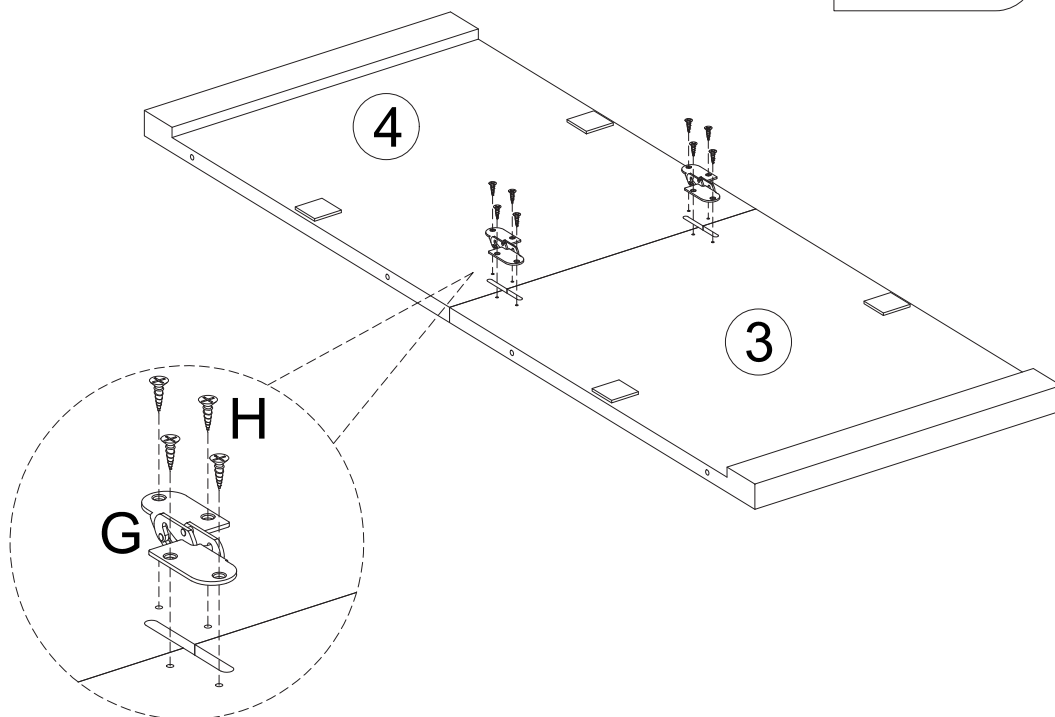
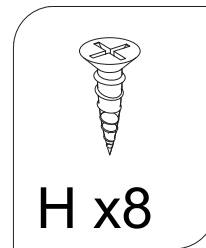
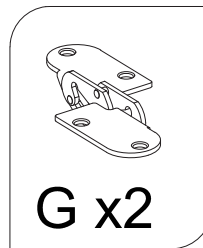
Step 14



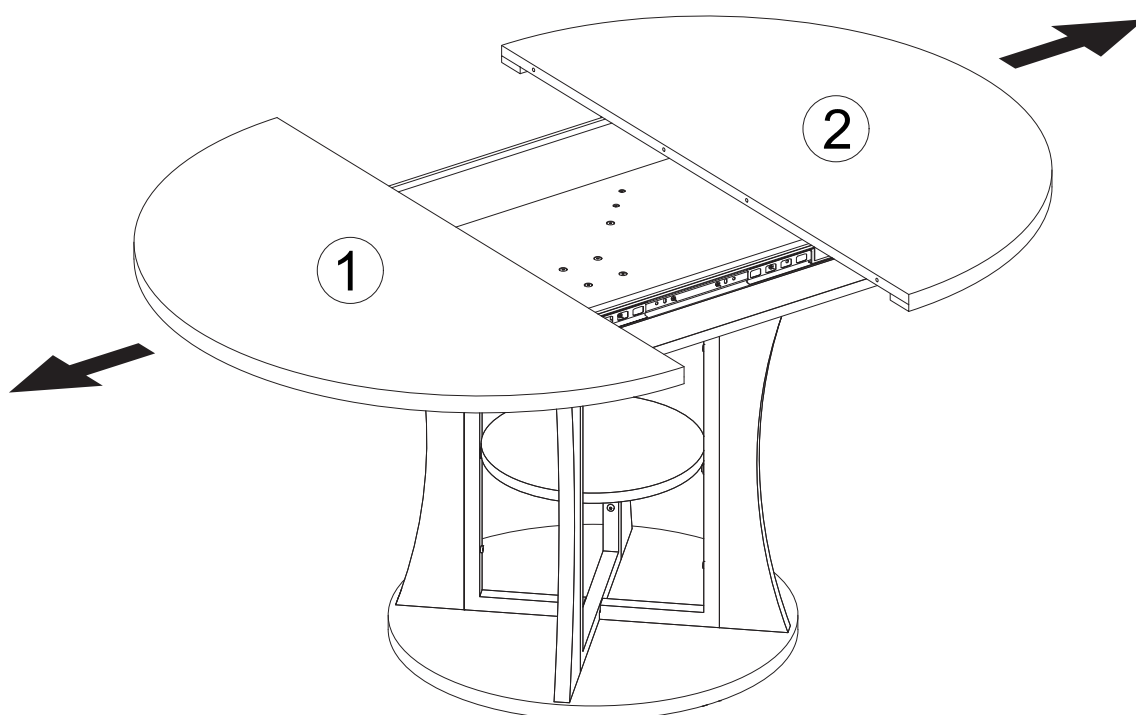
Step 15



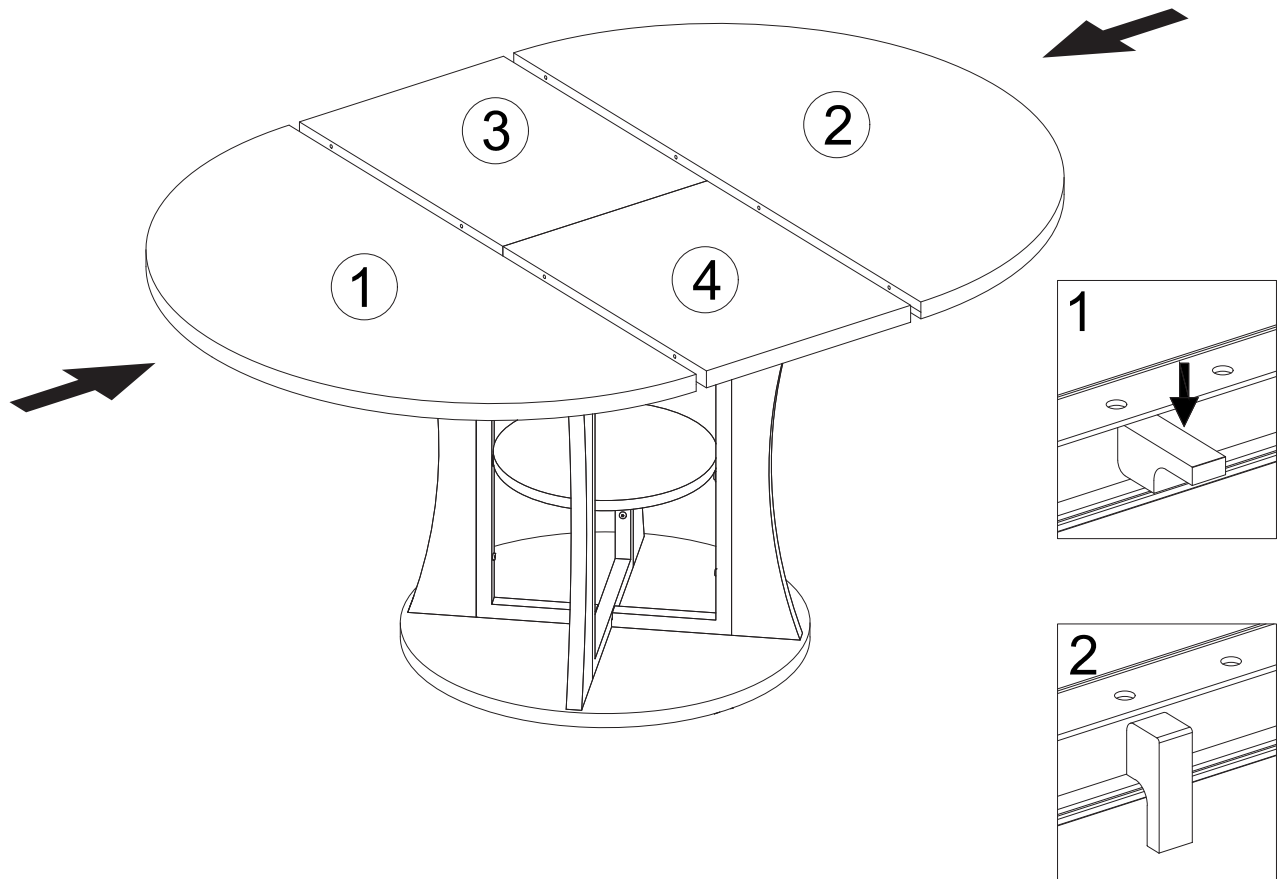
Step 16



Step 17



Step 18



Step 19

