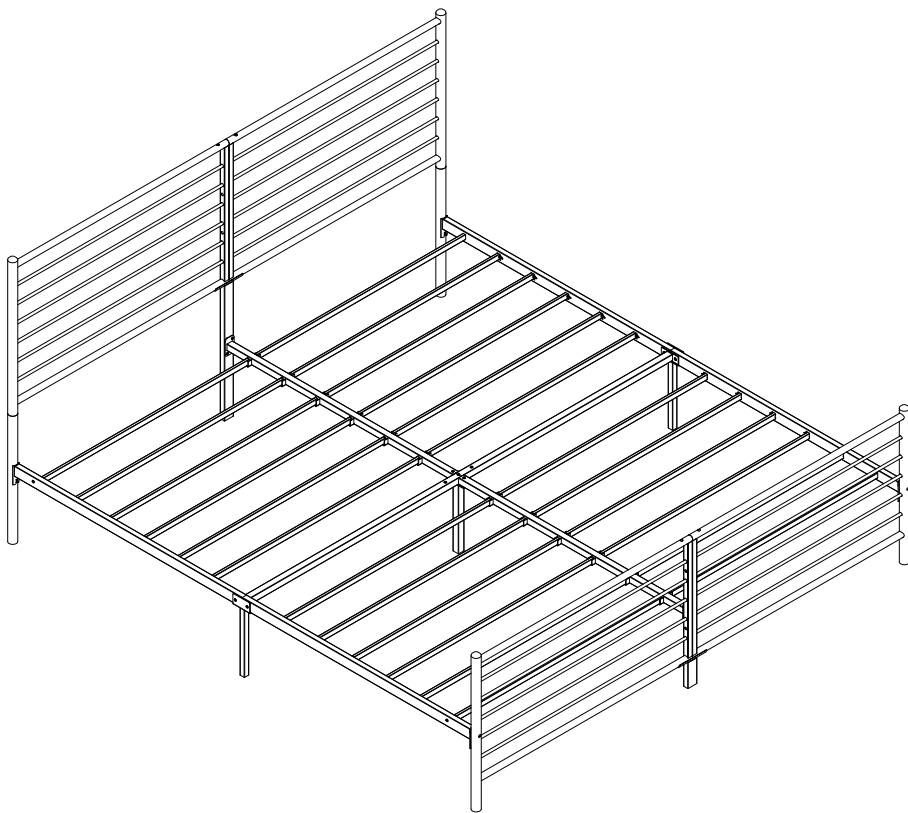


ASSEMBLY INSTRUCTION

MODEL NUMBER: 302K



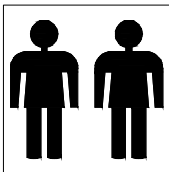
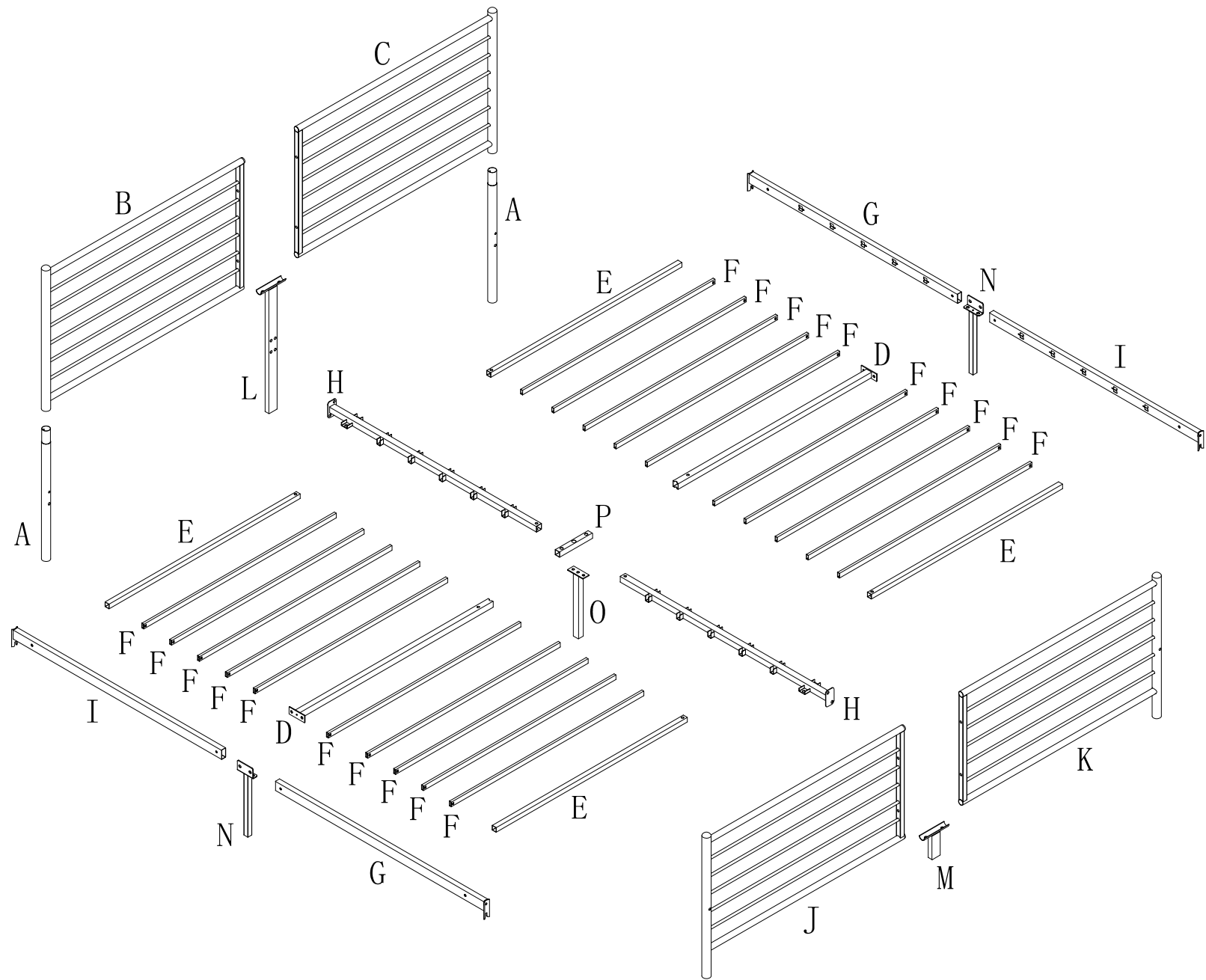
NOTES:

- The item is only intended to be used indoors. The product must be assembled and used in accordance with the provisions of the manual.
- It is recommended that assembly is undertaken by about 2 adults. Please read assembly instructions before assembly and strictly adhere to each step outlined. Estimated assembly time is 30 minutes.

WARNING:

- **WARNING FOR YOUNG CHILDREN** - This product contains small components, please ensure that they are kept away from small children while assembling.


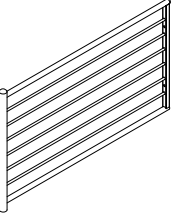
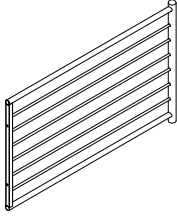
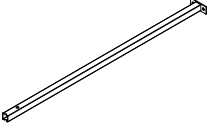
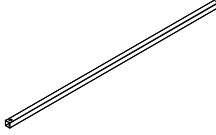
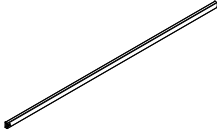
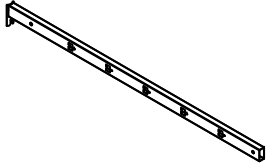
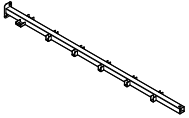
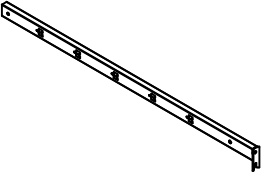
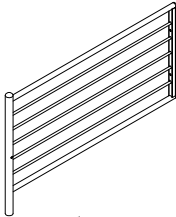
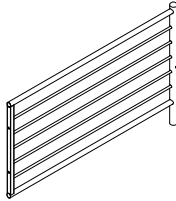


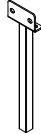
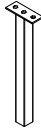
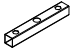
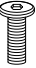
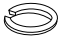
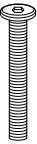
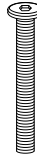
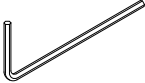


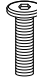

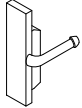
1 PARTS LIST



Minimum two person assembly

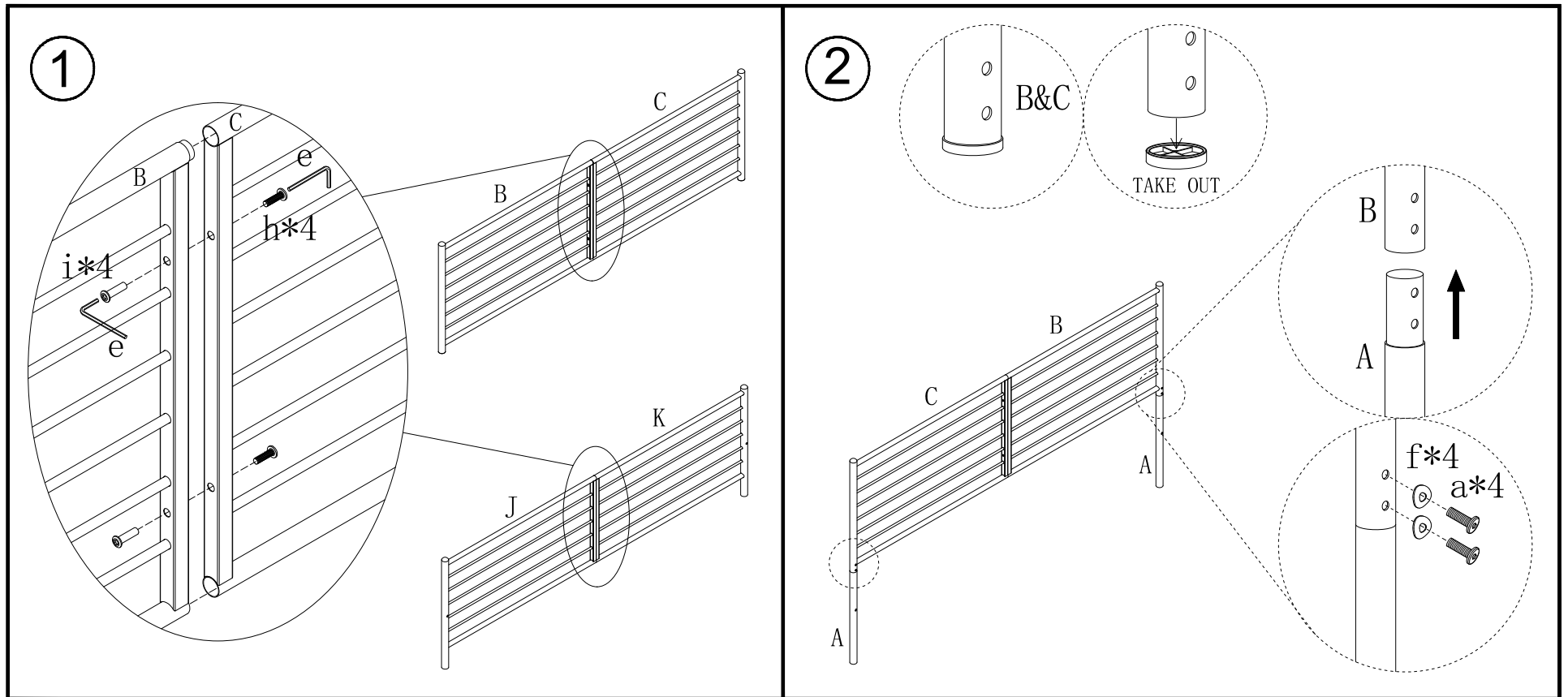
2

PARTS LIST

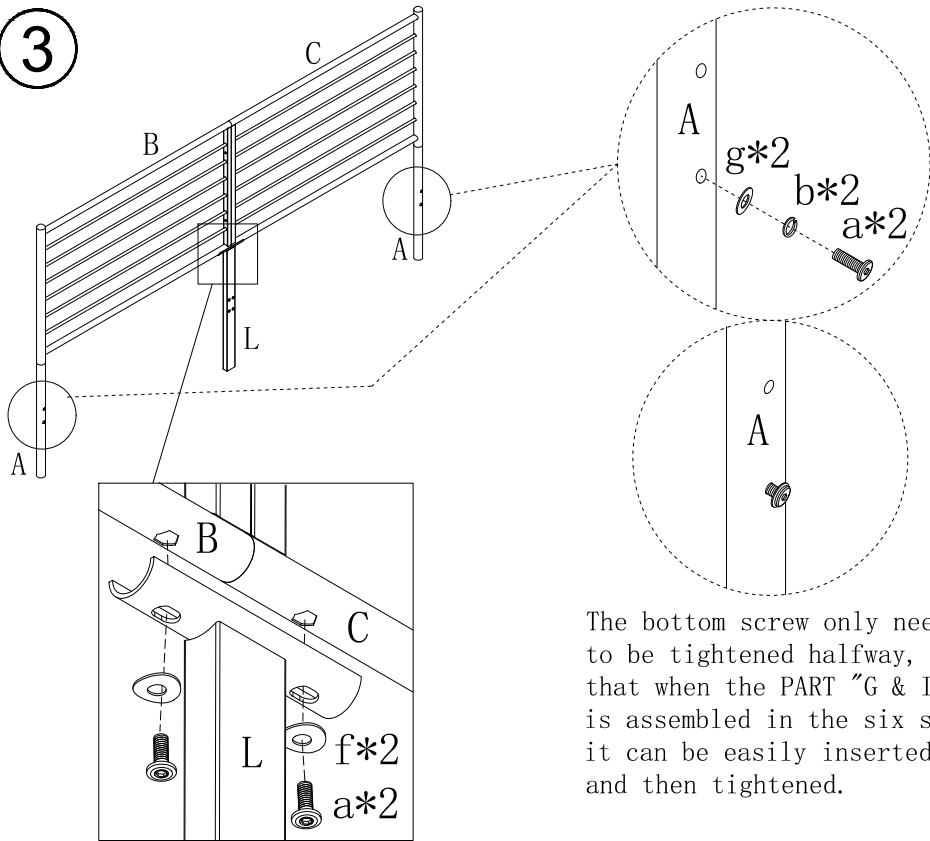
A		B		C		D		E		F		G					
																	
2pcs		1pc		1pc		2pcs		4pcs		20pcs		2pcs					
H		I		J		K		L		M		N		O		P	
																	
2pcs		2pcs		1pc		1pc		1pc		1pc		2pcs		1pc		1pc	
a	b	c	d	e	f	g	h	i	Spare parts								
																	
M6*15 22pcs	4pcs	M6*40 15pcs	M6*60 4pcs	M4 2pcs	M6 12pcs	M6 4pcs	M6*30 4pcs	M6*20 4pcs	4pcs								

3

NOTE: PLEASE DO NOT TIGHTEN THE BOLTS UNTIL ALL FIXED

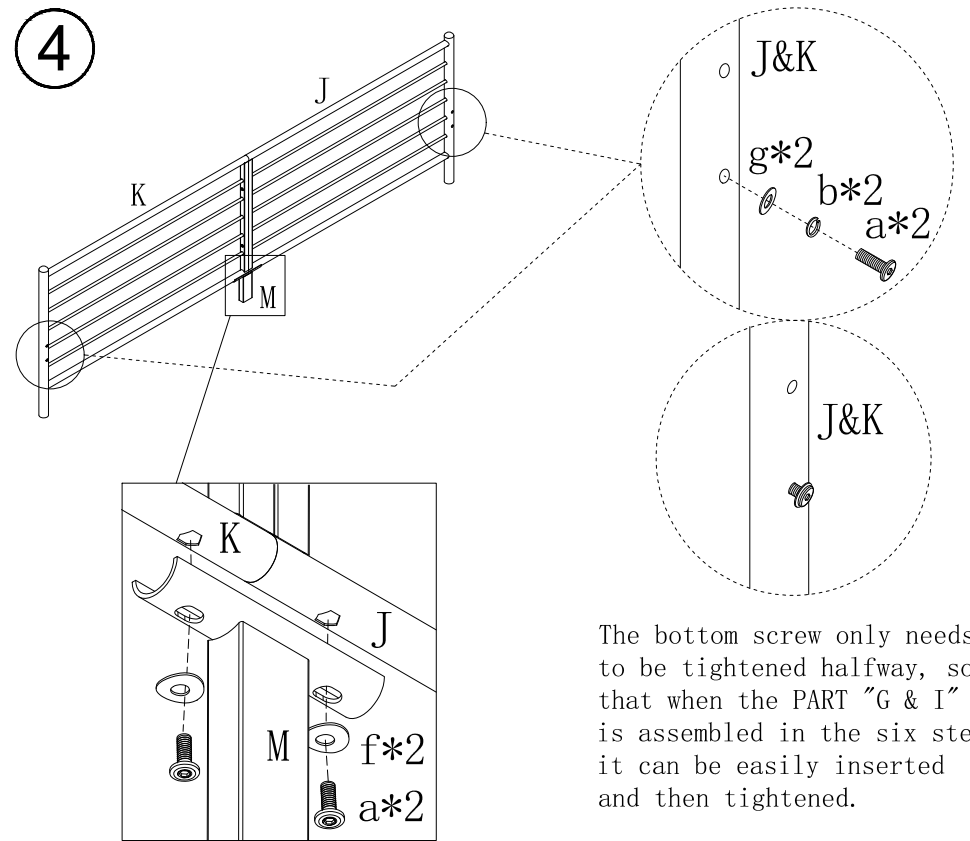


3



The bottom screw only needs to be tightened halfway, so that when the PART "G & I" is assembled in the six step, it can be easily inserted and then tightened.

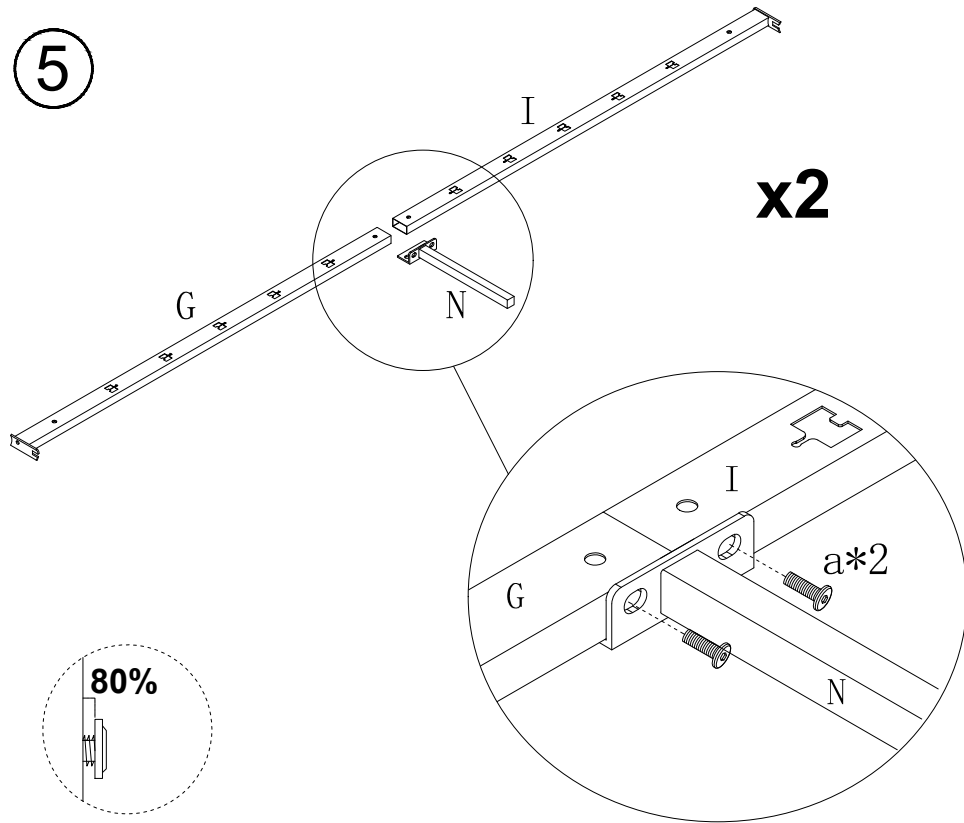
4



The bottom screw only needs to be tightened halfway, so that when the PART "G & I" is assembled in the six step, it can be easily inserted and then tightened.

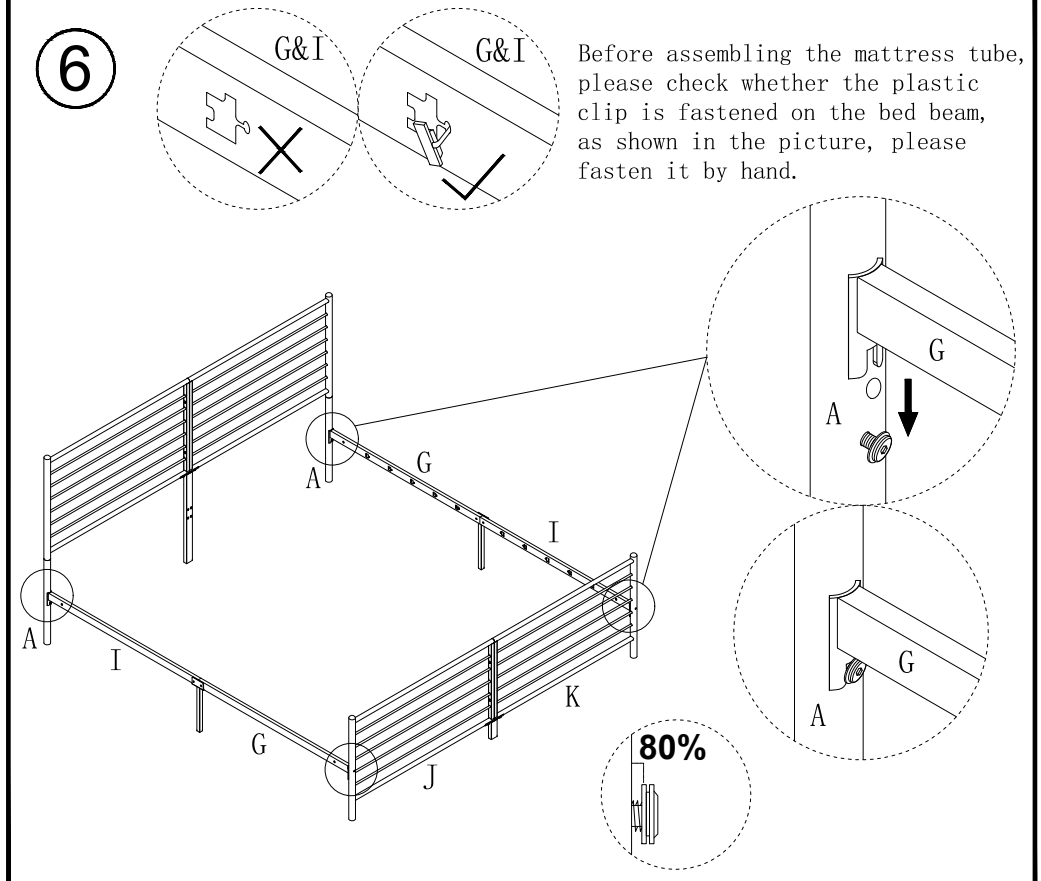
5

5



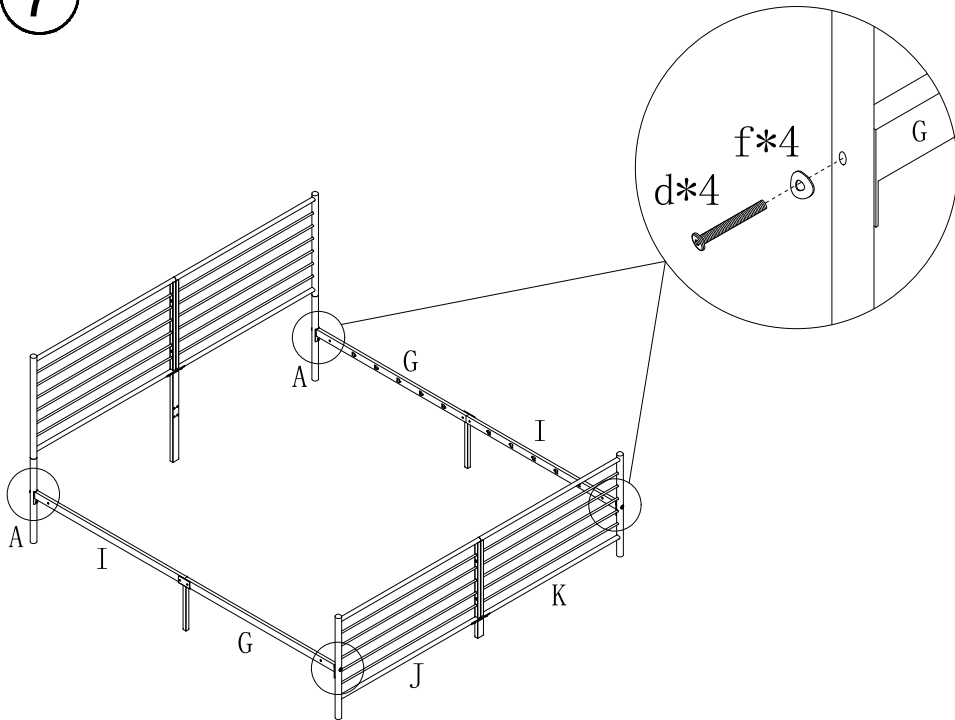
Tighten each screw to 80% of the final torque.

6

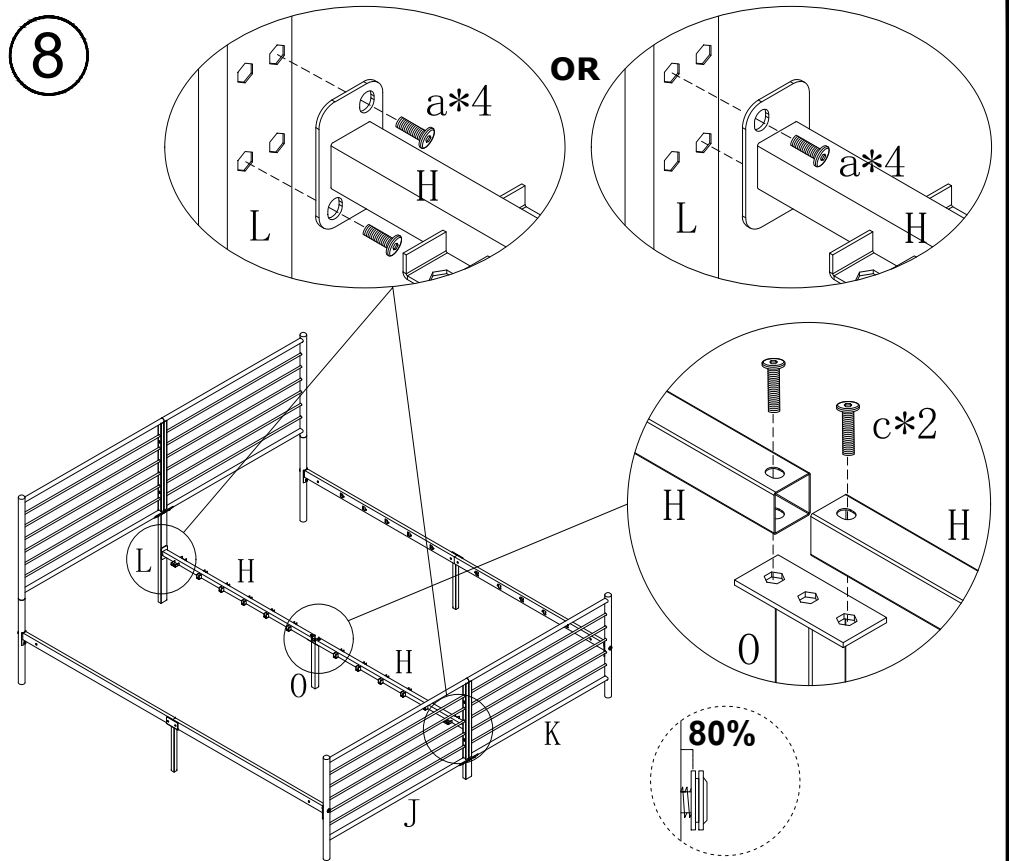


6

7

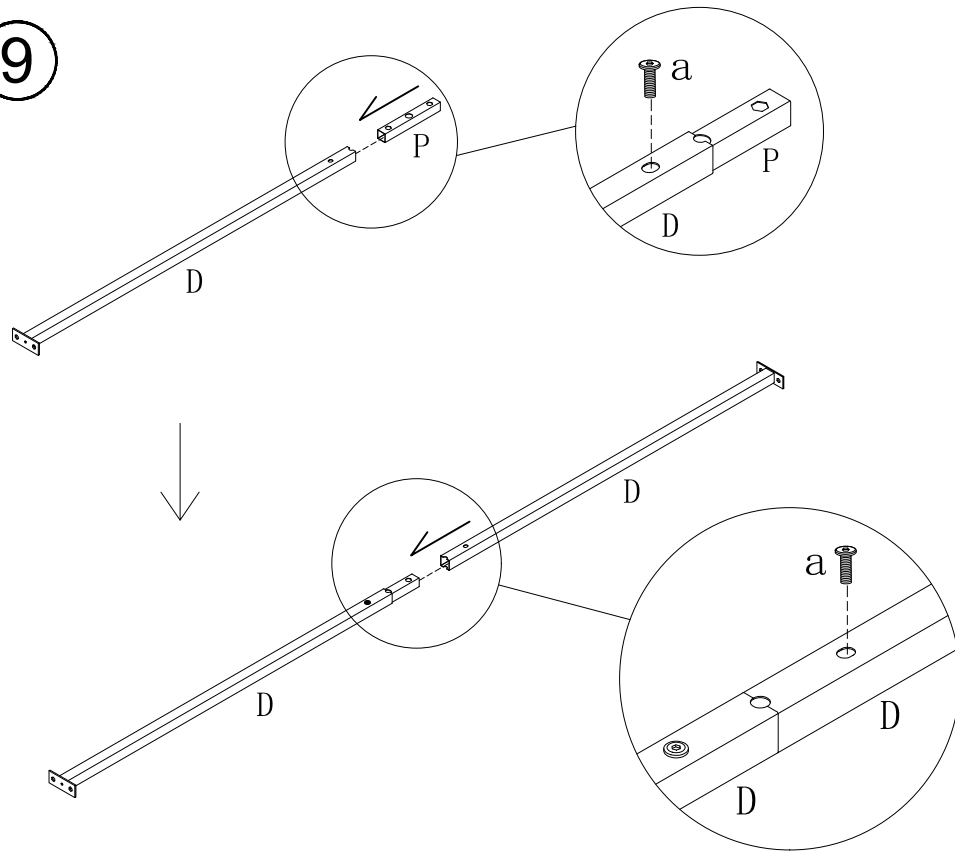


8

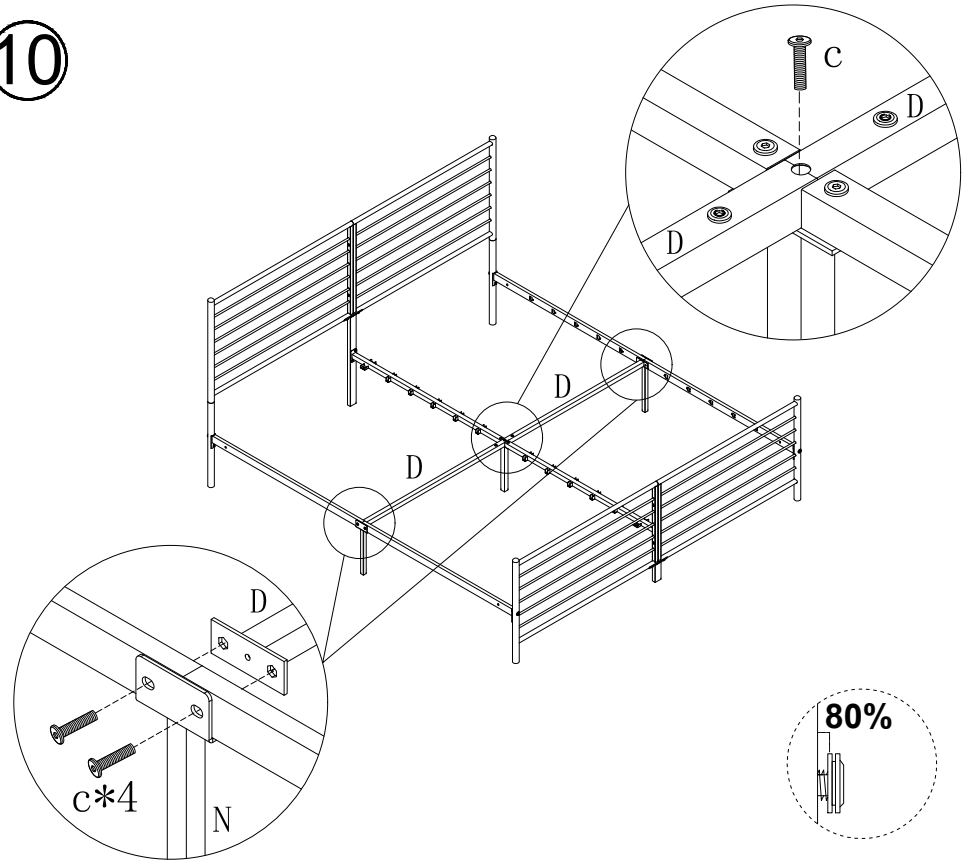


7

9

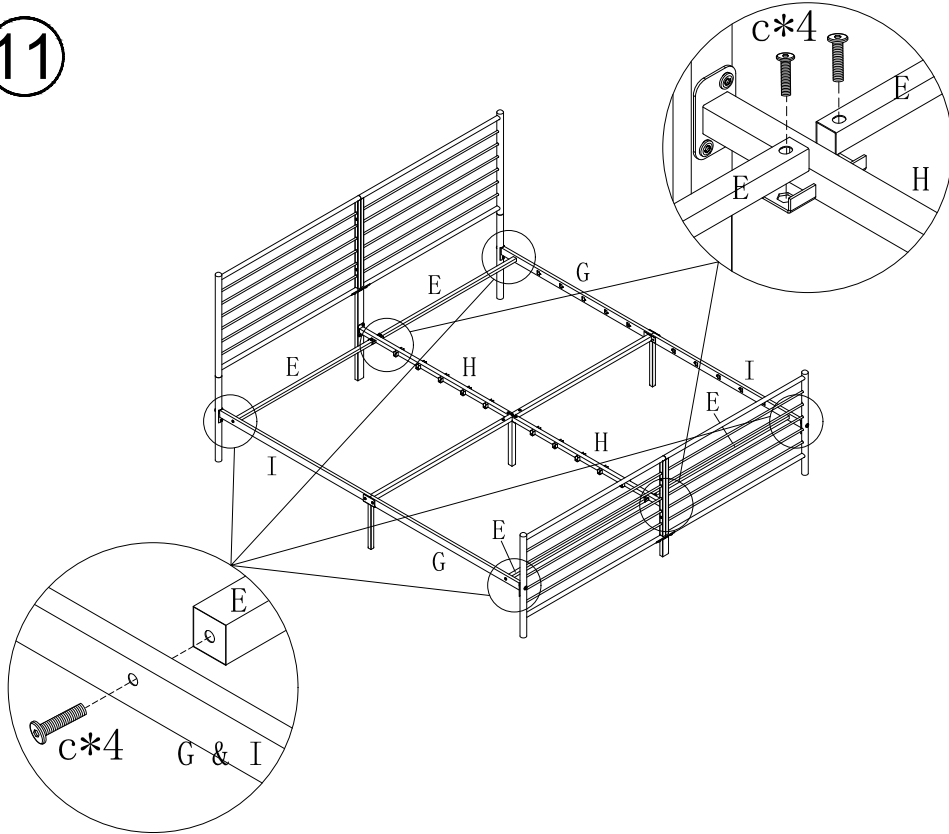


10

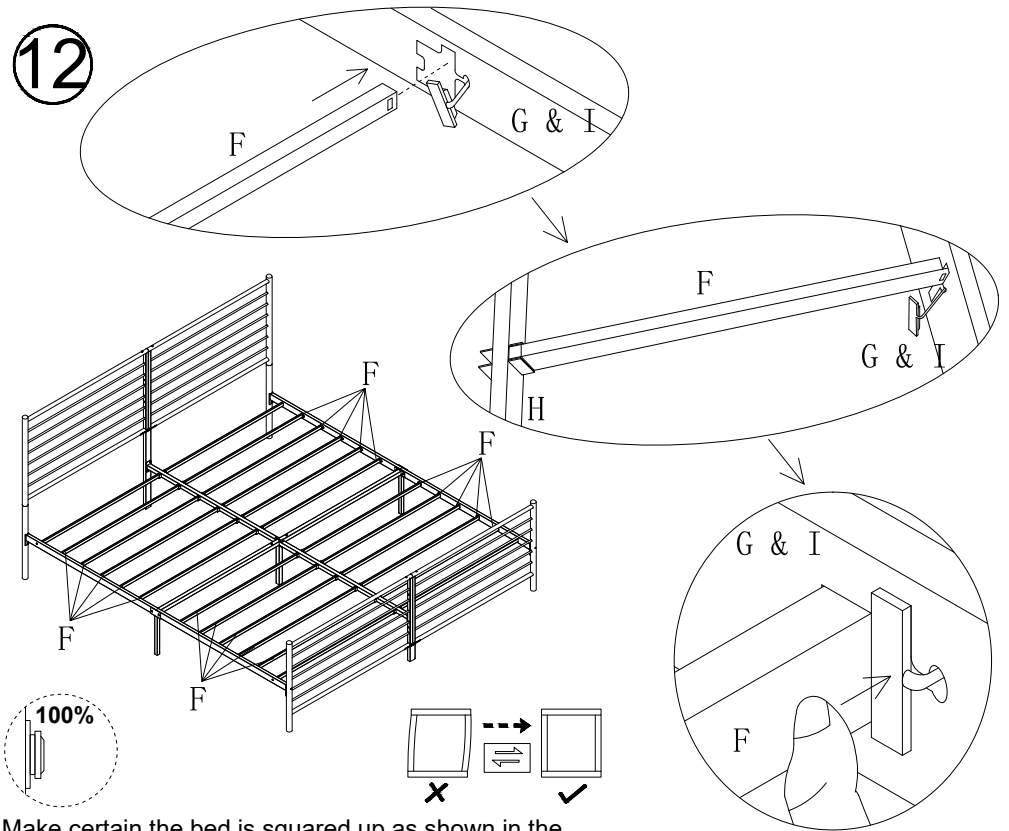


80%

11



12



Make certain the bed is squared up as shown in the diagram then tighten all bed assembly bolts 100%.