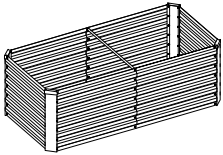
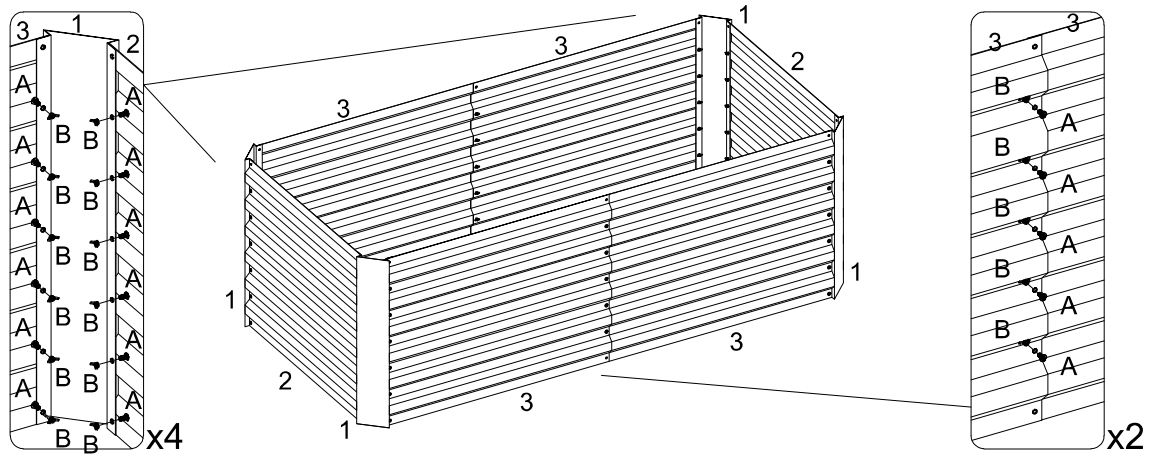


# Assembly Instructions

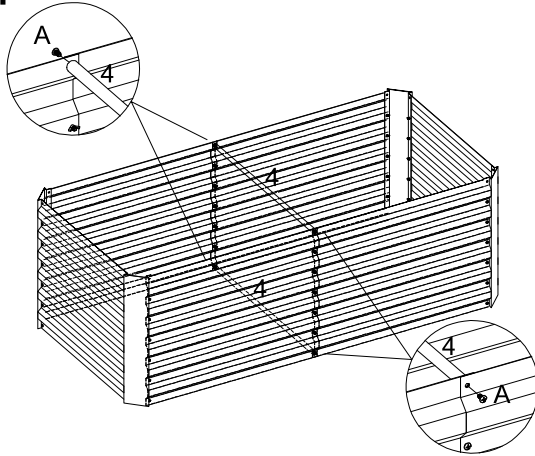


## Step1:

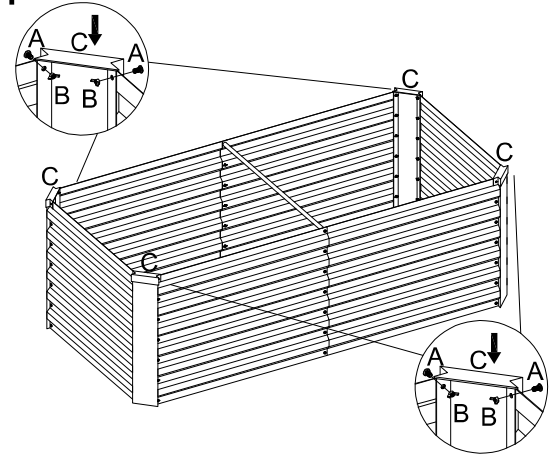


No.	Parts	Qty
1		4pcs
2		2pcs
3		4pcs
4		4pcs

## Step2:



## Step3:



A	M6x10MM	70pcs
B		66pcs
C		4pcs

**47.2X22.8"X31.5"**

