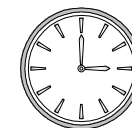
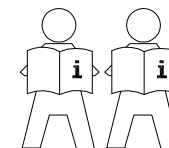
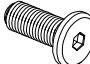
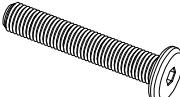

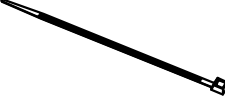



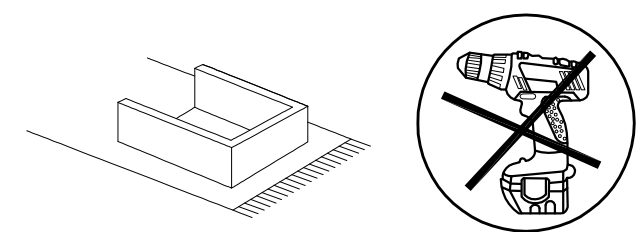
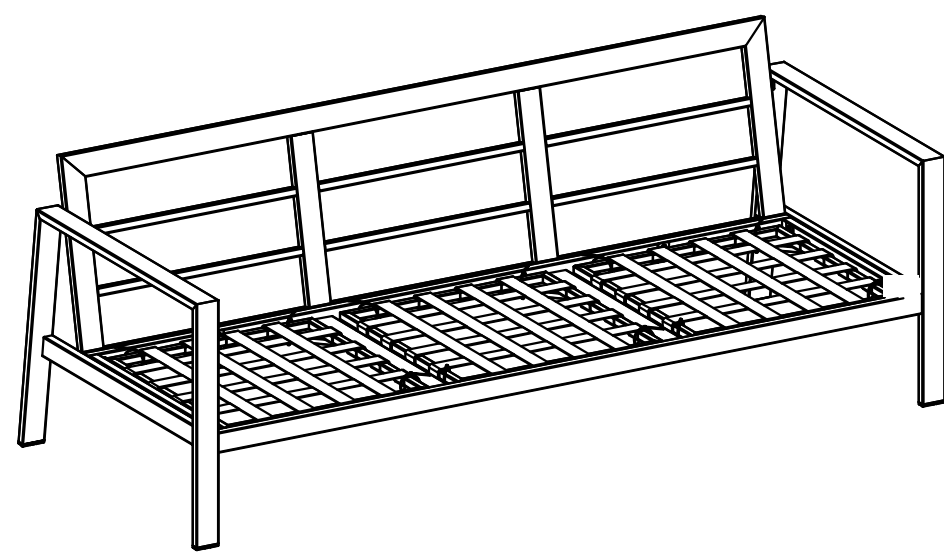
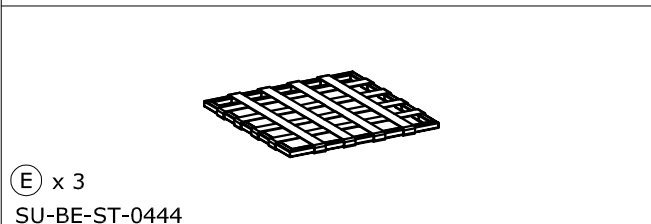
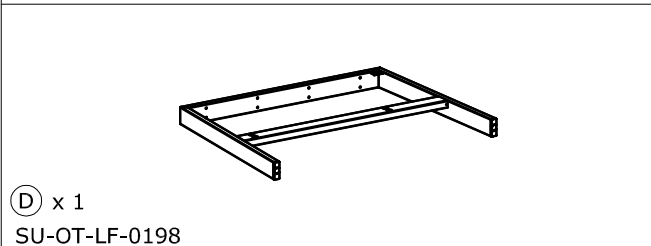
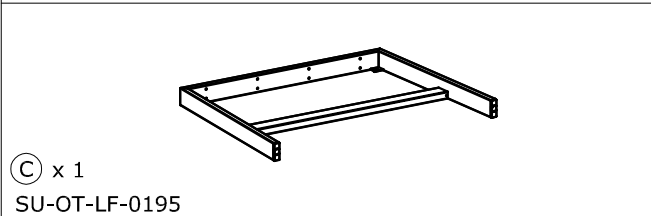
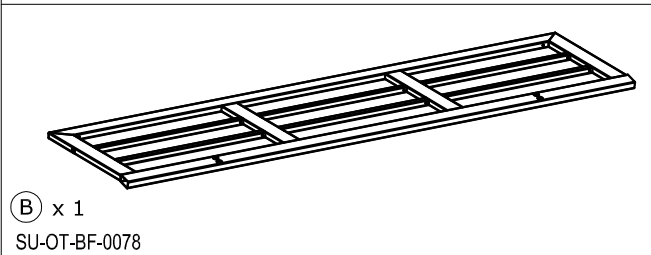
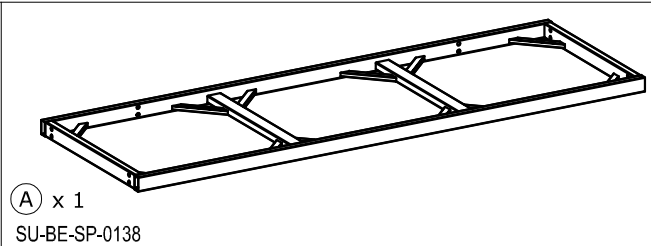
ASSEMBLY INSTRUCTION


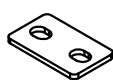
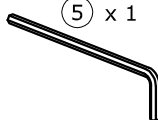


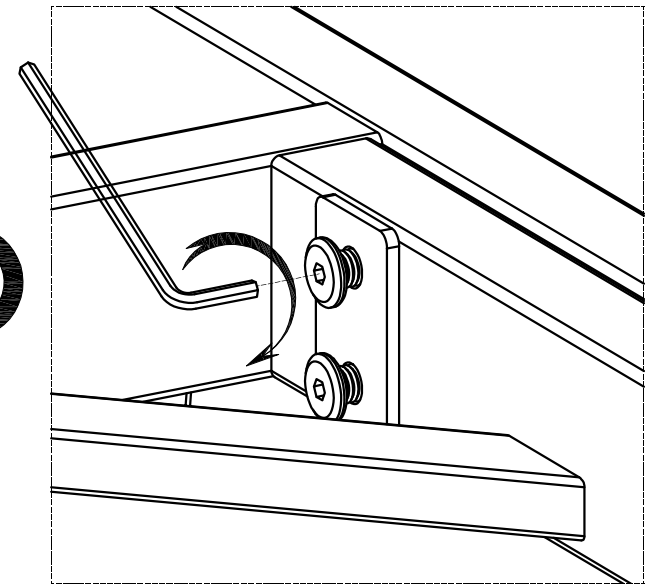
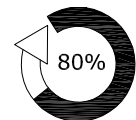
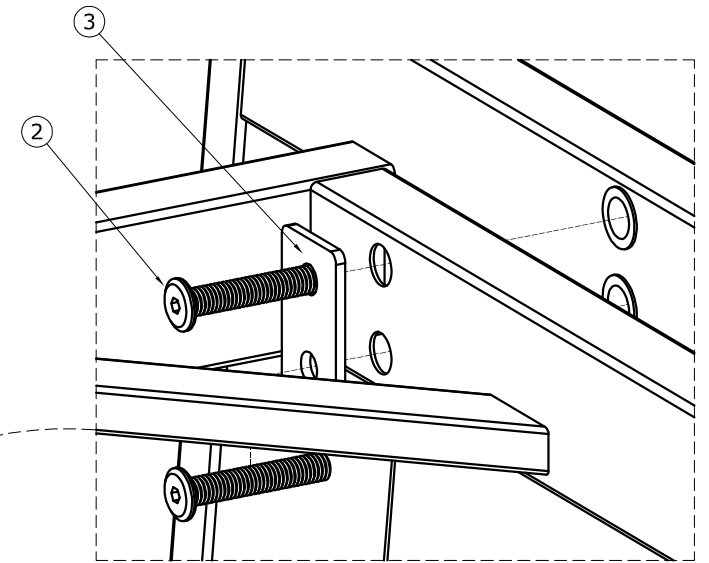
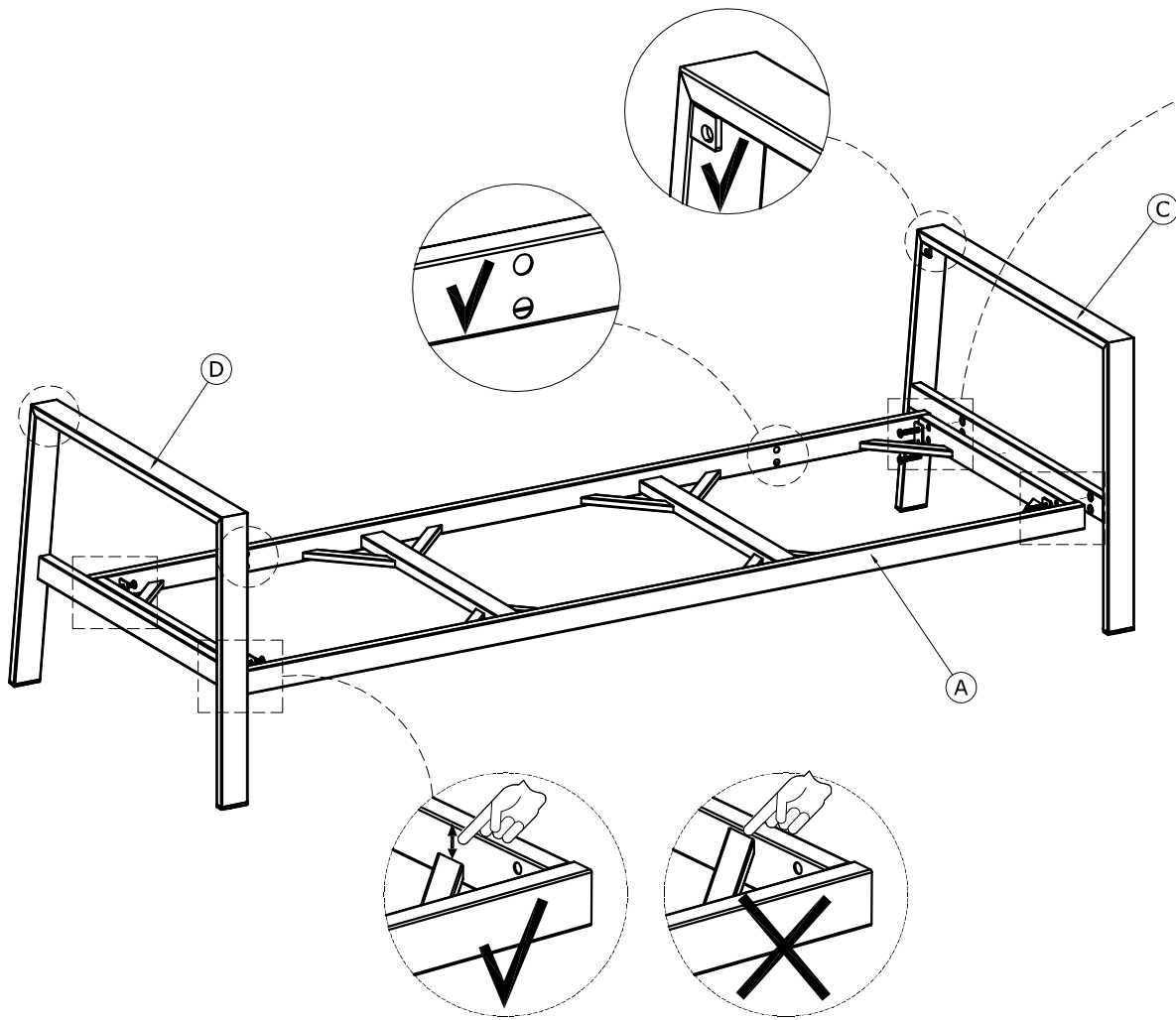
20 min

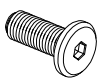
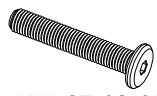

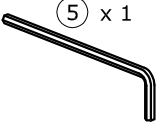


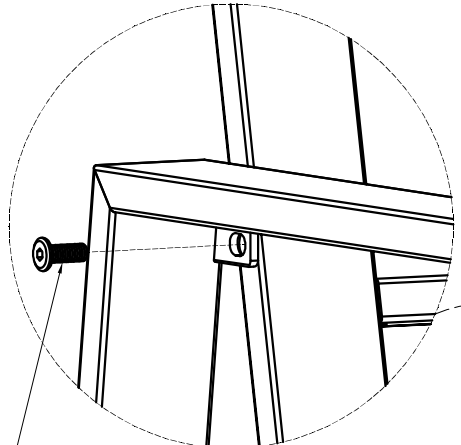
- ① x 2

 HW-ST-02-046
 (8 x 20)
- ② x 12

 HW-ST-02-055
 (8 x 45)
- ③ x 6

 HW-ST-04-492
 (50 x 30 x 3)
- ④ x 12

 MR06-20-4302504
 (5x250)
- ⑤ x 1

 HW-ST-18-001
 (4x98)



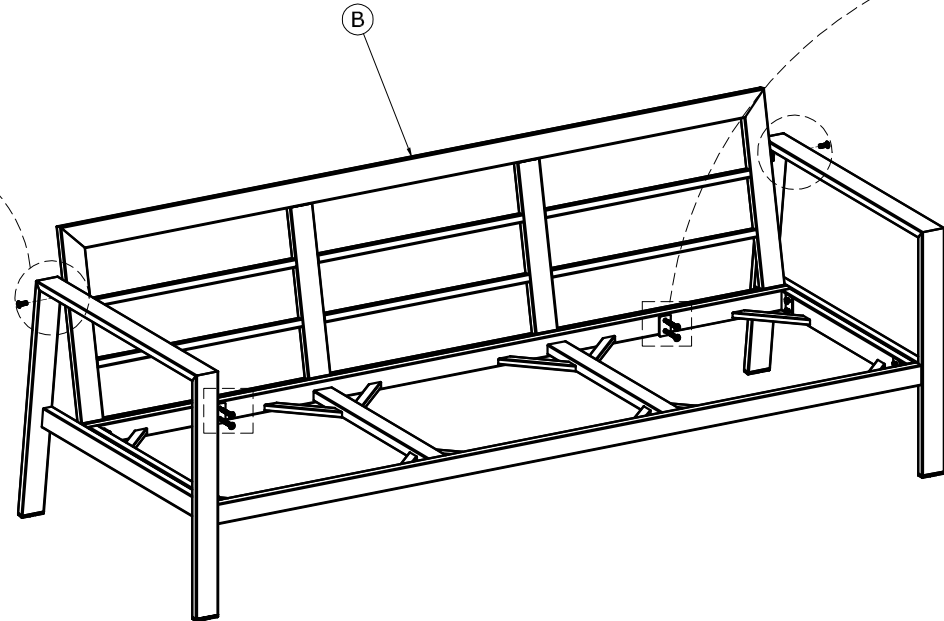
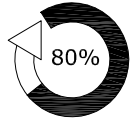
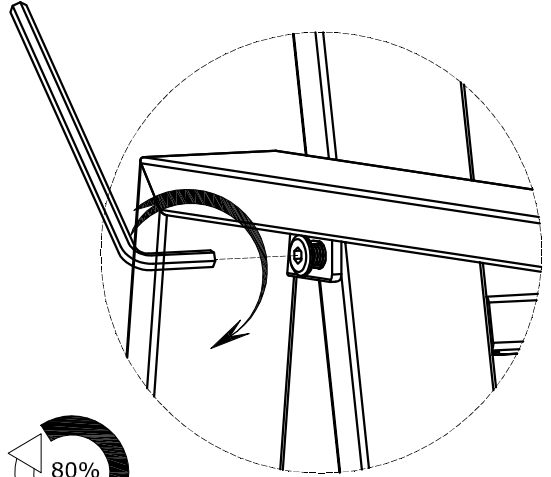
<p>② x 8</p>  <p>HW-ST-02-055 (8 x 45)</p>	<p>③ x 4</p>  <p>HW-ST-04-492 (50 x 30 x 3)</p>	<p>⑤ x 1</p>  <p>HW-ST-18-001 (4x98)</p>
---	--	---



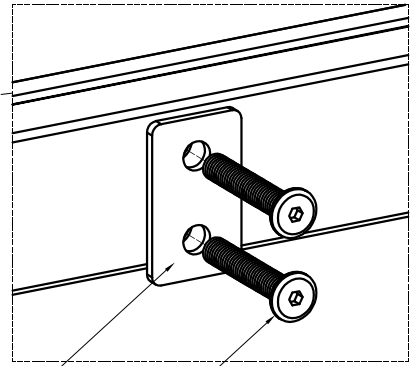
<p>① x 2</p>  <p>HW-ST-02-046 (8 x 20)</p>	<p>② x 4</p>  <p>HW-ST-02-055 (8 x 45)</p>	<p>③ x 2</p>  <p>HW-ST-04-492 (50 x 30 x 3)</p>	<p>⑤ x 1</p>  <p>HW-ST-18-001 (4x98)</p>
---	---	--	---



①



B



③

②

