

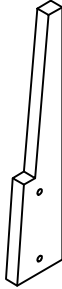


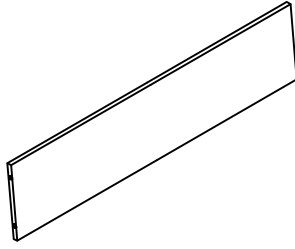
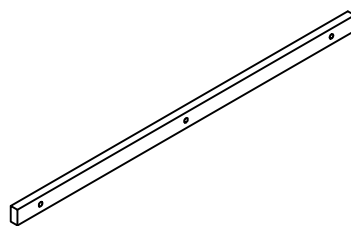
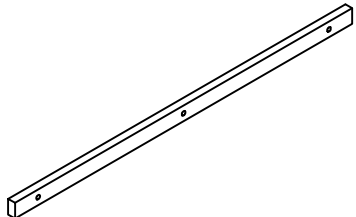
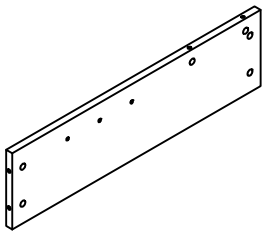
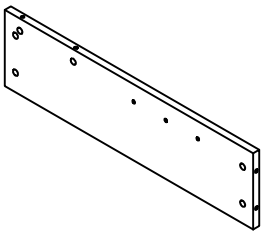
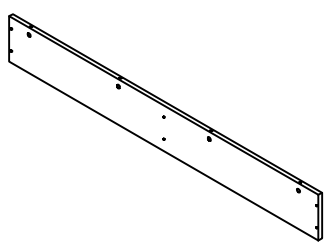
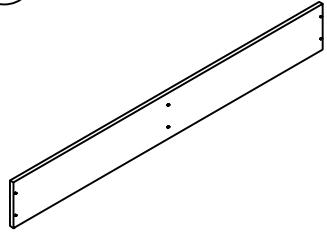
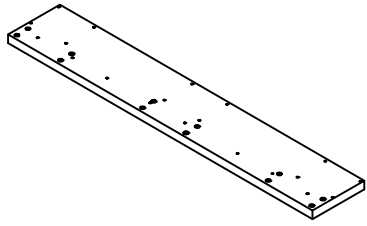
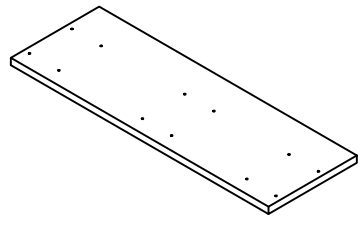
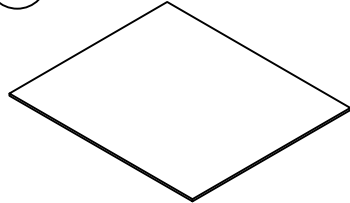

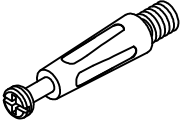
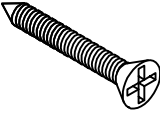


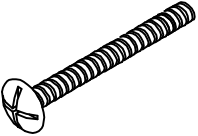
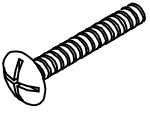



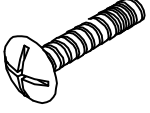
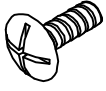
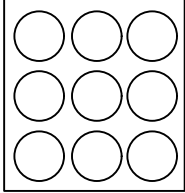
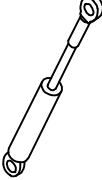

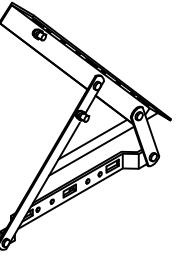
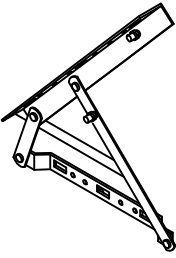
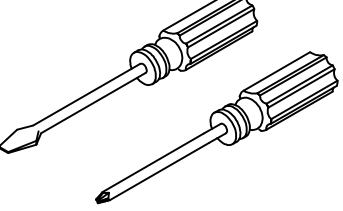


Assembly Guide of  
S2112K Sofa-2 Seater

# PARTS LIST

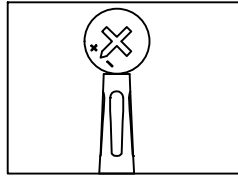
<p>1</p> 	<p>2</p> 	<p>3</p> 	<p>4</p> 
left back cube=1	right back cube=1	middle back cube=1	left back rail panel=1
<p>5</p> 	<p>6</p> 	<p>7</p> 	<p>8</p> 
right back rail panel=1	back panel=1	744 long brace=4	716 long brace=4
<p>9</p> 	<p>10</p> 	<p>11</p> 	<p>12</p> 
side panel=2	right side panel=1	rear side panel=1	front side panel=1
<p>13</p> 	<p>14</p> 	<p>15</p> 	
rear panel=1	front panel=1	bottom panel=2	

# HARDWARE LIST

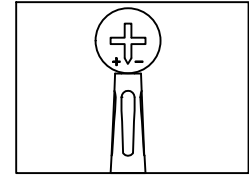
<p>(A)</p> 	<p>(B)</p> 	<p>(C)</p> 	<p>(D)</p> 
cam locks = 24 pcs	rods = 24 pcs	4*25 self-tapping screws=30	rubber pads=16
<p>(E)</p> 	<p>(F)</p> 	<p>(G)</p> 	<p>(H)</p> 
8mm gaskets=12	8*70 big flat screws = 6	8*50 big flat screws =4	8mm hammer nuts=10
<p>(I)</p> 	<p>(J)</p> 	<p>(K)</p> 	<p>(L)</p> 
8*35 big flat screws=2	6mm gaskets=20	6*25 big flat screws=4	6*16 big flat screws=15
<p>(M)</p> 	<p>(R)</p> 	<p>(O)</p> 	<p>(P)</p> 
hole stickers=42	pneumatic rod =3	rubber protector=4	left pneumatic rod =2
<p>(Q)</p> 	 <p style="text-align: center;">phillips head screw driver required for assemble---not include</p>		
right pneumatic rod =1			



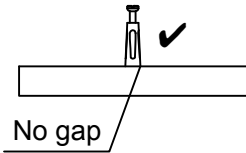
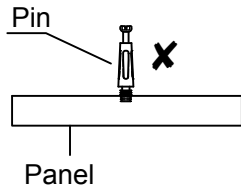
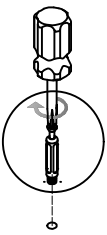
Bolt



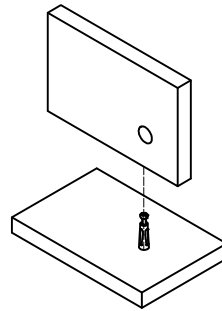
Adjust connecting piece direction until it is properly lined up with the hole.



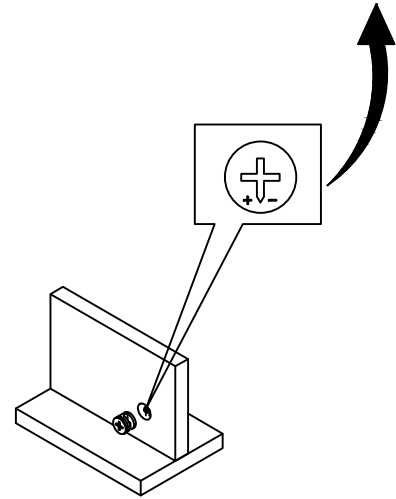
Insert bolt when connecting piece direction is properly lined up.



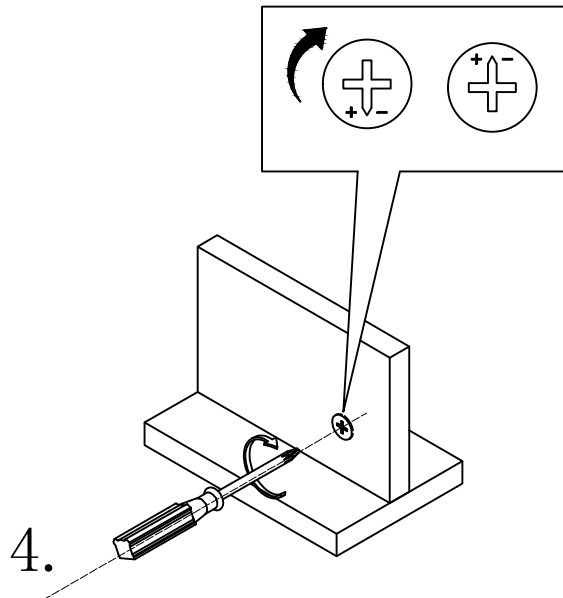
1.



2.

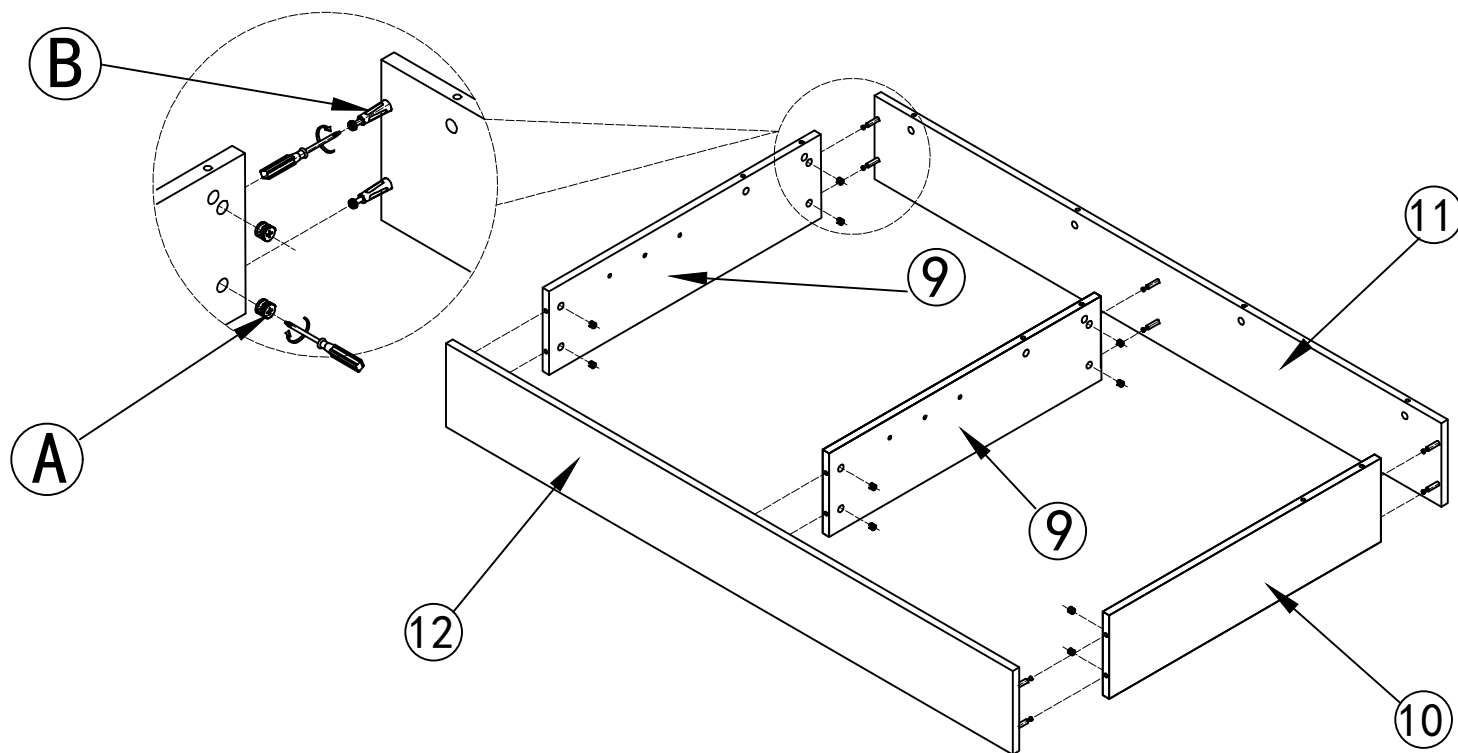


3.



4.

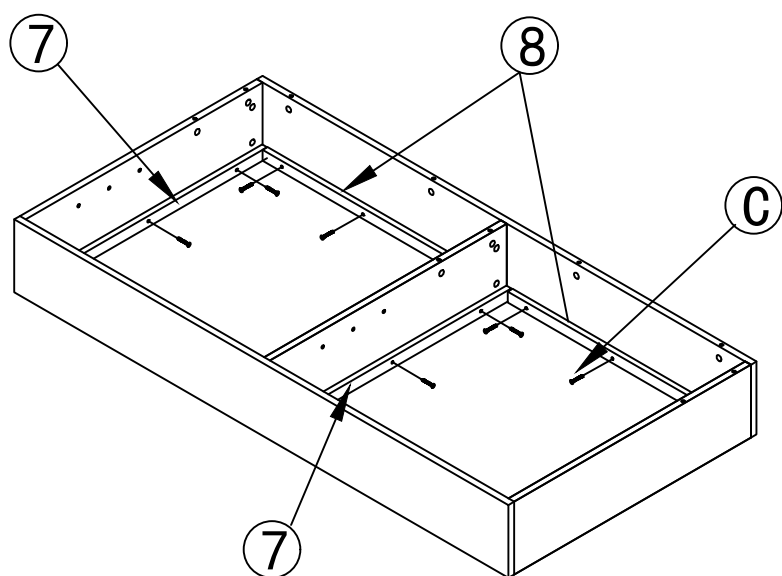
## Step 1



### 1. Bottom frame installation:

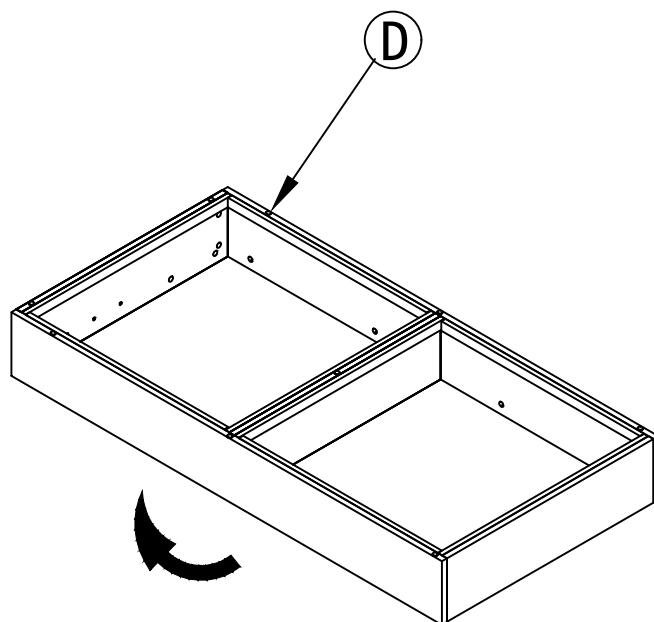
Use A=12, B=12, to connect panel ⑨⑩⑪⑫.

## Step 2



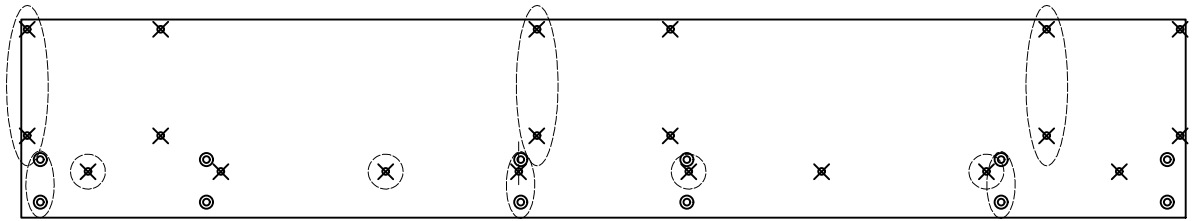
### 2. Brace installation:

Use C=24 to install ⑦⑧.

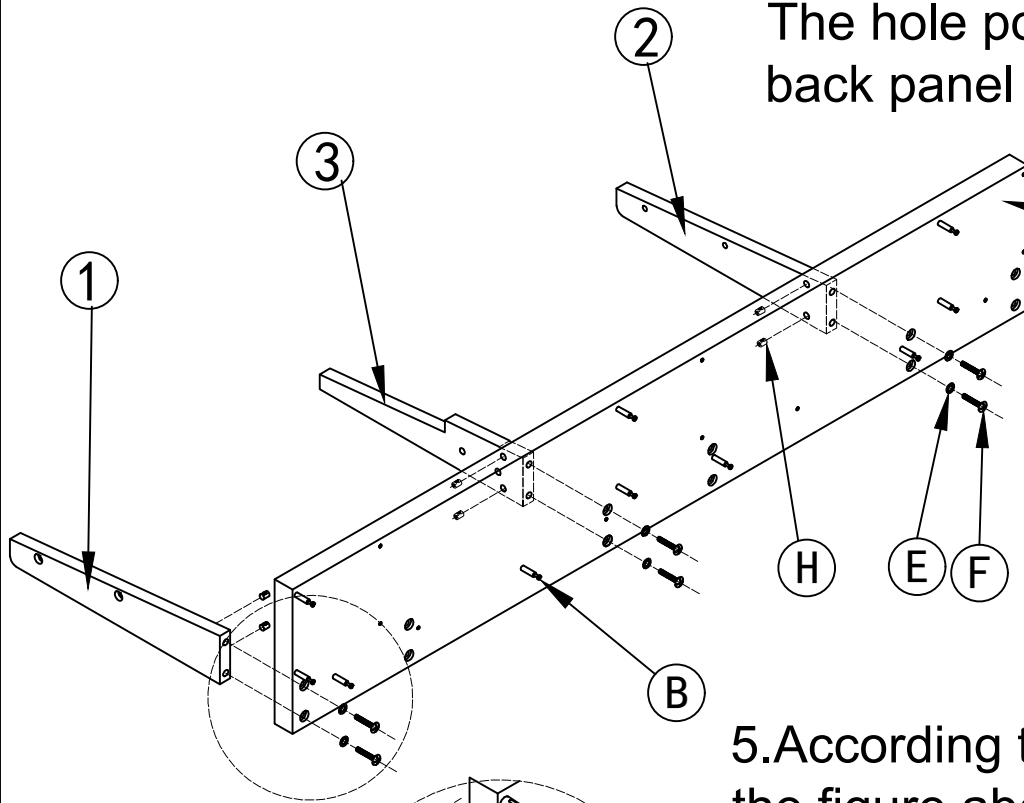


3. Flip the bottom frame, put 16 pcs (D) on the edge of the frame.

Step 3



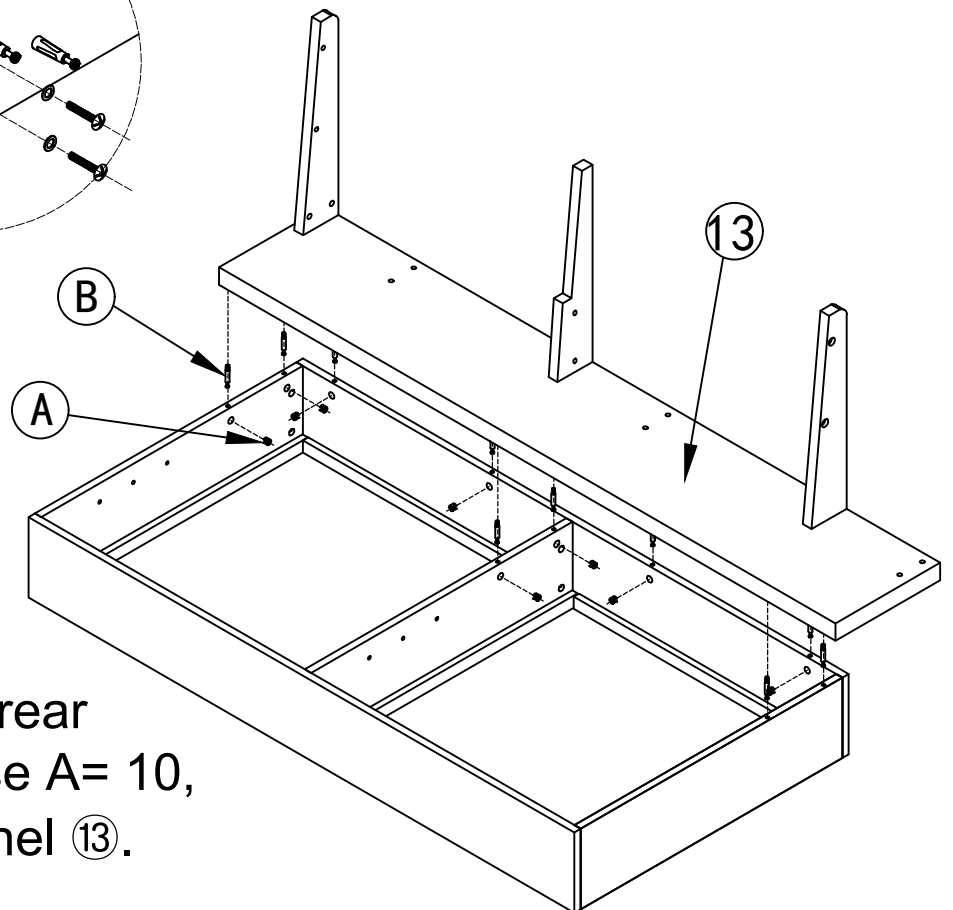
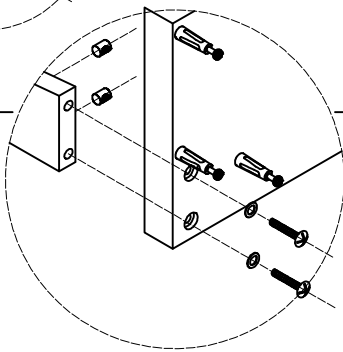
The hole position map marking of back panel of this right side sofa.



4. Back cube and back rail panel installation: Use E=6, F=6 to connect panel ① ② ③ ⑬.

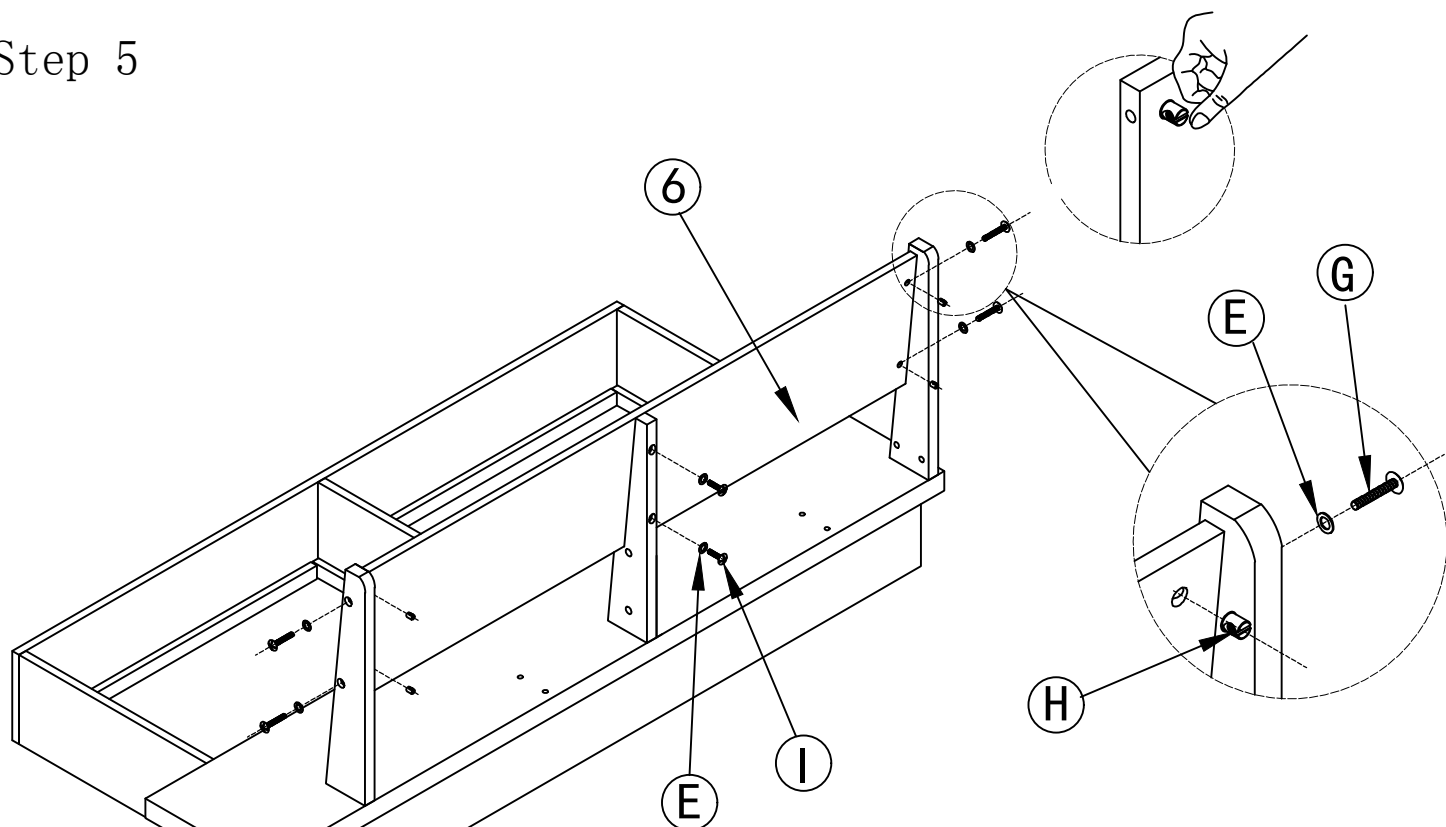
5. According to the marking holes in the figure above, install 10 pcs(B).

Step 4



6. Bottom frame and rear panel installation: Use A= 10, B=10, to connect panel ⑬.

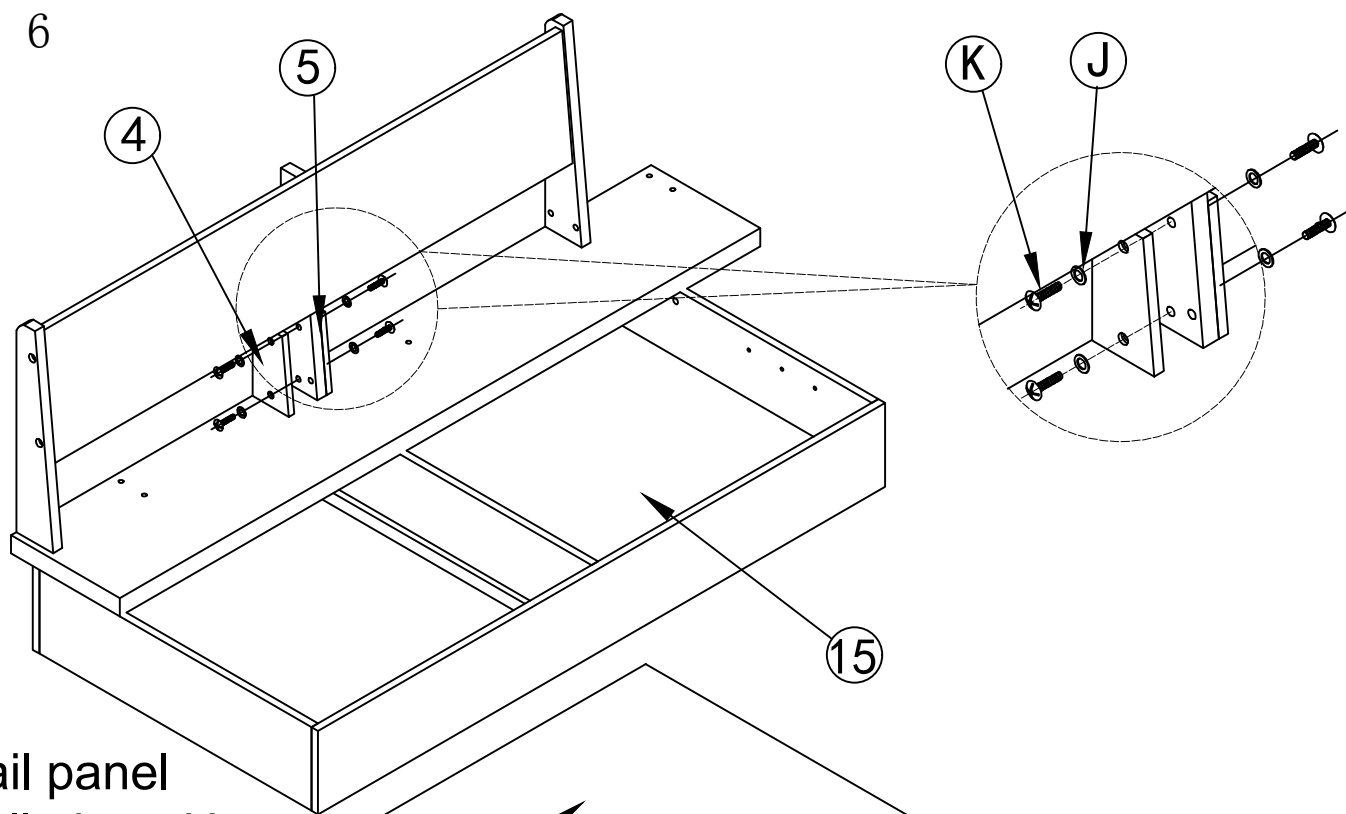
## Step 5



7. Back panel installation:

Use E=6, G=4, H=4, I=2 to install panel ⑥.

## Step 6

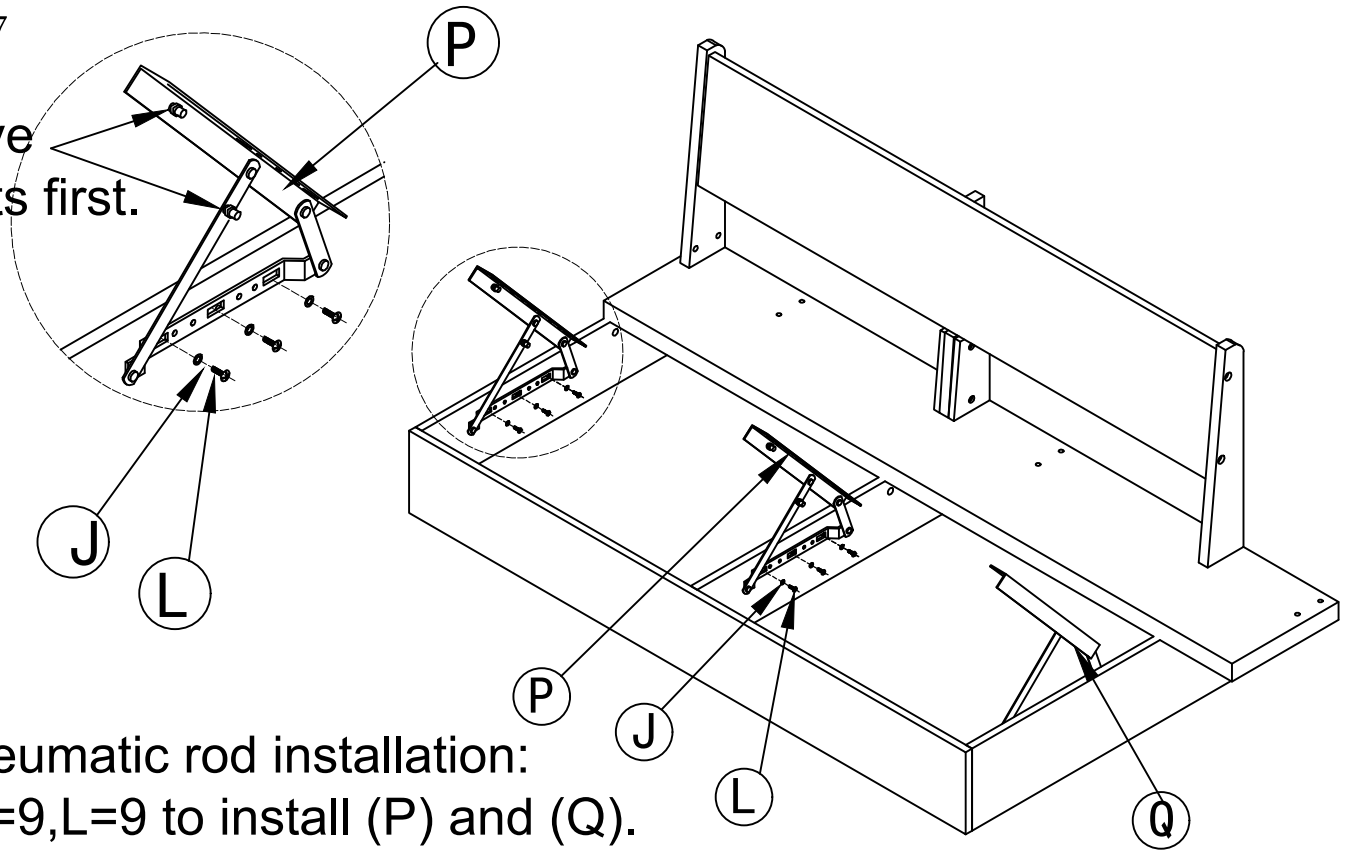


8. Rail panel installation: Use J=4, K=4 to install panel ④ ⑤.

9. Put in the ⑮ bottom panel.

Step 7

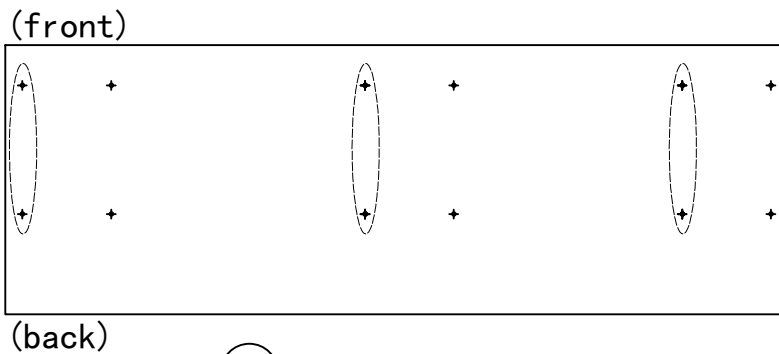
Remove the nuts first.



10. Pneumatic rod installation:  
Use J=9, L=9 to install (P) and (Q).

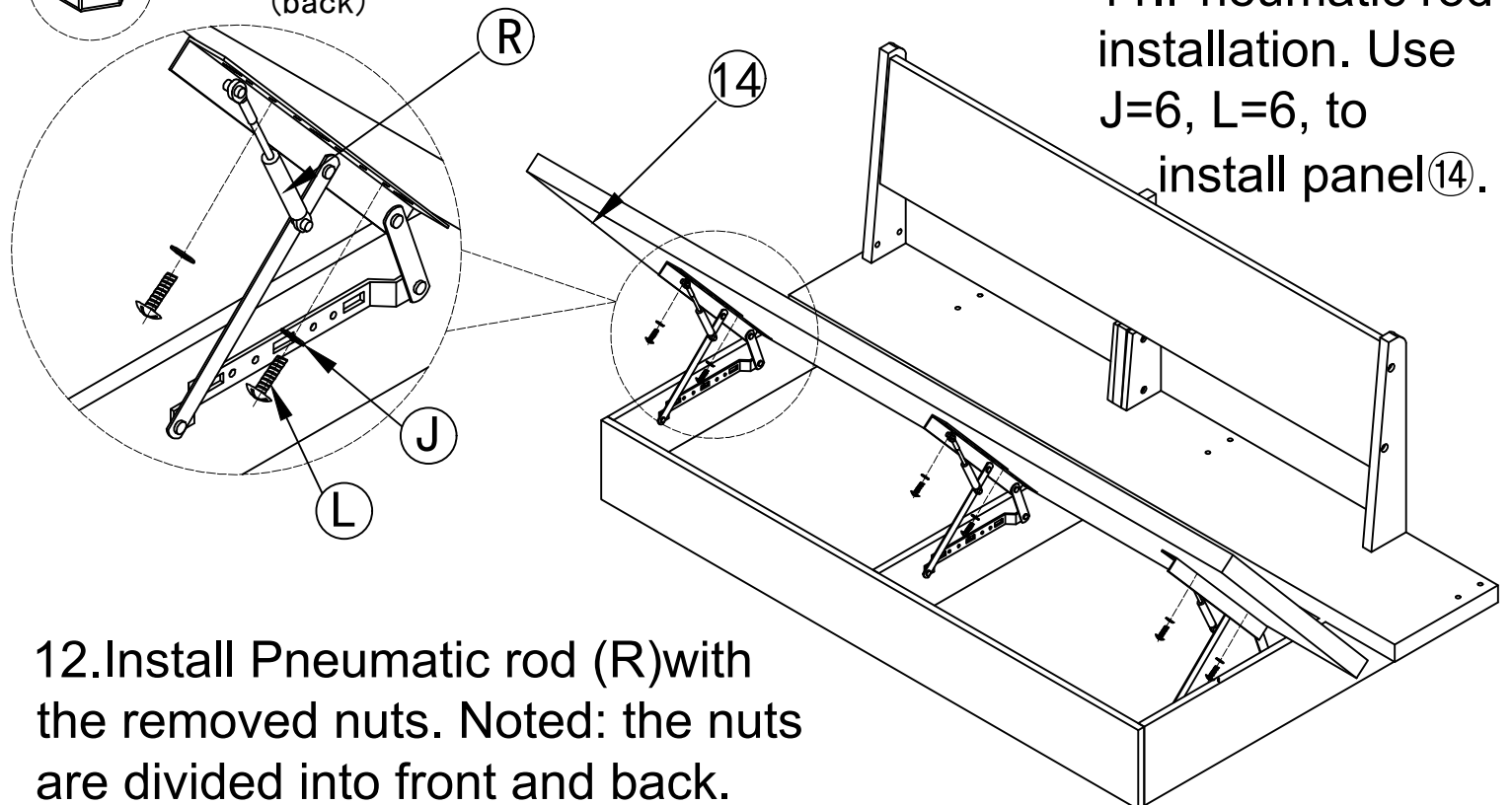
Step 8

This side faces out.



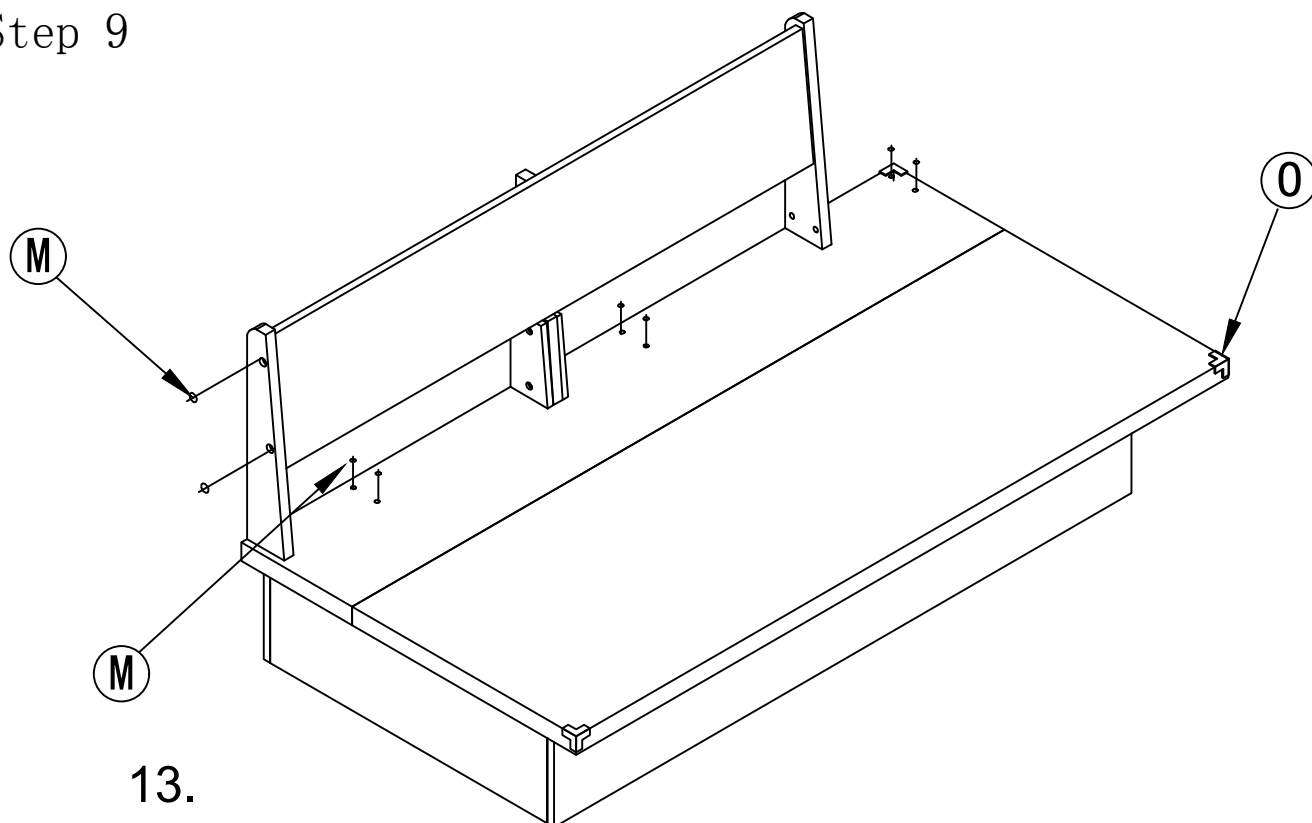
The hole position marking of front panel of this right side sofa.

11. Pneumatic rod installation. Use J=6, L=6, to install panel ⑭.



12. Install Pneumatic rod (R) with the removed nuts. Noted: the nuts are divided into front and back.

## Step 9



13.

- (1) Use M=6 to cover the hole of back cube.
- (2) Use M=6 to back panel.
- (3) Use O=4 to stick the four sharp corners.

## Step 10

