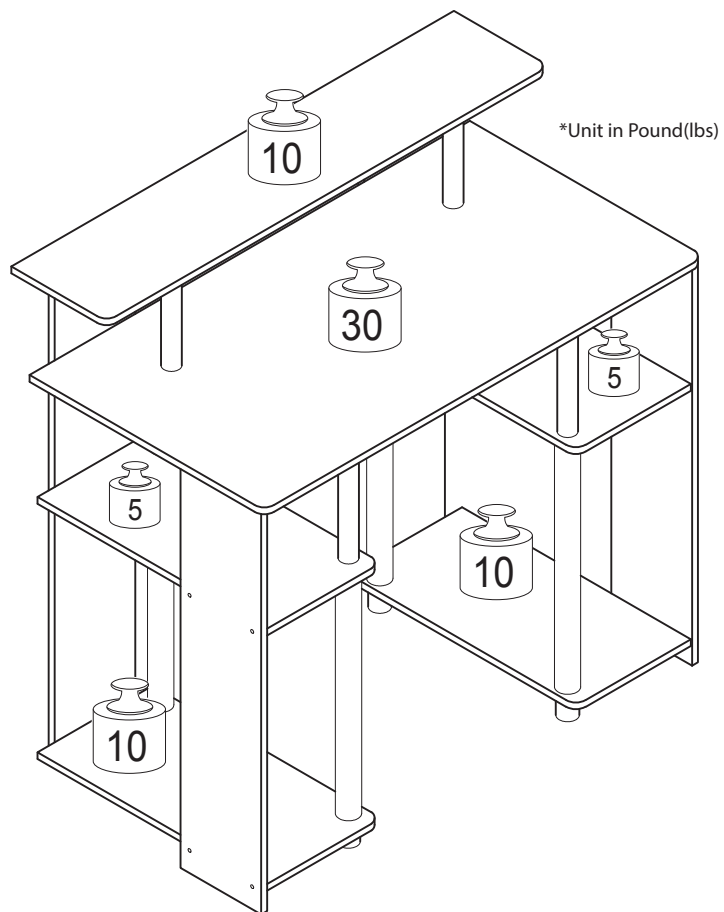


Recommended Maximum Weight



WARNING:

>This unit has been designed to support the maximum loads shown. Exceeding these load limits could cause sagging, instability, product collapse, and/or serious injury.

>DO NOT allow children to climb on unit.

>Put heavier items on lower shelves.

Assembly Instruction

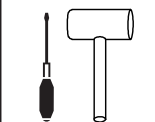
Simple Design Computer Writing Desk

00:30

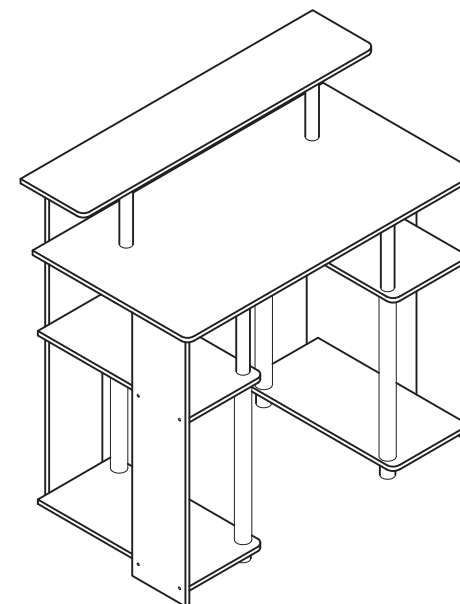
Approx. 30 minutes



















Recomm. 2 Person

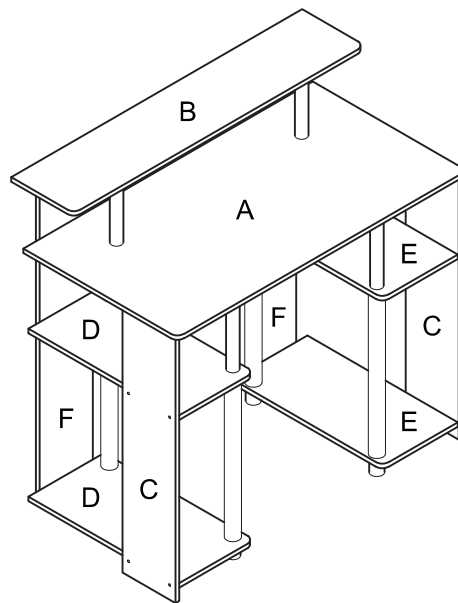


Tool Required



No	Hardware List	Qty
1	Mini Fix Bolt+Cam  1A 1B	4pcs
2	C/B Screw 	20pcs
3	Dowel 	8pcs
4	Nail Leg 	8pcs
5	Long Round Pole 	4pcs
6	Middle Round Pole 	4pcs
7	Short Round Pole 	2pcs
8	Round Leg 	4pcs
9	Small Leg 	2pcs
10	PVC Round Ring 	2pcs

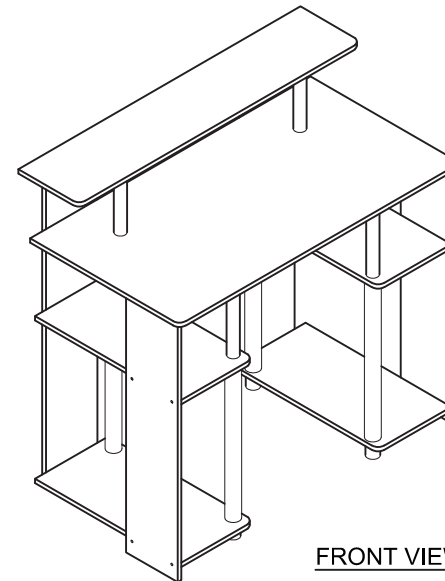
No	Parts List	Qty
A	Top Panel 	1pc
B	Upper Top Panel 	1pc
C	Side Panel 	2pcs
D	Left Shelf Panel 	2pcs
E	Right Shelf Panel 	2pcs
F	Back Panel 	2pcs



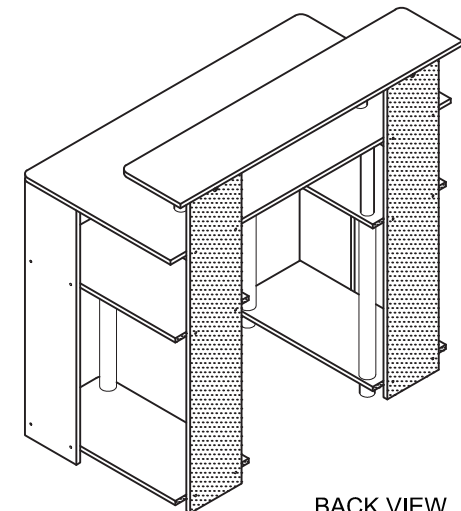
USEFUL HINTS BEFORE YOU START:

1. Read each step carefully before starting.
2. It is important that each step is performed in correct order to avoid difficulties.
3. Identify, sort and count the parts before assembly.
4. Assemble your furniture on packaging cardboard to prevent scratch or damage.
5. Clean the product with mild cleanser using soft damped cloth. Do not use harsh or abrasive cleanser.
6. Using incompatible hardware might cause damage to product.

FINISH VIEW

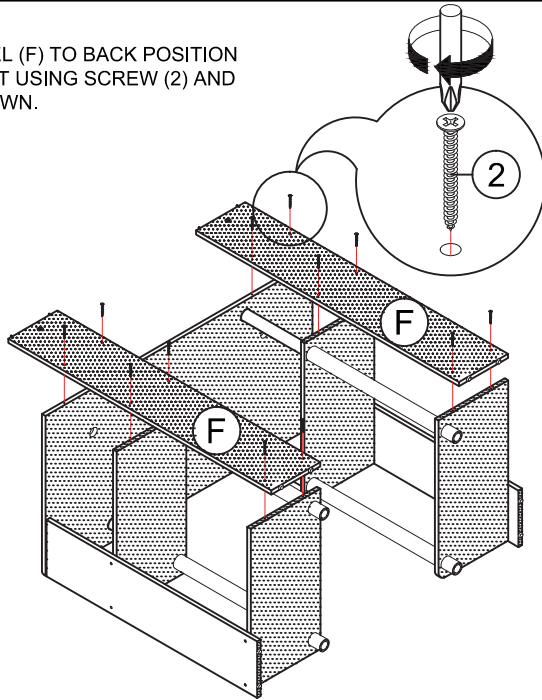


FRONT VIEW

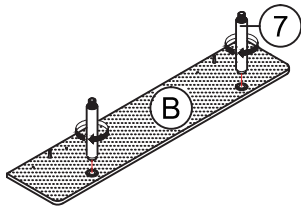


BACK VIEW

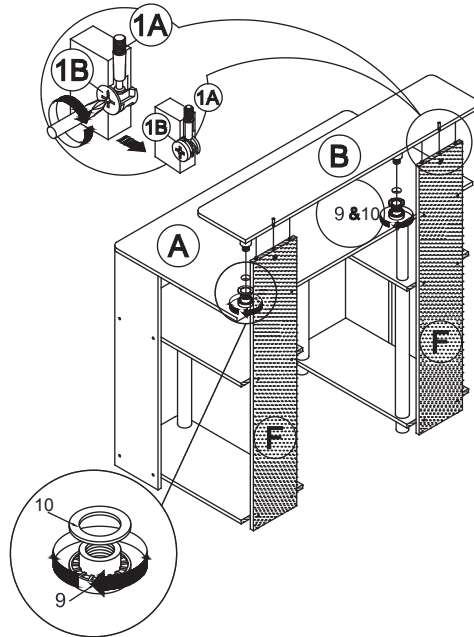
STEP 7
ATTACH BACK PANEL (F) TO BACK POSITION OF ASSEMBLED UNIT USING SCREW (2) AND TIGHTEN IT, AS SHOWN.



STEP 8
ATTACH SHORT ROUND POLES (7) TO PANEL (B) AND TIGHTEN IT, AS SHOWN.



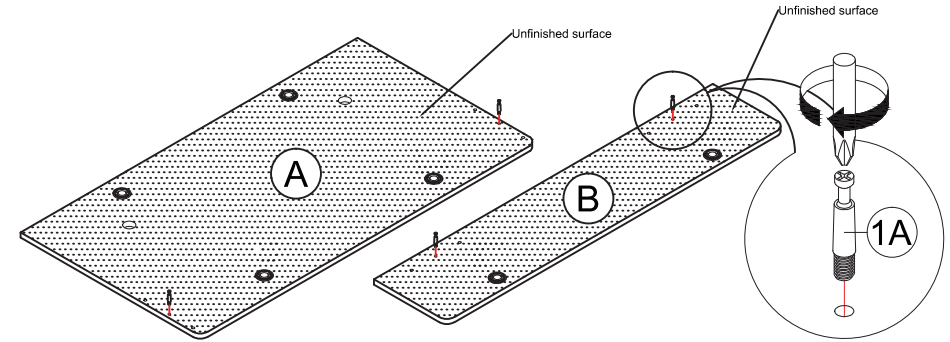
STEP 9
- ATTACH SHORT ROUND POLE (7) TO PANEL (A) USING SMALL LEG (9) TOGETHER WITH PVC ROUND RING (10) AND TIGHTEN IT, AS SHOWN.
- ATTACH PANEL (B) TO PANEL (F) USING MINI FIX BOLT (1A) & CAM (1B) AND TIGHTEN IT, AS SHOWN.



ASSEMBLY INSTRUCTION

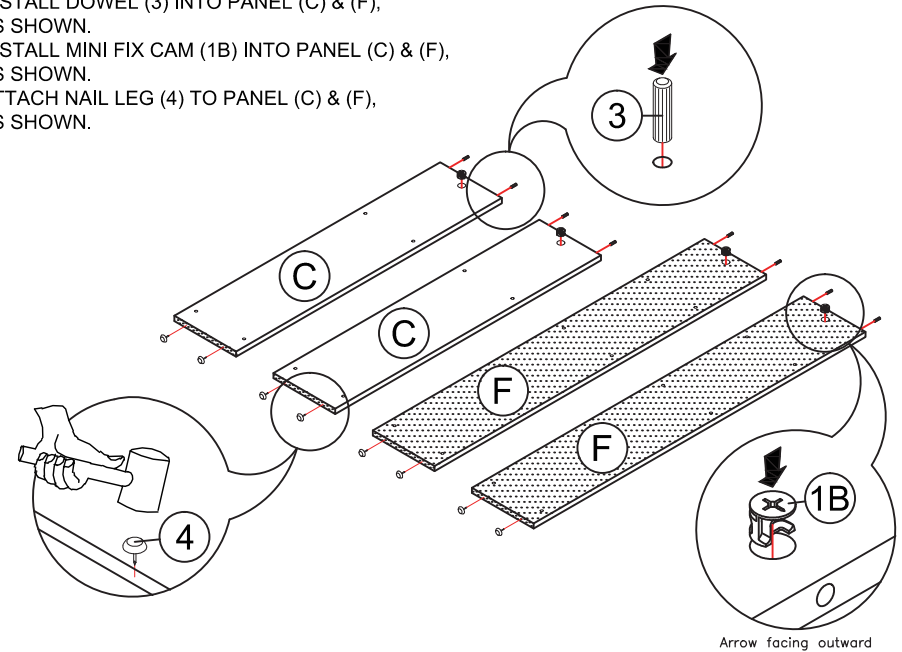
STEP 1

- INSTALL MINI FIX (1A) INTO PANEL (A) & (B), AS SHOWN.



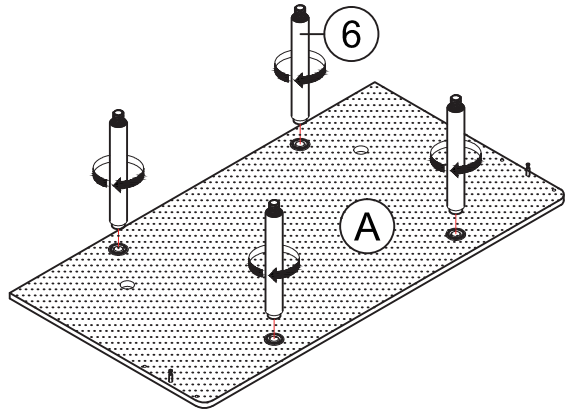
STEP 2

- INSTALL DOWEL (3) INTO PANEL (C) & (F), AS SHOWN.
- INSTALL MINI FIX CAM (1B) INTO PANEL (C) & (F), AS SHOWN.
- ATTACH NAIL LEG (4) TO PANEL (C) & (F), AS SHOWN.

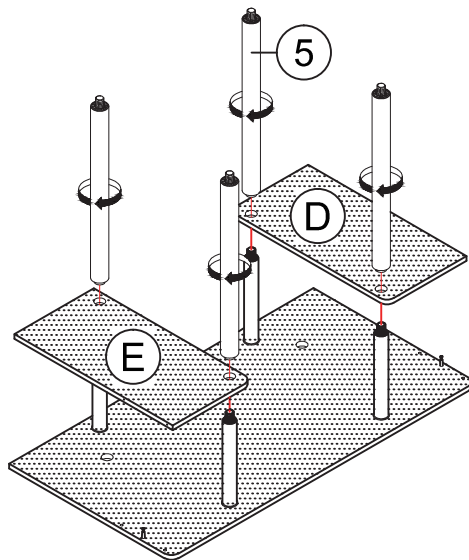


Arrow facing outward

STEP 3
ATTACH MIDDLE ROUND POLE (6) TO PANEL (A)
AND TIGHTEN IT, AS SHOWN.

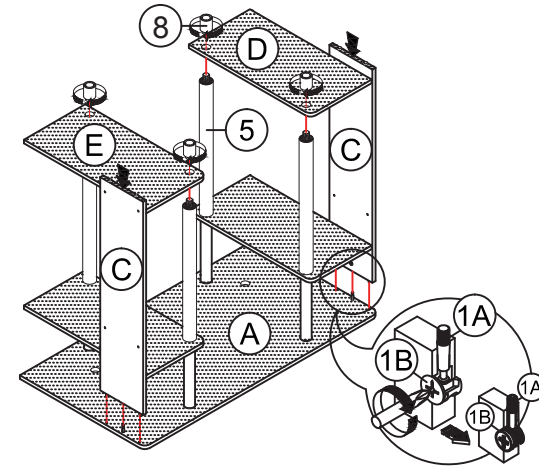


STEP 4
ATTACH PANEL (D) & (E) TO ASSEMBLED
UNIT USING LONG ROUND POLE (5) AND
TIGHTEN IT, AS SHOWN.

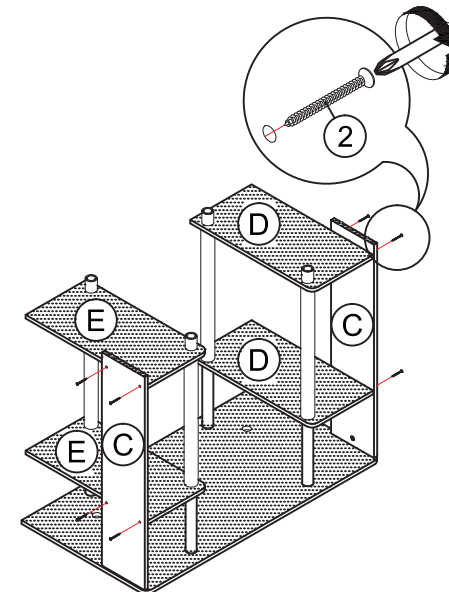


4

STEP 5
ATTACH PANEL (D) & (E) TO LONG ROUND POLE (5)
USING ROUND LEG (8) AND TIGHTEN IT, AS SHOWN.
ATTACH PANEL (C) TO PANEL (A) USING
MINI FIX BOLT (1A) & CAM (1B) AND TIGHTEN IT, AS
SHOWN.



STEP 6
ATTACH PANEL (C) TO PANEL (D) & (E)
USING SCREW (2) AND TIGHTEN IT, AS SHOWN.



5