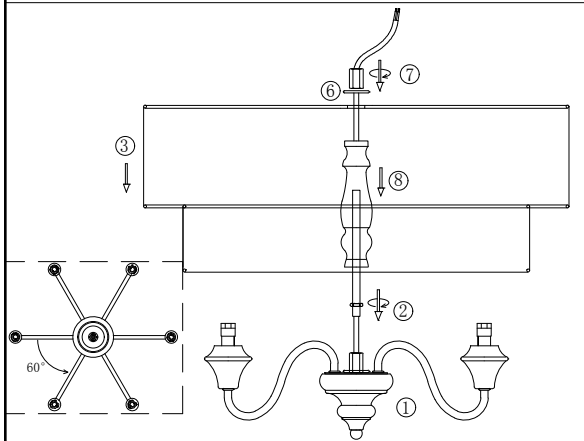
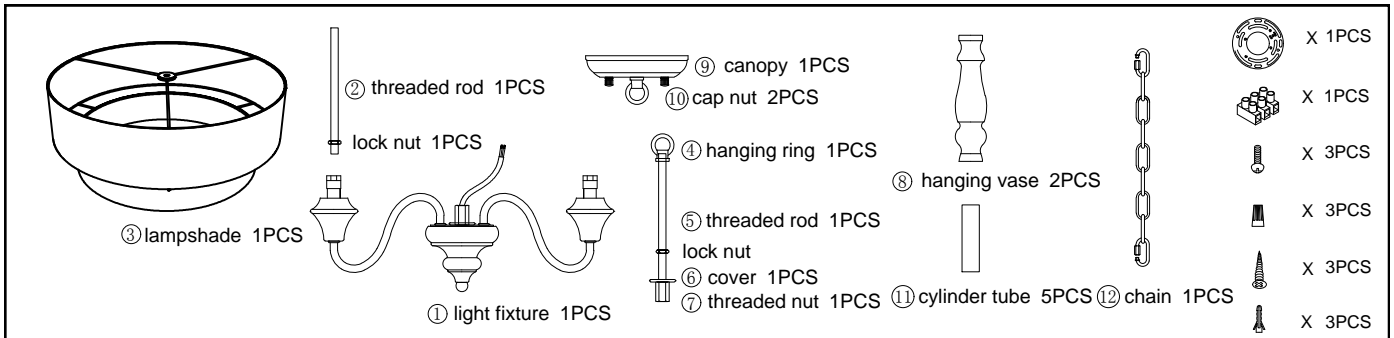
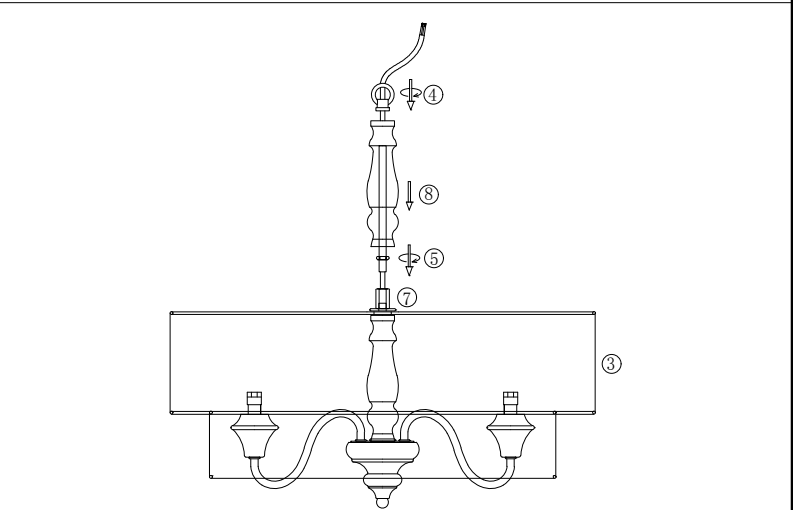


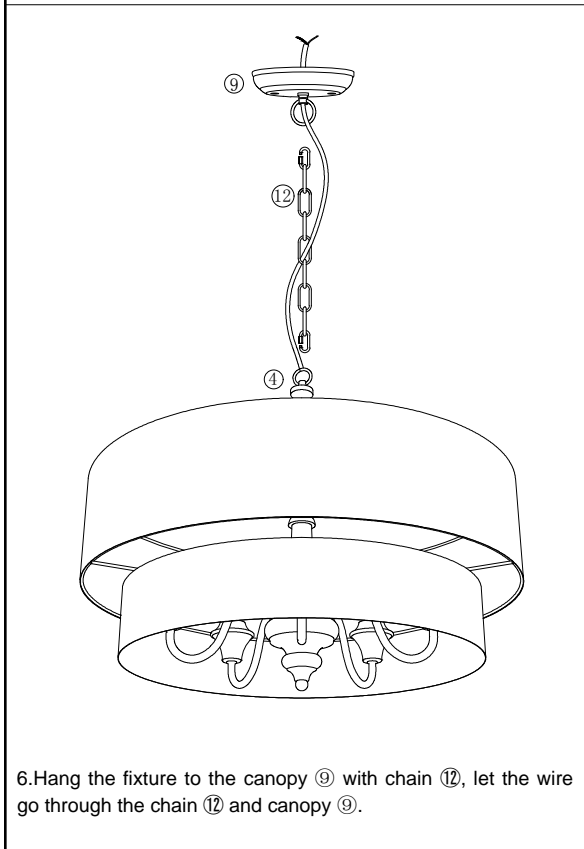
# INSTALLATION & ASSEMBLY



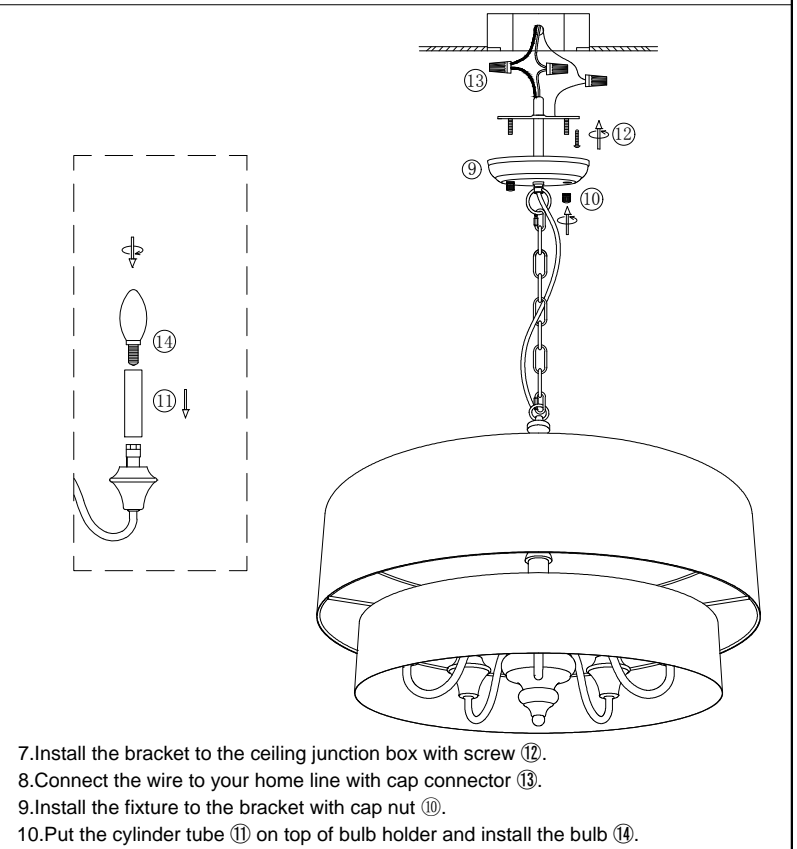
1. Adjust the light arms to suitable position like picture shown.
2. Let the wire go through the threaded rod ②, rotate to install it to the fixture, fasten the rod ② with lock nut.
3. Let the wire go through the hanging vase ⑧, lampshade ③, cover ⑥ and threaded nut ⑦, rotate nut ⑦ to fasten all parts to the fixture.



4. Let the wire go through the threaded rod ⑤, rotate to install it to the fixture, fasten the rod ⑤ with lock nut.
5. Let the wire go through the hanging vase ⑧ and ring ④, rotate ring ④ to fasten the vase ⑧ to the fixture.



6. Hang the fixture to the canopy ⑨ with chain ⑫, let the wire go through the chain ⑫ and canopy ⑨.



7. Install the bracket to the ceiling junction box with screw ⑫.
8. Connect the wire to your home line with cap connector ⑬.
9. Install the fixture to the bracket with cap nut ⑩.
10. Put the cylinder tube ⑪ on top of bulb holder and install the bulb ⑭.

Please read carefully before installation!!!

Note : Please make sure that the electricity is powered off during installation !

Only a professional electrician should install this kind of product !