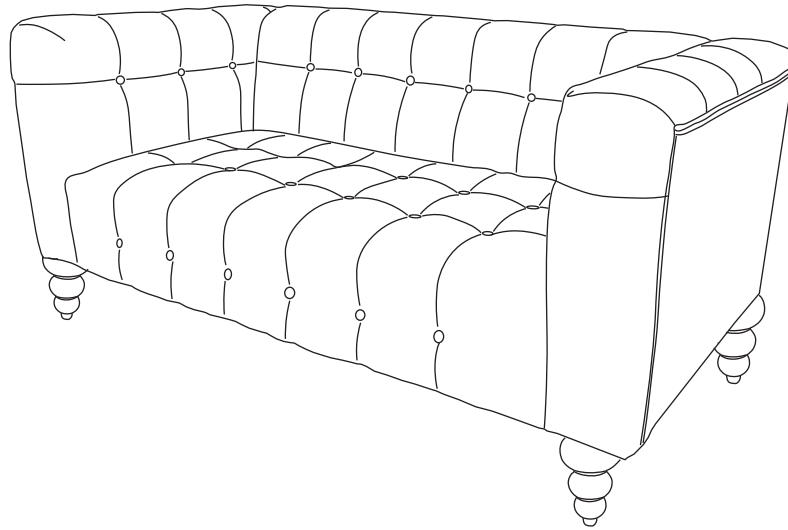


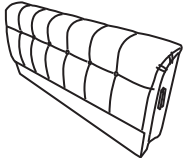

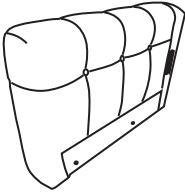


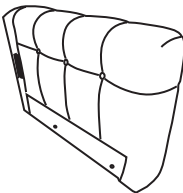

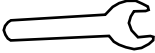
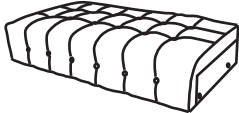
# ASSEMBLY INSTRUCTIONS

WF306134/135

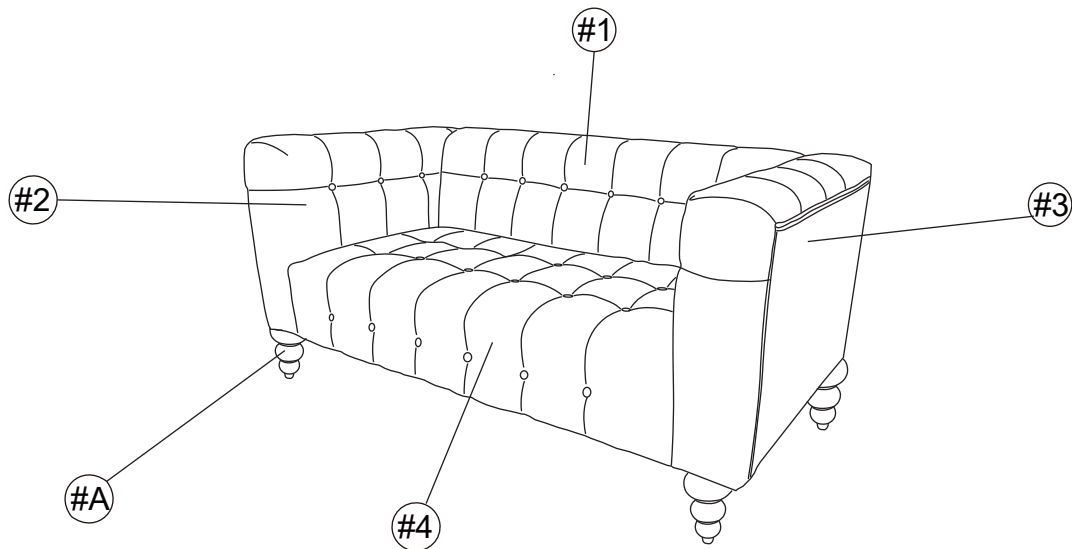
2 SEATER SOFA



2 SEATER SOFA is packed in 2 cases

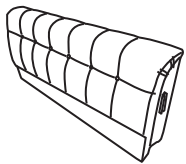
Carton	Disignation	Part	Hardware/Leg
1/2 WF306134	Backrest	#1 	 #A x 4pcs
	Left arm	#2 	 #B x 4pcs  #C x 4pcs
	Right arm	#3 	 #D x 4pcs  #E x 4pcs
2/2 WF306135	Seat	#4 	

# ASSEMBLY INSTRUCTIONS



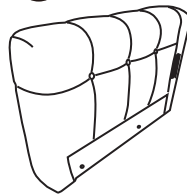
## PARTS

#1 1pc



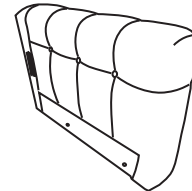
BACKREST

#2 1pc



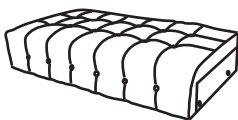
LEFT ARM

#3 1pc



RIGHT ARM

#4 1pc



SAET

## HARDWARE

#A 4 pcs



WOODEN LEG

#B 4 pcs



WHOLE TOOTH SCREW  
90mm L

#C 4 pcs



NUT

#D 4 pcs



FLAT WASHER  
22mm

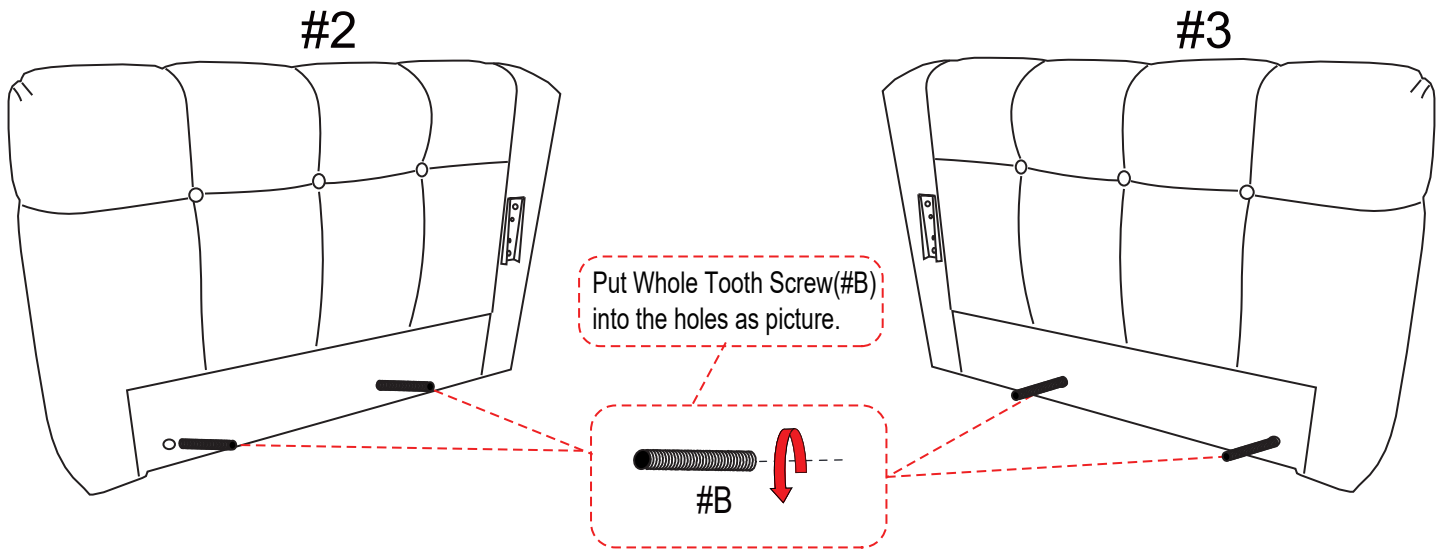
#E 1 pc



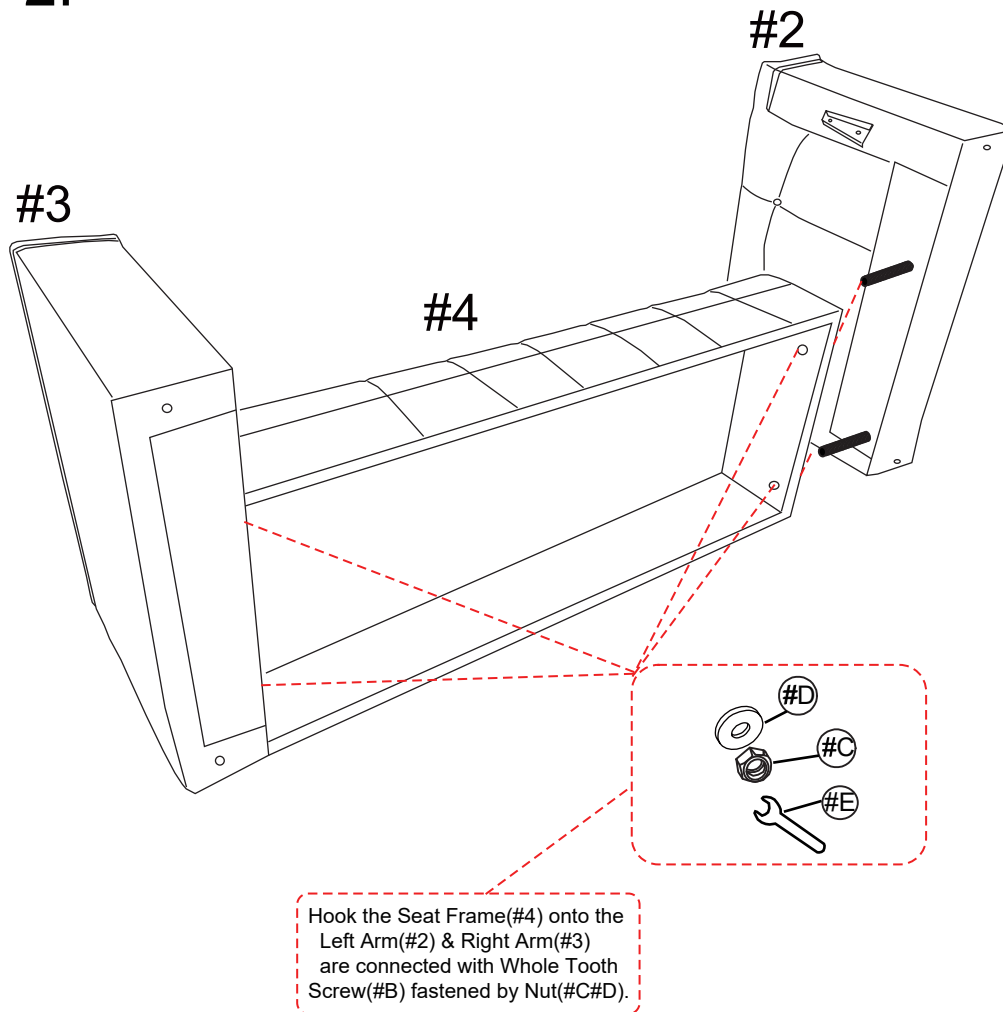
WRENCH

# ASSEMBLY INSTRUCTIONS

## STEP1:

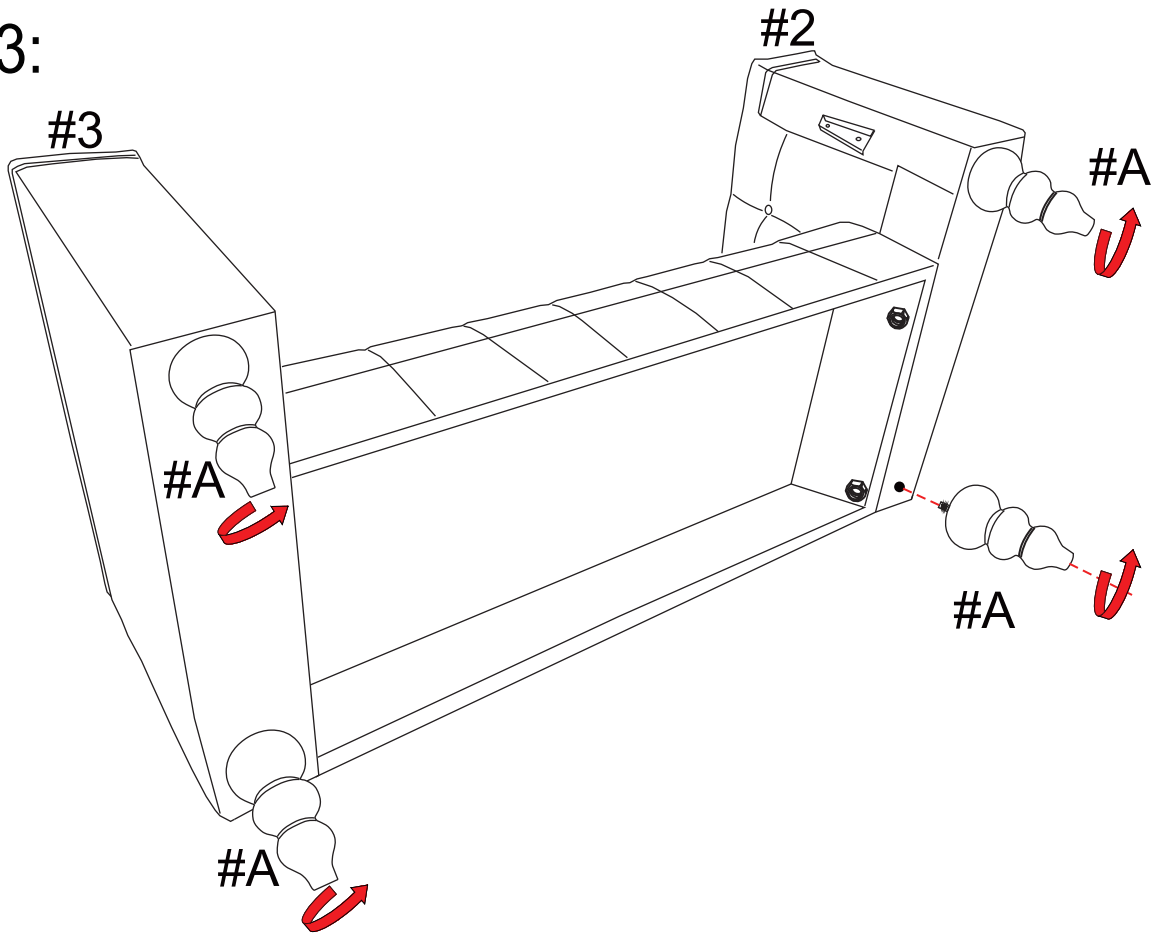


## STEP2:



# ASSEMBLY INSTRUCTIONS

STEP3:



STEP4:

