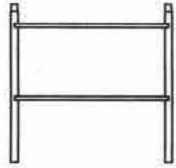


INSTALLATION INSTRUCTIONS



(A)
2PCS



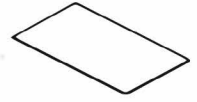
(B)
2PCS



(C)
3PCS



(D)
1PC



(E)
3PCS



(F)
4PCS



(G)
4PCS



(H)
4PCS



(I)
8PCS



(J)
4PCS

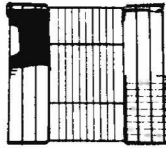


(K)
1PC

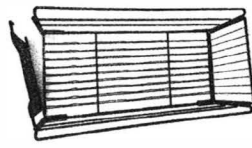


(L)
1PC

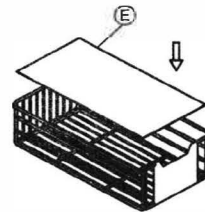
Installation instruction of basket



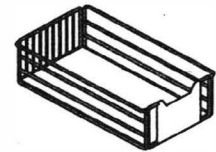
1. Open the basket



2. Fixed by side connection

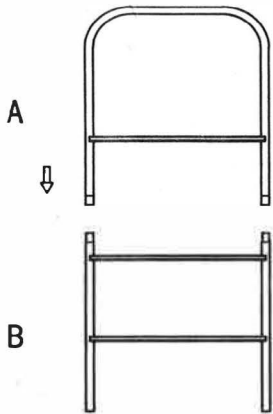


3. Place the plastic sheet

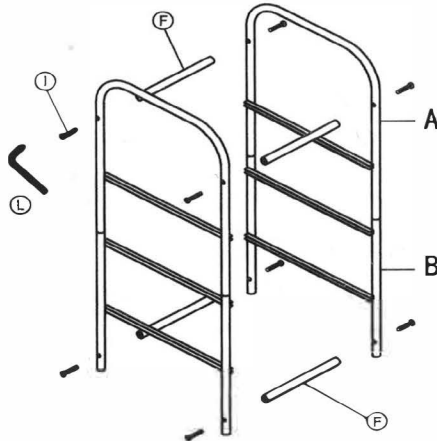


4. Complete

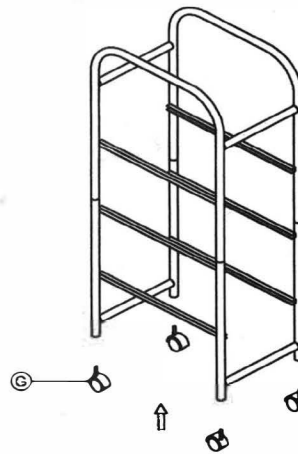
Overall assembly instructions



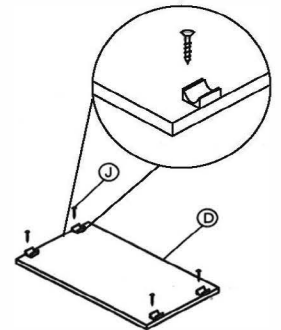
1. Assemble the left and right brackets.



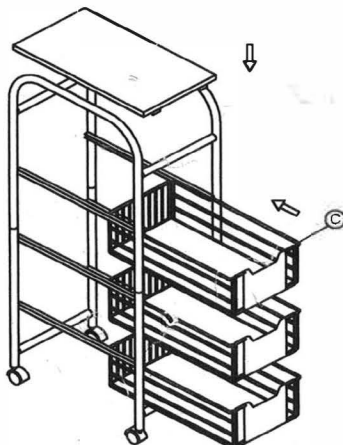
2. Use the connecting rod to connect the left and right brackets. Tighten with the inner corner wrench.



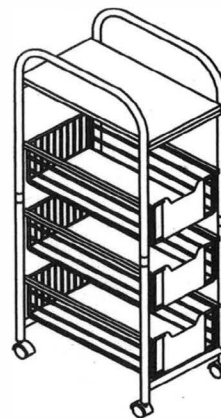
3. Insert the cardan wheels.



4. Place the cross screws into the buckle and tighten with a screwdriver.



5. Insert the wire baskets and clamp the board.



6. Installation complete.