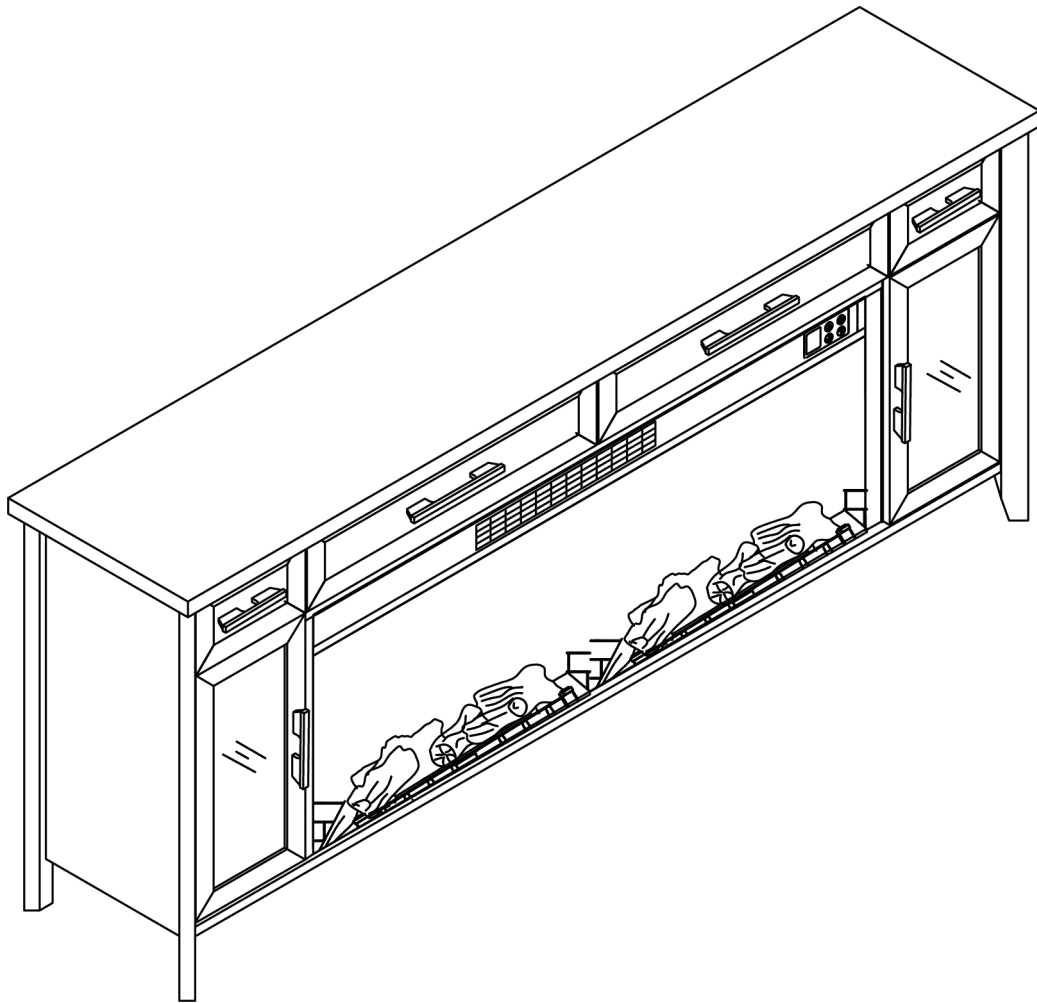


# Apex TV Fire Stand



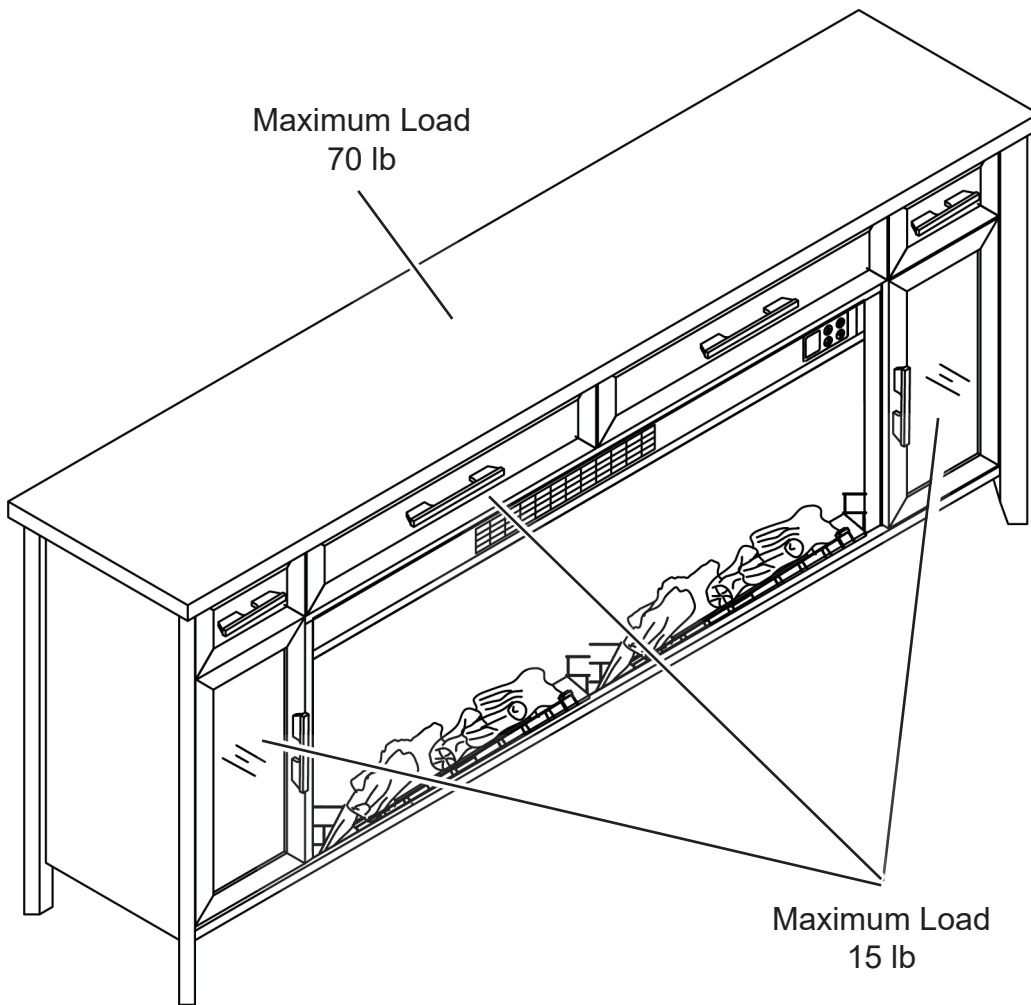


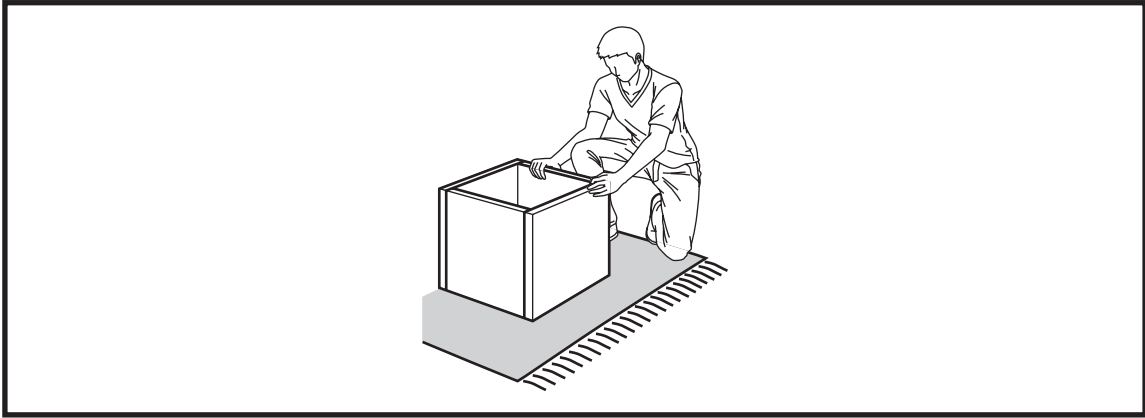
Estimated time for assembly:

**120 mins**



Weight limitations are as follows:

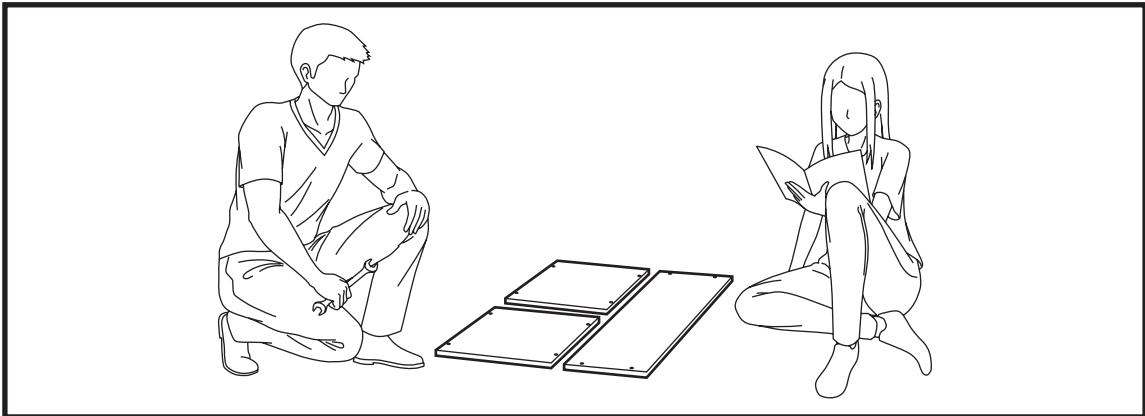




Assemble the furniture on an empty carton, carpet, or rug to prevent scratches or damage.

For safety, please keep pets and children away from the assembly area.

Ensure the product is fully assembled before use. If you are missing any hardware or products, do not use it until you have restored the missing parts.



This furniture requires 2 people for assembly.

Read this instruction manual prior to assembly to familiarize yourself with the various steps.

Lay out all components and hardware separately on a flat surface and make sure that no parts are missing or damaged before assembly. Do not destroy or discard any packaging until you are certain that you have all the necessary parts for assembly.

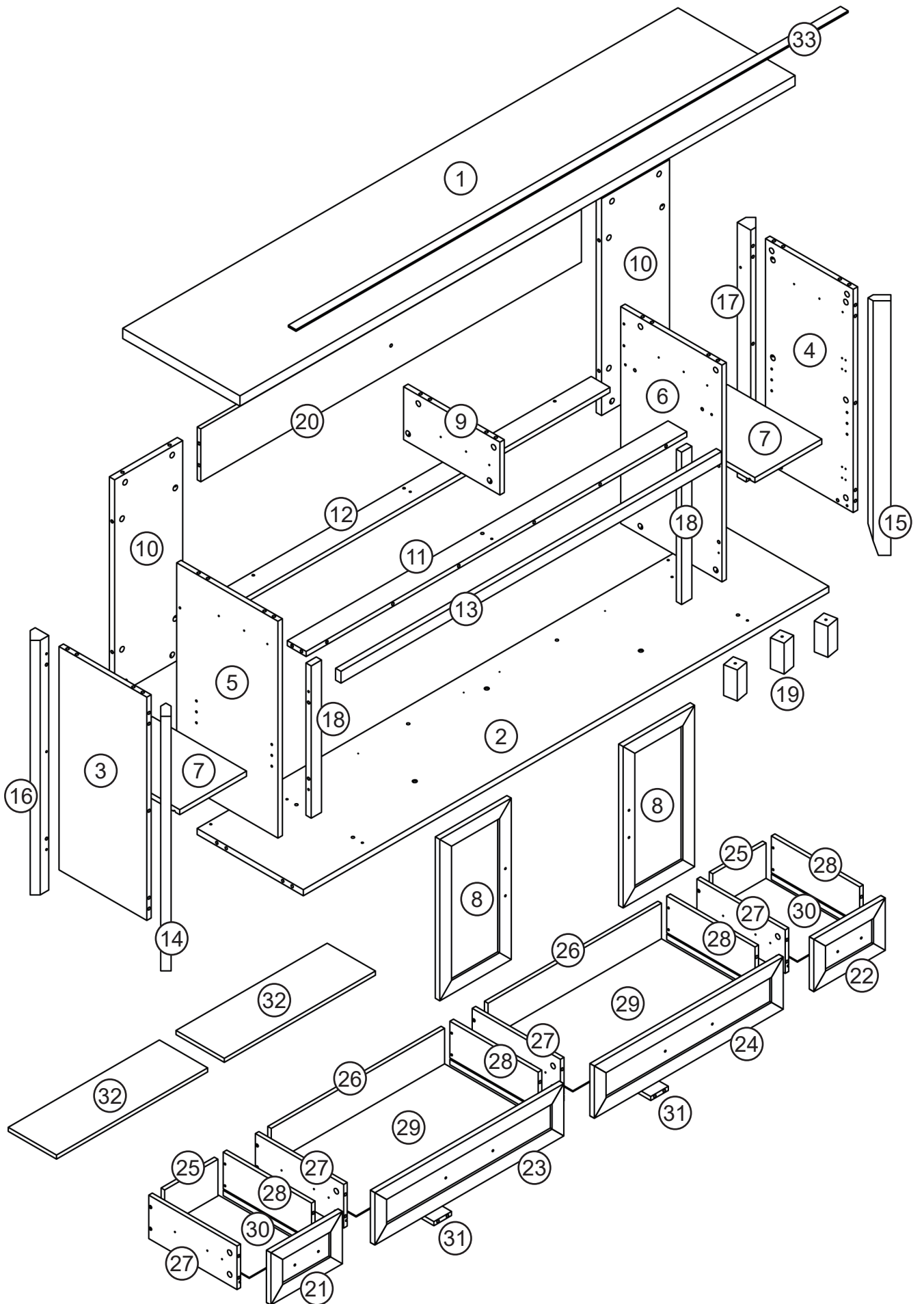
Hand tight all hardware and careful not to over tighten to avoid damaging the product.

## **CAUTION**

There are small components used in the construction of this product. Loose items should be kept away from pets and children to avoid a choking hazard.

Keep all plastic bags and packaging film away from pets and children to avoid suffocation.

# PACKAGE CONTENTS



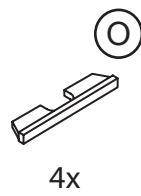
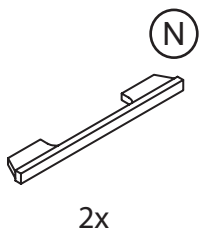
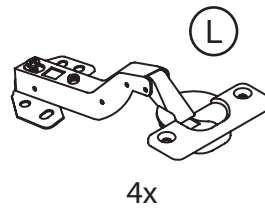
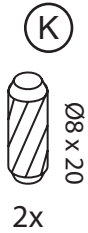
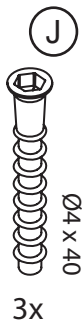
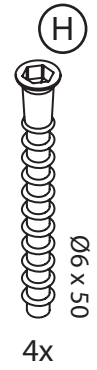
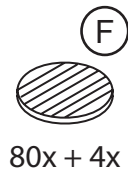
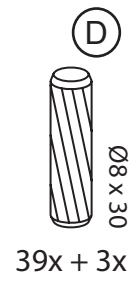
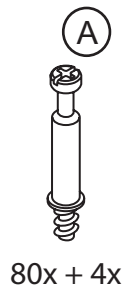
# PACKAGE CONTENTS

CODE	DESCRIPTION	QTY
1	Top Panel	1
2	Bottom Panel	1
3	Left Lateral Panel	1
4	Right Lateral Panel	1
5	Left Medial Panel	1
6	Right Medial Panel	1
7	Storage Shelf Panel	2
8	Cabinet Door	2
9	Divider Panel	1
10	Side Back Panel	2
11	Front Crossbar	1
12	Back Crossbar	1
13	Top Surround Panel	1
14	Left Front Leg	1
15	Right Front Leg	1
16	Left Back Leg	1
17	Right Back Leg	1

# PACKAGE CONTENTS

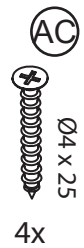
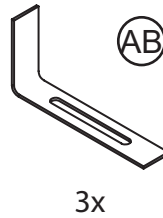
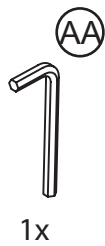
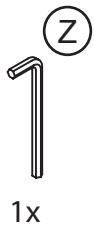
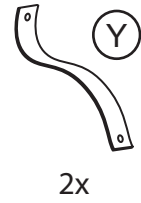
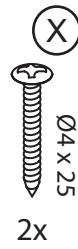
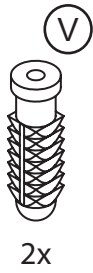
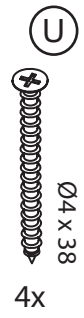
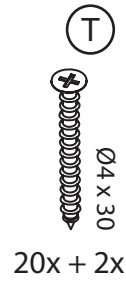
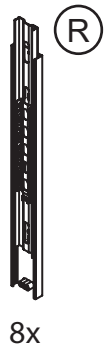
CODE	DESCRIPTION	QTY
18	Side Surround Panel	2
19	Support Leg	3
20	Center Back Panel	1
21	Left Side Drawer Front Panel	1
22	Right Side Drawer Front Panel	1
23	Left Center Drawer Front Panel	1
24	Right Center Drawer Front Panel	1
25	Side Drawer Back Panel	2
26	Center Drawer Back Panel	2
27	Drawer Left Panel	4
28	Drawer Right Panel	4
29	Center Drawer Bottom Panel	2
30	Side Drawer Bottom Panel	2
31	Drawer support strip	2
32	Counter Weight Panel	2
33	Top Strip	1

# PACKAGE CONTENTS



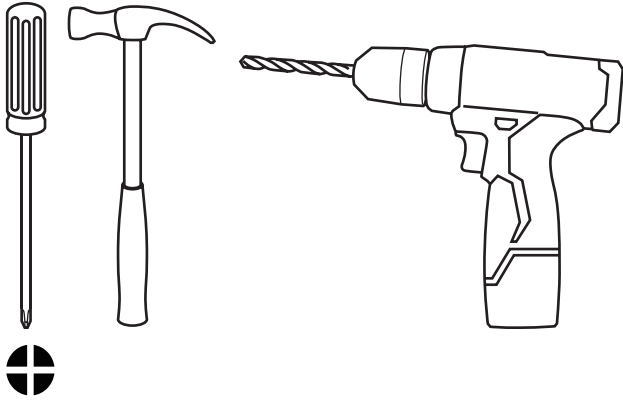
Install all hardware perpendicular to the opening.

# PACKAGE CONTENTS



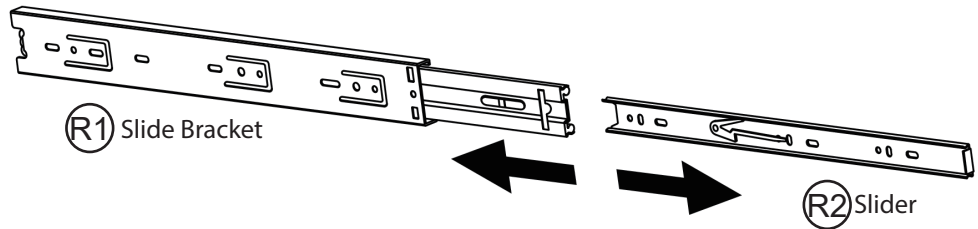
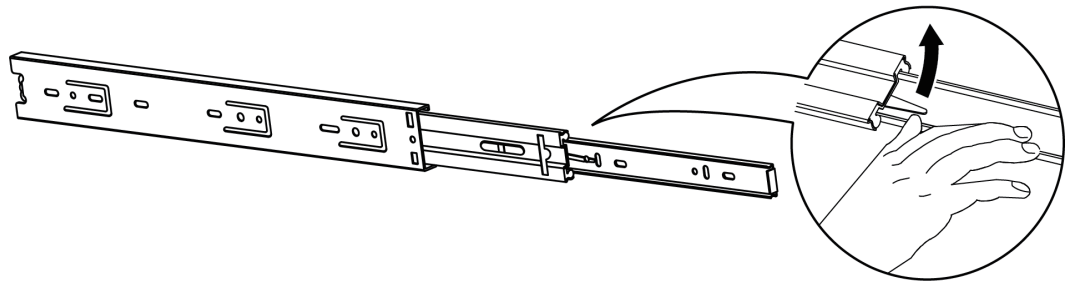
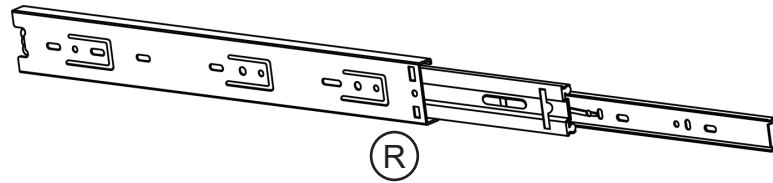
Install all hardware perpendicular to the opening.

Required tools for assembly (Not included)



1

Detach sliders from slide brackets.



# 2

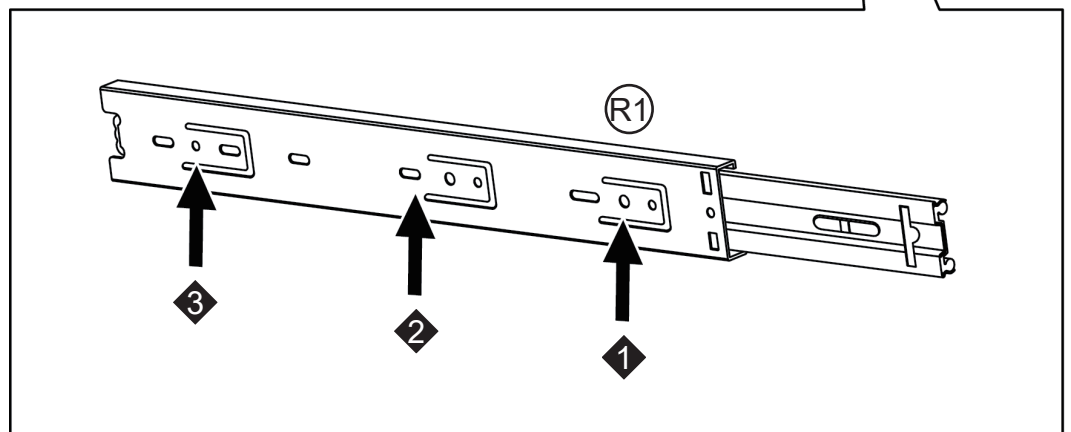
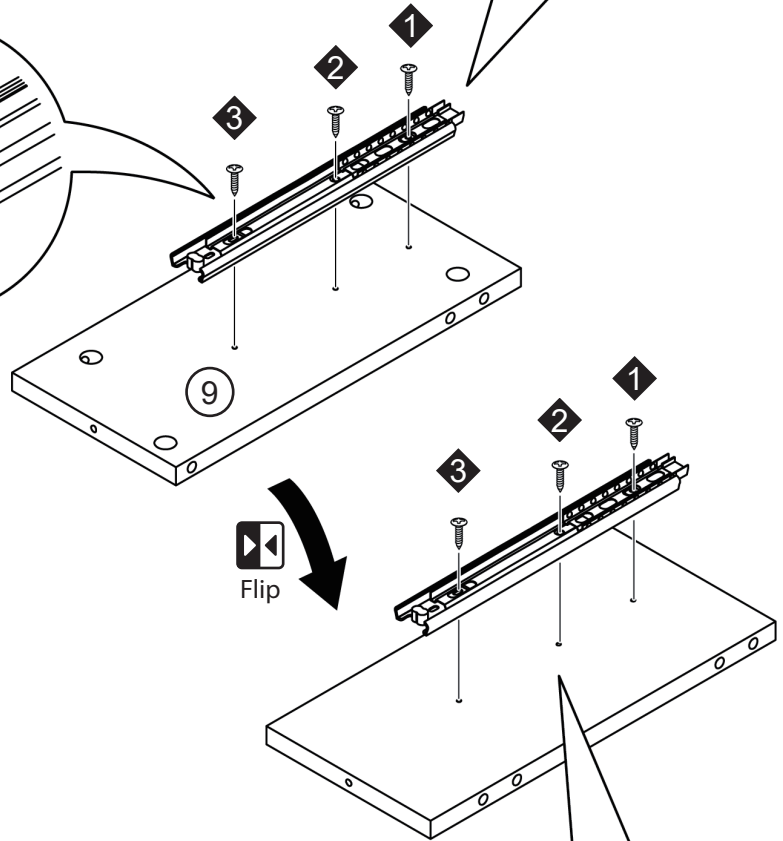
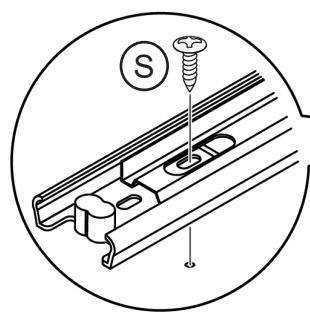
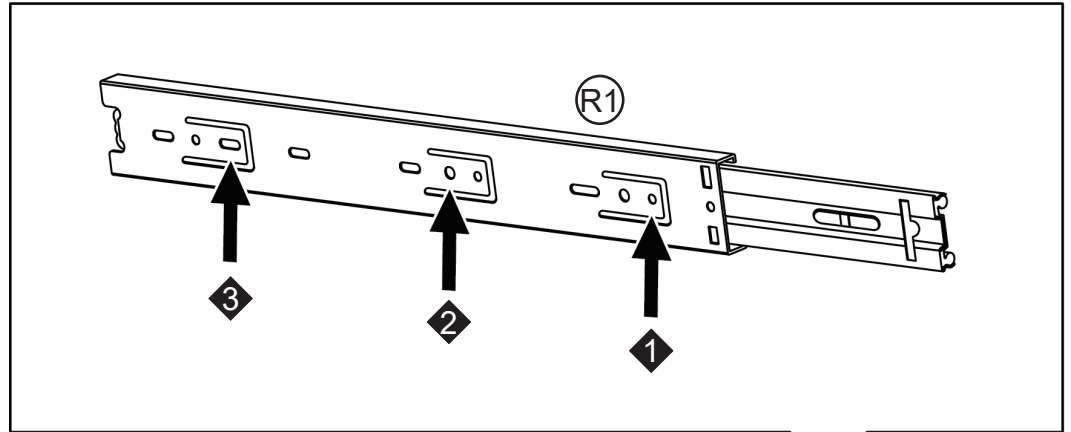
Attach slide brackets to both sides of the divider panel (9).



(R1) 2x



(S) 6x



Note: There are differences in the opening on both sides, Make sure to insert screws in the correct opening.

# 3

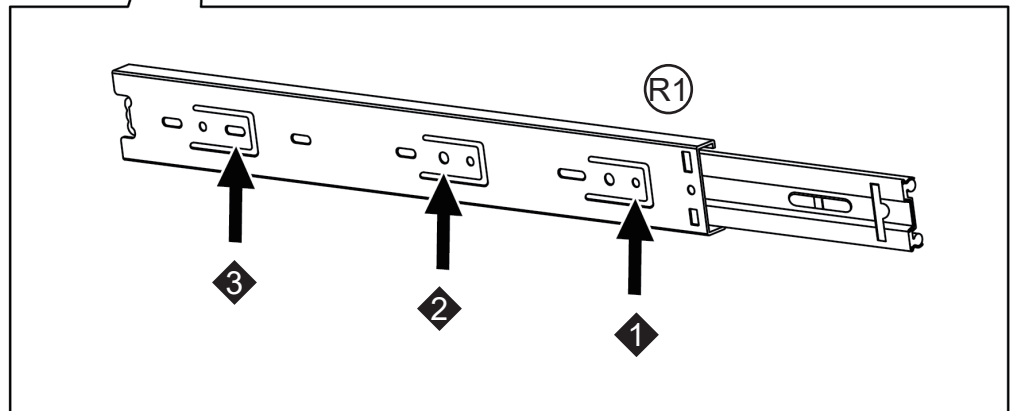
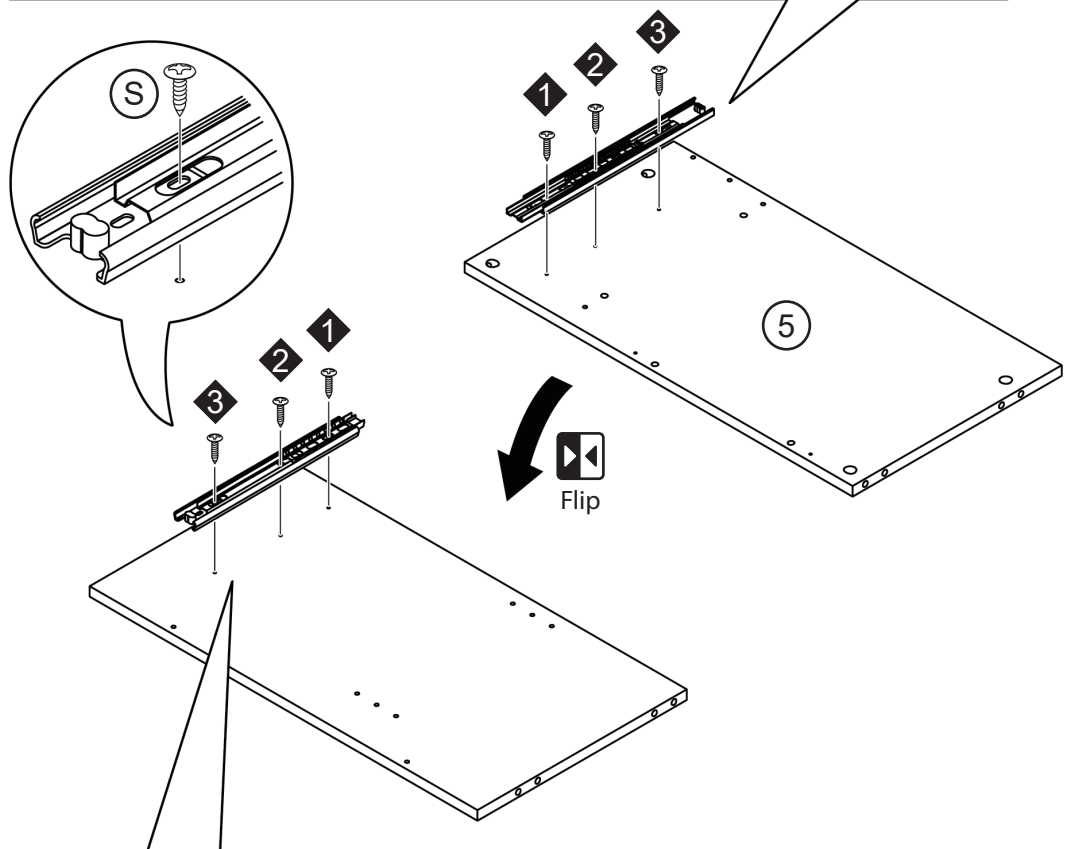
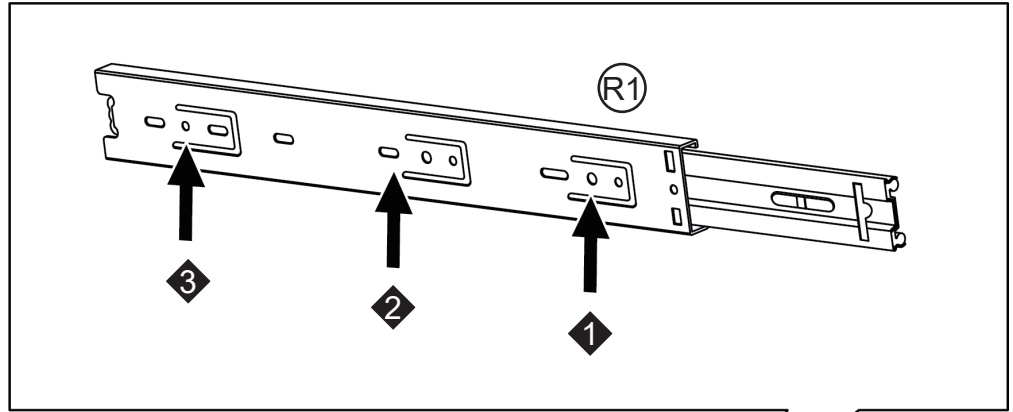
Attach slide brackets to both sides of the left medial panel (5).



(R1) 2x



(S) 6x



Note: There are differences in the opening on both sides, Make sure to insert screws in the correct opening.

# 4

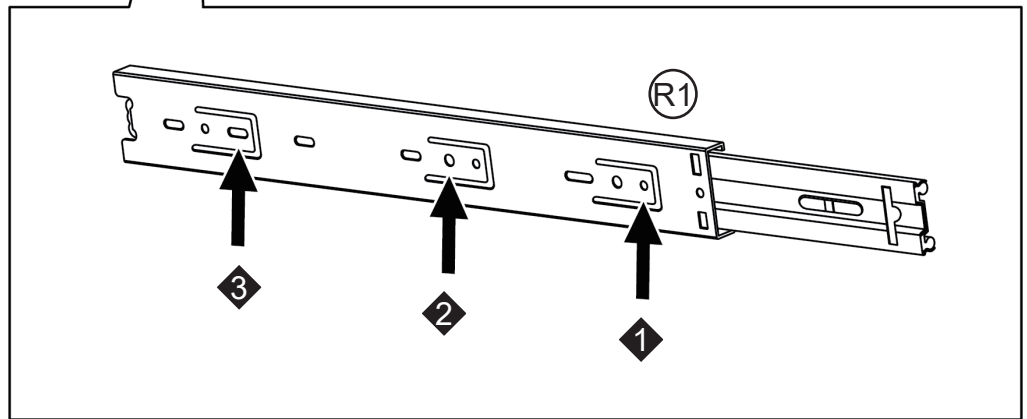
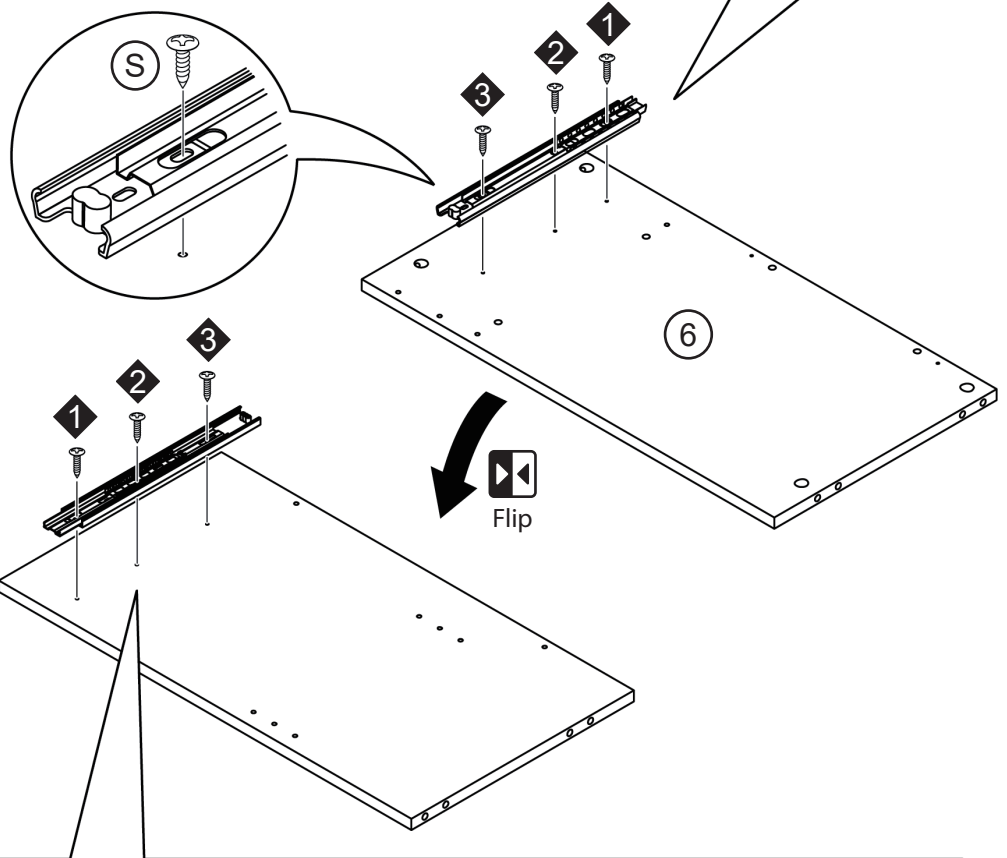
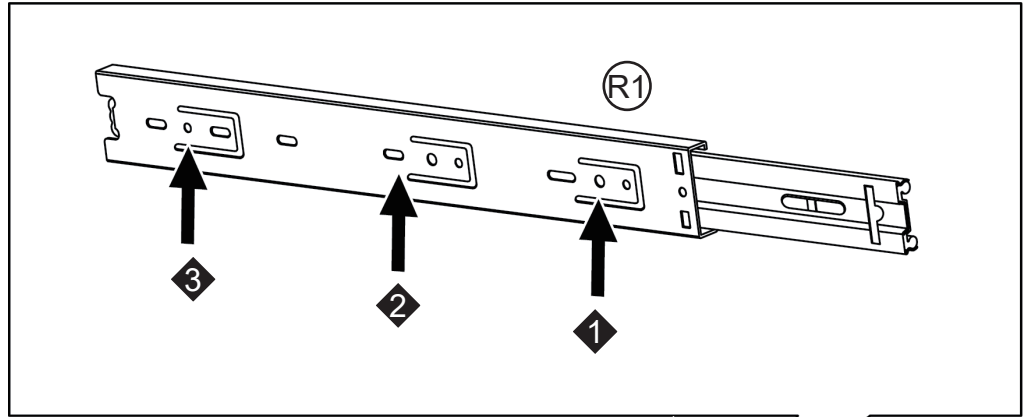
Attach slide brackets to both sides of the right medial panel (6).



(R1) 2x



(S) 6x  
Ø3.5x12



Note: There are differences in the opening on both sides, Make sure to insert screws in the correct opening.

# 5

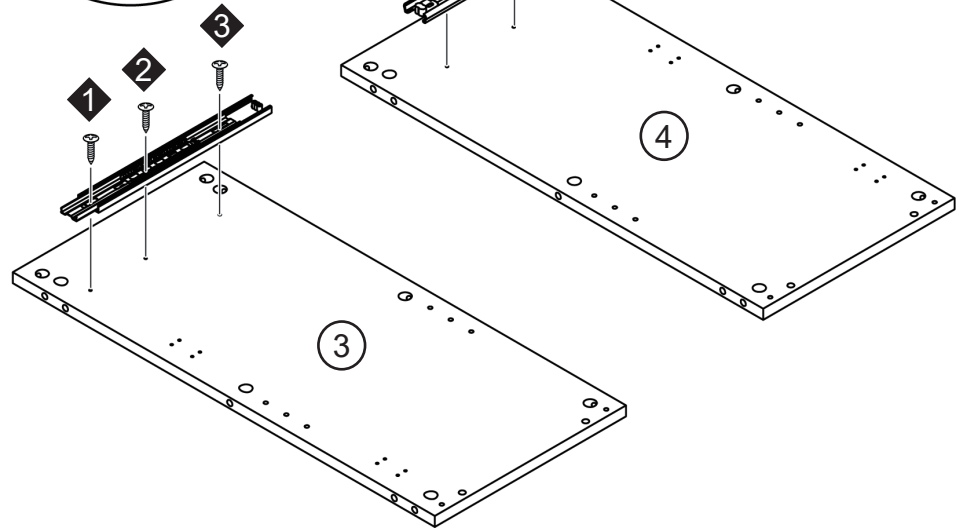
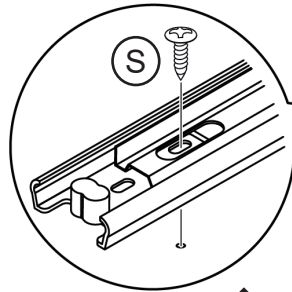
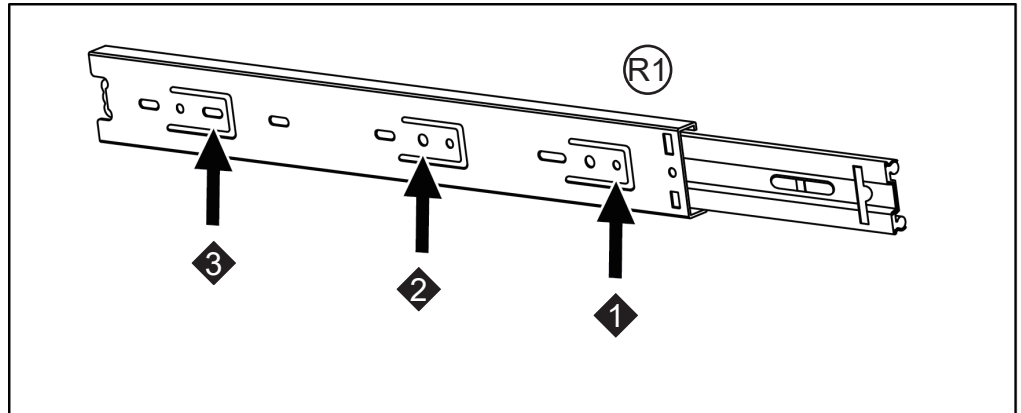
Attach slide brackets to the lateral panels (3, 4).



(R1) 2x

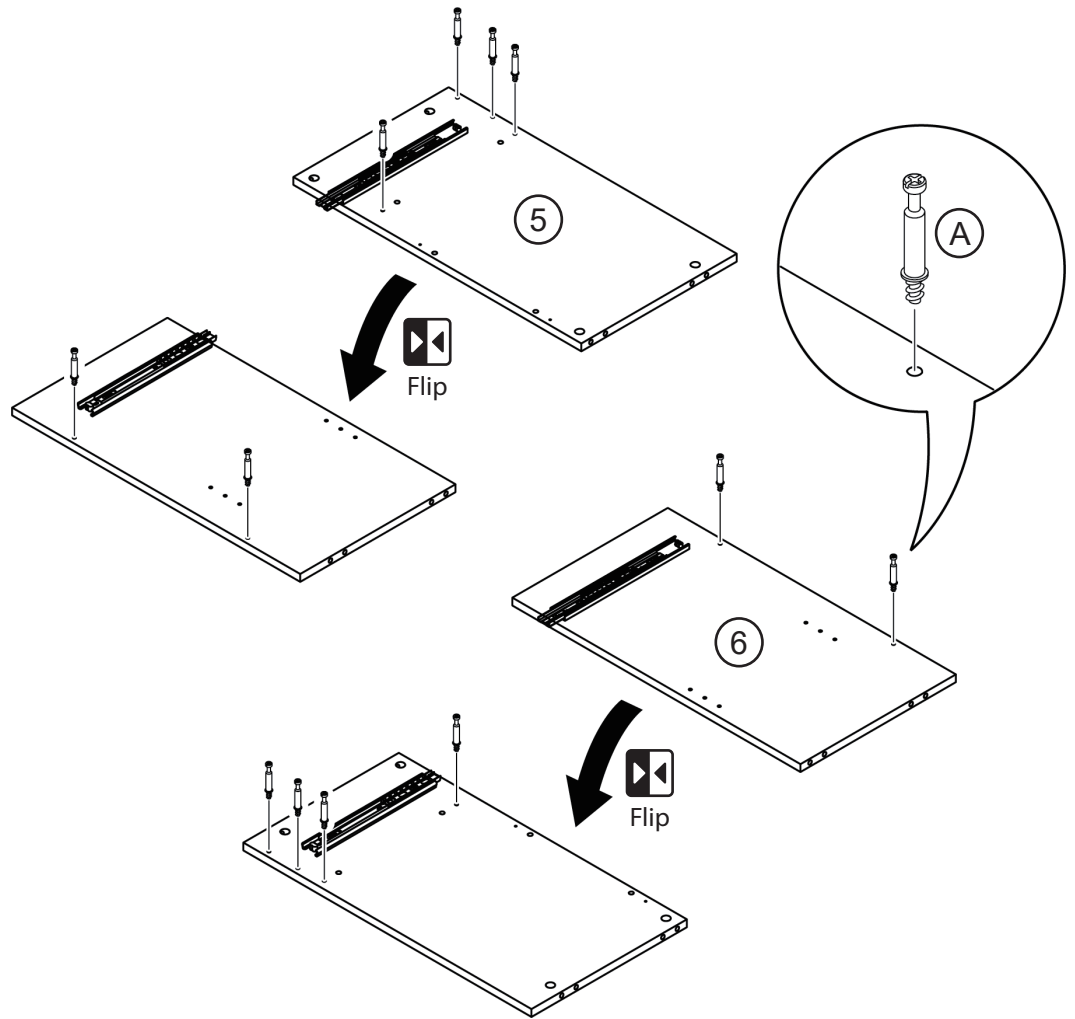
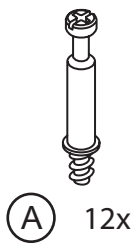


(S) 6x



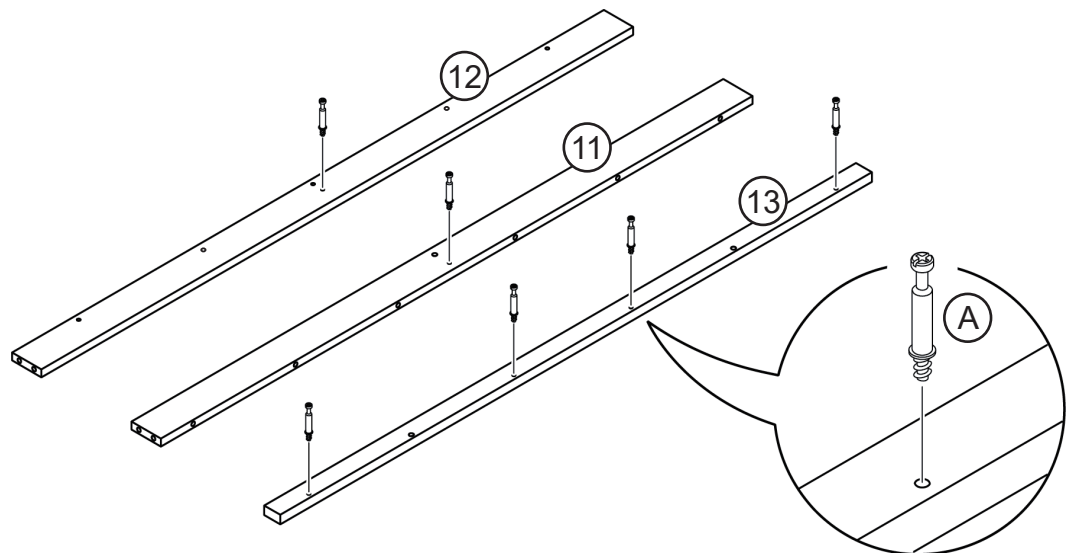
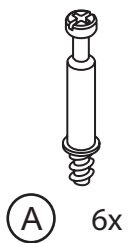
# 6

Attach cam bolts to both sides of the medial panels (5, 6).



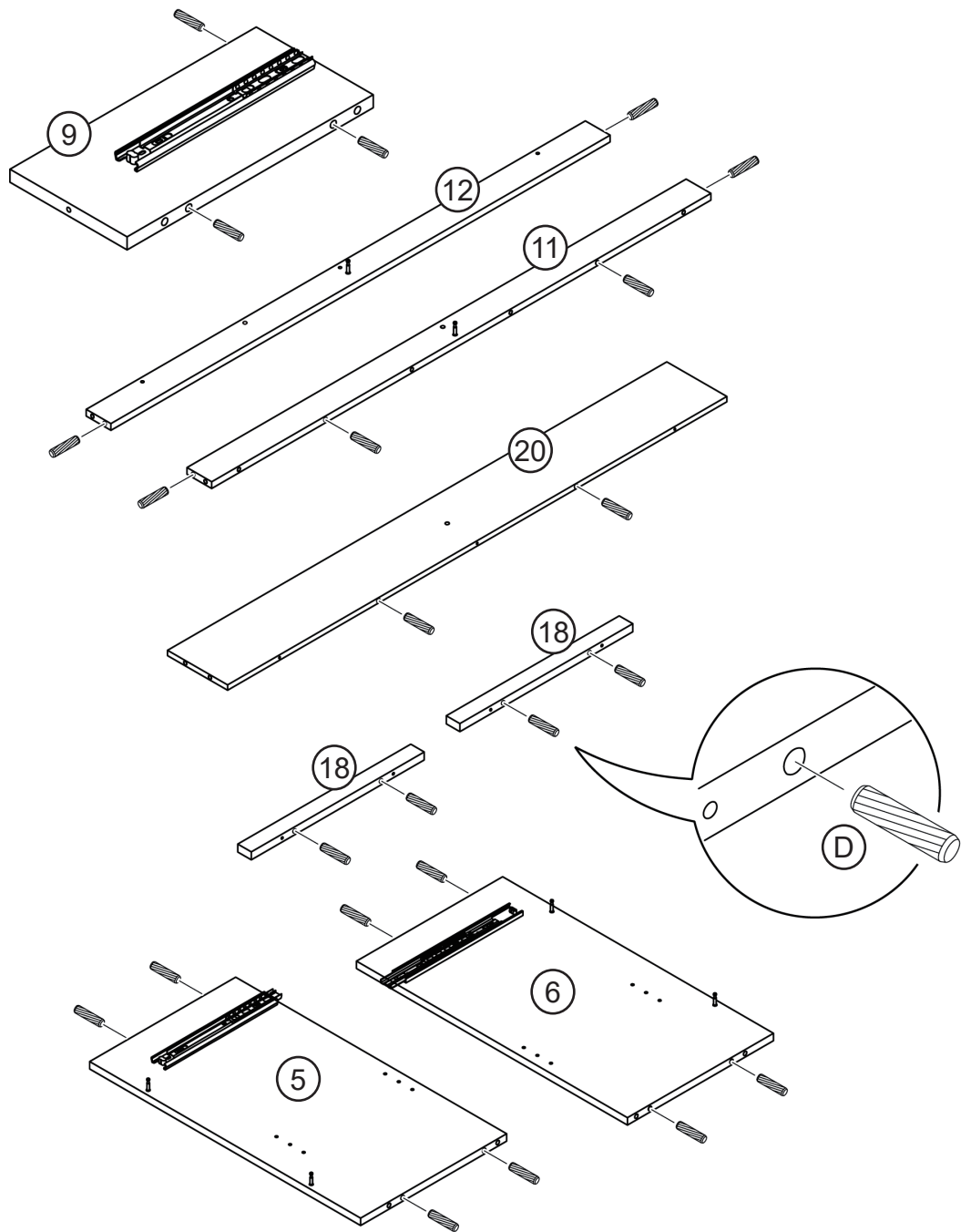
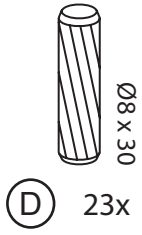
# 7

Attach cam bolts to the crossbars (11, 12) and top surround panel (13).



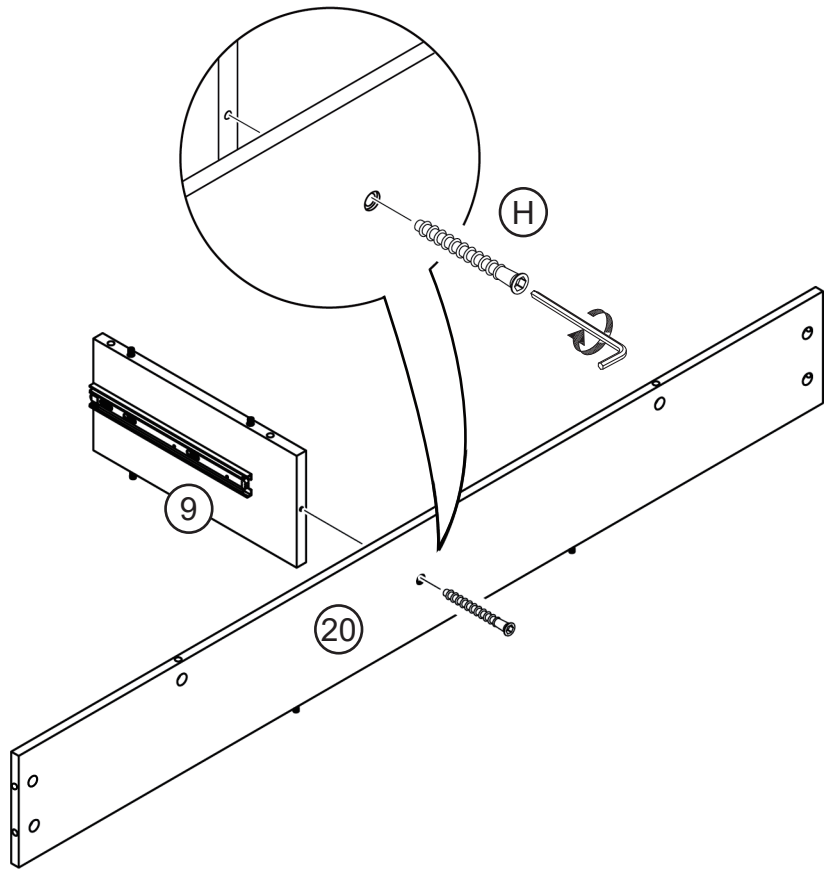
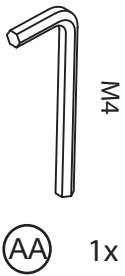
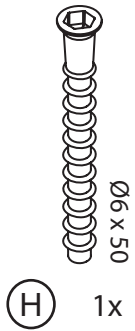
# 8

Insert wood dowels to the medial panels (5, 6), divider panel (9), crossbars (11, 12), side surround panels (18) and center back panel (20).



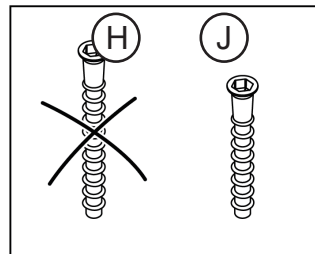
# 9

Attach the divider panel (9) to the center back panel (20).

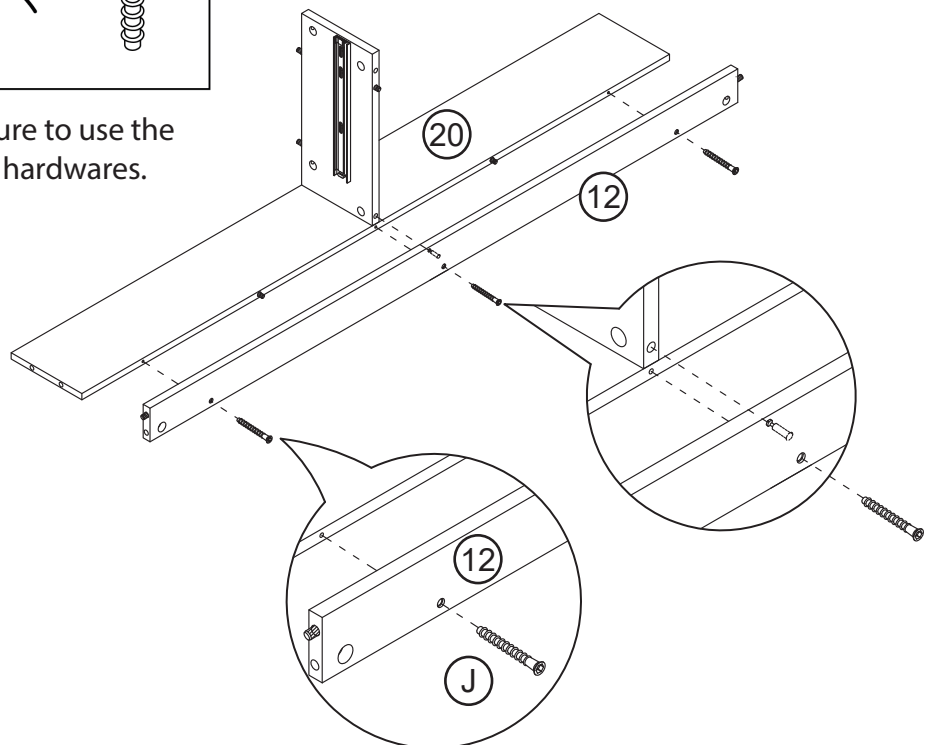
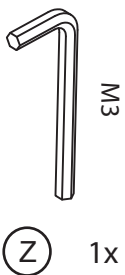
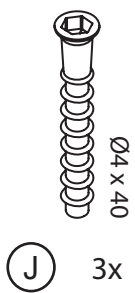


# 10

Assemble the back crossbar (12) to the center back panel (20).

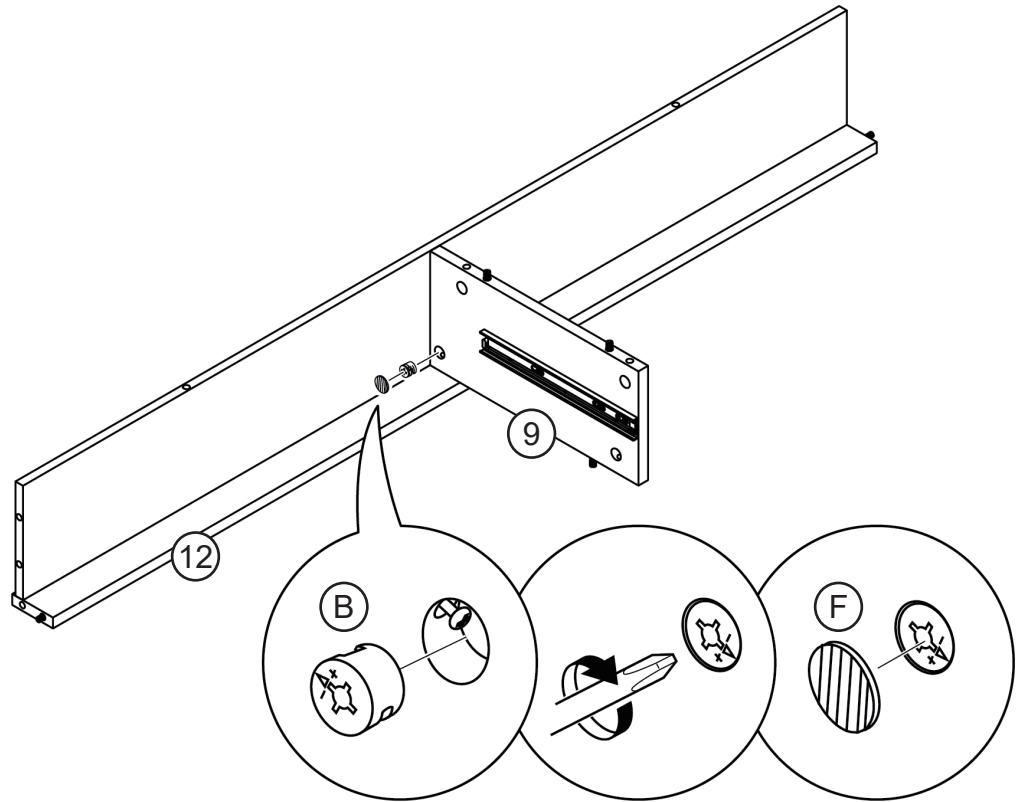
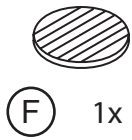
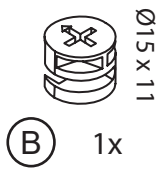


Make sure to use the correct hardware.



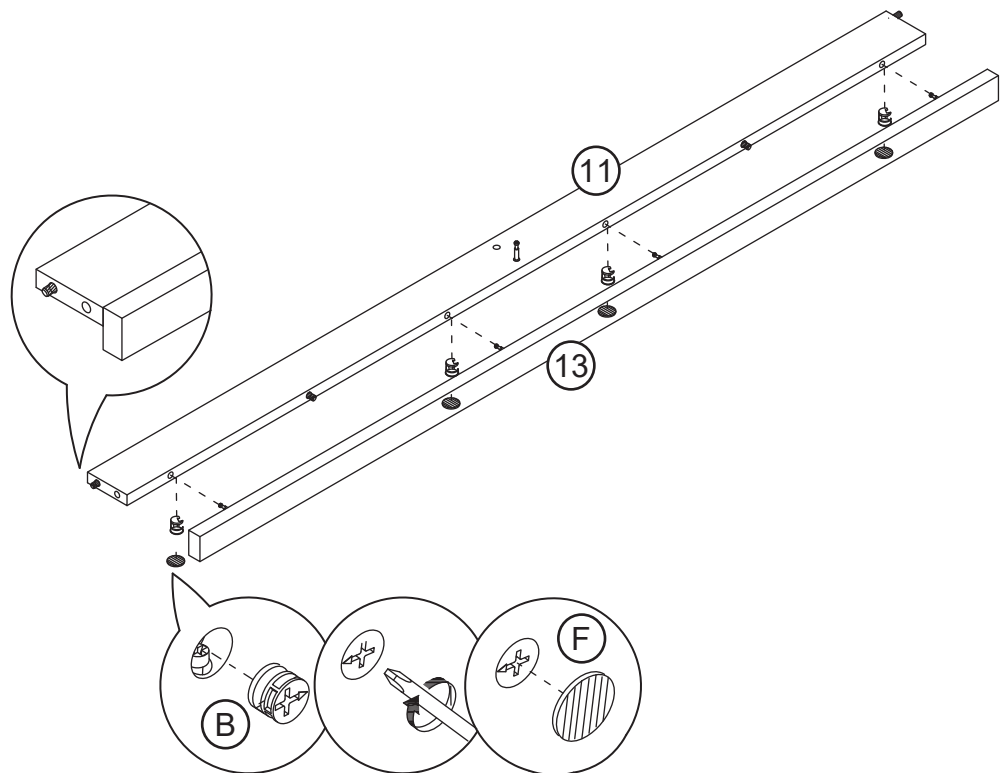
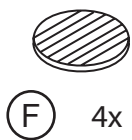
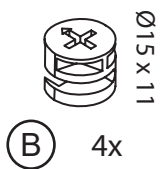
# 11

Secure the divider panel (9) to the back crossbar (12).



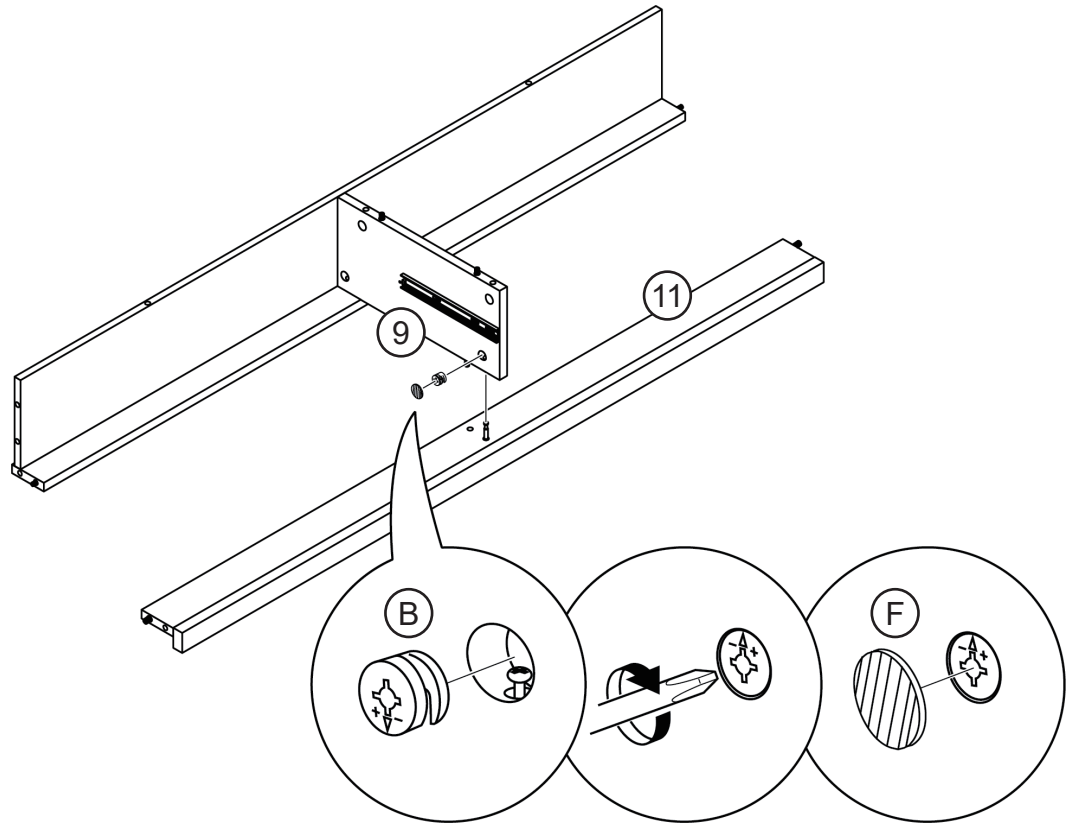
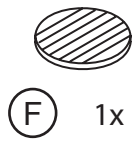
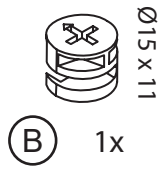
# 12

Assemble the top surround panel (13) to the front crossbar (11).



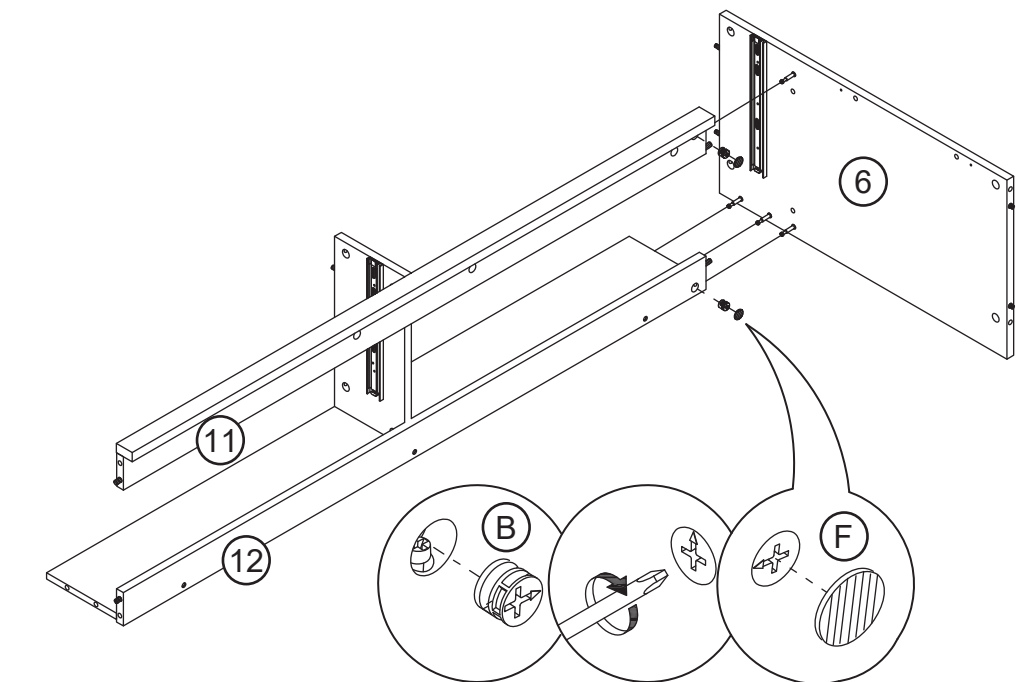
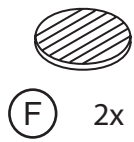
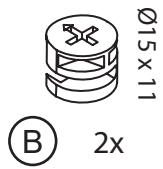
# 13

Assemble the front crossbar (11) to the divider panel (9).



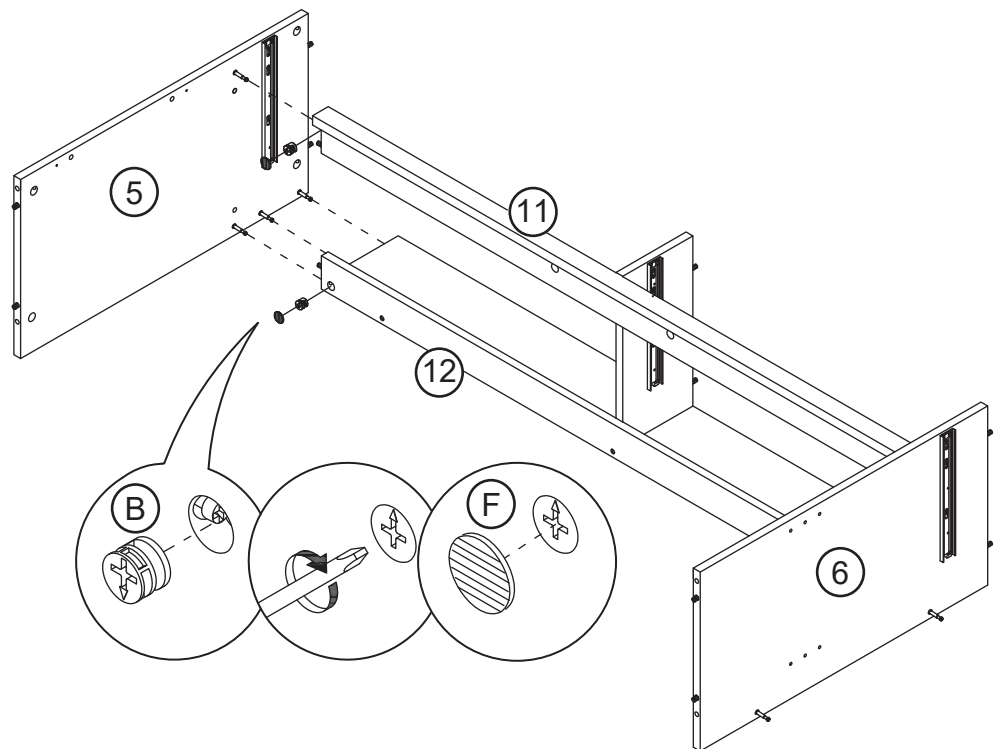
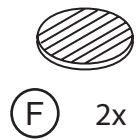
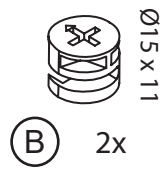
# 14

Assemble the crossbars (11, 12) to the right medial panel (6).



# 15

Assemble the left medial panel (5) to the other side of the crossbars (11, 12).



# 16

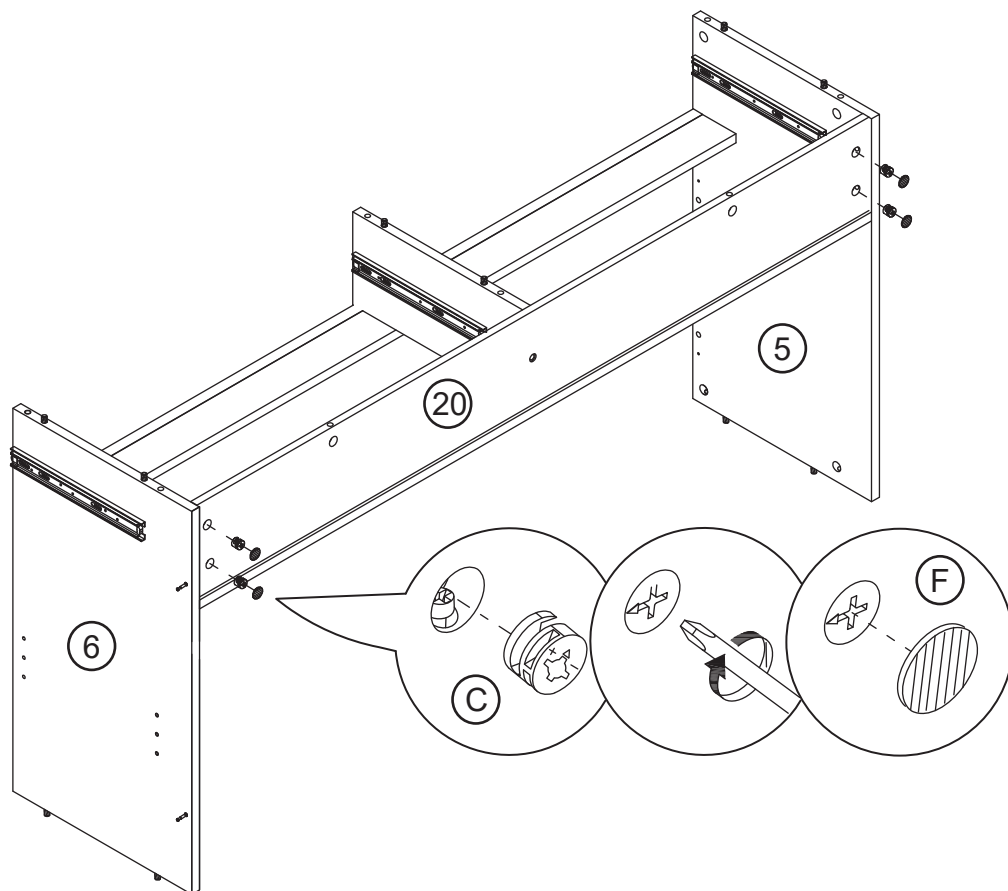
Assemble the medial panel (5,6) to the both side of the Center back panel (20).



(C) 4x

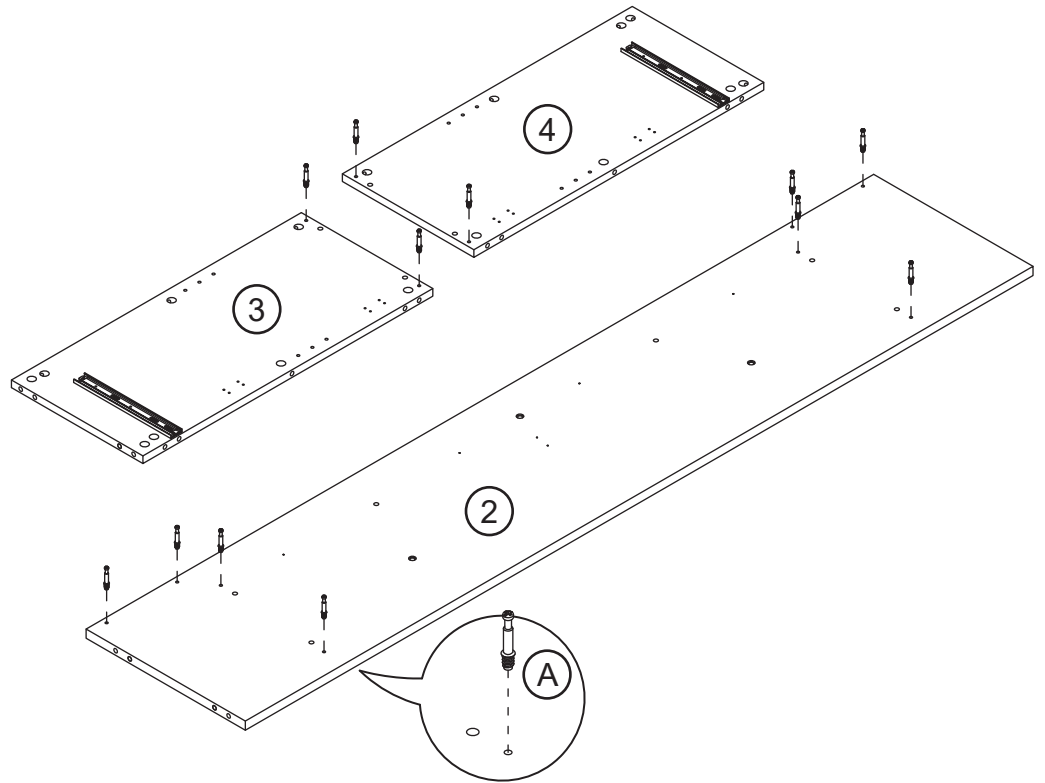
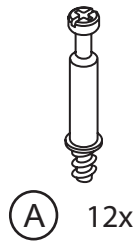


(F) 4x



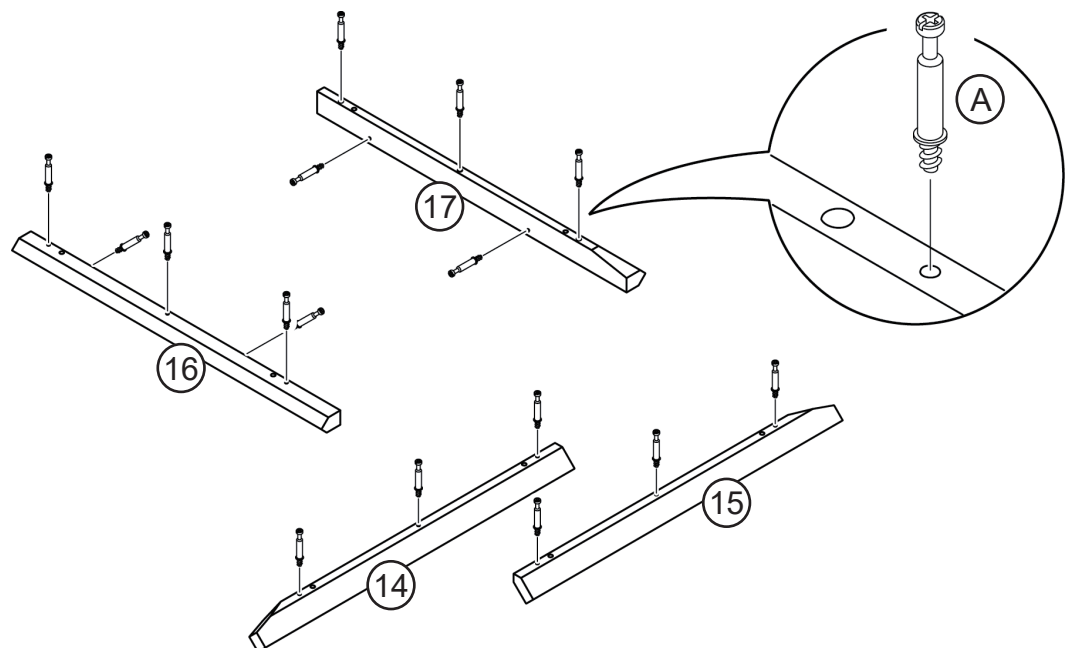
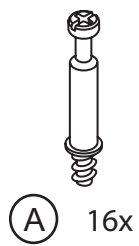
# 17

Attach cam bolts to the bottom panel (2) and lateral panels (3,4).



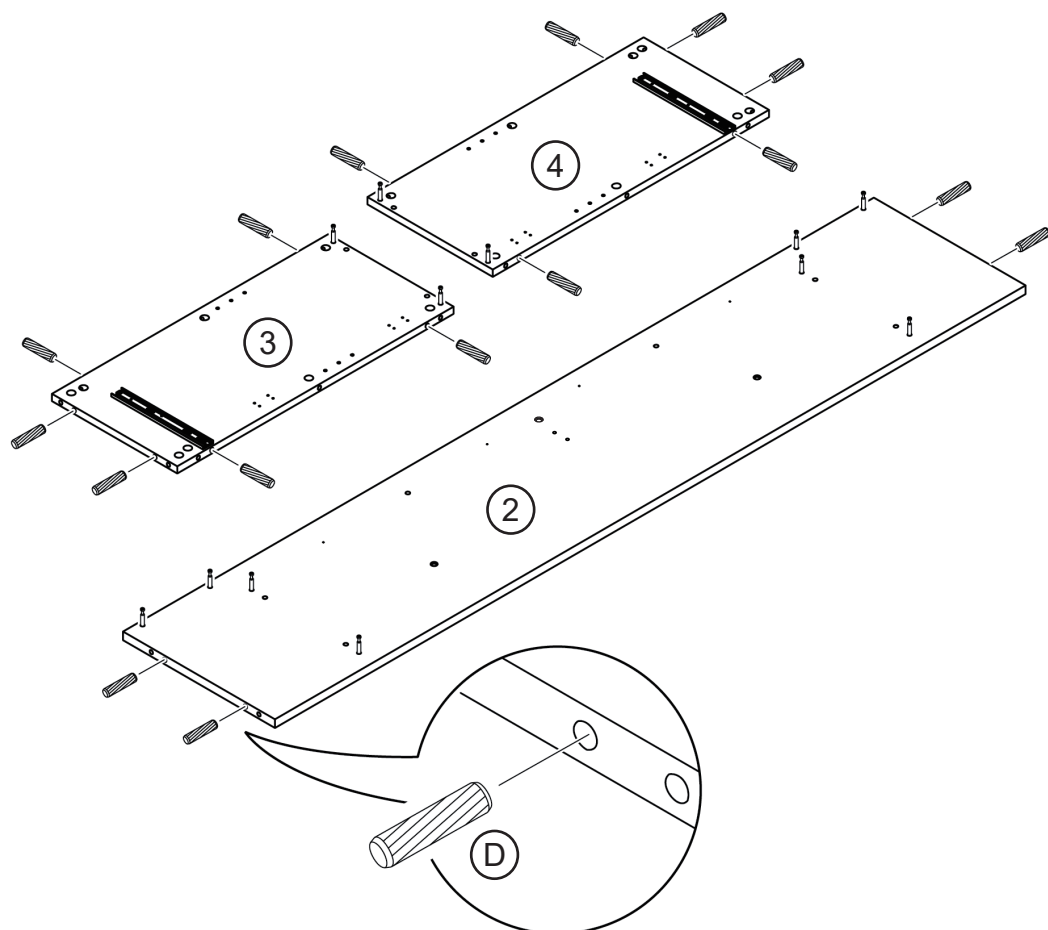
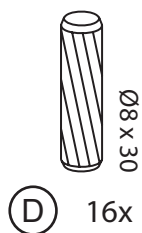
# 18

Attach cam bolts to all the legs (14, 15, 16, 17).



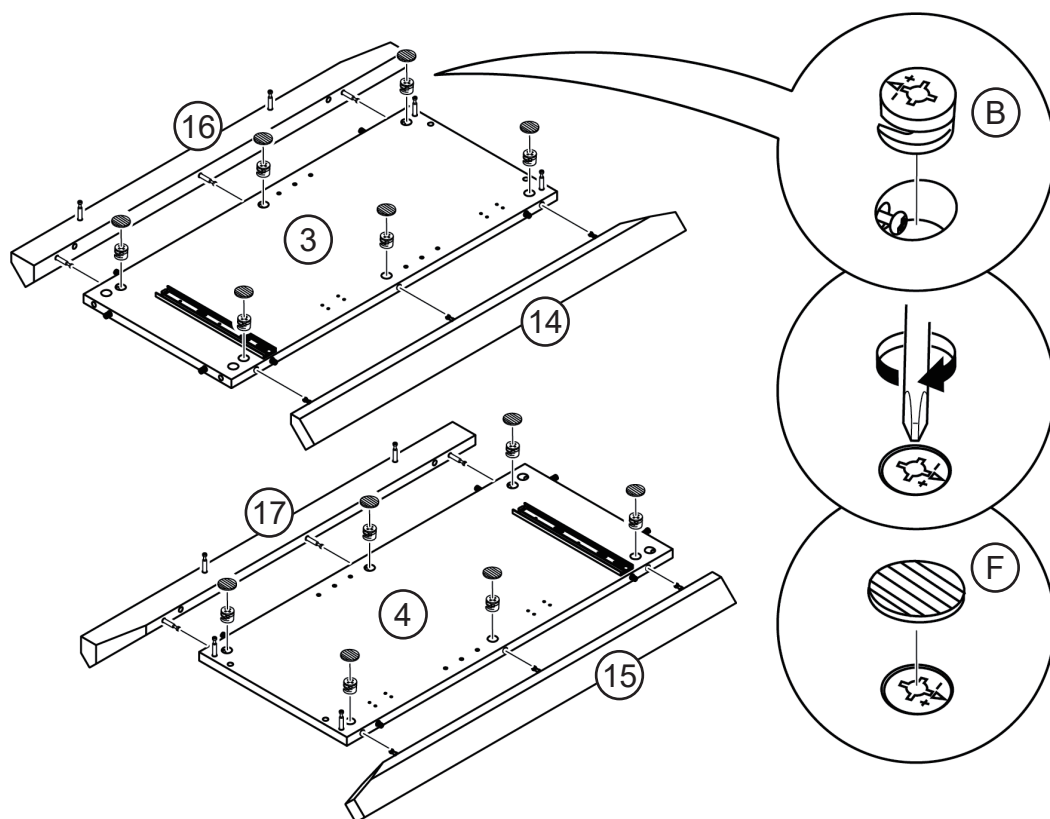
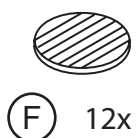
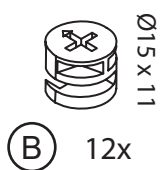
# 19

Insert wood dowels to the bottom panel (2) and lateral panels (3, 4).



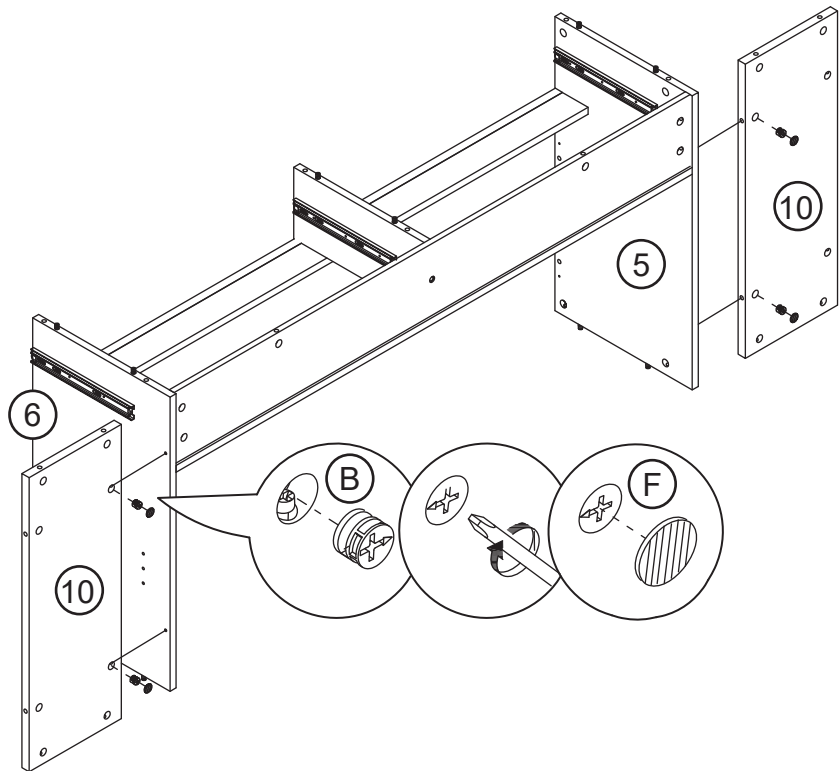
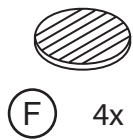
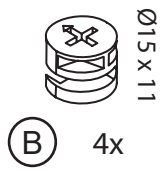
# 20

Assemble left legs (14, 16) to the left lateral panel (3) and then the right legs (15, 17) to the right lateral panel (4).



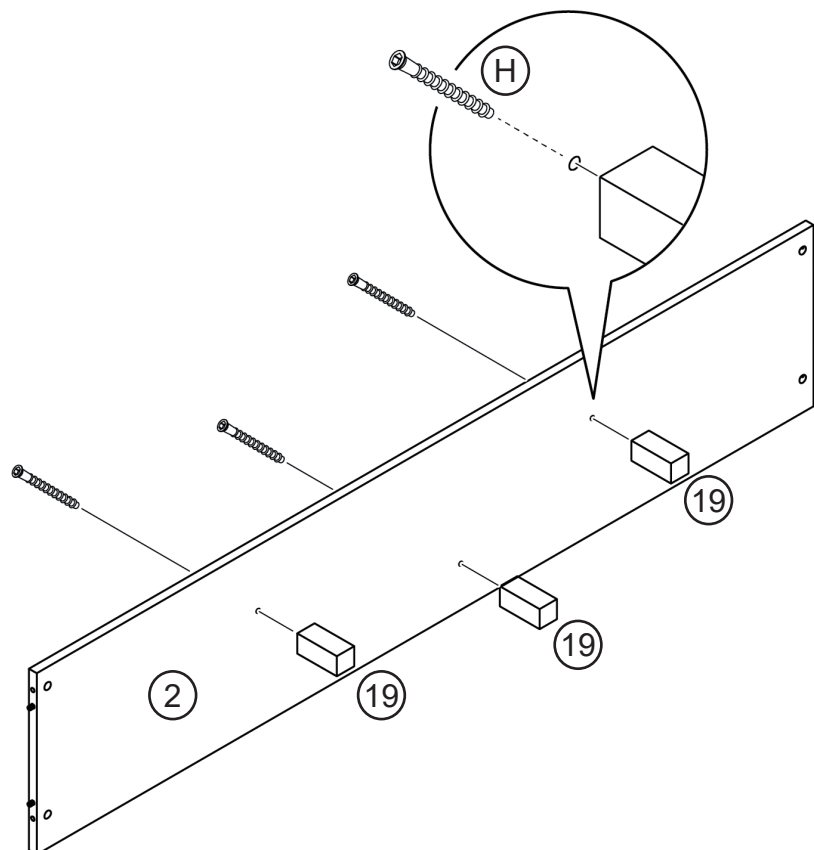
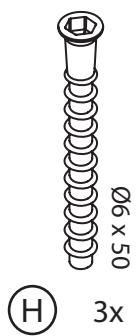
# 21

Attach the side back panels (10) to each side of the medial panels (5, 6).



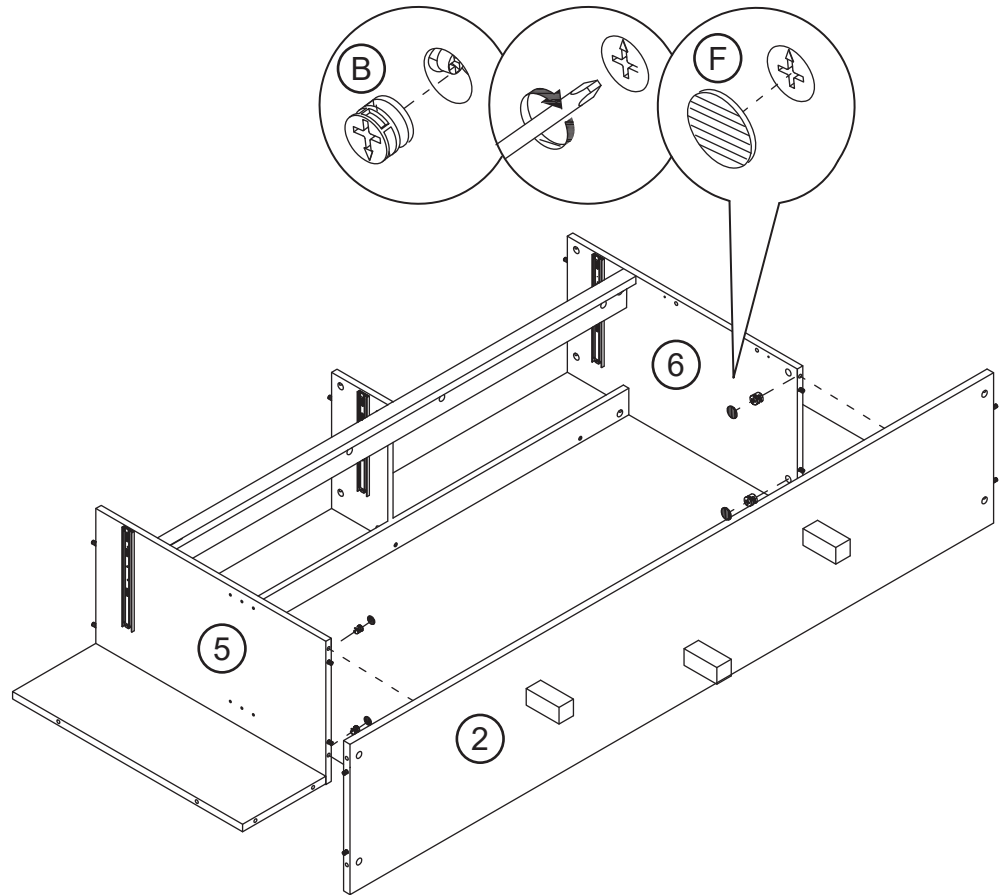
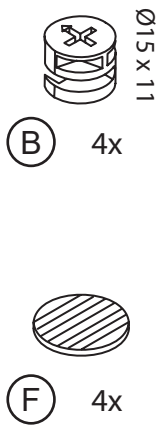
# 22

Attach support legs (19) underneath the bottom panel (2).



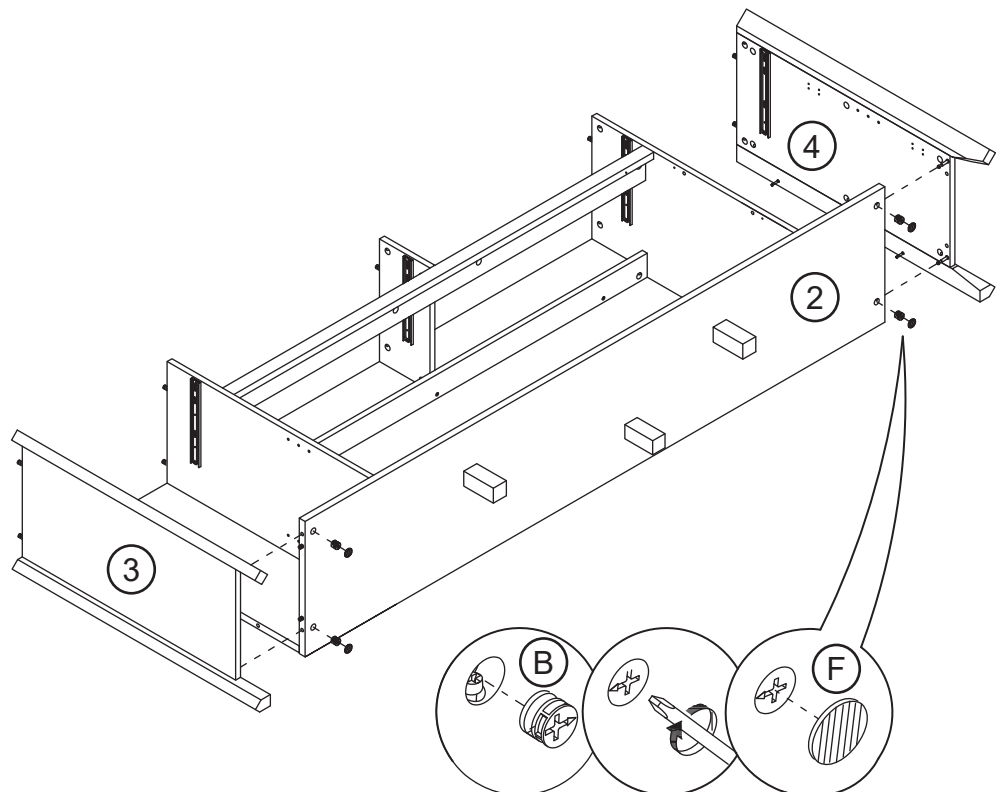
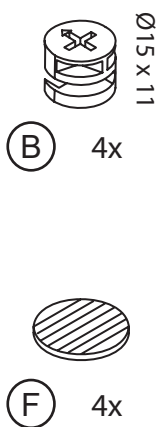
# 23

Assemble the medial panels (5, 6) to the bottom panel (2).



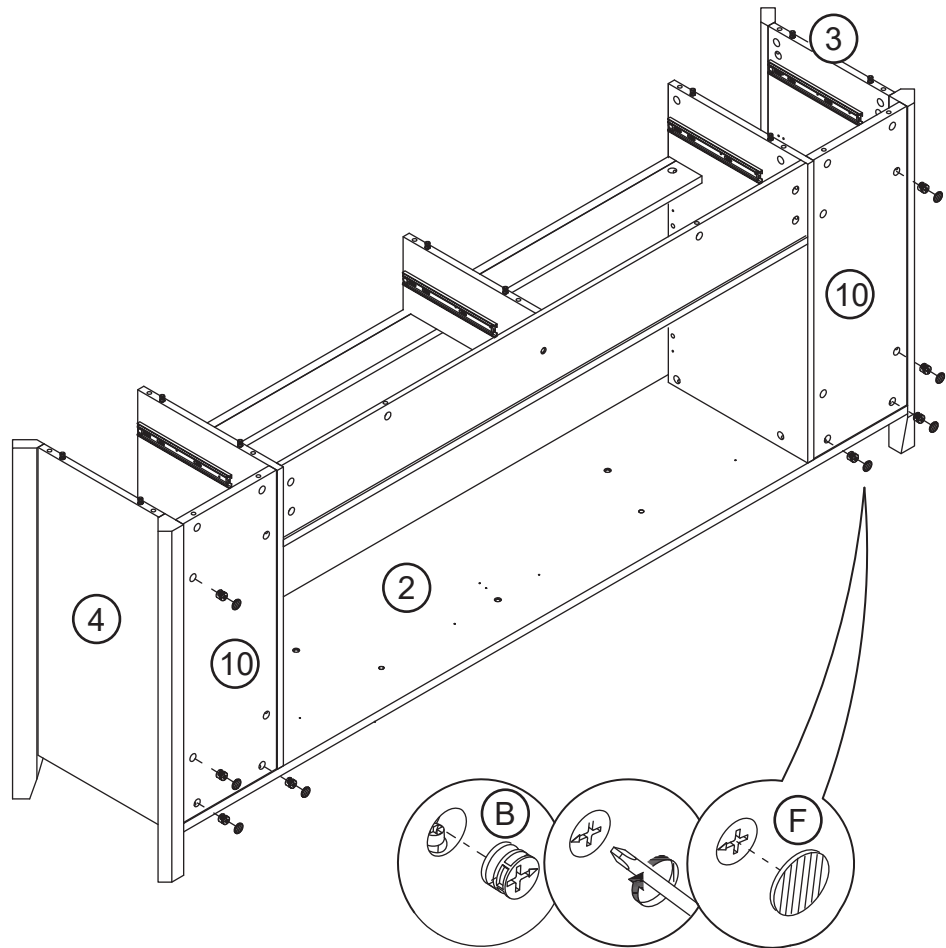
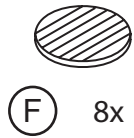
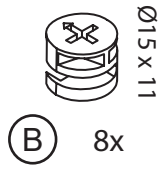
# 24

Assemble the lateral panels (3, 4) to each side of the bottom panel (2).



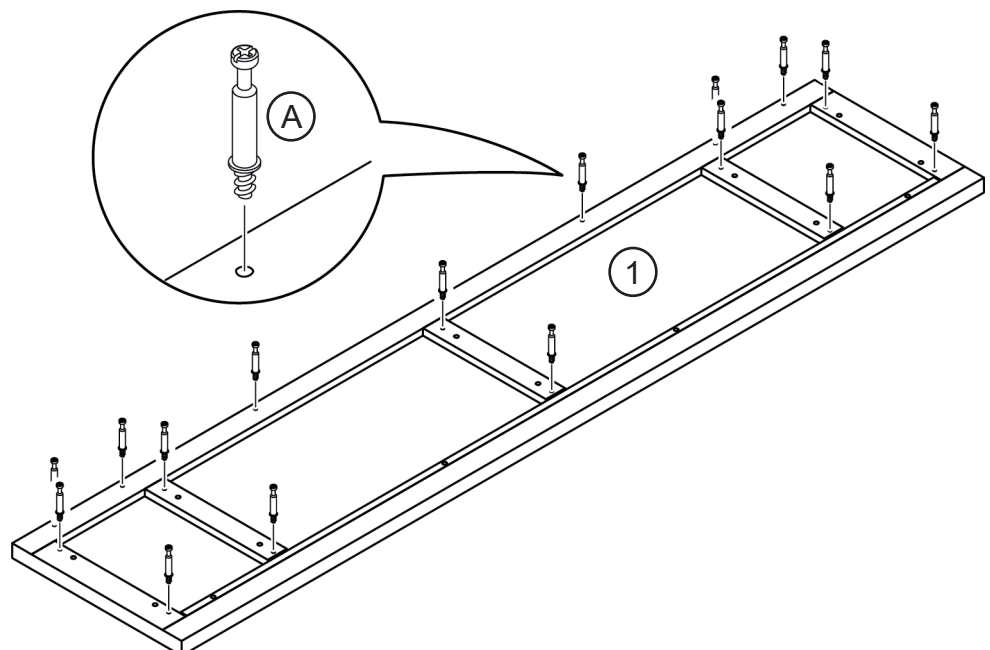
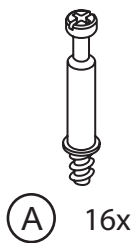
# 25

Secure the side back panels (10) to the lateral panels (3, 4) and the bottom panel (2).



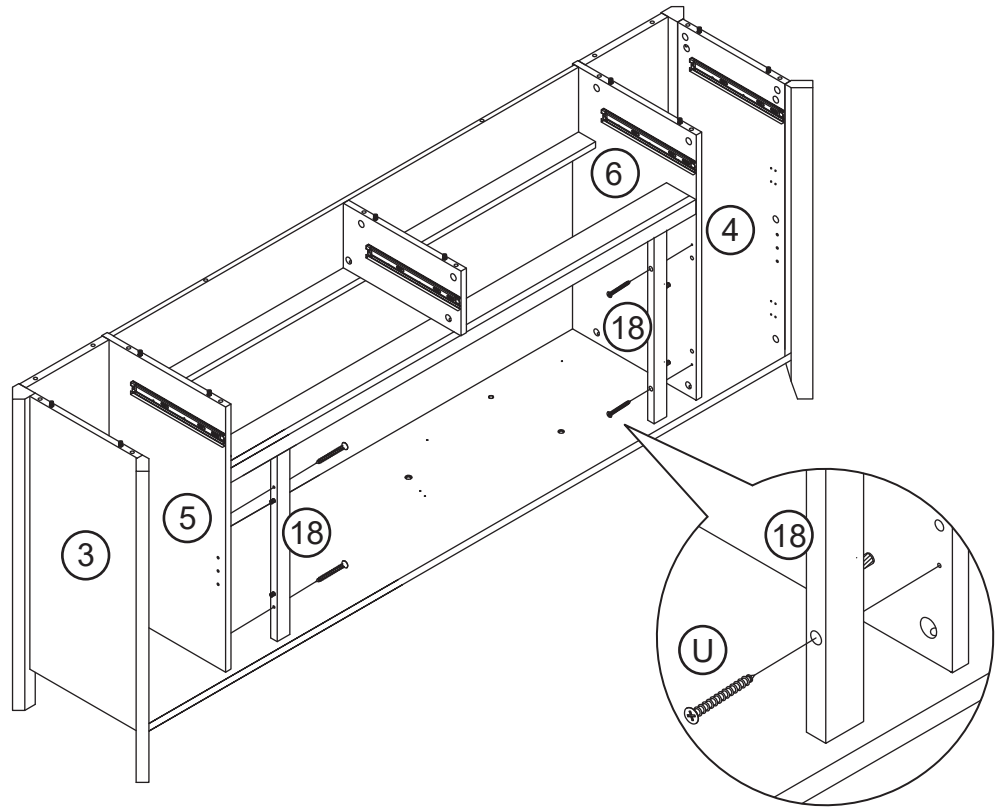
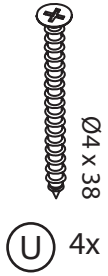
# 26

Attach cam bolts to the top panel (1).



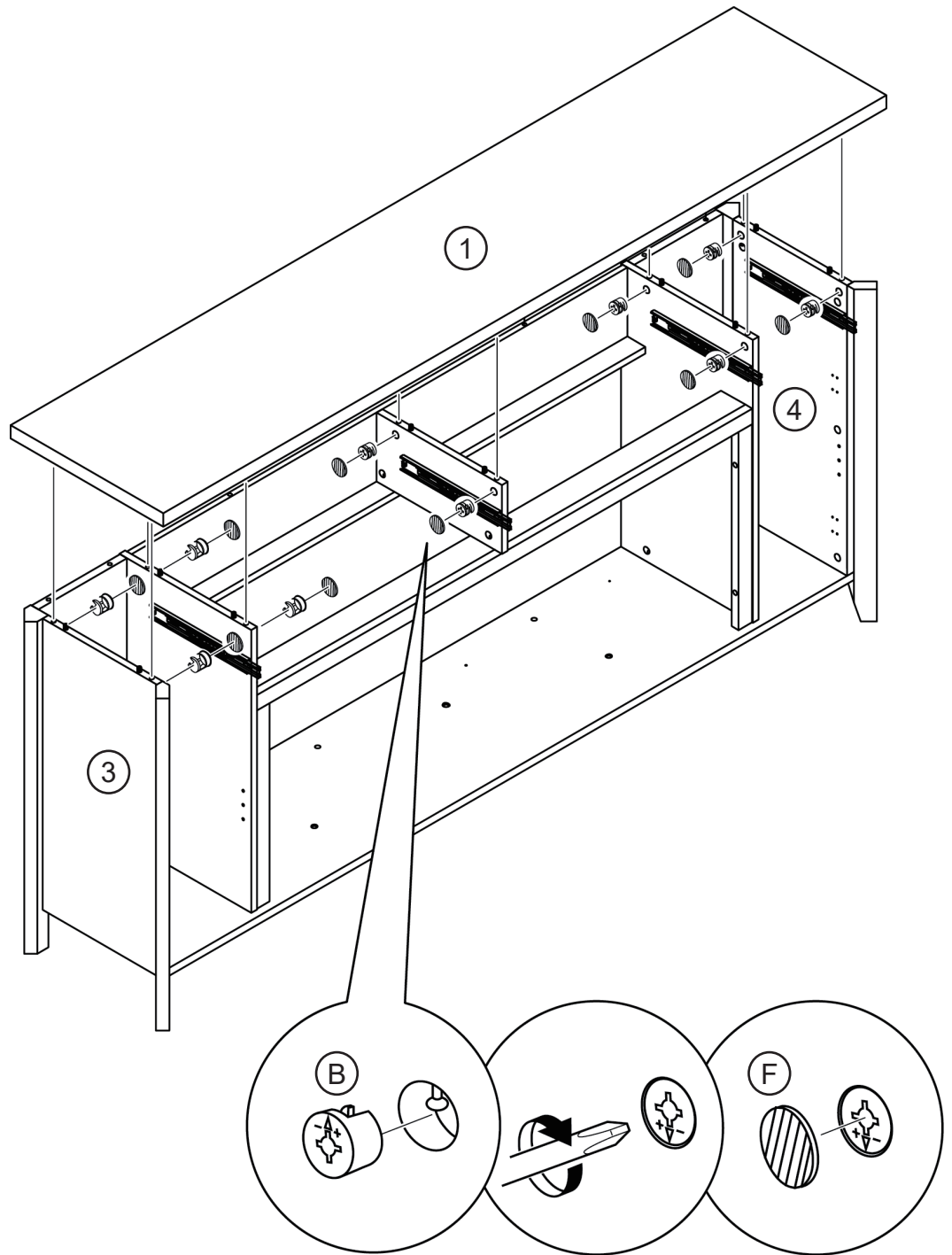
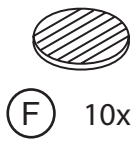
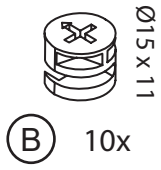
# 27

Attach side surround panels (18) to the medial panels (5, 6).



# 28

Assemble the top panel (1) on top of the stand assembly.



# 29

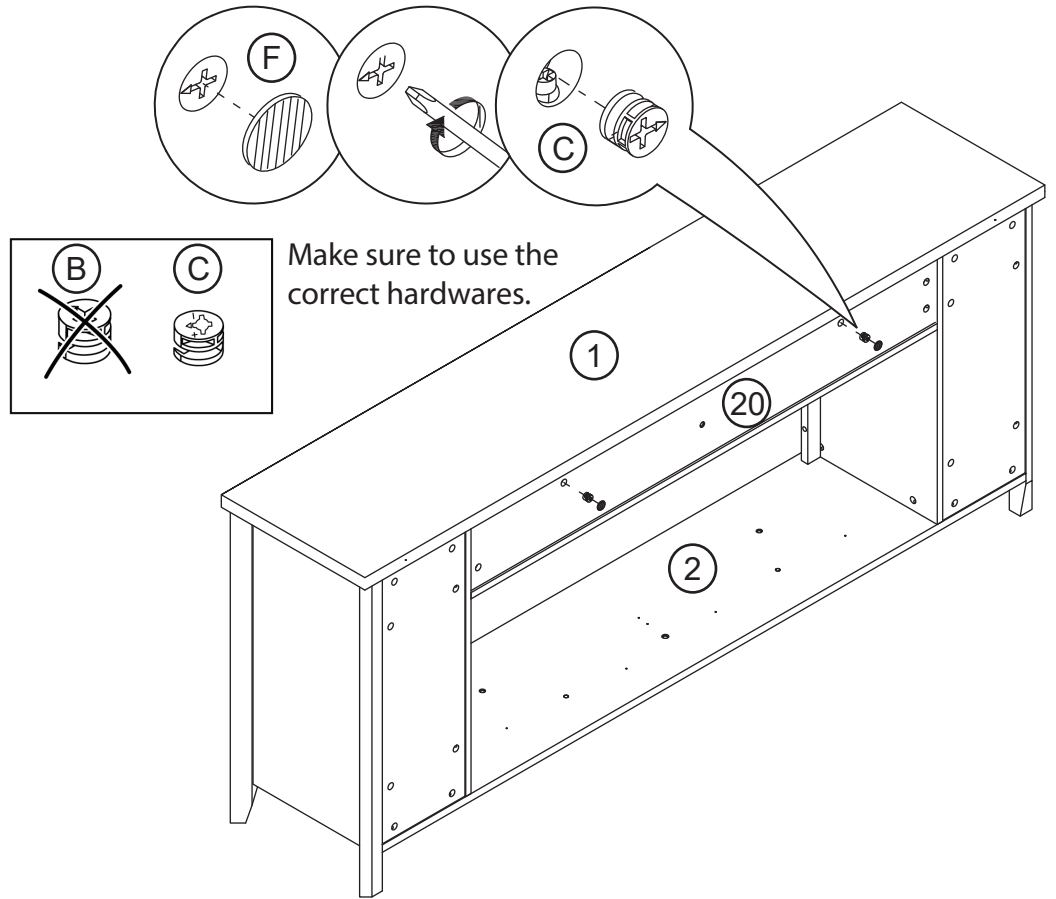
Secure the top panel (1) to the center back panel (20).



(C) 2x



(F) 2x



# 30

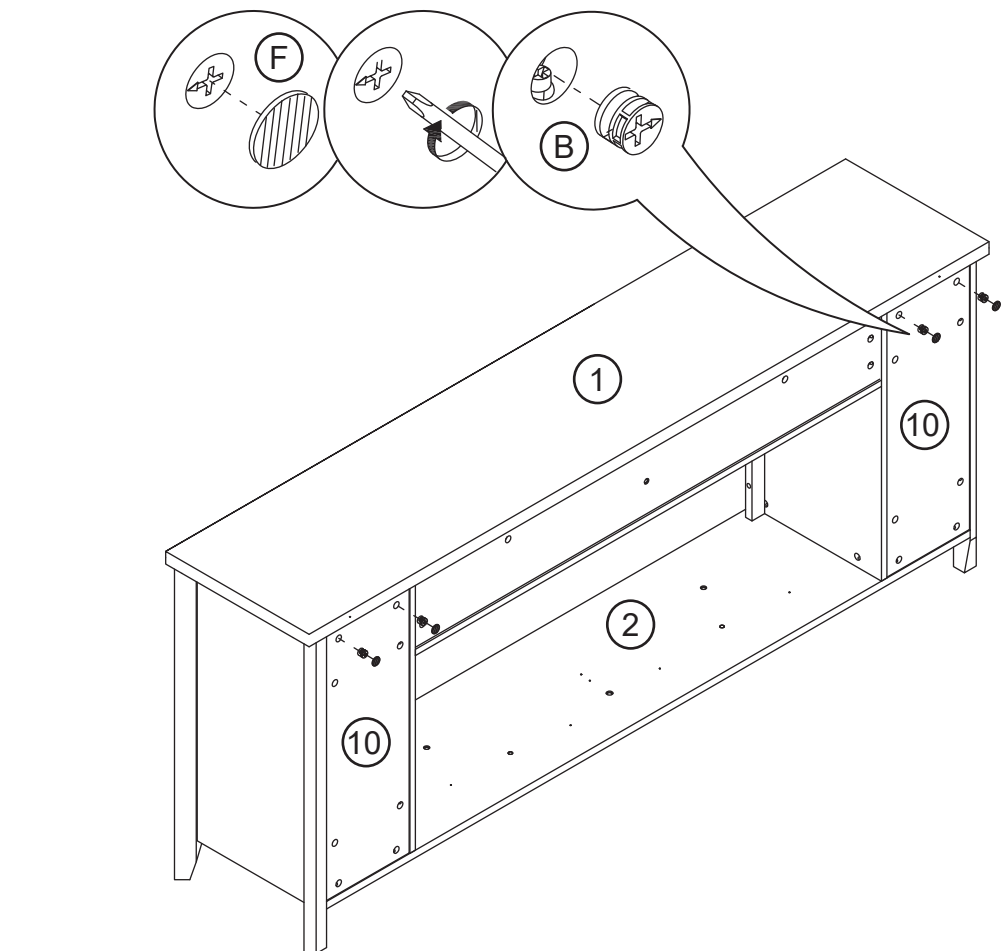
Secure the top panel (1) to the side back panel (10).



(B) 4x



(F) 4x

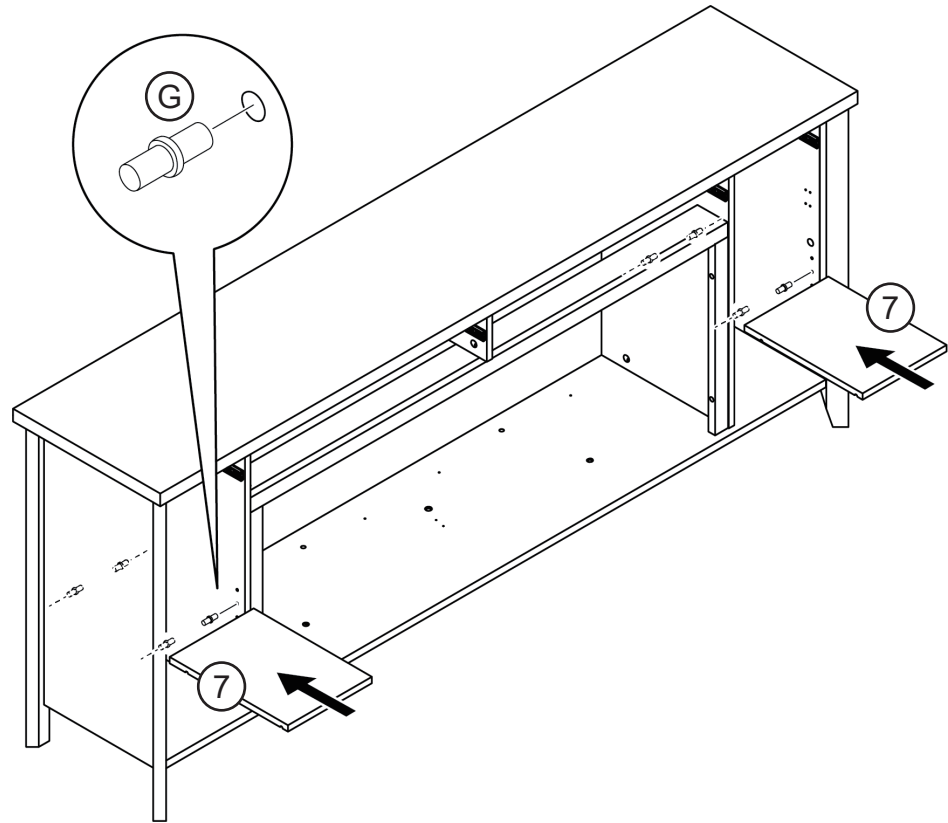


# 31

Insert shelf pegs to the stand and place storage shelf panels (7) onto the pegs.

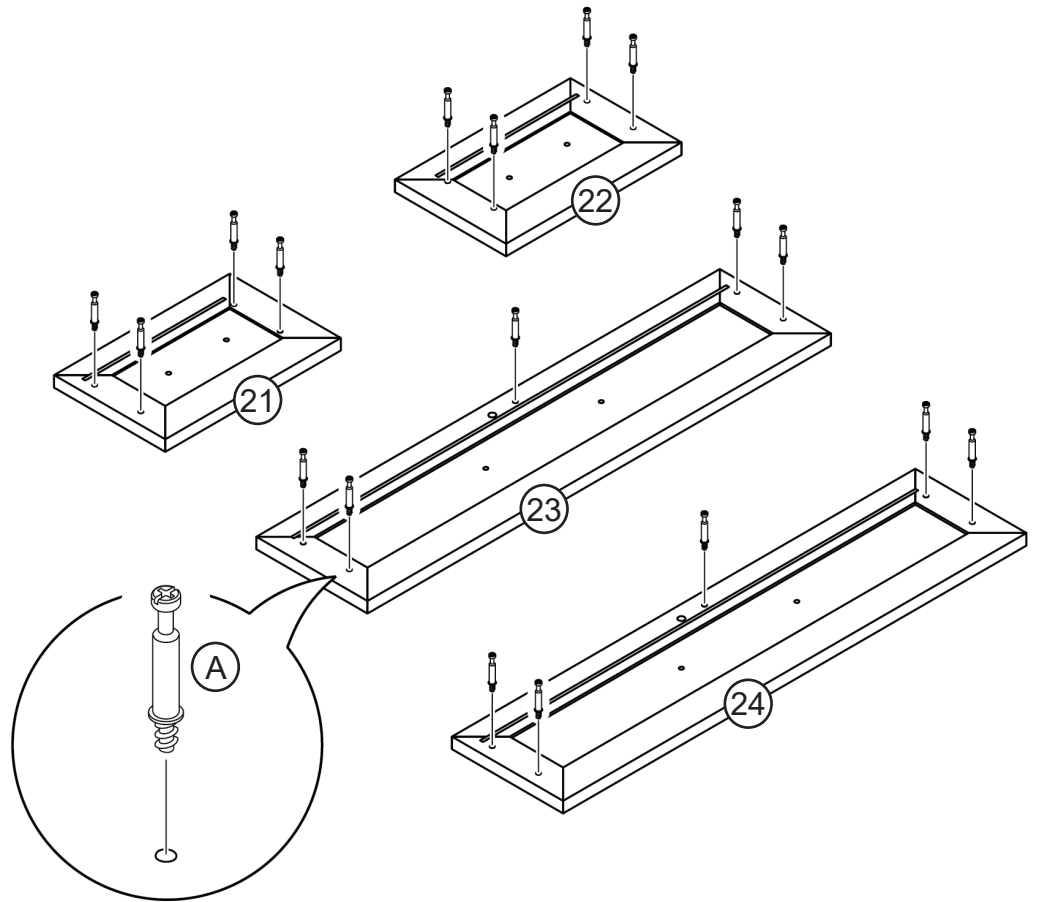
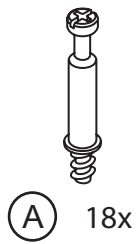


ⓐ 8x



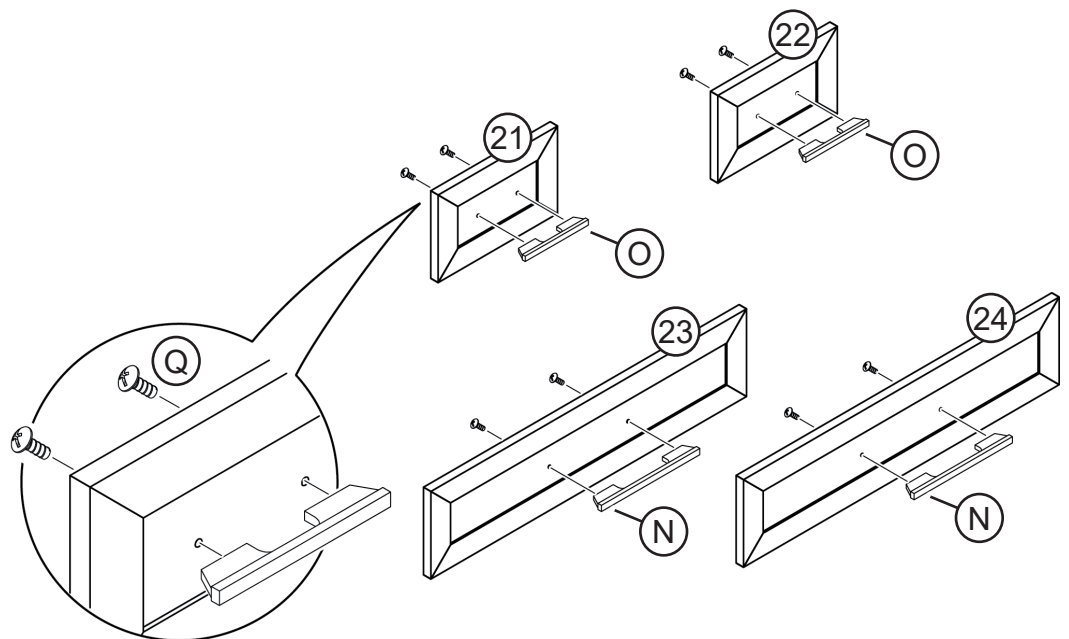
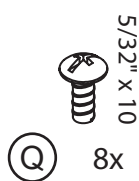
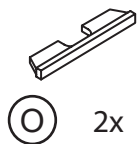
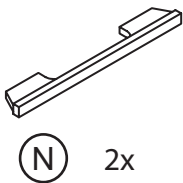
# 32

Attach cam bolts to all the drawer front panels (21, 22, 23, 24).



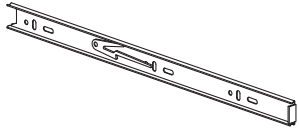
# 33

Attach drawer front handles to all the drawer front panels (21, 22, 23, 24).



# 34

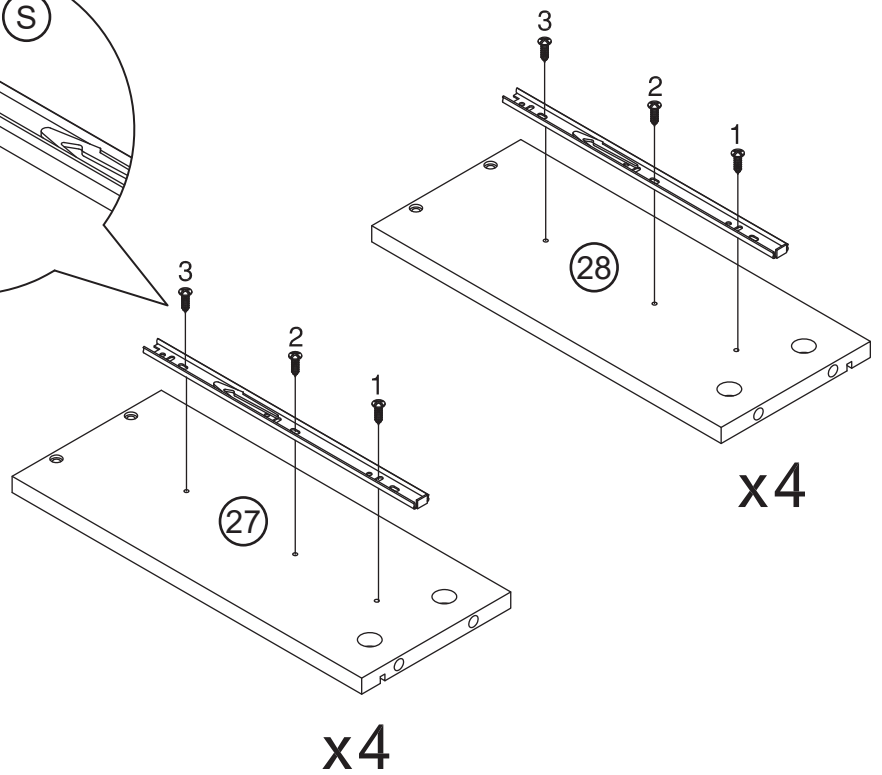
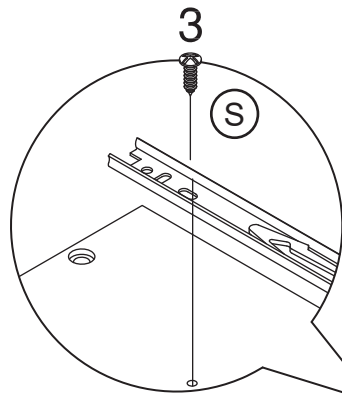
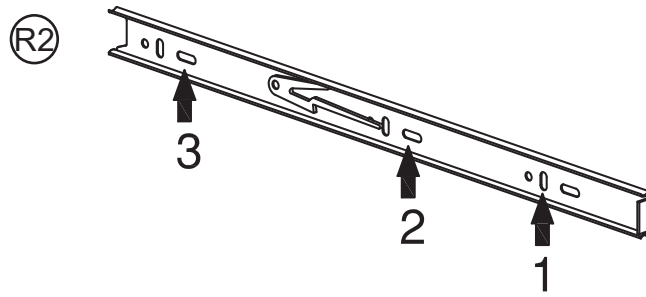
Attach sliders to all the drawer side panels (27, 28).



(R2) 8x

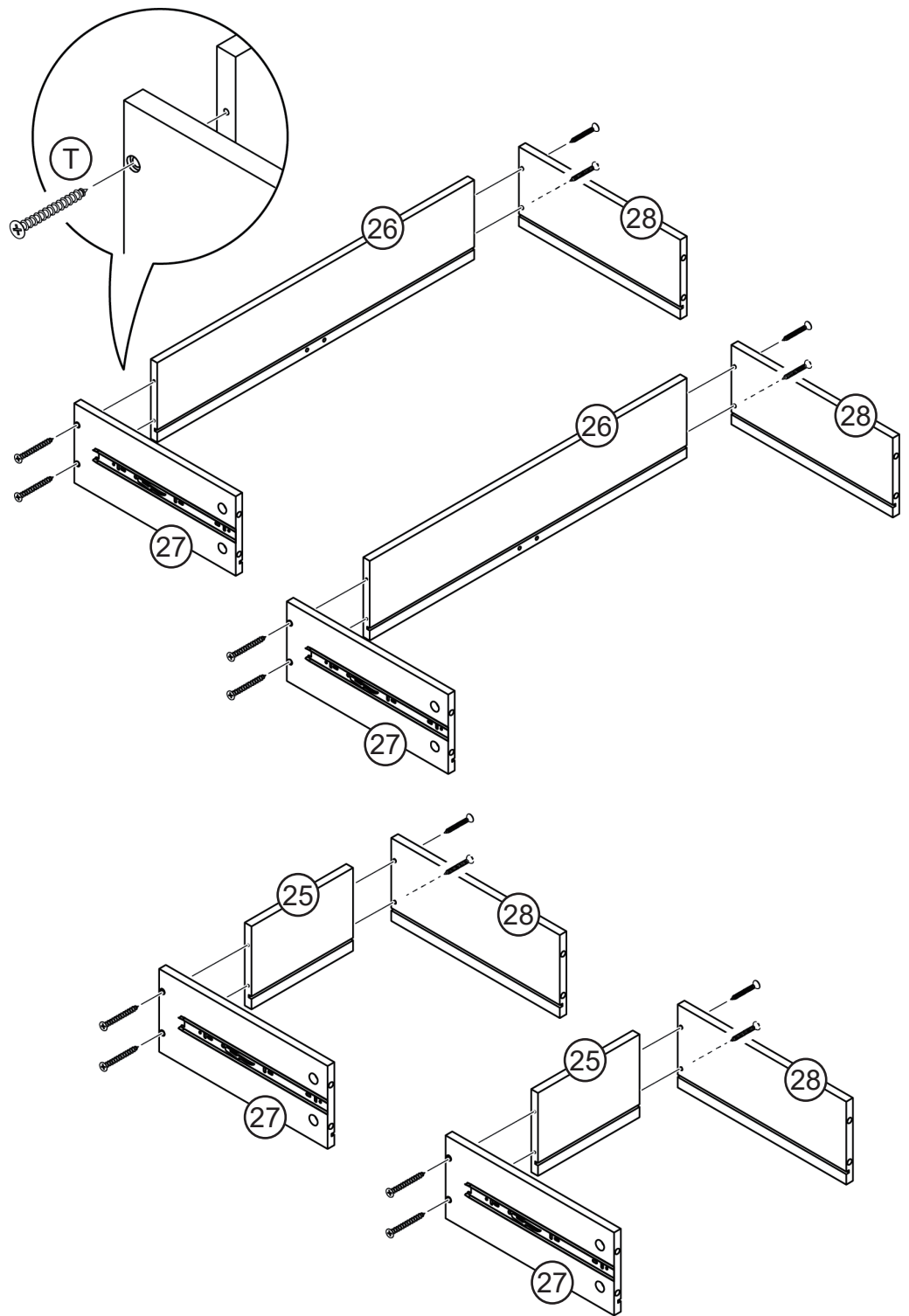
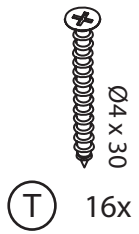


(S) 24x



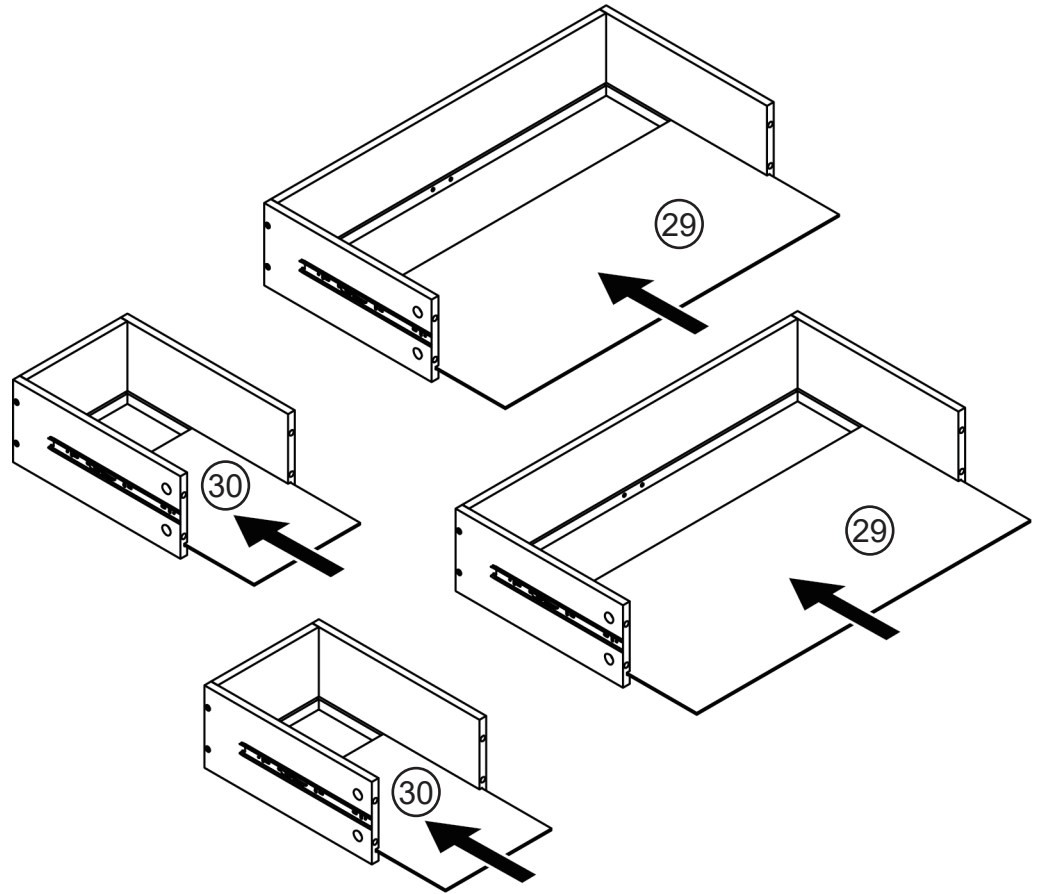
# 35

Assemble drawer back panels (25, 26) between the drawer side panels (27, 28).



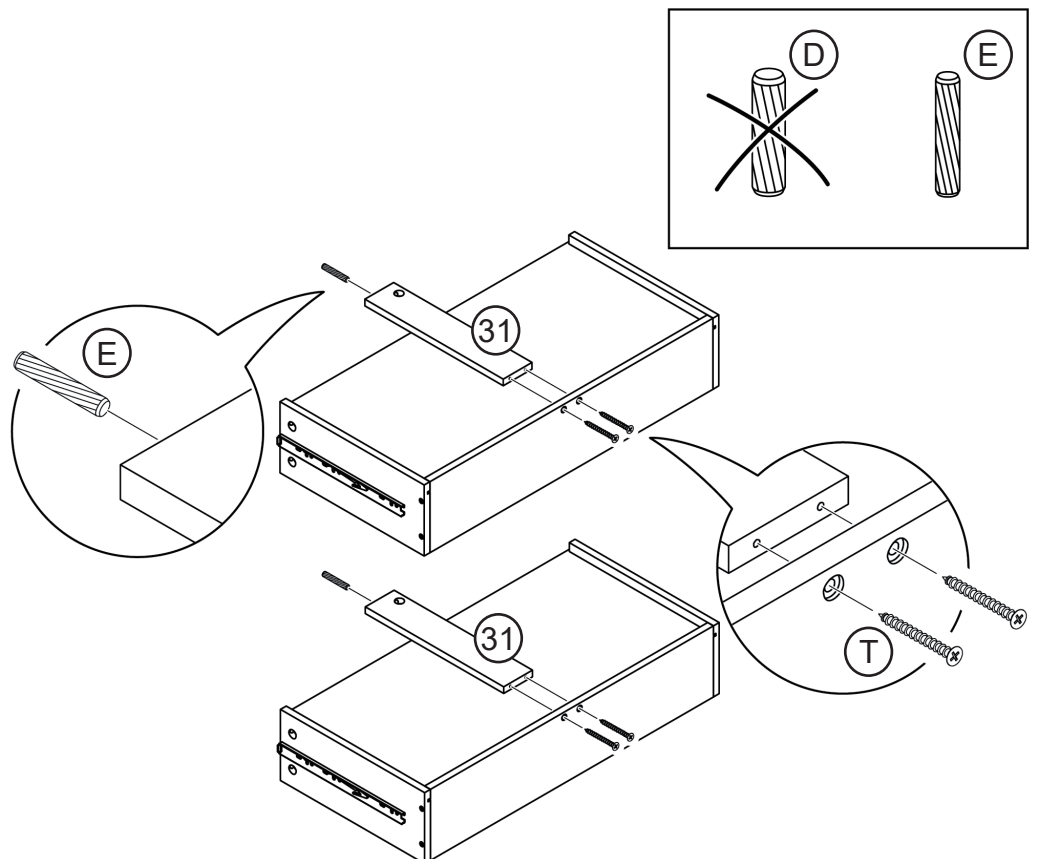
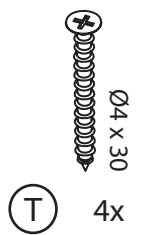
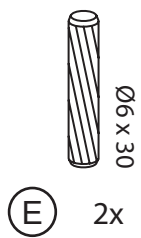
# 36

Slide drawer bottom panels (29, 30) to the drawer assemblies.



# 37

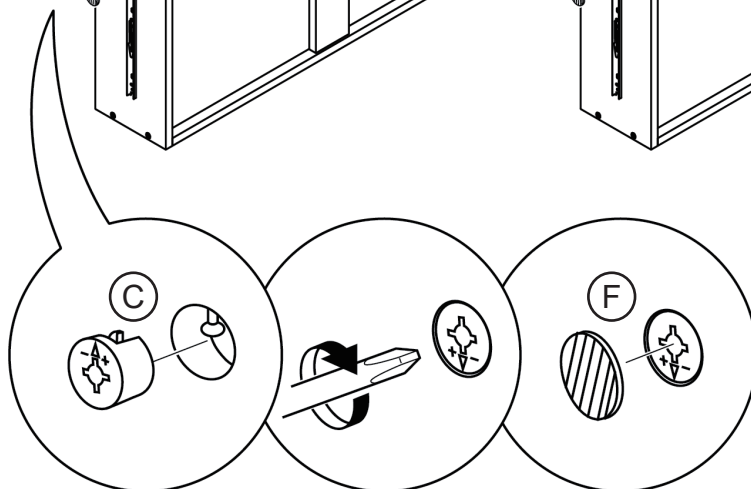
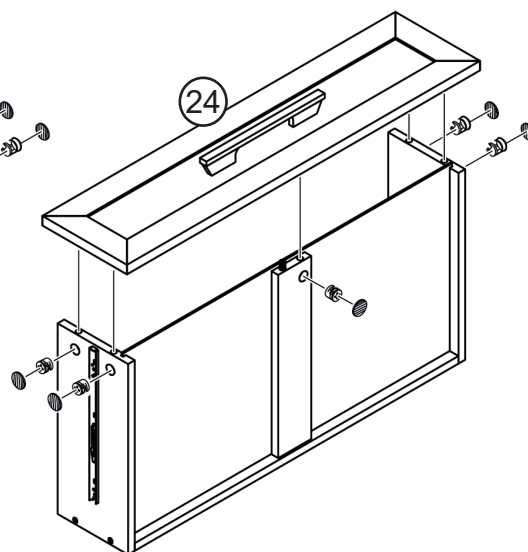
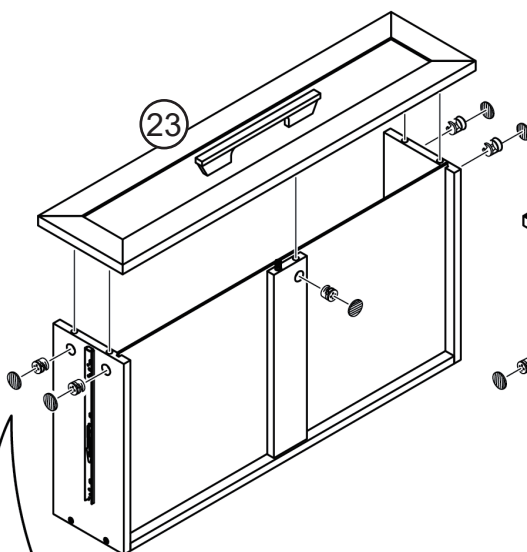
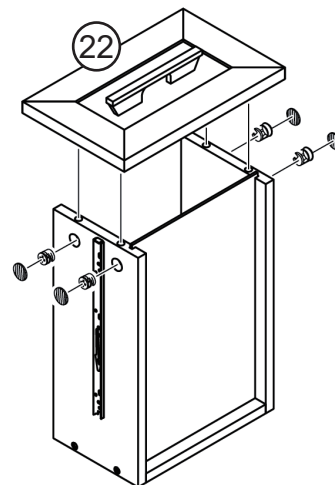
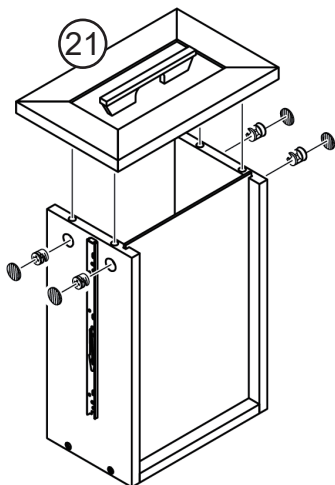
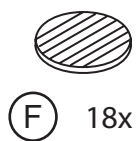
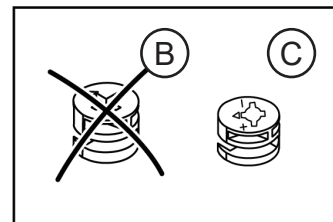
Attach drawer support strips (31) to the big drawers.



# 38

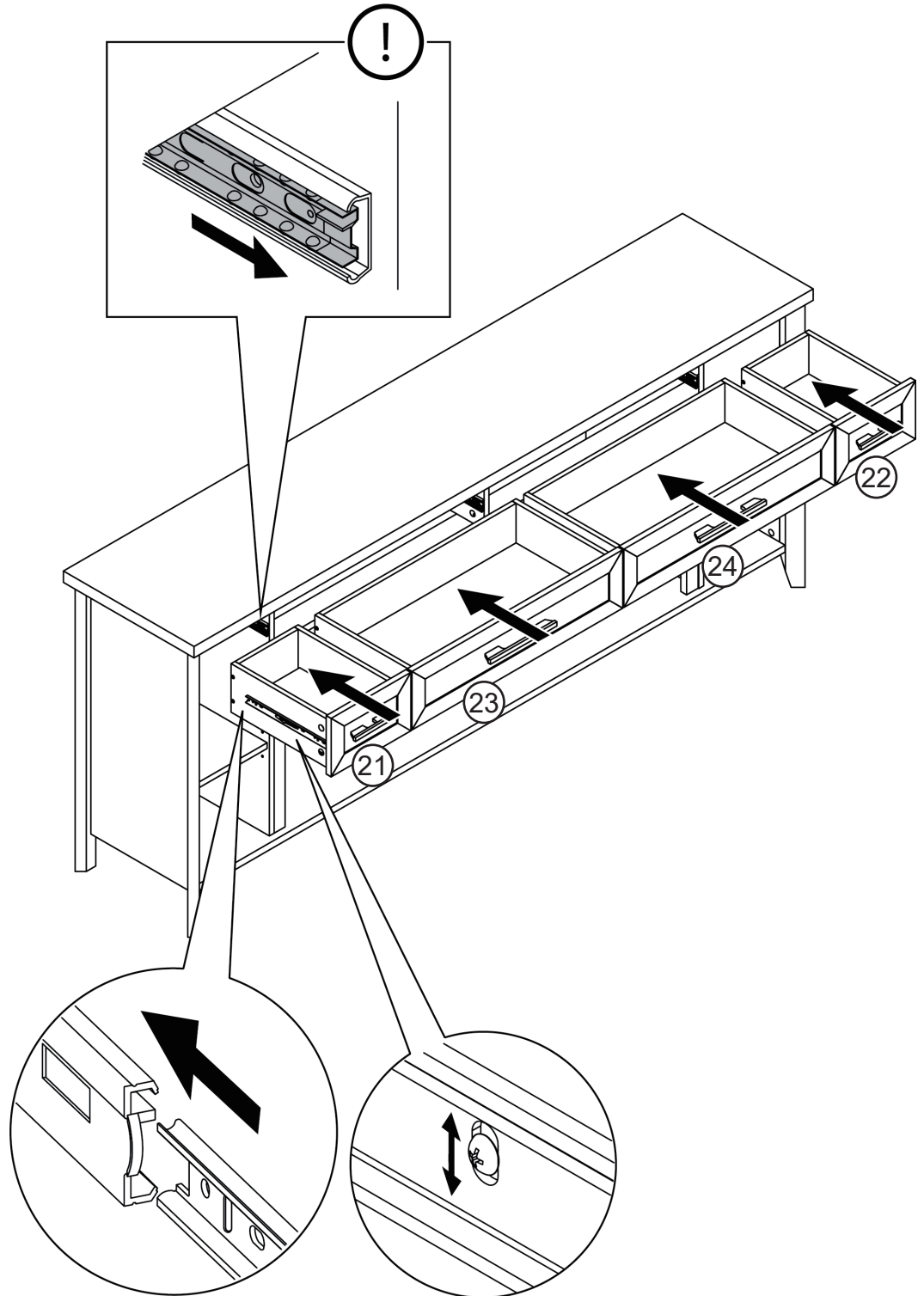
Assemble the drawer front panels (21, 22, 23, 24) to the drawers.

Note: Make sure to use the correct hardware.



Slide drawers into the stand.

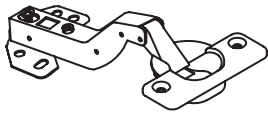
Slide the slider plate to the forward position.



Up and down adjustment by loosening the screws on the slide runner.

# 40

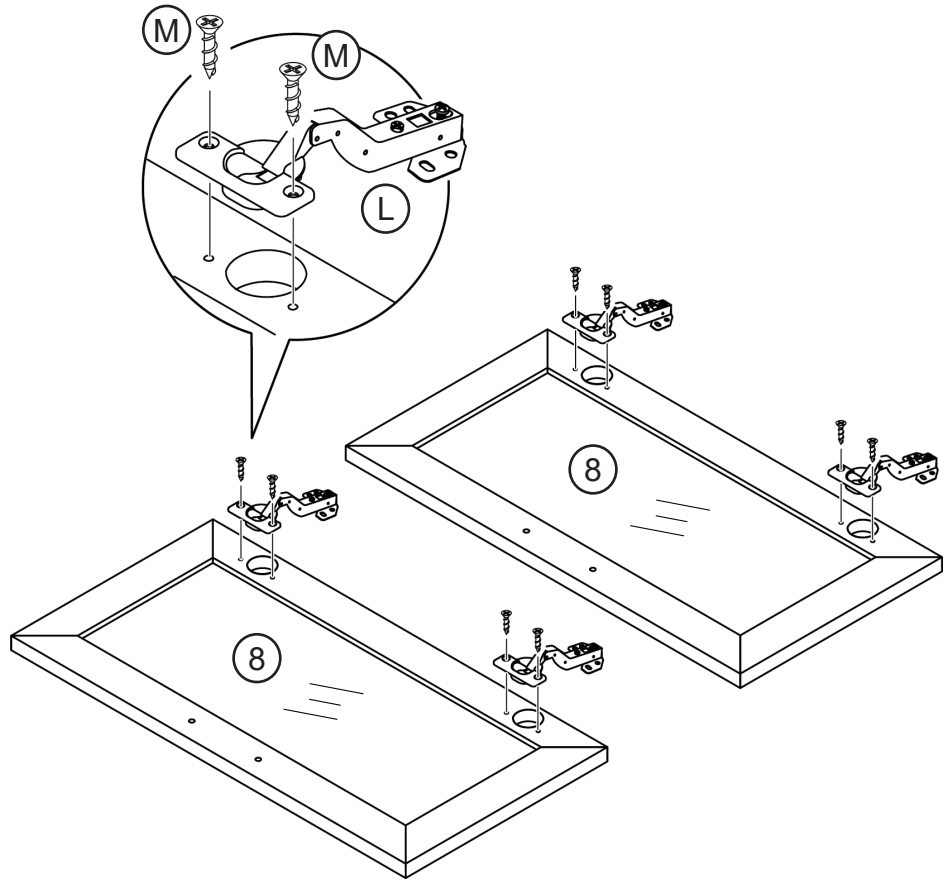
Attach door hinges to the cabinet doors (8).



(L) 4x

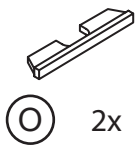


(M) 8x



# 41

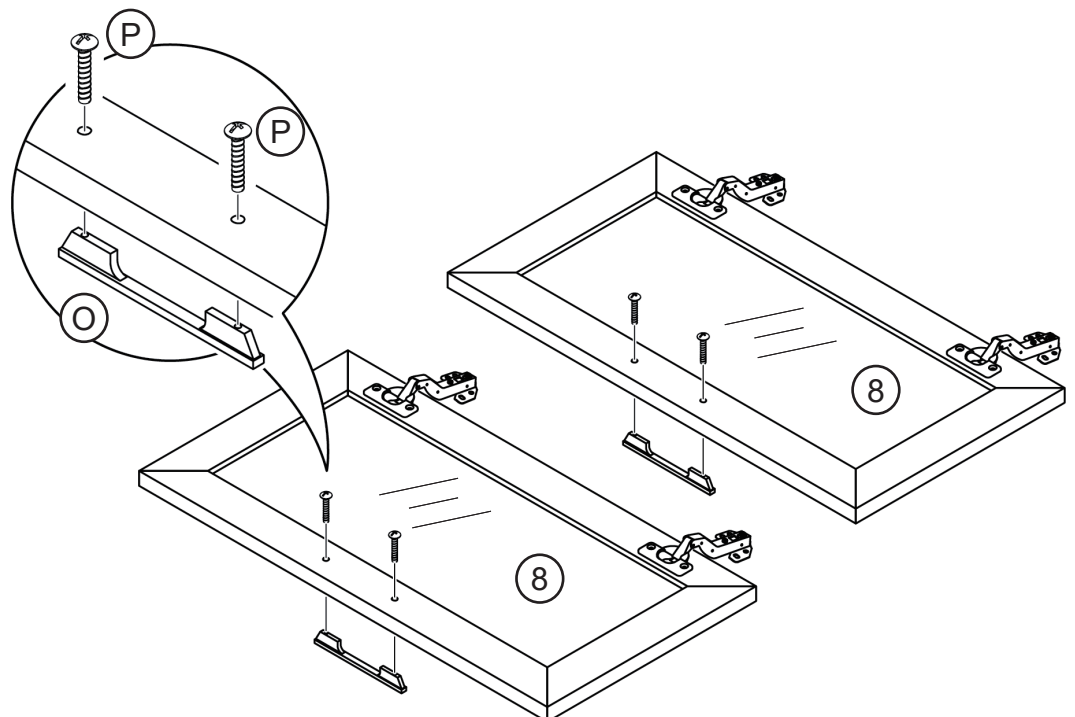
Attach door handles to the cabinet doors.



(O) 2x



(P) 4x

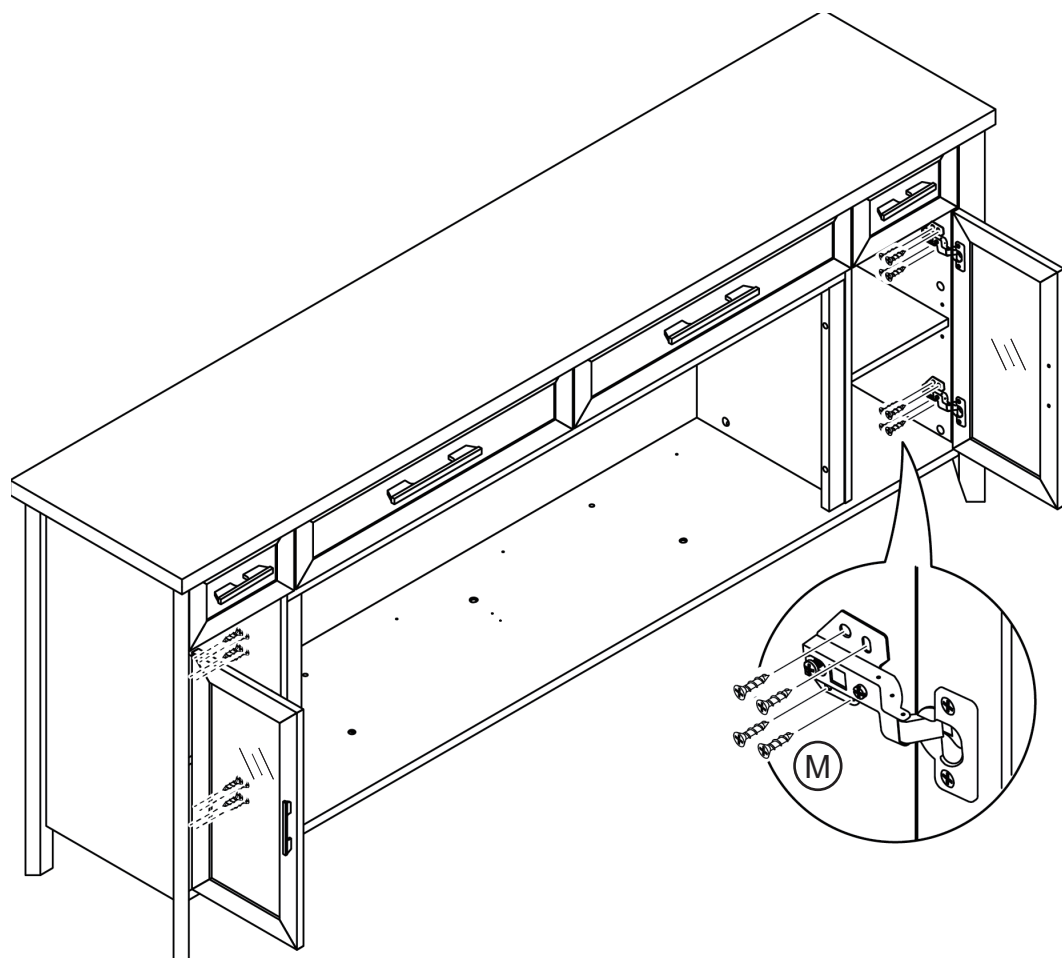


# 42

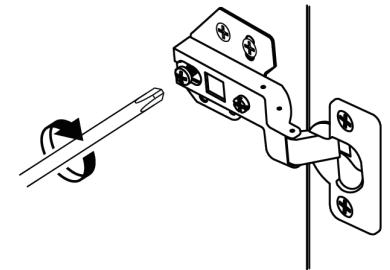
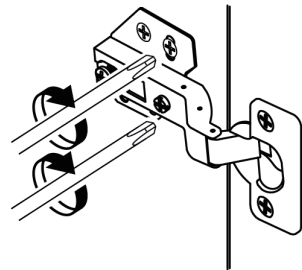
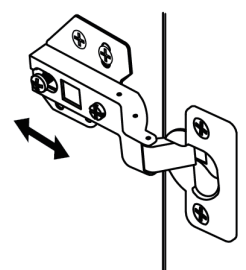
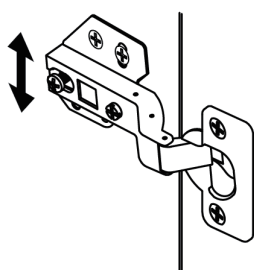
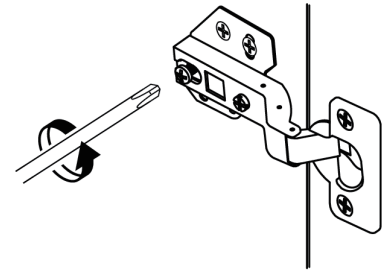
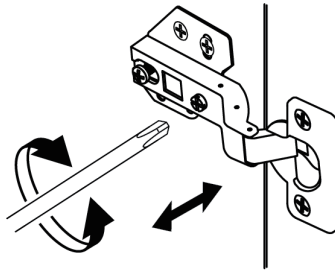
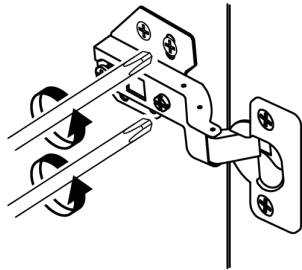
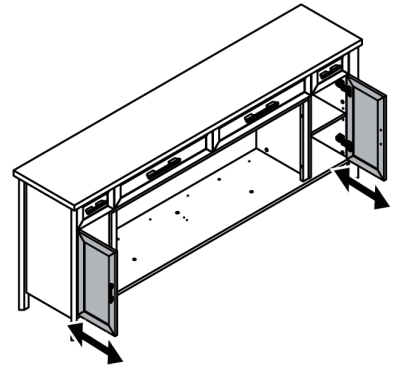
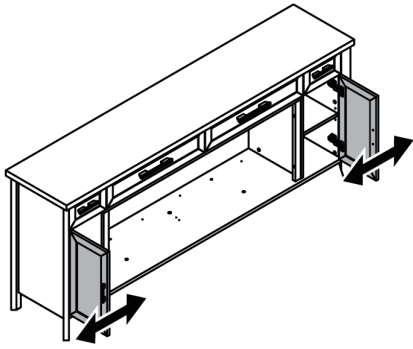
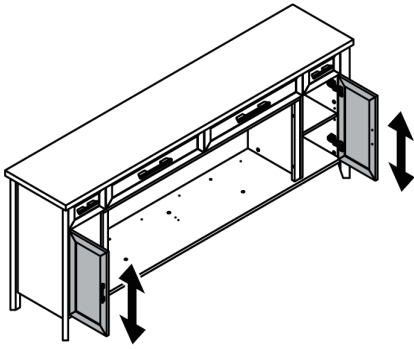
Attach cabinet doors to the stand.



(M) 16x



When the clearance of the door is uneven, Adjust the cabinet door according to the figure.  
If you still have trouble while adjusting the door, please contact us.



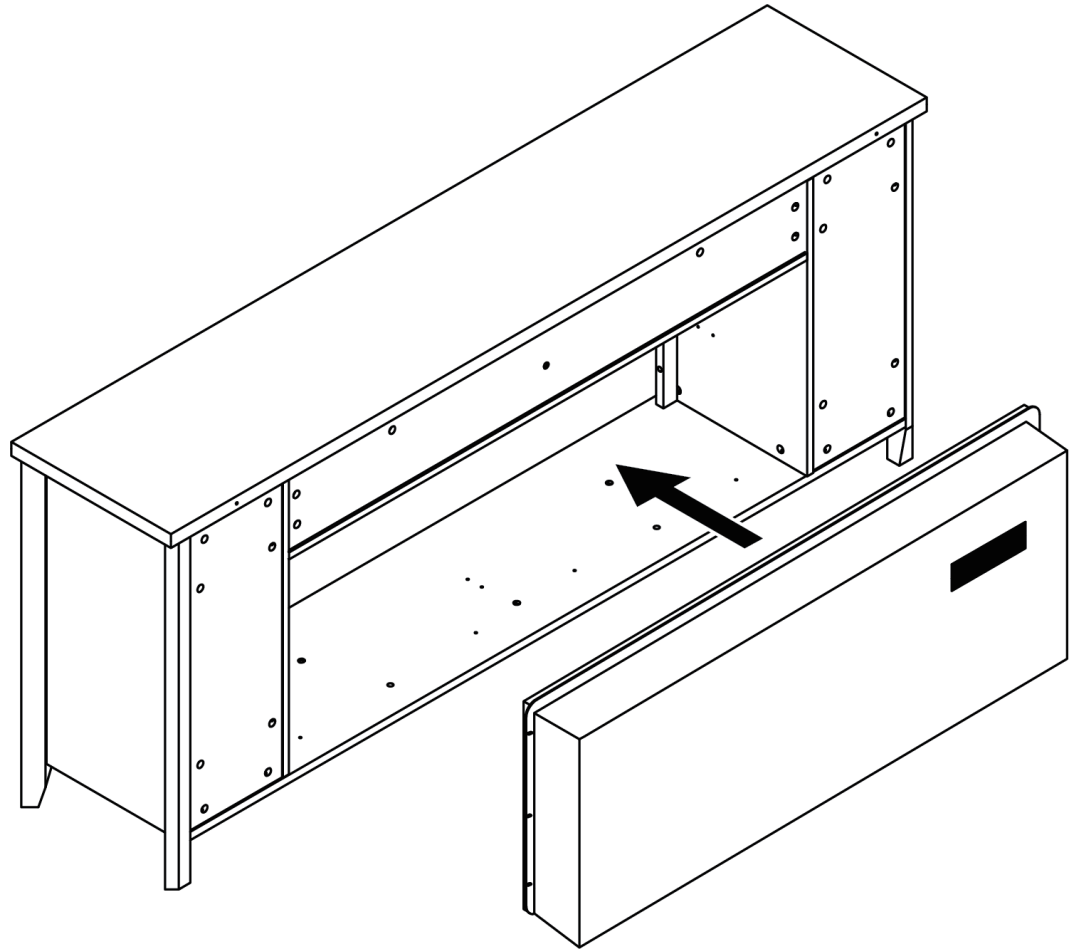
Up and down adjustment by loosening the screws on the mounting plate.

Side to side adjustment using the front adjustment screw on the hinge.

In and out adjustment by loosening the screws on the hinge arm.

# 43

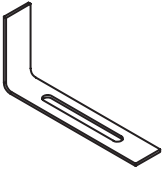
Install the fireplace heater into the stand from the back.



# 44



(S) 6x



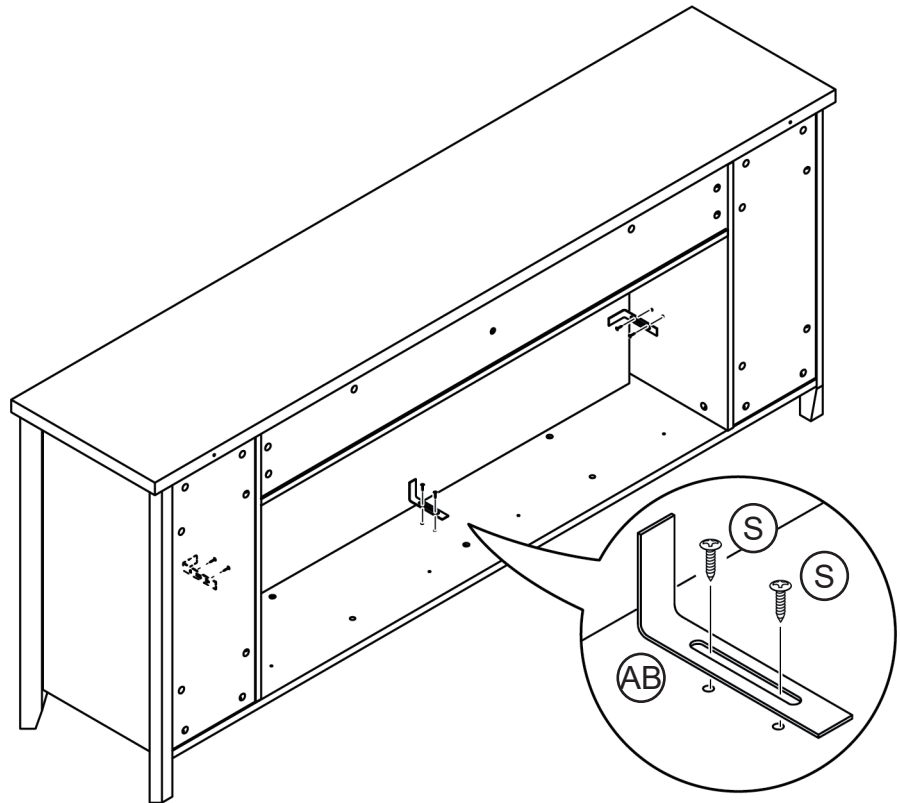
(AB) 3x

Hold the fireplace heater in place with included bracket.

**CAUTION:** The heater has a glass front panel. Careful when handling glass to prevent injury or damage.

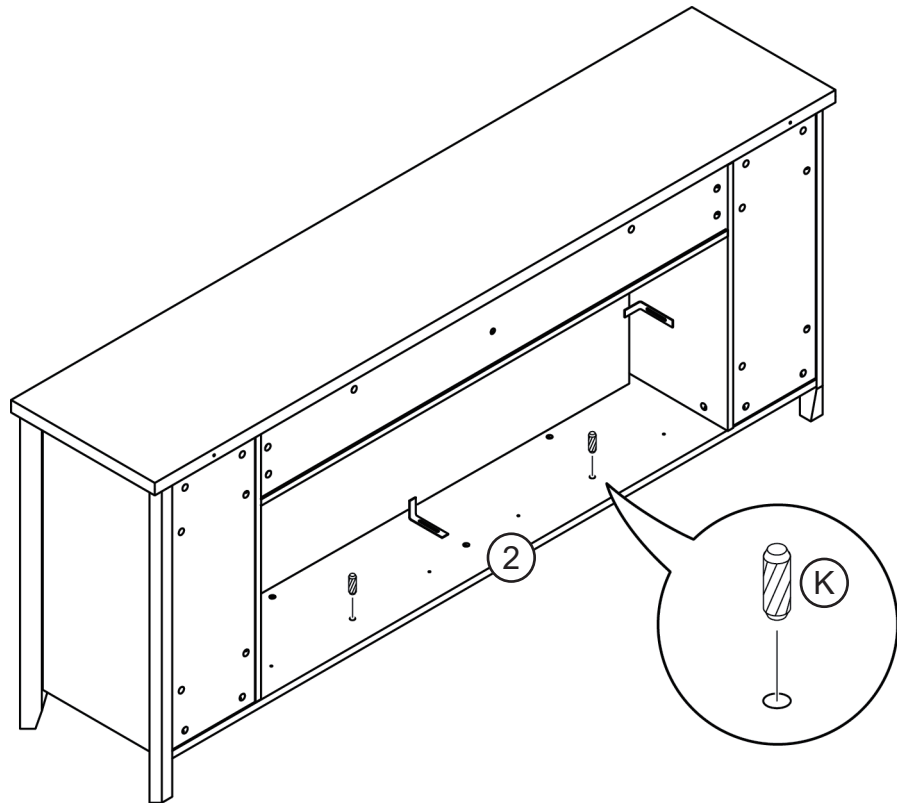
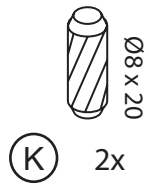
Set the fireplace heater from the back of the mantel and center it in the opening. For the exact instruction, please refer to the user's manual provided with the fireplace heater.

**NOTE:** Do not attempt to install the unit from the front of the fireplace mantel. It will not fit.



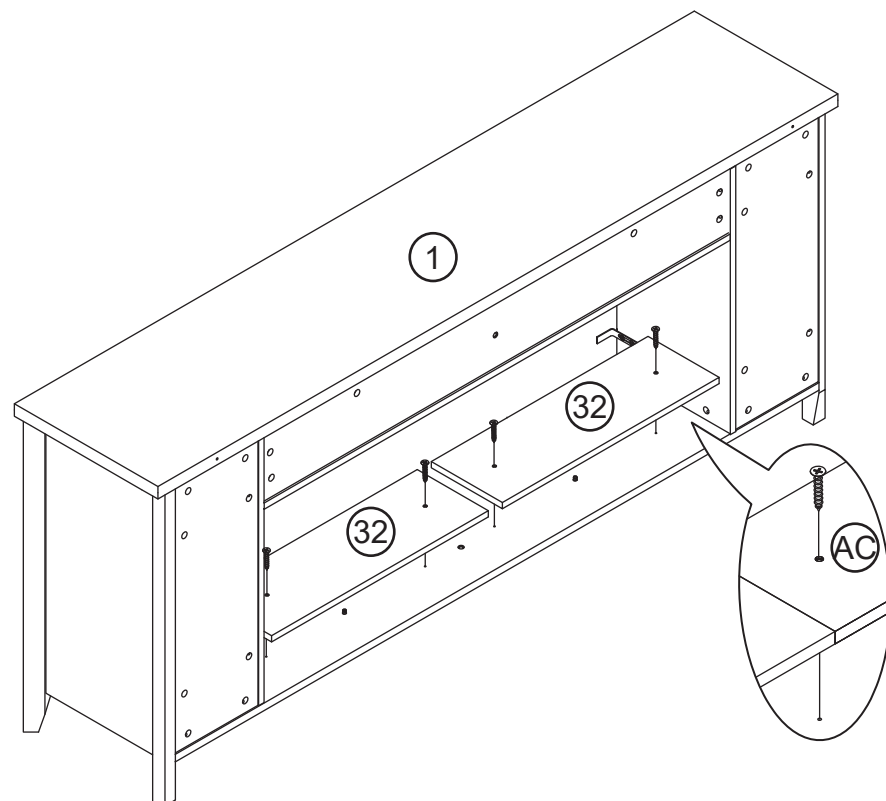
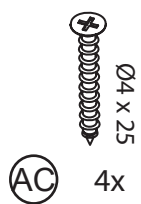
# 45

Insert small wood dowels to the bottom panel (2).



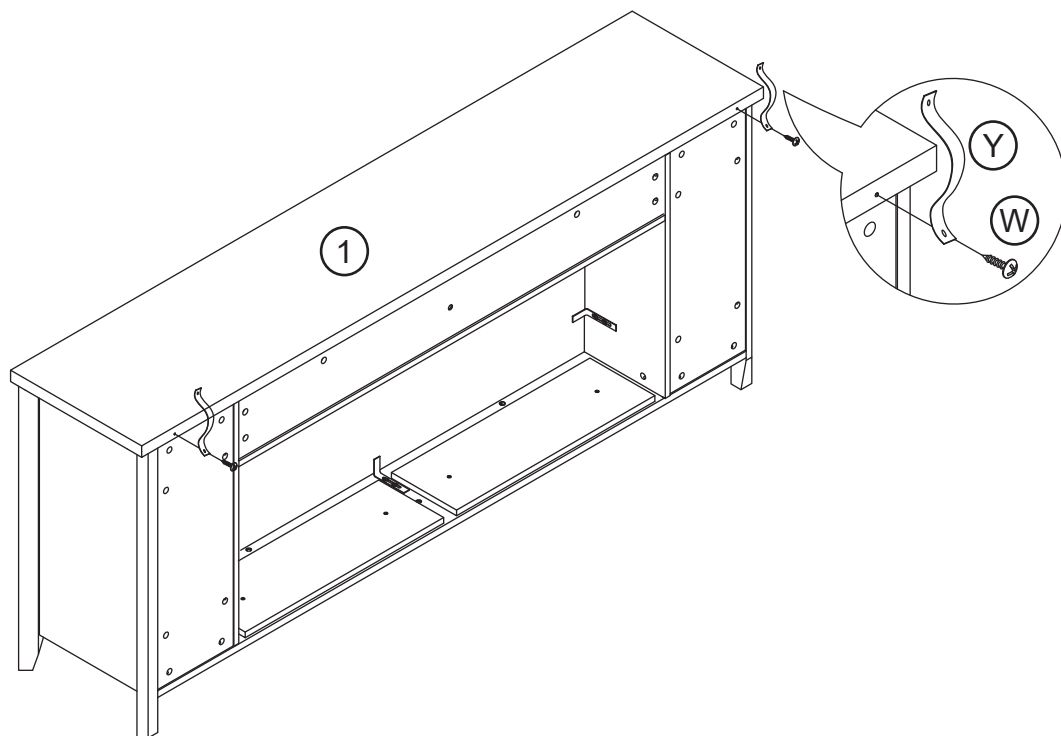
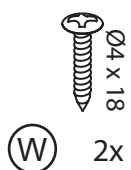
# 46

Attach counter weight panels (32) on top of the bottom panel (2).



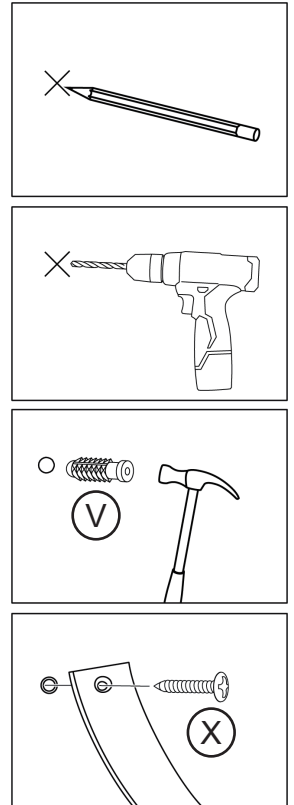
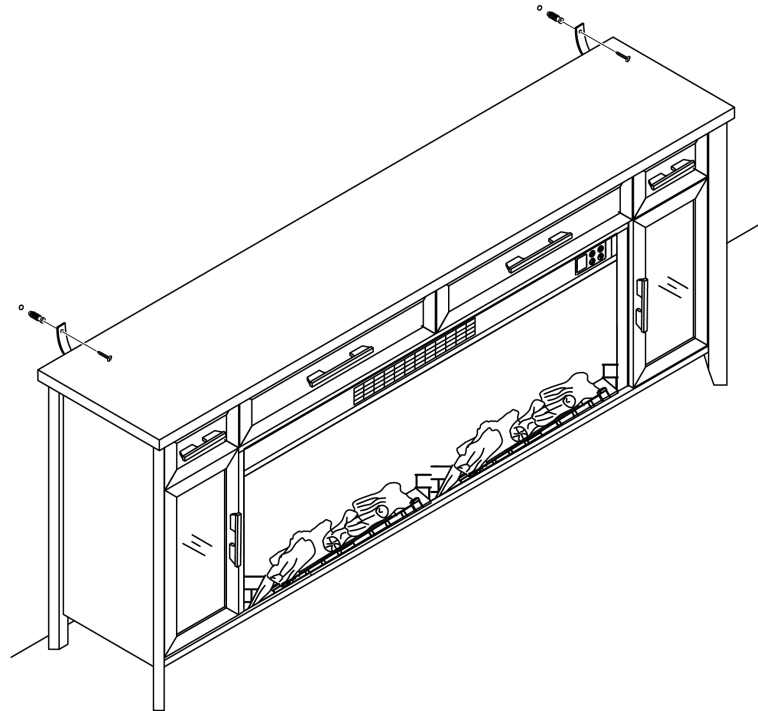
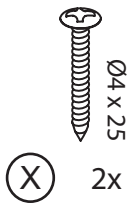
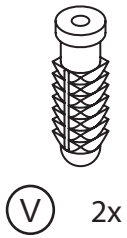
# 47

Attach anti-tipping straps to the back of the stand.



# 48

Affix the stand to a wall.

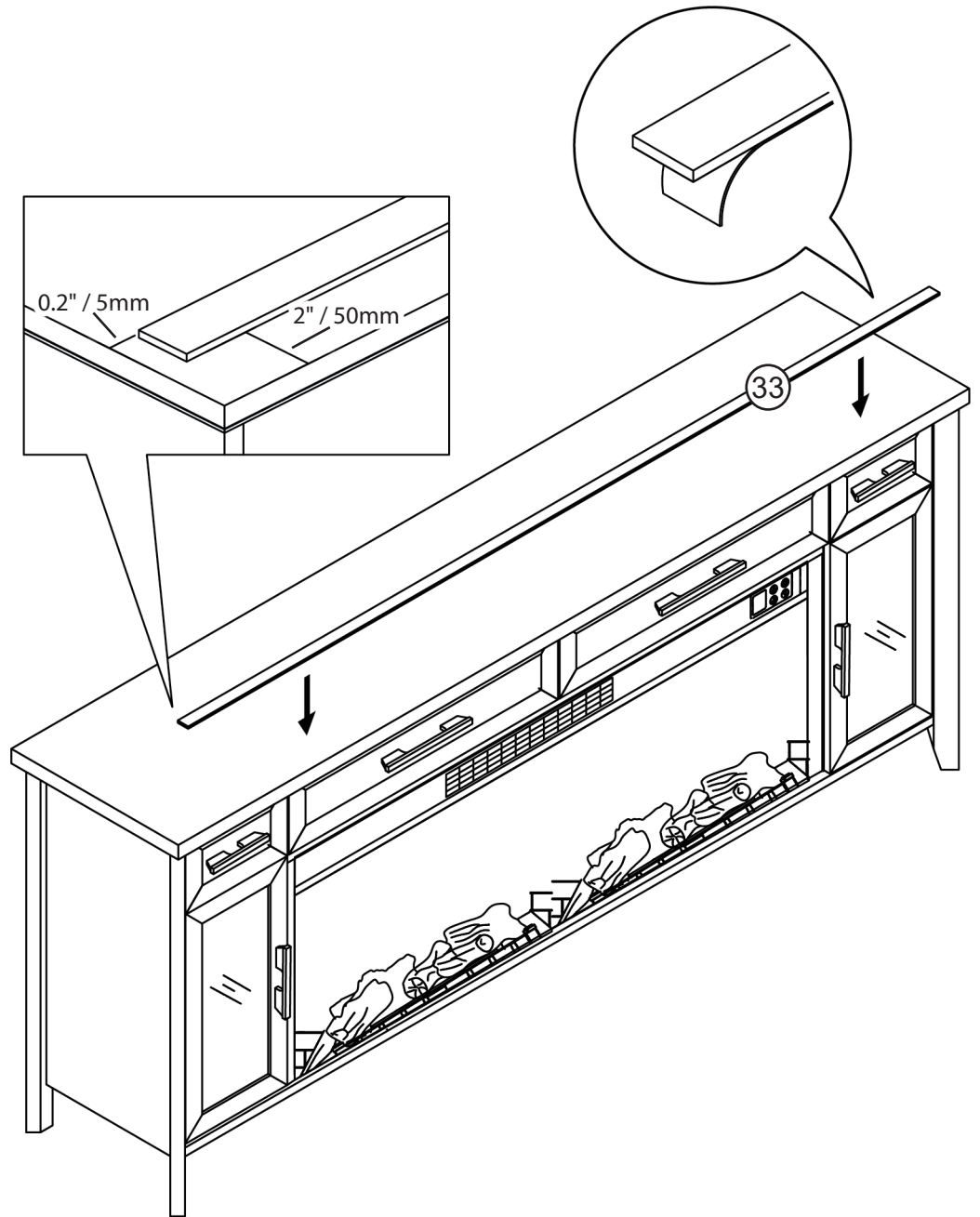


Furniture must permanently fixed to the wall stud with included anti-tipping device to prevent the furniture from tipping over.

- Mark the drill position on the wall with a pencil.
- Drill a small hole on the marked position.
- Insert a wall anchor into the drilled hole.
- Fixed the anti-tipping strap to the wall with provided screws.

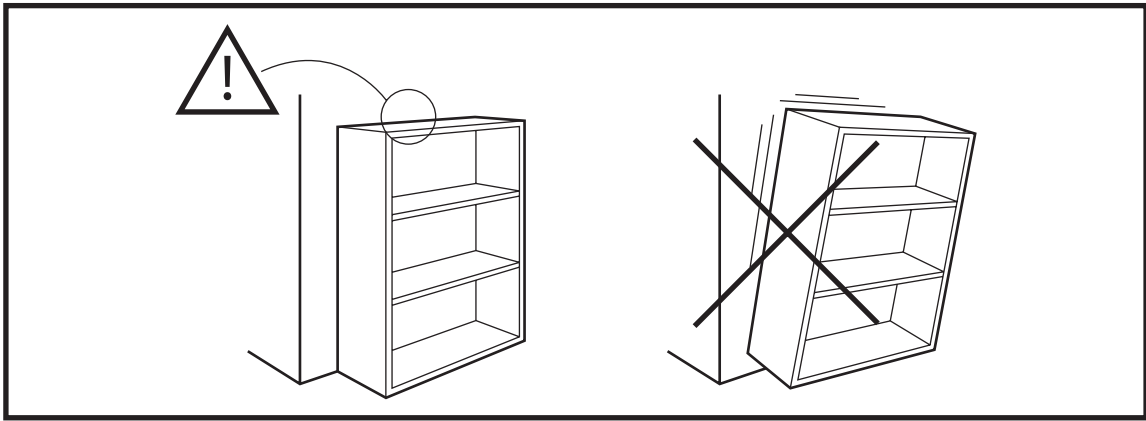
# 49

Attach top strip (33) on top of the stand.



NOTE: Put the TV behind the wood trim to prevent it from falling off.

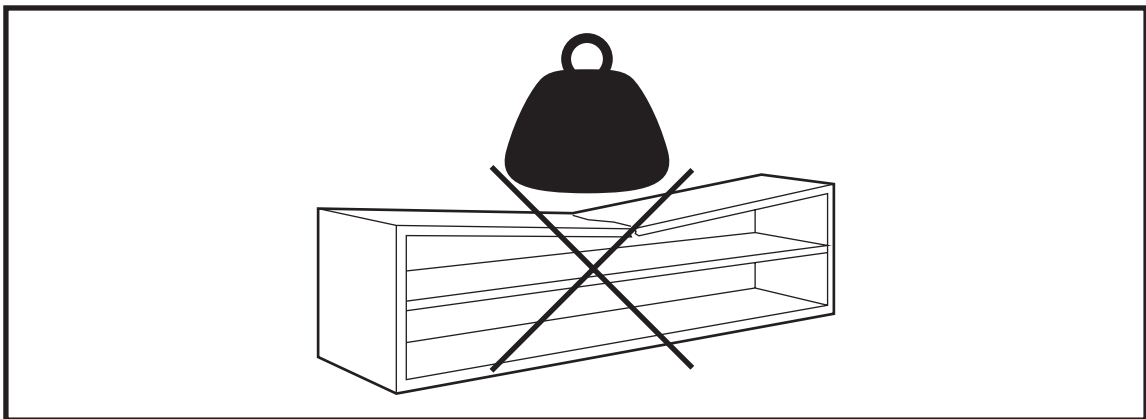
## YOU'RE FINISHED!



## Warning

Serious or fatal crushing injuries may occur if the furniture tip-over. Furniture must permanently affixed to the wall with included anti-tipping device in order to prevent the furniture from tipping over.

Different wall materials requires different types of wall anchors or screws. Use a suitable wall anchors or screws for your specific wall in order to secure the stability and load bearing capacity of the furniture. If you are uncertain about which type of device to use, please contact us or your local hardware store.



## Warning

Only place items on top of the product if they meet the recommended size and weight limits.

Climbing on, stepping on, or placing overweighted objects on the product may cause property damage and/or injuries.

Items placed onto this product must be resting on a support surface without hanging over the edges.

## WARNING

For use with televisions weighing 70lbs (31.8kg) or less. Use with heavier televisions may result in instability, causing tip over resulting in death or serious injury.

Death or serious injury may occur when children climb on audio and/or video equipment furniture. A remote control or toys placed on the furnishing may encourage a child to climb on the furnishing and as a result the furnishing may tip over on to the child.

Relocating audio and/or video equipment to furniture not specifically designed to support audio and/or video equipment may result in death or serious injury due to the furnishing collapsing or over turning onto a child.

## NOTICE

The recommended maximum width of the television is 80 inches. Do not exceed the maximum load capacity.

This product is designed for flat panel TVs only.

## FURNITURE CARE AND MAINTENANCE

### Medium - Density Fiberboard

Thank you for your purchase. We want your item to last as long as possible. To ensure the product gives you years of longevity, please follow the recommendations in this care and maintenance guide.



#### MAINTENANCE

- Tighten all bolts and screws again within the first 2 weeks of assembly.
- Check the tightness of all bolts every 2 months and tighten them if necessary.



#### CLEANING

- Clean the surface of the MDF (medium - density fiberboard) with a lightly dampened cloth.
- A small amount of mild soap can be used if necessary.
- Dry the surface immediately after cleaning.

- ⚠ DO NOT use bleach or alcohol to clean the surface.
- ⚠ DO NOT apply wood treatment on parts made with MDF.

MDF will swell and distort when exposed to water damage. Make sure to dry the furniture immediately after cleaning.

### ⚠ WARNING

The manufacturer and seller are not responsible for any and all liability relating to personal injury, property damage or losses, whether direct, indirect, or incidental, resulting from the incorrect attachment, improper use, inadequate maintenance, unapproved modification or neglect of this product.

# WARRANTY

Our products come with a 1-year warranty from the date of delivery. **Register your product on our website to enjoy our limited lifetime warranty!**

## AFTER-SALE SERVICE



Encounter any difficulties or missing parts?



Contact or email our website.



We will send you replacement.



Hassle free!  
No need to worry about repackaging and sending your item back.