
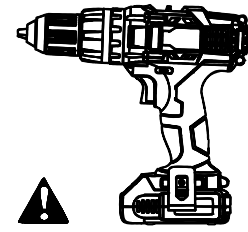
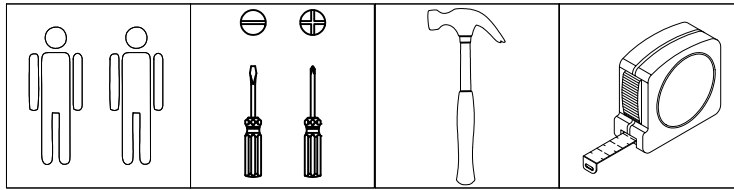



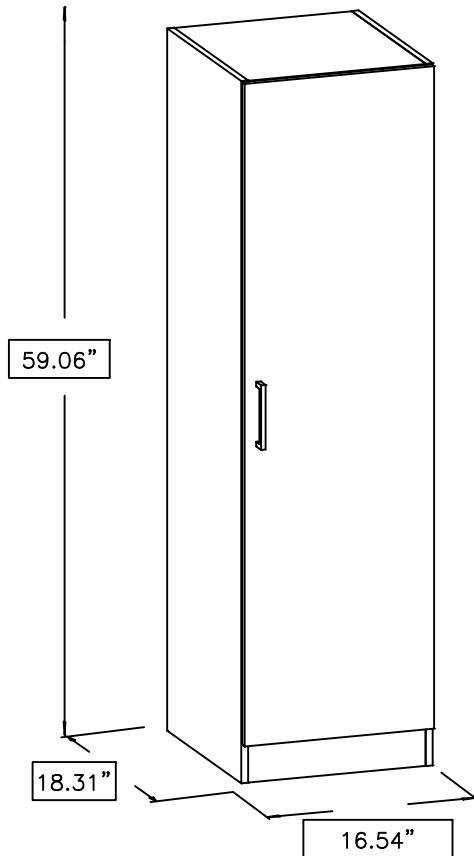
Assembly Instructions

ASSEMBLY INSTRUCTIONS

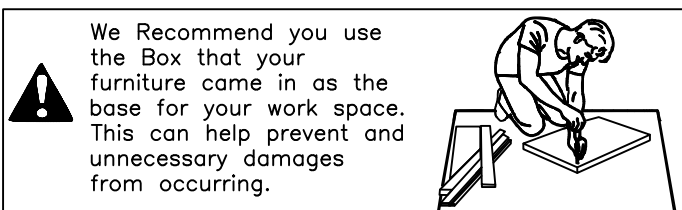
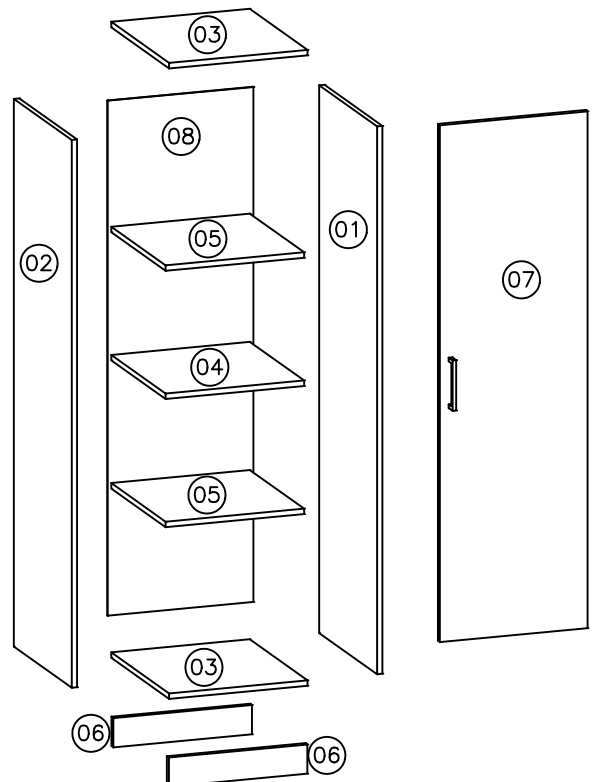
 Warning – CHOKING HAZARD – Small Parts Not for children under 3 years. Adult assembly required.



 Although not required, it is recommended that a drill be used to help ease the assembly process, as some holes are not pre-drilled.

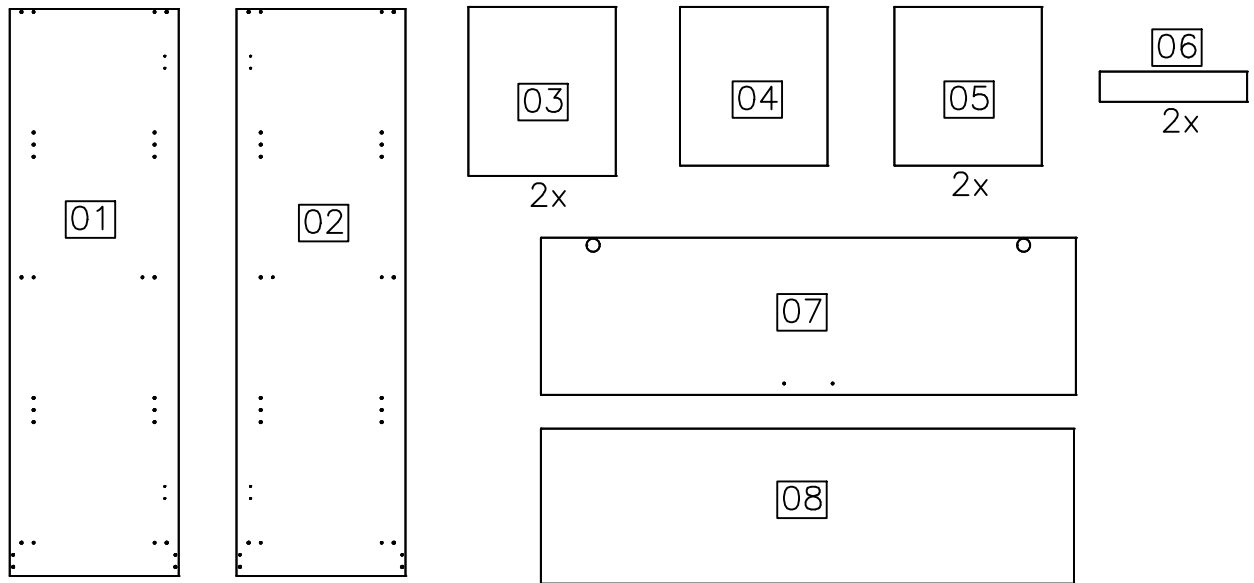


Part Identification

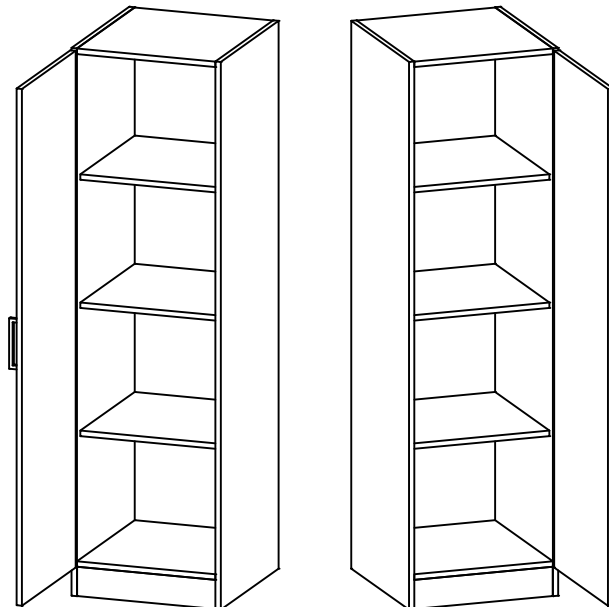



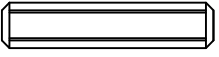
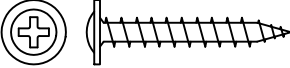

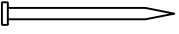
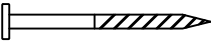
List of pieces

Code	Description	Descrição (Internal production data)	Amount	Length (in.)	Width (in.)	Thickness (in.)	Box
01	Right Side Panel	Lateral direita	1	59.06"	17.60"	.59"	A
02	Left Side Panel	Lateral esquerda	1	59.06"	17.60"	.59"	A
03	Bottom/Base/ Top	Base e chapéu	2	15.35"	17.60"	.59"	A
04	Fixed Shelf	Prateleira fixa	1	15.35"	16.54"	.59"	A
05	Loose shelf	Prateleira solta	2	15.35"	16.54"	.59"	A
06	Baseboards	Rodapé	2	15.35"	3.15"	.59"	A
07	Door	Portas	1	55.71"	16.38"	.59"	A
08	Back Panel	Costas	1	55.51"	16.14"	.12"	A



NOTE: This product can be assembled with the door to your left or right.

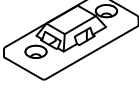

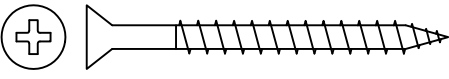
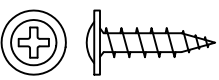
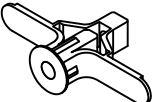


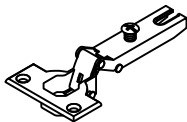
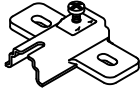
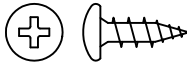
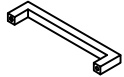
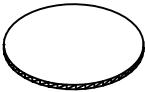
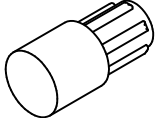
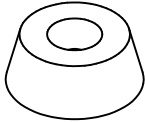
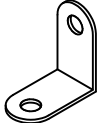

Hardware			
	Code	Description	Amou.
PE18	75515	 Screw 5x40	16
C1	1802	 Dowel 6x30mm	16
PF5	14773	 Screw 3,5x25	2
PC3	4214	 Screw 3,5x14	4
PR1	107	 Nail 10x10	36
PR2	108	 Nail 12x12	4

Anti-tipping installation

Warning: For Measures of Safety, it is recommended that this item be fixed to the wall, to avoid overturning, if this happens it can cause serious or fatal injuries.

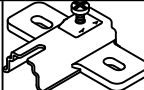
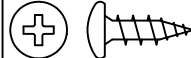
ATENCION: Por medidas de seguridad se recomienda fijar el mueble a la pared para evitar Volcamiento del mismo, si esto llegase a ocurrir puede causar lesiones graves o fatales.

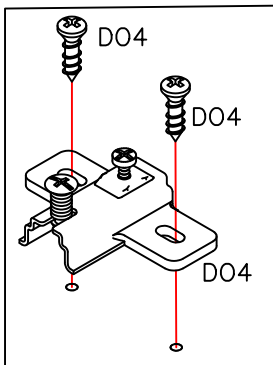
SF	55606	 Mounting bracket	2
ANY	55607	 Clamp	1
PC10	51980	 Screw 4,5x50	2
PF4	1178	 Screw 3,5x16 BC	2
BG	32069	 Adapter sleeve	2

D04	62432		Hinge 35mm	2
	62434		Hinge shim	2
	61971		Screw 4,0x14	8
PX	62753		Handle	1
TP2	<u>BR=44157</u>		Screw cap cover 13mm	16
S2	118		Shelf support 6x8mm	8
SD	1901		Shoe black	4
LM	85		Metal angle bracket "L"	2
CZ3	58788		Allen key	1

1

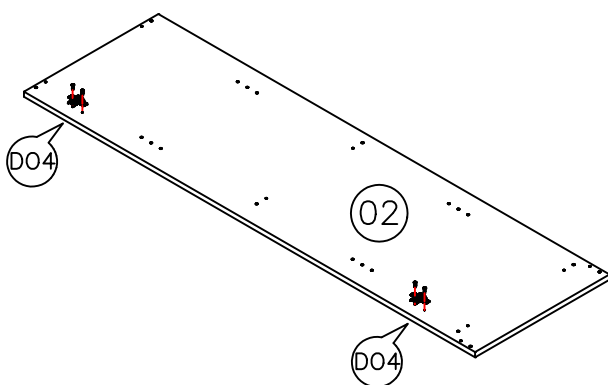
Preassembly of parts

D04		2
		4

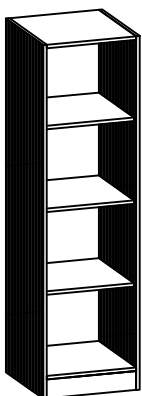
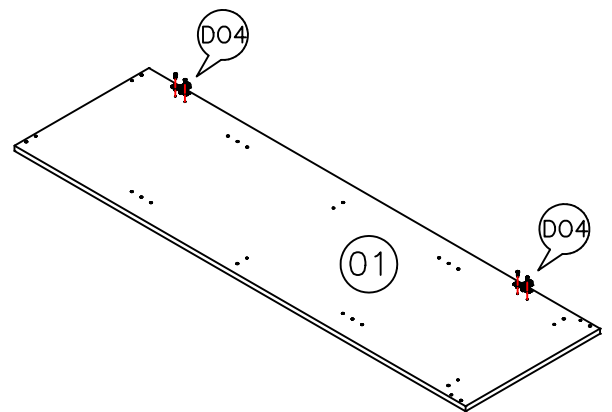


Please see images below to properly install the hinges for the doors to open from either the left or right.

Left Side Door Open

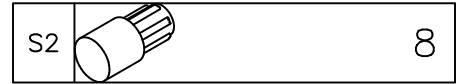


Right Side Door Open

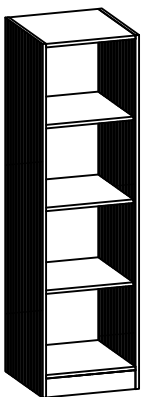
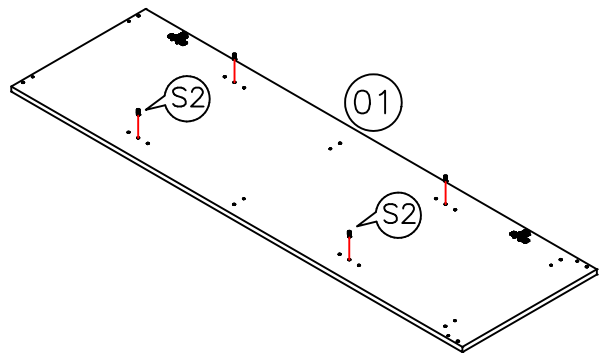
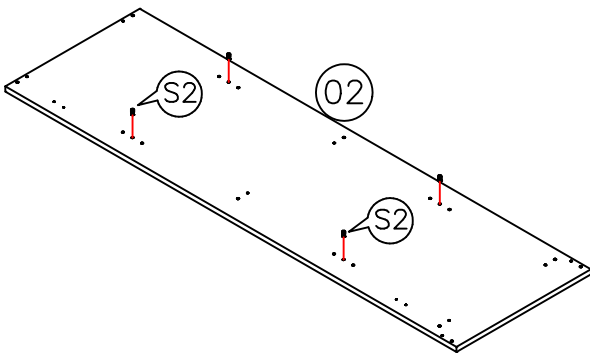
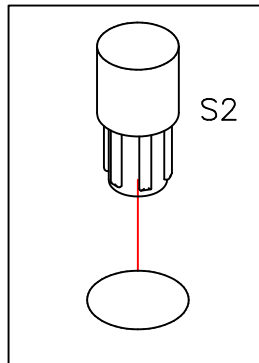


2

Preassembly of parts

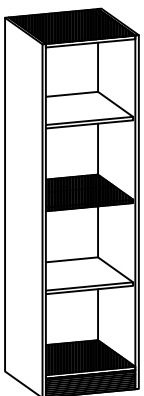
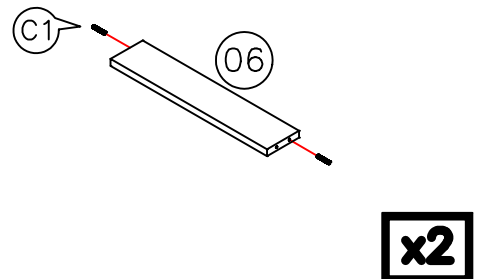
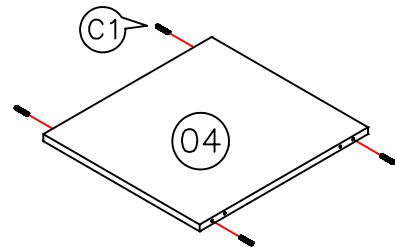
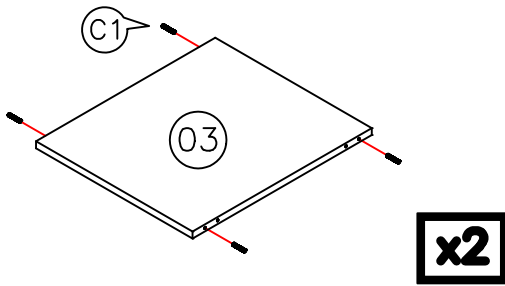
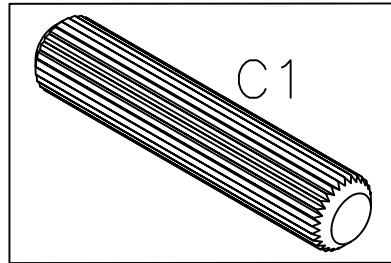
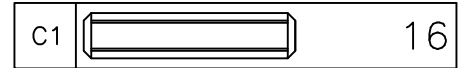


Shelf height adjustment pin

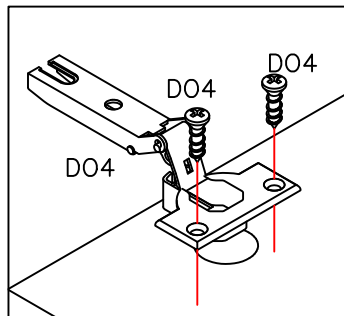


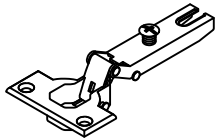
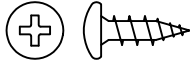
3

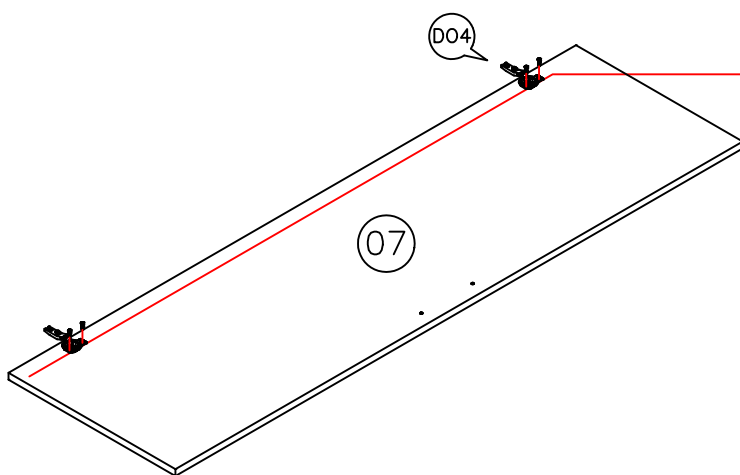
Preassembly of parts



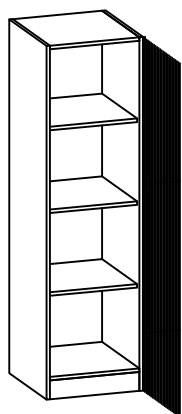
4



D04		2
D04		4

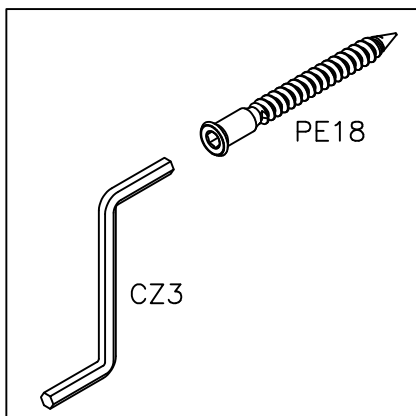


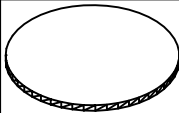
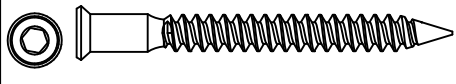
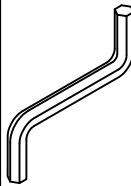

ATTENTION TO THE
ALIGNMENT OF THE HINGES

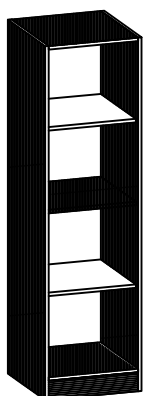
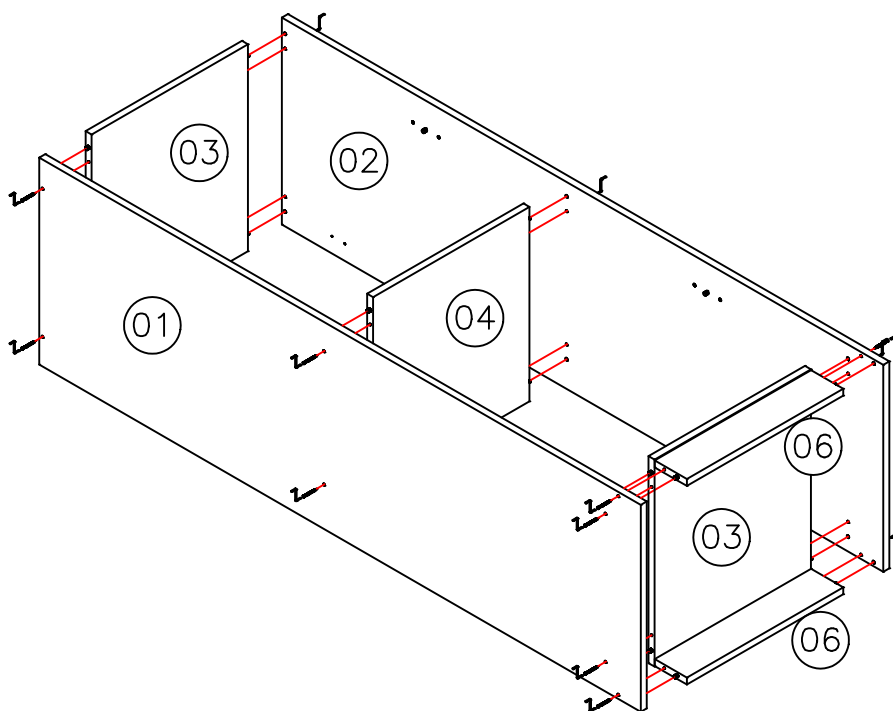


5

Product Assembly

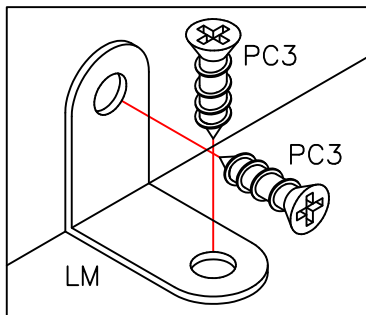
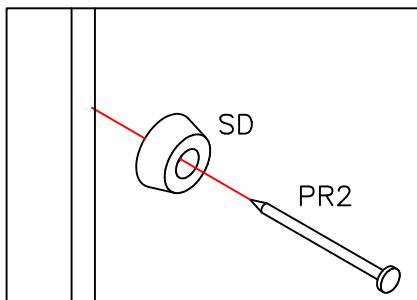


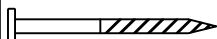
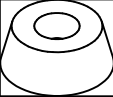


TP2		16
PE18		16
CZ3		1

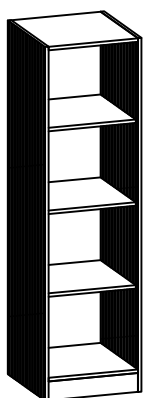
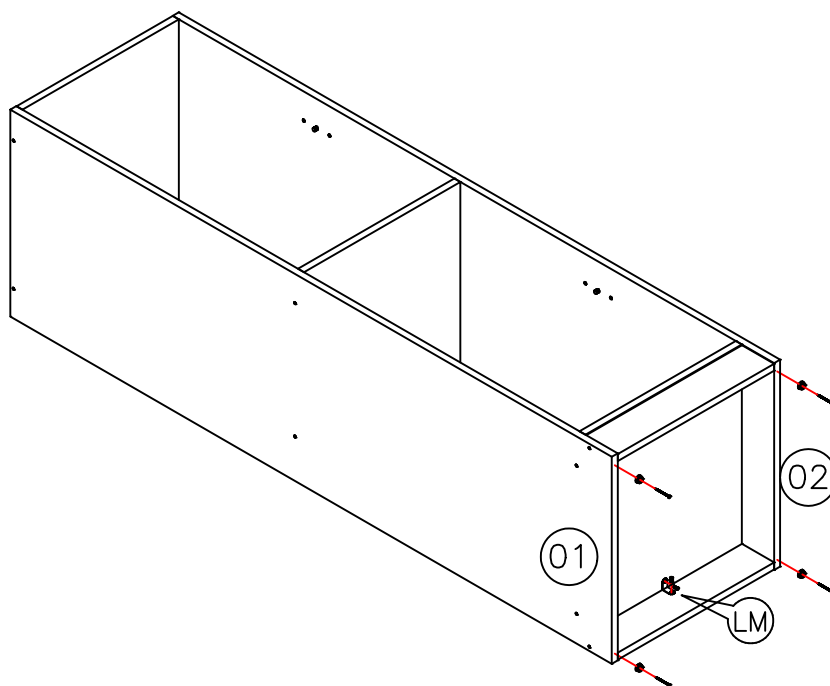


6

Product Assembly



PR2		4
SD		4
PC3		4
LM		2

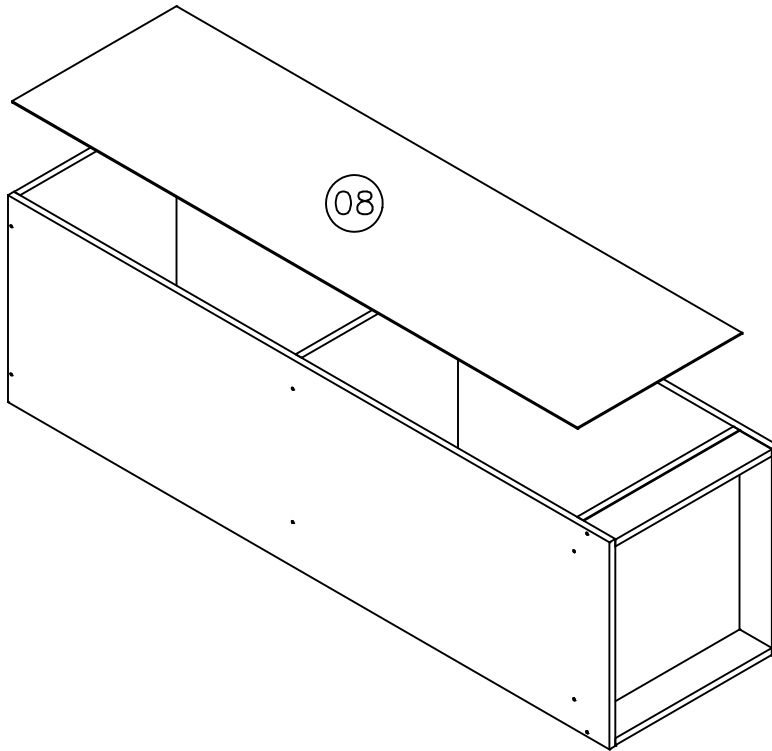


7

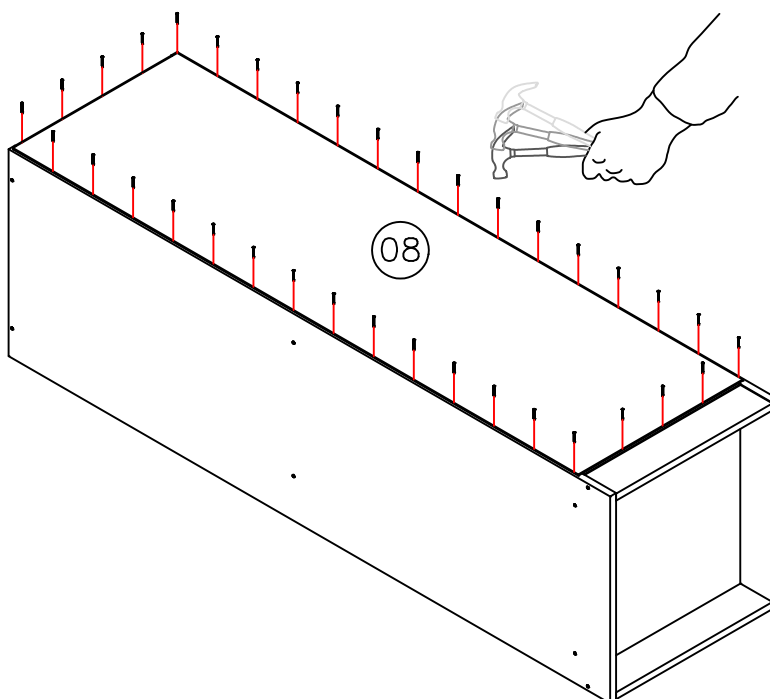
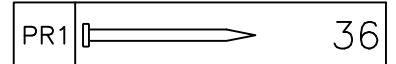
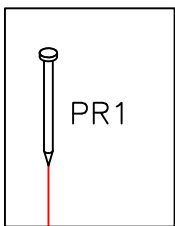


Attention: Ensure that when nailing the back parts in place, that it is being nailed as straight as possible to the top and sides.

Failure to do so can make the drawers appear crooked.

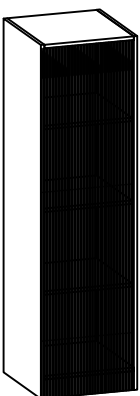


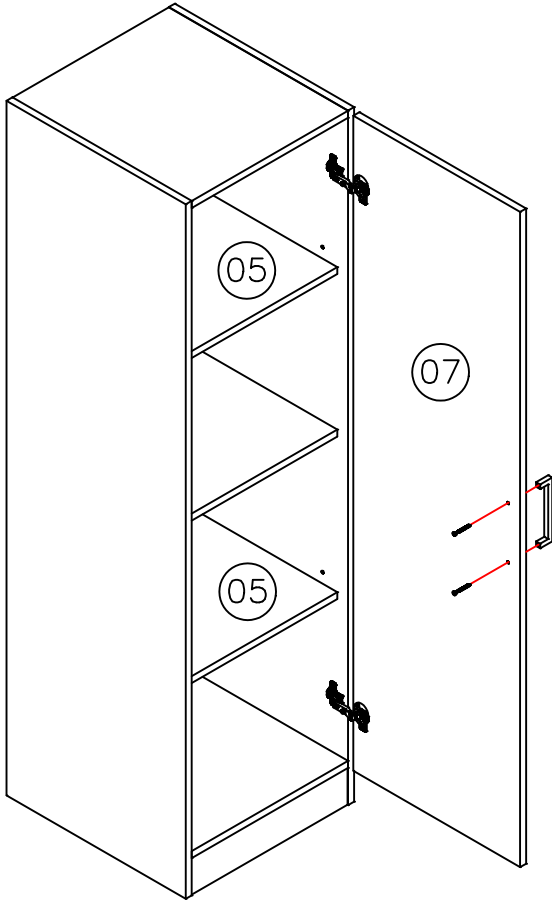
Carefully place the furniture on its front, on top the box in which it came to protect it when attaching the back panel.


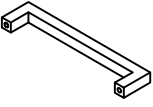


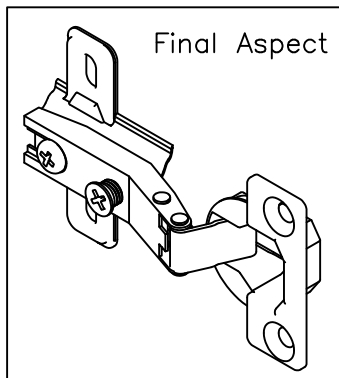
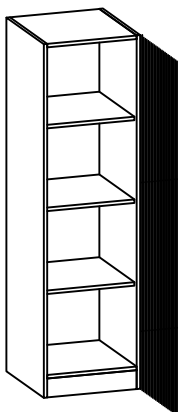
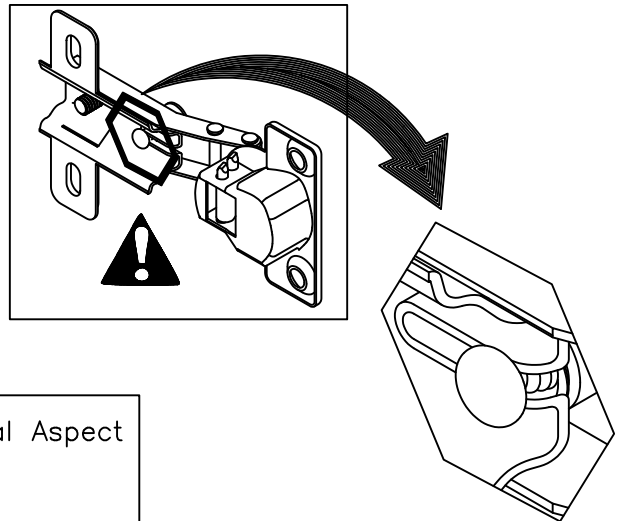
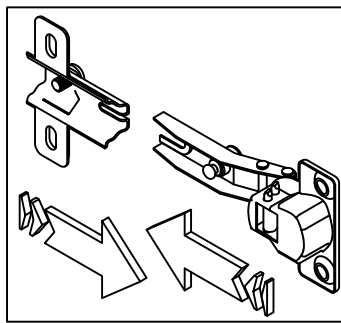
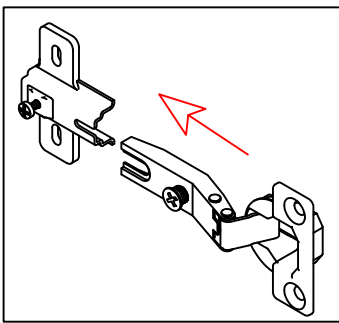
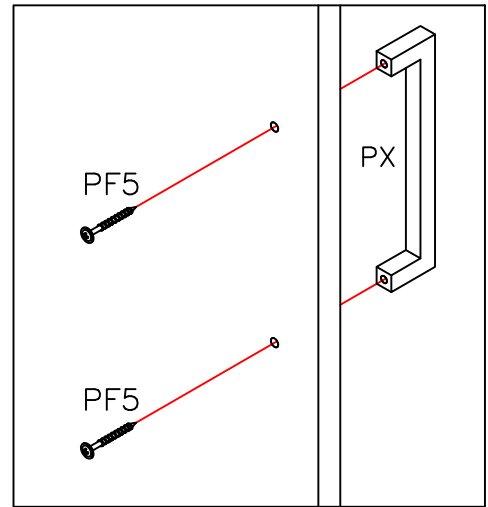
After checking that the back panel is squared to the side and Top, nail the back panel in place.

Note: It is essential to place the furniture strait/squared to avoid problems with the functioning and alignment of the Drawers and Doors.





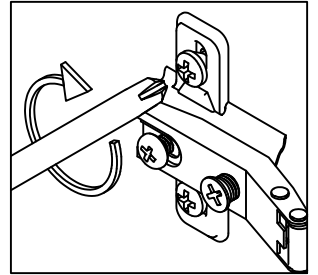
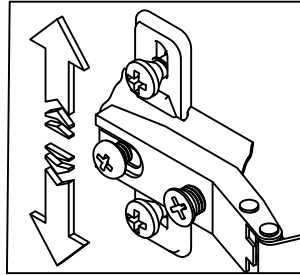
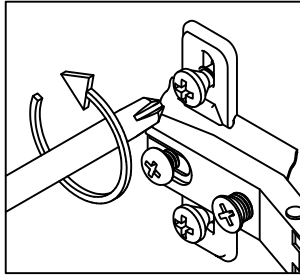
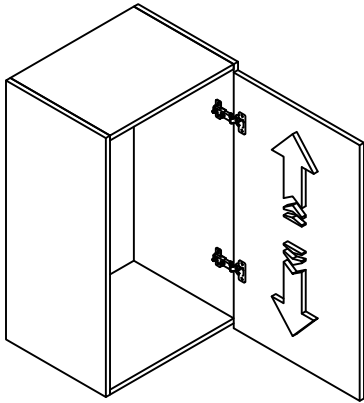
PF5		2
PX		1



DOORS ADJUSTMENT

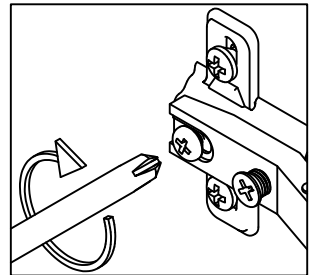
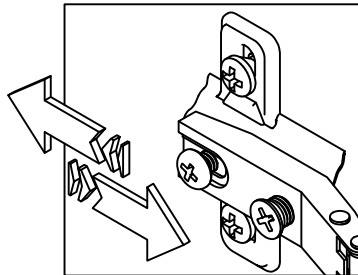
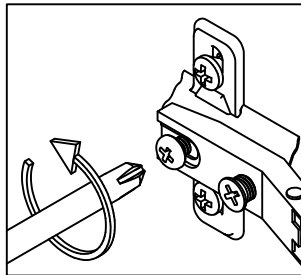
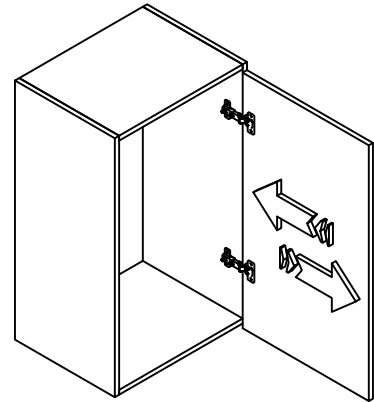
VERTICAL ADJUSTMENT

ILLUSTRATIVE



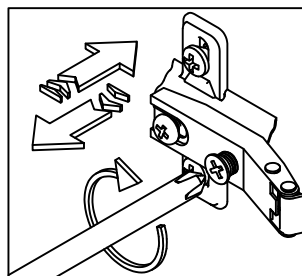
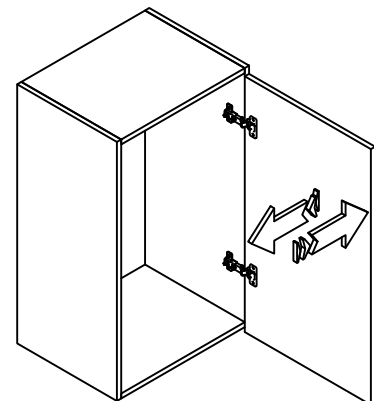
DEPTH ADJUSTMENT

ILLUSTRATIVE



HORIZONTAL ADJUSTMENT

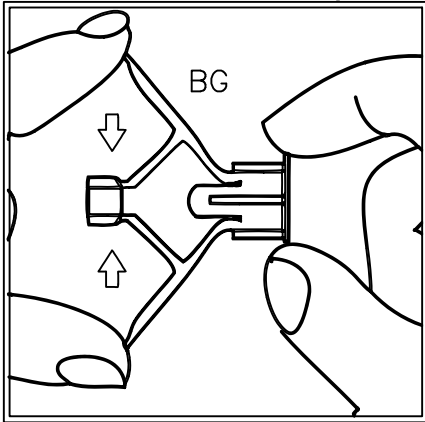
ILLUSTRATIVE



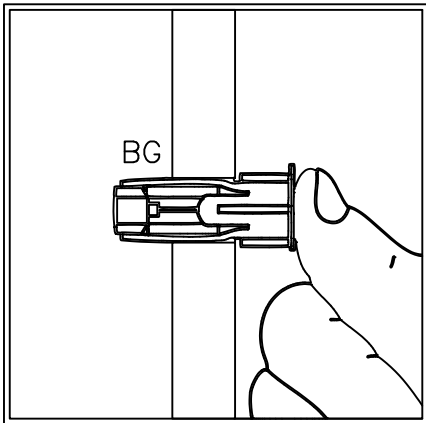
10

NOTE: Do not turn the DRYWALL ANCHOR into a wall stud. If you prefer to fasten the SAFETY ANTI-TIPPING to a wall stud, go to your local hardware store for proper hardware.

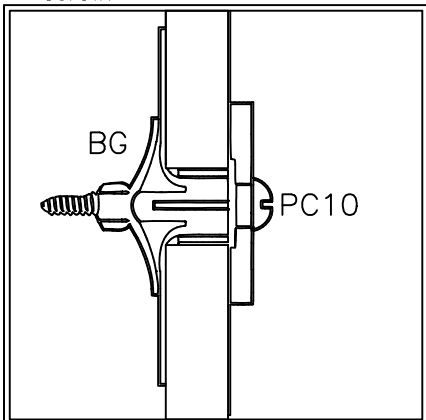
Compress the wings of anchor before inserting.



Insert the chuck into the hole of the base material.



Position the object over the bushing and secure it with a screw.



▲ WARNING –Anti-Tip Advisory

Potential of serious fatal crushing injuries may occur from furniture tip-over. To help prevent tip-over:

ALWAYS INSTALL the tip-over restrain that came with your furniture. This tip-over restrains only reduces but does NOT completely eliminate the risk of tip-over

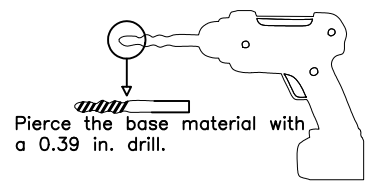
- ALWAYS Place the heaviest items in the lowest/bottom drawer.
- NEVER place heavy objects on top of this product.
- NEVER allow children to scale/climb/hang on the drawers, doors, or shelves.
- NEVER open more than one drawer at a time.

B ADVERTENCIA – Aviso antivuelco

Pueden producirse lesiones graves por aplastamiento mortales debido al vuelco de los muebles. Para ayudar a prevenir vuelcos:

- SIEMPRE INSTALE el sistema de retención que viene con sus muebles. Este sistema antivuelco solo reduce pero NO elimina por completo el riesgo de vuelco.
- SIEMPRE coloque los artículos más pesados en el cajón más bajo /inferior.
- NUNCA coloque objetos pesados encima de este producto.
- NUNCA permita que los niños escalen, trepen o se cuelguen de los cajones, puertas o estantes.
- NUNCA abra más de un cajón a la vez

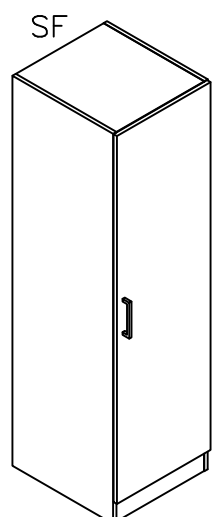
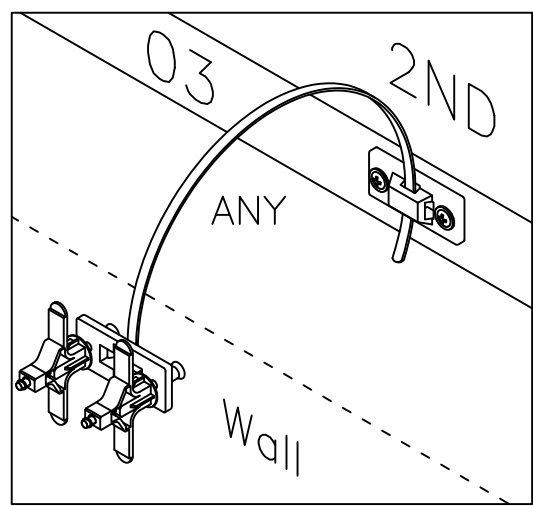
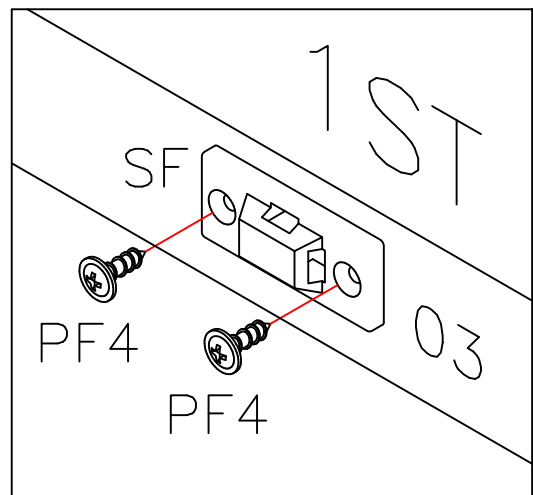
Anti-tipping installation			
SF		Mounting bracket	2
ANY		Clamp	1
PC10		Screw 4,5x50	2
PF4		Screw 3,5x16 BC	2
BG		Anchor	2

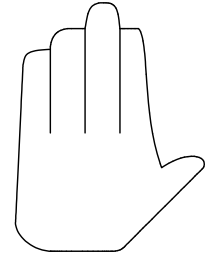
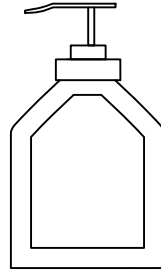
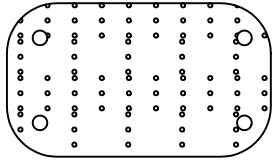


Pierce the base material with a 0.39 in. drill.

Important

- The minimum length of the screw must be the bushing length + object thickness that will be fixed.
- To guarantee the wing expansion function of the bushing, after the screw head is at the object to be fixed, one must continue to rotate the screw until maximum torque is reached.





To Remove the printed number, apply a small amount of Glass Cleaner or Hand sanitizer and wipe with a paper towel.

