




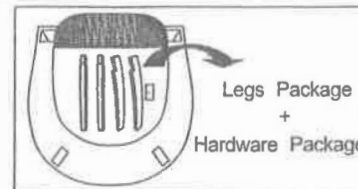
ASSEMBLY INSTRUCTIONS - BM171943
KENSINGTON PARSON CHAIR
 DEMENSION:W21.45" X D 25.6" X H 36.6"

PART LIST

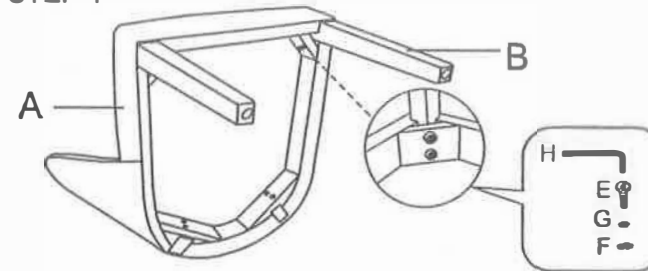
<p>(A) Back assembly (1pc)</p> 	<p>(B) Front legs-(2pcs) put inside the seat cushion</p> 
	<p>(C) Back legs-(2pcs) put inside the seat cushion</p> 

DO NOT FULLY TIGHTEN SCREWS AND BOLTS UNTIL THE ENTIRE ITEM IS COMPLETELY ASSEMBLED

NOTICE

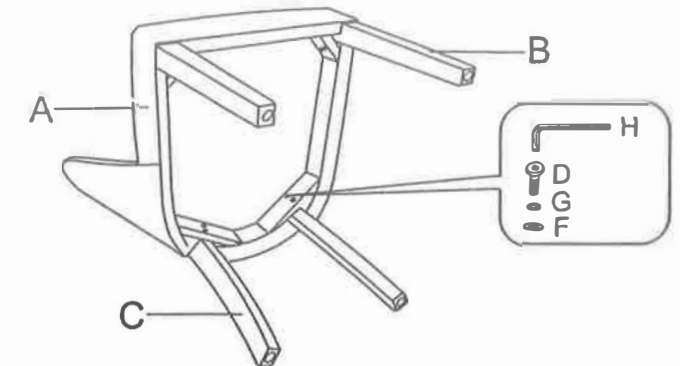


STEP 1








Step1:Put the screws in the holes,tighten the screws,but not too tighten,90% is ok.

STEP 2

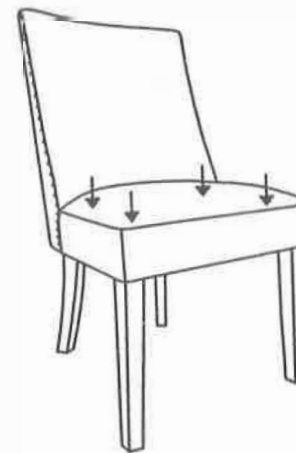


Step 2:Put the screws in the holes,tighten the screws,but not too tighten,80% is ok.

HARDWARE LIST

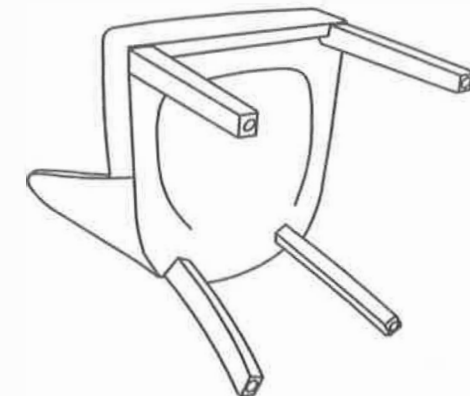
<p>Screw D</p>  <p>(1) M8X55MM (4PCS)</p>	<p>Screw E</p>  <p>(2) M8X70MM (4PCS)</p>	<p>Flat washer F</p>  <p>(3) 8pcs</p>
<p>Spring washer G</p>  <p>(4) 8pcs</p>	<p>Allen key H</p>  <p>M8 (5) 1PC</p>	

STEP 3



Step 3: Then adjust the balance of this chair,tighten all the screws to100%.

STEP 4



Step4 :Finally,zip up the non-woven cover underneath the seat.