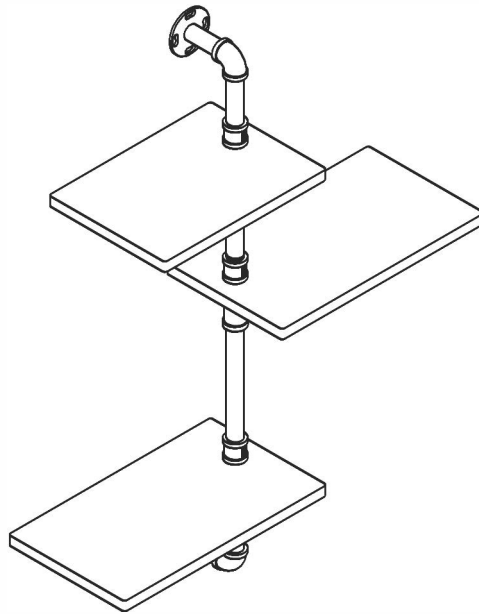


Assembly Instructions



ASSEMBLY RATING

The Assembly Rating is a 5-point system that shows the degree of effort needed in assembling a specific product (with 1 being easy and 5 being difficult). For some products, two persons are recommended.

EASY  DIFFICULT

Tools Required For Assembly:

Phillips Screwdriver



(Not Included)



2 PERSONS RECOMMENDED

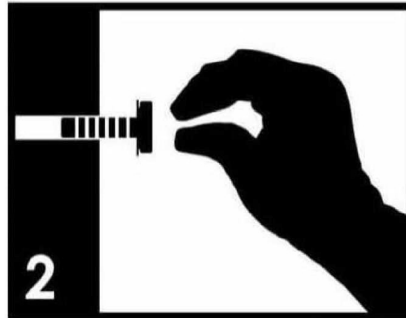
ASSEMBLY & CARE ADVICE

FOR YOUR FURNITURE TO LAST, CORRECT ASSEMBLY AND PROPER MAINTENANCE ARE NECESSARY. PLEASE FOLLOW THE INFORMATION PROVIDED BELOW TO FULLY ENJOY YOUR FURNITURE.

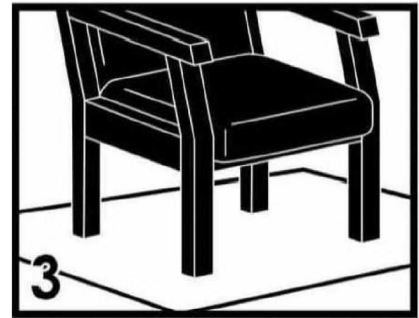
BASIC ASSEMBLY TECHNIQUES



When lock or spring washer is used in an assembly, please make sure the lock or spring washer is placed between the larger flat washer and the head of the screw or bolt.



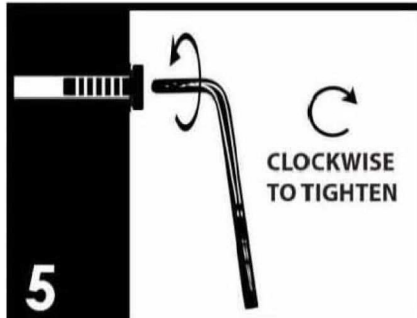
Position each part correctly and insert screws or bolts into their respective holes by hand tighten or using the proper hand tool. Only tighten when step is completed or when instructed to do so.



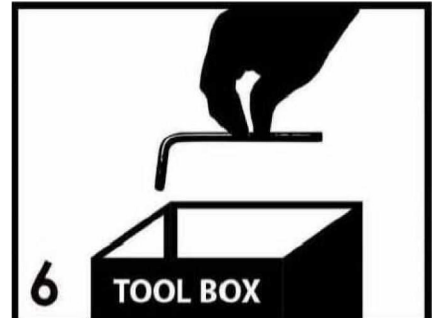
Use cardboard or carpet area when assembling furniture to prevent scratches. Make sure the furniture rests on a flat and level surface with each leg evenly touching the floor. No dragging of products/parts.



Some furniture comes with height adjustment knobs underneath each leg. To lower or to raise each leg, you need to turn clockwise or counterclockwise, respectively.



Make sure all parts are properly aligned, then use the appropriate hand tool to completely tighten the bolts or screws. Do not use power tools and do not overtighten.

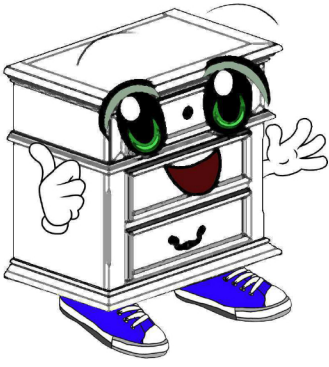


Save the instructions and store the Allen wrench or any supplied tool for later maintenance. After two weeks, check and tighten any loose hardware and repeat again every six months thereafter.

IT IS THE USER'S RESPONSIBILITY TO MAINTAIN THE FURNITURE. THE HARDWARE MAY LOOSEN OVER TIME AND MAY CAUSE THE FURNITURE TO BE WOBBLY AND UNABLE TO SUPPORT ITS INTENDED WEIGHT CAPACITY. THIS MAY LEAD TO COLLAPSE AND MAY CAUSE SERIOUS INJURY.



FAILURE TO FOLLOW THE GUIDELINES ABOVE MAY RESULT IN INJURY AND/OR PROPERTY DAMAGE.



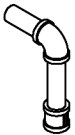
Before you begin, please read Page 2 of "Assembly and Care Advice".

And remember, do not tighten until each step is completed or instructed.

Parts List



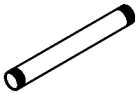
#1 x 2pcs
Fix Plate



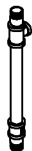
#2 x 1pc
Upper Support Frame



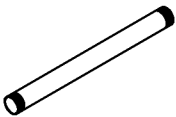
#3 x 1pc
Upper Connect Tube



#4 x 1pc
Top Support Tube



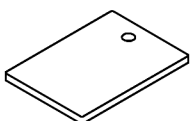
#5 x 1pc
Lower Connect Tube



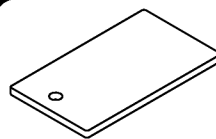
#6 x 2pcs
Lower Support Tube



#7 x 1pc
Lower Support Frame



#8 x 1pc
Top Shelf



#9 x 2pcs
Lower Shelf



#10 x 3pcs
Support plate

Hardware List



#A x 4pcs
Bolt Ø5x25



#B x 4pcs
Screw M5x25



#C x 12pcs
Screw M5x15



#D x 16pcs
Washer

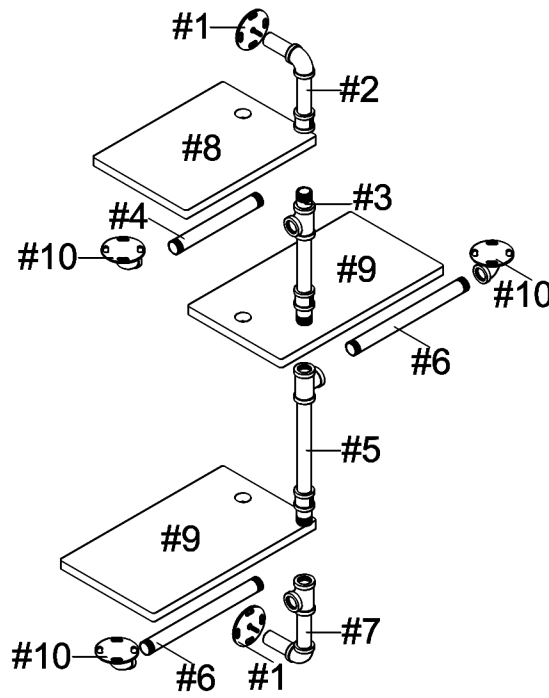


#E x 2pcs
Padding washer

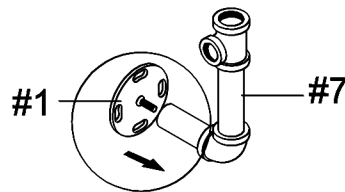
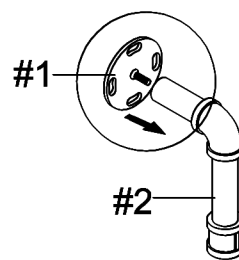
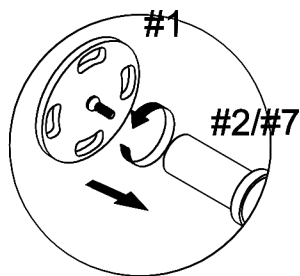


Exploded View

Attention: Parts #1, #2, #3, #5
#7, #10 can not be tighten
enough to make their location
suit for the assembling of the
other parts and wall

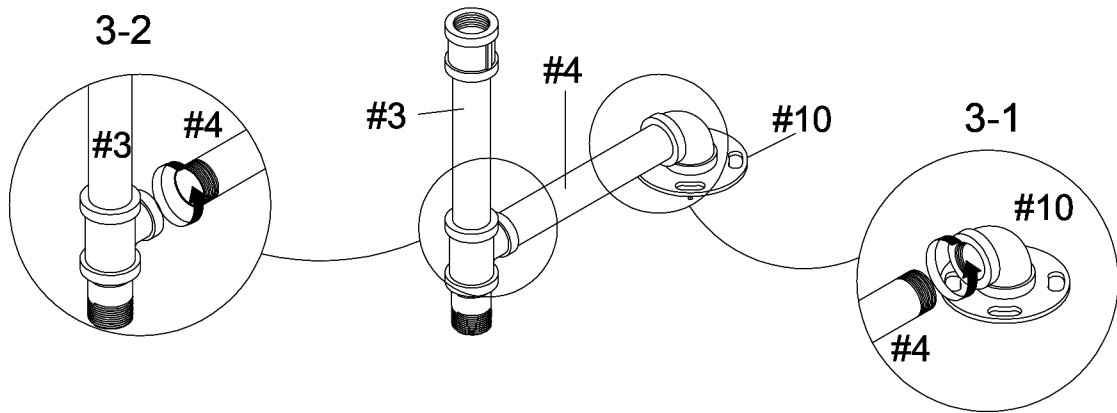


Attach fix plates (#1) to the upper support frame
(#2) and lower support frame (#7).



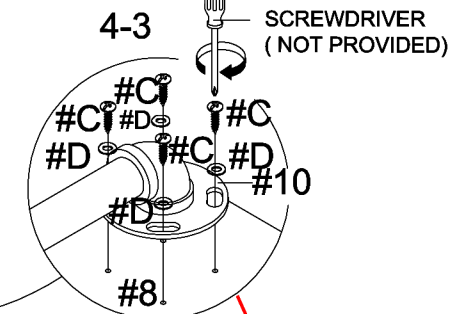


Attach upper connect tube (#3) and support plate (#10) onto top support tube (#4).

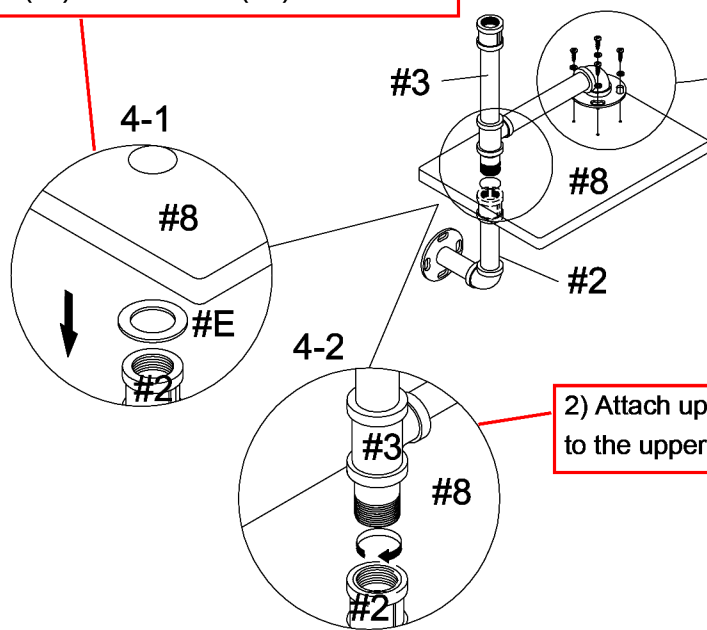


#C x 4pcs
#D x 4pcs
#E x 1pc

1) Align top shelf (#8) to the upper support frame (#2) with washers (#E).



3) Align support plate (#10) to lower shelf (#8), then secure by using screws (#C) with washers (#D).

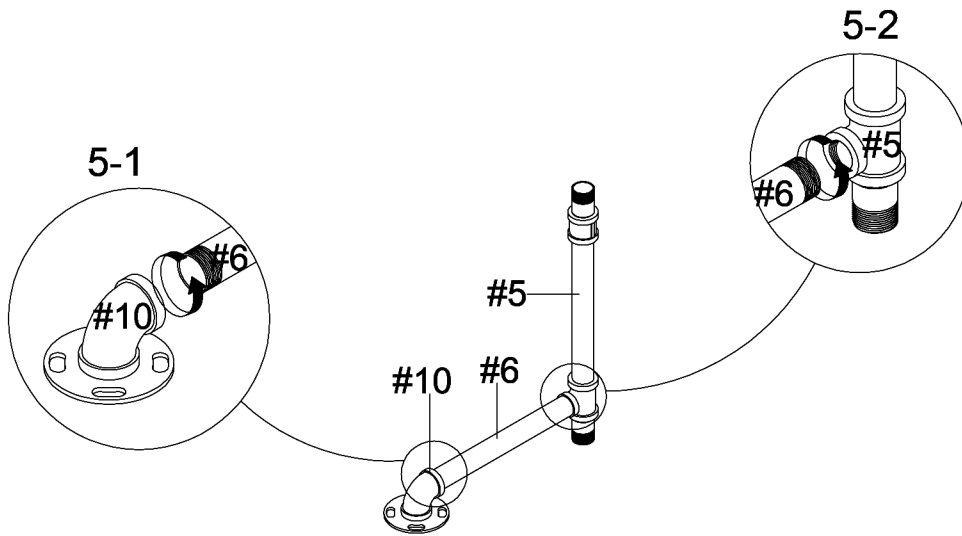


2) Attach upper connect tube (#3) to the upper support frame (#2).

Attention: Parts #1, #2, #3, #5, #7, #10 can not be tighten enough to make their location suit for the assembling of the other parts and wall

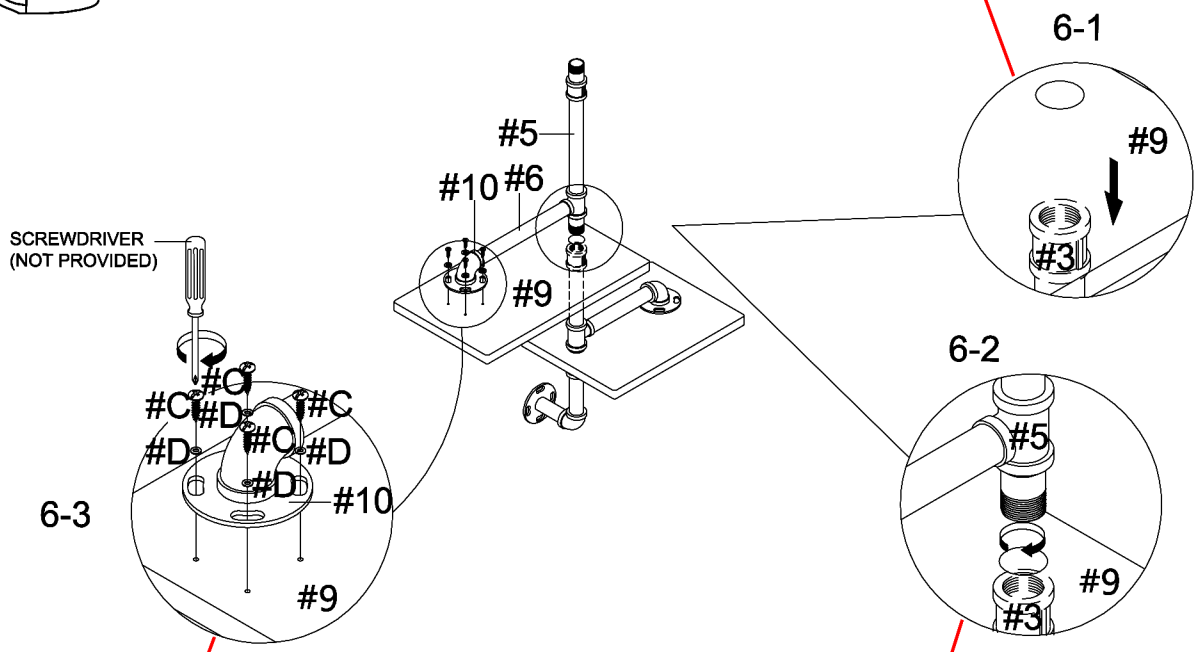


Attach lower connect tube (#5) and support plate (#10) to lower support tube (#6).



#C x 4pcs
#D x 4pcs

1) Align upper connect tube (#3) to the lower shelf (#9).

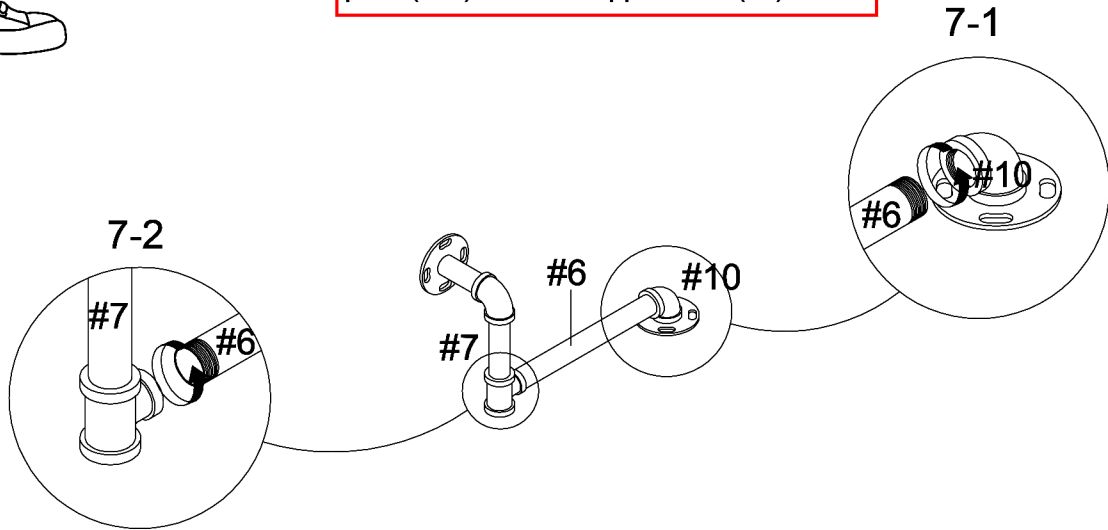


3) Align support plate (#10) to lower shelf (#9), then secure by using screws (#C) with washers (#D).

2) Secure lower connect tube (#5) to the upper connect tube (#3).

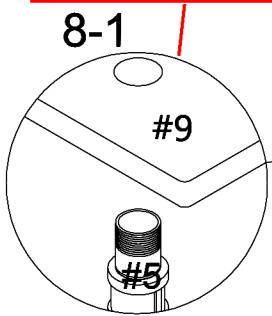


Attach lower support frame (#7) and support plate (#10) to lower support tube (#6).

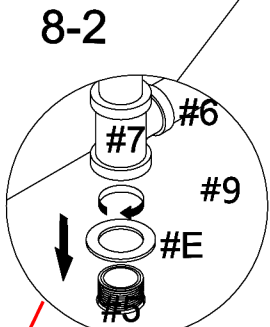


#C x 4pcs
#D x 4pcs
#E x 1pc

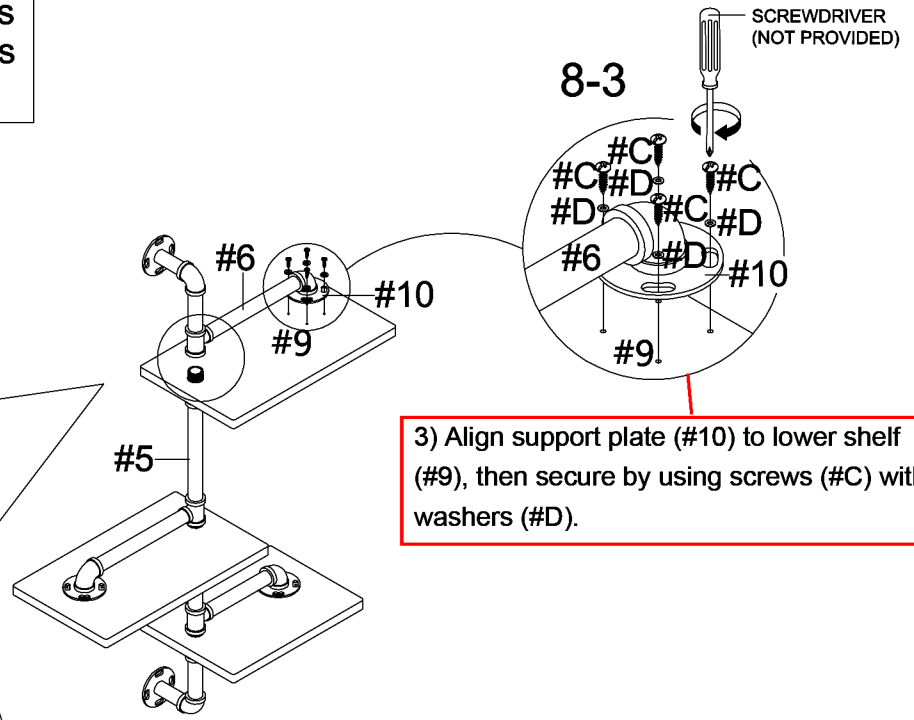
1) Align lower connect tube (#5) to lower shelf (#9).



2) Attach lower support frame (#7) to lower connect tube (#5) with washers (#E).



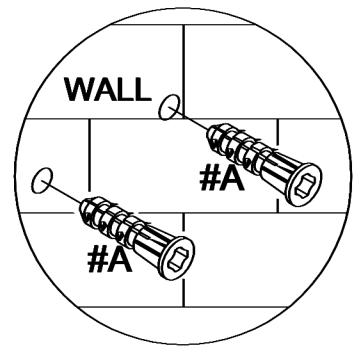
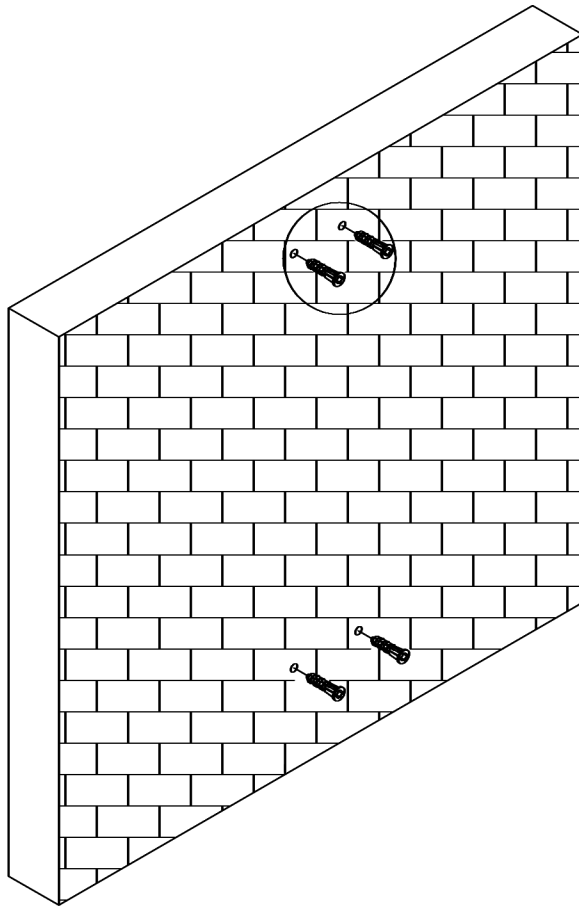
3) Align support plate (#10) to lower shelf (#9), then secure by using screws (#C) with washers (#D).



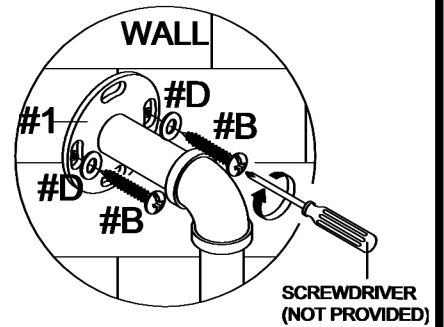
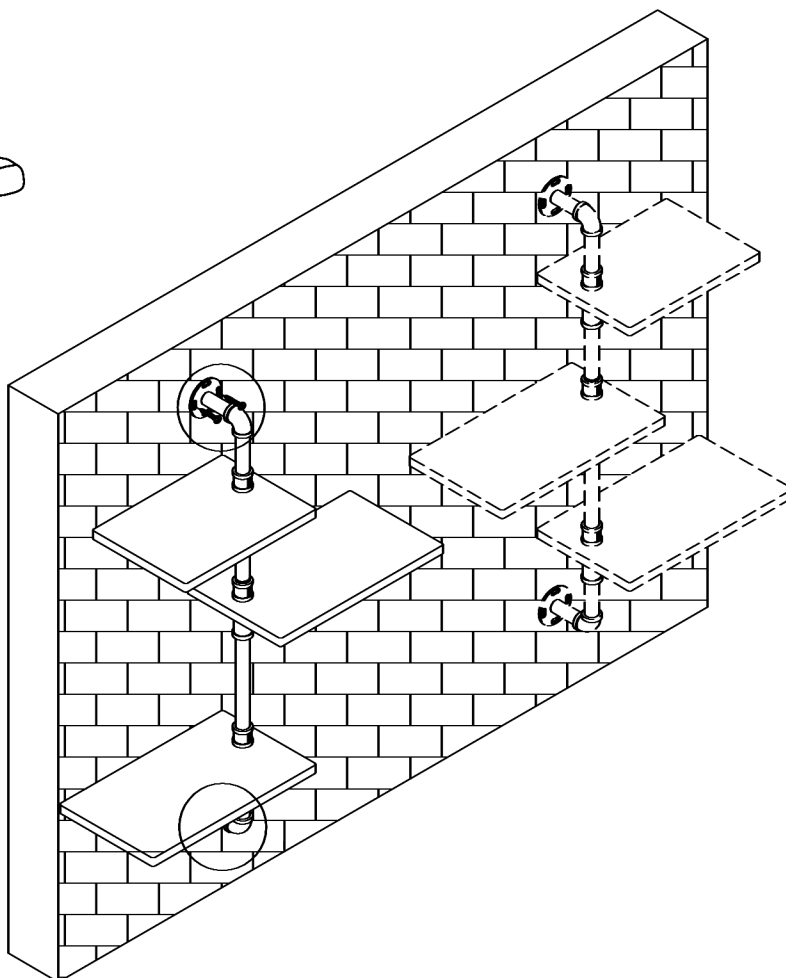
Attention: Parts #1, #2, #3, #5, #7, #10 can not be tighten enough to make their location suit for the assembling of the other parts and wall



#A x 4pcs



#B x 4pcs
#D x 4pcs



SCREWDRIVER
(NOT PROVIDED)