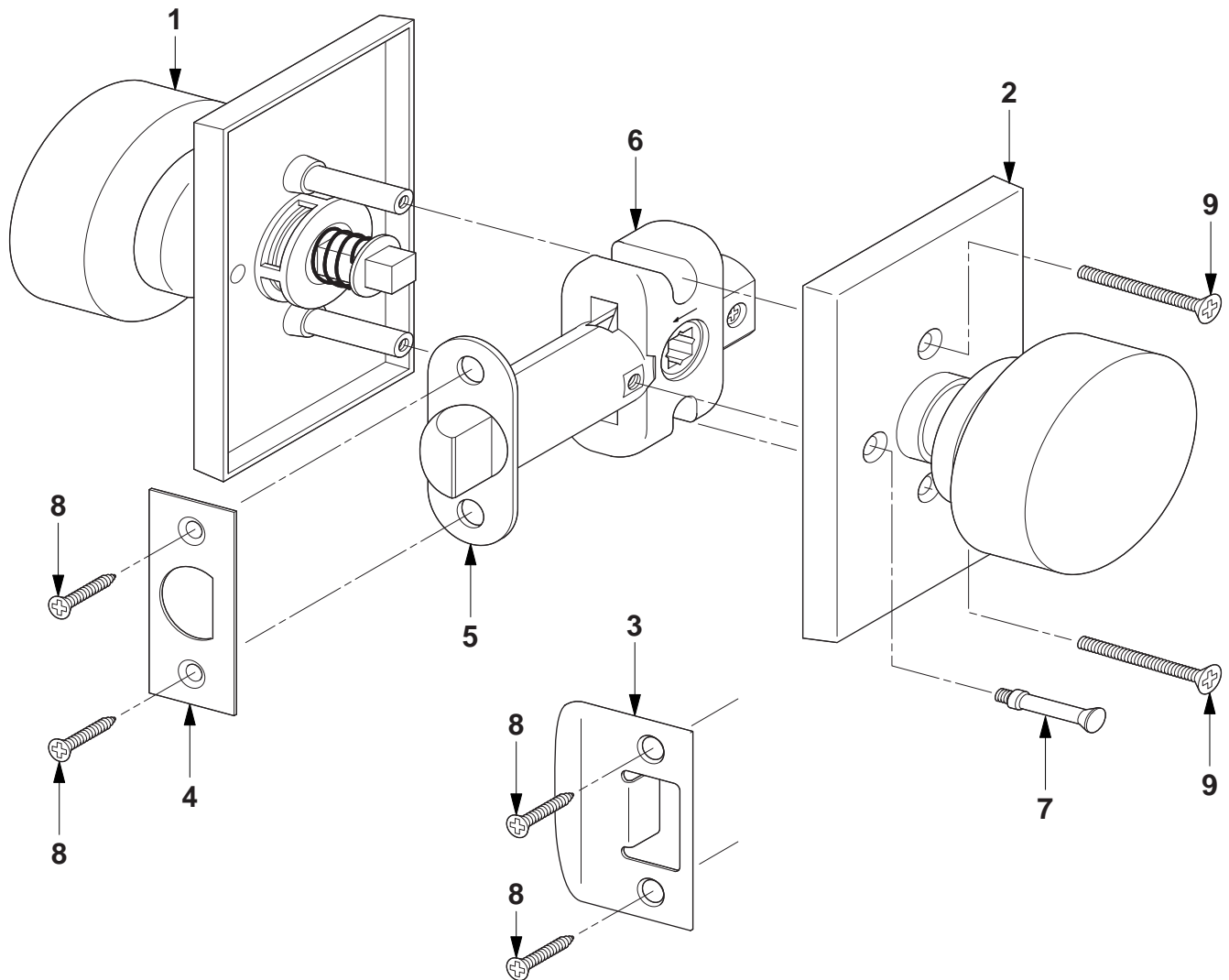


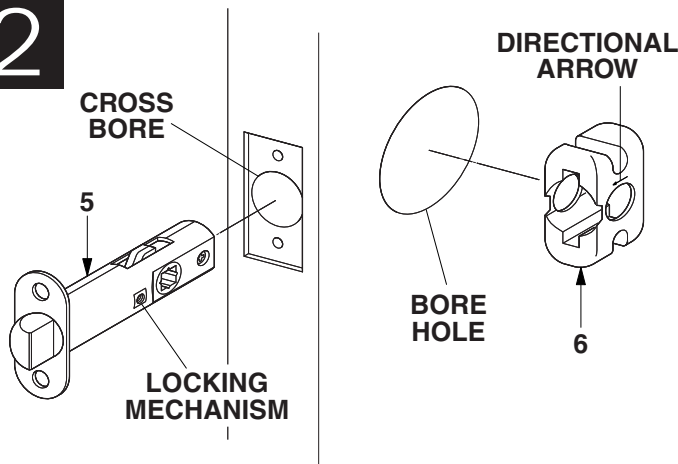
## PARTS LIST

- |   |   |
|---|---|
| 1 Rosette 1 (Qty 1)                     | 8 Screws, 3/4" (Qty 4)                              |
| 2 Rosette 2 (Qty 1)                     | 9 Screws, 1-1/4", for 1-3/8" door thickness (Qty 2) |
| 3 Strike Plate (Qty 1)                  | Screws, 1-1/2", for 1-3/4" door thickness (Qty 2)   |
| 4 Latch Face Plate (Qty 1)              | 10 Hex Key, Small (not shown)                       |
| 5 Door Latch for 2-3/8" backset (Qty 1) | 11 Hex Key, Large (not shown)                       |
| 6 Alignment Sleeve (Qty 1)              |   |
| 7 Privacy Pin (Qty 1)                   |   |



# 1

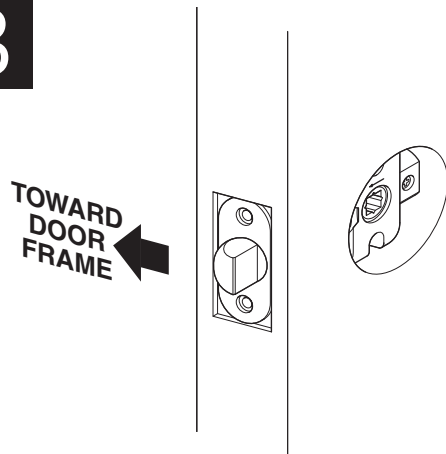
Lay parts out on a protective surface to prevent damage. Inventory parts against the Parts List. Make sure all parts are present before proceeding.

**2**

Remove alignment sleeve (6) from rear of door latch (5).

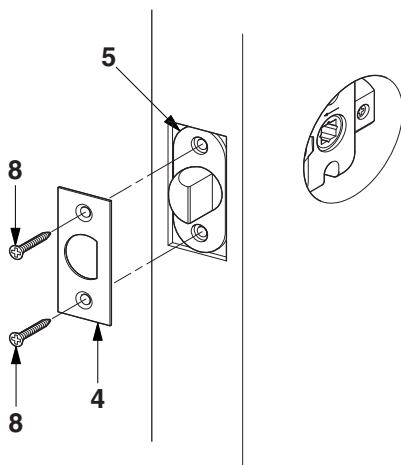
Hold alignment sleeve (6) in bore hole. **MAKE SURE** directional arrow on sleeve points towards outside edge of door.

**BE SURE** locking mechanism on door latch (5) faces locking side of door when installed. Slide door latch (5) through cross bore and into alignment sleeve (6). **BE SURE** alignment sleeve is fully seated against door latch.

**3**

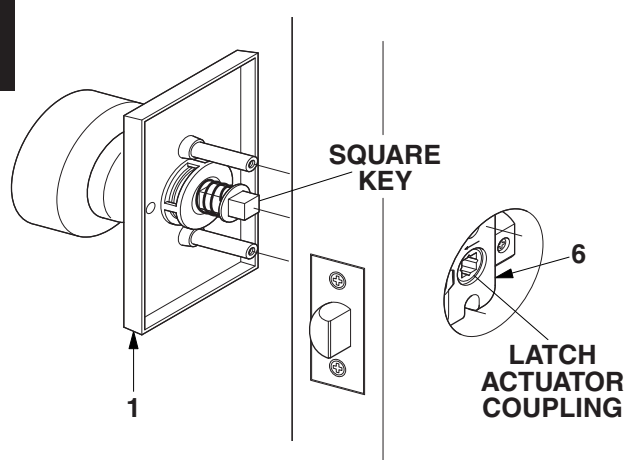
**MAKE SURE** rounded edge of door latch (5) faces toward door frame.

If necessary, rotate end of door latch (5) to obtain proper orientation.

**4**

Install latch face plate (4) over end of door latch (5), and secure face plate to door with two 3/4" screws (8).

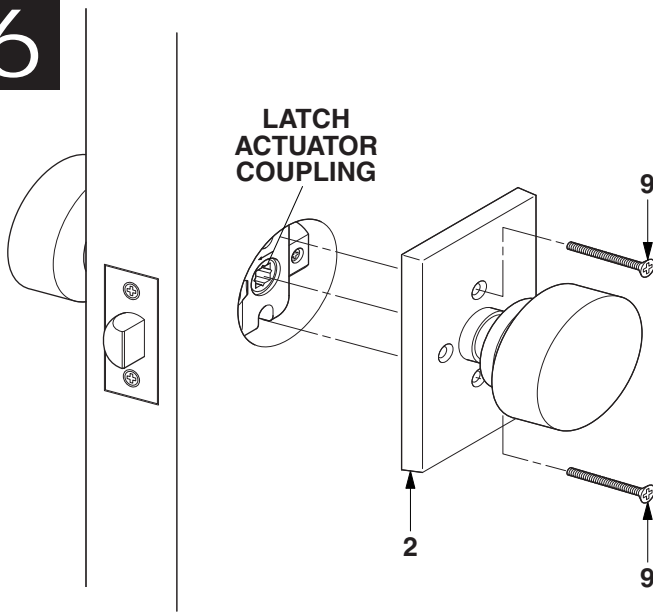
Tighten screws (8) using Phillips-head end of large hex key (11).

**5**

Align posts on back of rosette (1) with slots in alignment sleeve (6), then slide rosette (1) into position against door. **BE SURE** square key on knob shaft engages latch actuator coupling.

Have a helper hold rosette (1) in place against door until installation of rosette (2) is complete.

6



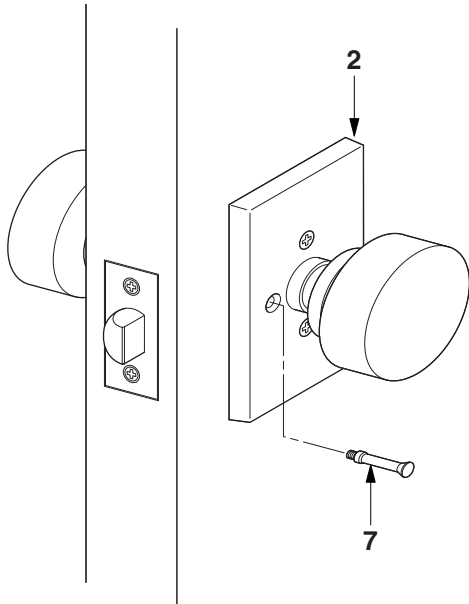
**NOTE:** When installing rosette (2), BE SURE to use the correct length screws for the width of your door.

Install rosette (2) in position against door. BE SURE square key on knob shaft engages latch actuator coupling.

Secure rosette (2) to rosette (1) with two screws (9).

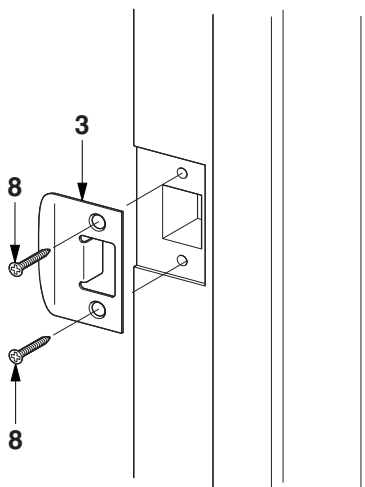
Tighten screws (9) using Phillips-head end of large hex key (11).

7



Install privacy pin (7) through rosette (2) and hand tighten.

8



Install strike plate (3) on door frame, and secure strike plate to door frame with two screws (8).

Tighten screws (8) using Phillips-head end of large hex key (11).

California Proposition 65 Warning

This product may contain chemicals known to the state of California to cause cancer and birth defects or other reproductive harm.

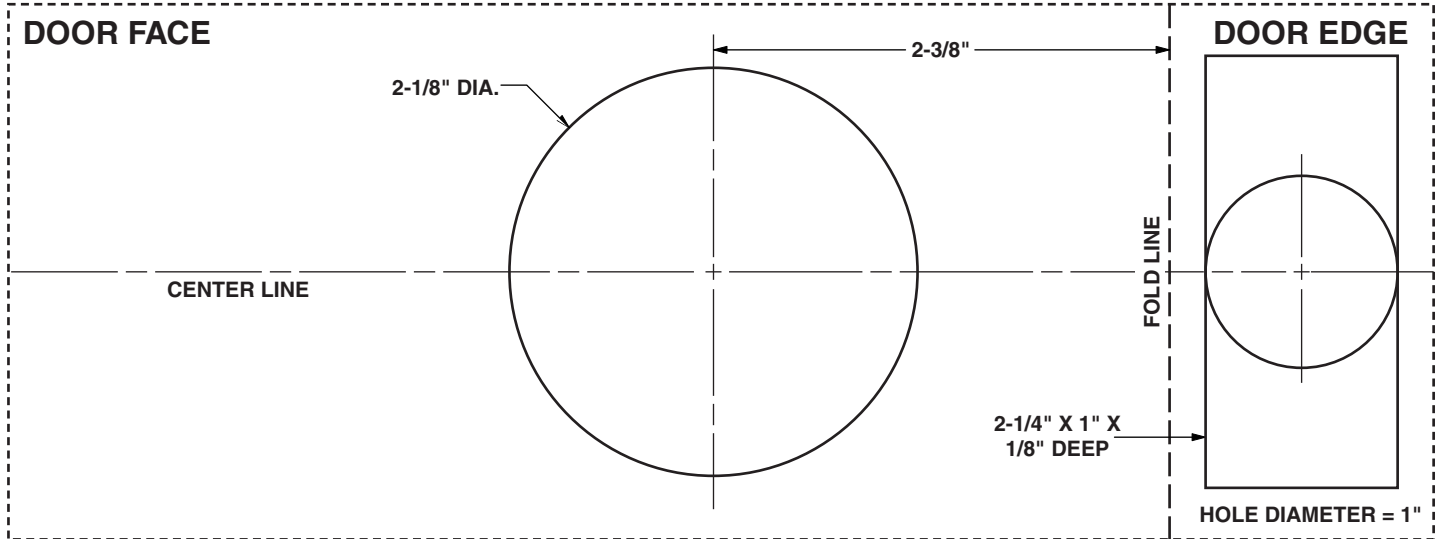
For more information: [www.P65Warnings.ca.gov](http://www.P65Warnings.ca.gov)

# Drilling Template

1. Print this page at actual size.
2. Make sure the ruler below measures exactly 5" before using template.
3. Cut out template and tape to door at proper height.



## FOR 1-3/8" DOOR THICKNESS



## FOR 1-3/4" DOOR THICKNESS

