

VIVOHOME

THANK
YOU!

NOTE:

To continuously improve its products, VIVOHOME reserves the right to modify this information without prior notification.

For any questions regarding assembly, please watch the video on the product page or contact our customer service. Our customer service will gladly assist you with any additional questions, comments, or concerns.

Thank you for using VIVOHOME products in your home!

Thank You for Purchasing from

VIVOHOME

Made in China

VIVOHOME

HOW-TO

USER MANUAL



Submersible Water Pump

Assembly is EASY!

**WE WANT
YOU TO
ENJOY LIFE
AT HOME**

GO TO THE PRODUCT LISTING PAGE FOR
AN INSTRUCTIONAL VIDEO!

SECTION J

Warranty



The VIVOHOME warranty program is our commitment to you. That the product sold by VIVOHOME will be free from defects in manufacturing for a period of one year from the date of purchase. If a product is found to have a defect in material or workmanship within one year from the date of purchase, we will take the appropriate actions as defined in this warranty to resolve any issues.

This warranty program applies to any order, purchase, receipt, or use of any products sold by VIVOHOME or our authorized dealerships. The program covers products that have become defective, malfunctioned, or have otherwise become unusable. The warranty program goes into effect on the date of purchase and expires one year from the date of purchase. If your product becomes defective during that period, VIVOHOME will provide technical support, replacement, refund, or other solutions. This warranty program does not cover defects arising from abuse or misuse. This includes physical damage, submersion of the product in water, incorrect installation such as use with the wrong voltage, or misuse for any reason other than the product's intended purpose. VIVOHOME is not responsible for consequential loss or incidental damage of any nature caused by the product.

We will not warrant damage from normal wear such as scratches and dings.



If you run into any issues with this product, contact us and we'll happily provide you with a satisfactory solution!

2. If your pump hums and doesn't push water

- A. The pump or piping may be clogged, check the area around the pump to make sure there is no debris blocking water from entering into the pump.
- B. It may be necessary to clean the pump pre-filter and impeller. Refer to page 11-17 for instructions on how to clean your pump.
- C. Make sure the pump is receiving the correct voltage.
- D. If none of the above solves your issue, the impeller needs to be replaced.

3. If your pump has completely shut off

- A. The ground-fault circuit interrupter (GFCI) may have tripped.
- B. Check the water temperature to make sure it's within the operating temperatures.
- C. It may be necessary to clean the pump pre-filter and impeller. See page 11-17 for instructions on how to clean your pump.
- D. If none of the above solves your issue, the impeller needs to be replaced.

4. If your pump turns on and off

- A. The pump or piping may be clogged, check the area around the pump to make sure there is no debris blocking water from entering into the pump.
- B. It may be necessary to clean the pump pre-filter and impeller. See page 11-17 for instructions on how to clean your pump.
- C. Check the temperature of the water to make sure it's within the operating temperatures.
- D. If none of the above solves your issue, the impeller needs to be replaced.

CONTENTS

Introduction	1
Safety Information	2
Components & Pump Parts	4
Pump Information	5
Installation	5
Operation & Maintenance	11
Replacing the Impeller	13
Winter Pump Care	18
Troubleshooting	18
Warranty	20



This pond pump is ideal for pond owners looking for energy-efficient performance, flow, and ease of maintenance. This pump comes with a powerful, extremely rugged asynchronous motor. This versatile pump can be used vertically, horizontally, and in or out of the water. The pump features easy maintenance with a removable rotor assembly and water-resistant ceramic bearings for continuous, trouble-free use. This pond pump is oil-free, magnetically driven and epoxy protected, with a ceramic shaft for long, reliable dependable performance. This pump is equipped with a pre-filter basket that handles solids up to a quarter inch in size.

To keep the device in good condition, proper maintenance is required. Therefore, we recommend that you check the pump's performance once a week. If you notice a decrease in the pump's performance (such as a decrease in the water flow from the pump or to the waterfall), first clean the pump's pre-filter basket and the hoses connected to the pump. If the water flow still does not fully return to its original performance, simply clean the impeller and internal pump body. (See page 9 for maintenance instructions.)



In cold climates, we strongly recommend storing your pump indoors during the coldest months of the year. You can still use your pond pump in winter, but the pond pump cannot be used in temperatures below freezing. This pump is designed for use in water temperatures from 32 degrees Fahrenheit (0 degrees Celsius) to 95 degrees Fahrenheit (35 degrees Celsius). Please follow the steps below:

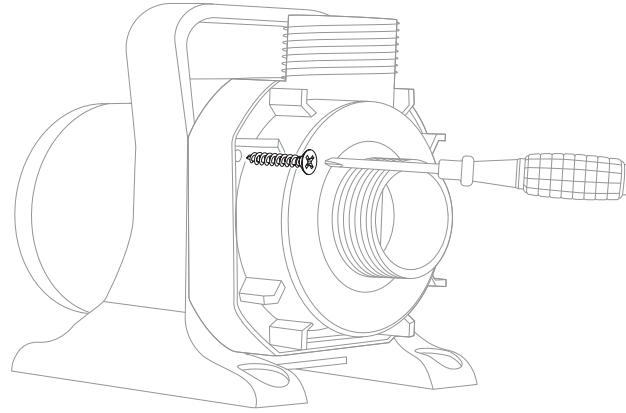
1. Disconnect the plug cord from the power supply.
2. Disconnect the tubing connected to the fitting.
3. Clean the pump and pre-filter with fresh water and store the pump in a frost-free location.



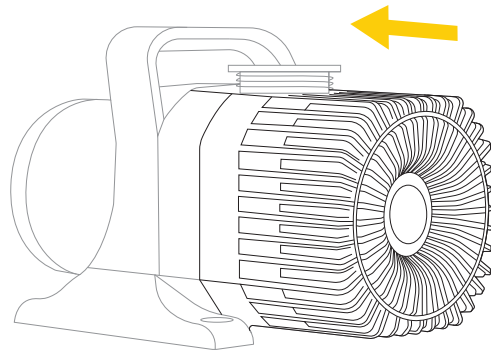
1. If your pump has reduced water flow

- A. The pump or piping may be clogged, check the area around the pump to make sure there is no debris blocking water from entering into the pump.
- B. It may be necessary to clean the pump pre-filter and impeller. Refer to page 11-17 for instructions on how to clean your pump.
- C. If none of the above solves your issue, the impeller needs to be replaced.

STEP 9 Connect the pump body cover to the pump body and secure by tightening with the 4 screws.



STEP 10 Connect the prefilter basket to the pump body by sliding it into place.



SECTION B

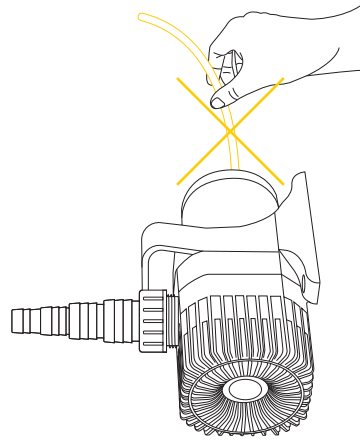
Safety Information



WARNING: For continued protection against the risk of electric shock, connect only to a properly grounded, ground fault circuit interrupter (GFCI) receptacle and follow the guidelines below:

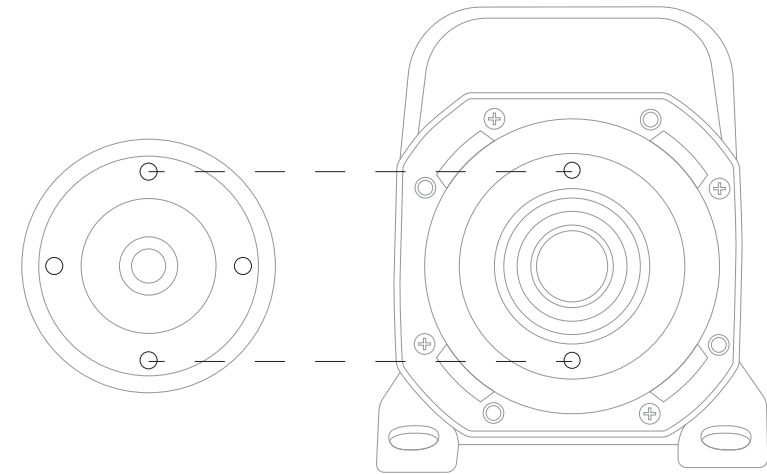
- (A) Read and follow all safety instructions and all the important notices on the appliance before using the pump. Failure to do so may result in loss of fish life and/or damage to this appliance.
- (B) Have a qualified electrician install a properly grounded receptacle outlet, acceptable for outdoor use and protected from snow and rain.
- (C) All pump wiring should be performed by a qualified electrician to ensure code compliance and user safety.
- (D) If an extension cord is necessary, make sure the connection is waterproof and dustproof. A cord of the proper rating should be used. A cord rated for fewer amps or watts than the appliance rating may overheat. Care should be taken to arrange the cord so that it cannot be tripped over or pulled. Connection should be made by a qualified electrician.
- (E) Unplug the pump at receptacle outlet when not in use or before removing from the pond.
- (F) To reduce the risk of electric shock, all wiring and junction connections should be made according to local codes. Requirements may vary by application and location.
- (G) Inspect the power cable before use. The power cable should be protected at all times to prevent punctures, cuts, bruises and abrasions. Never cut the cord.

- (H) Never handle the power cord with wet hands.
- (I) To avoid injury, do not touch moving or hot parts.
- (J) Do not use the power cord to lift the pump.

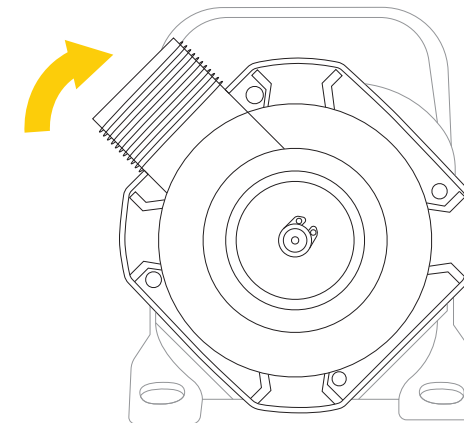


IMPORTANT: VIVOHOME is not responsible for loss, injury, or death resulting from a failure to follow these safety precautions, misuse or abuse of pumps or equipment.

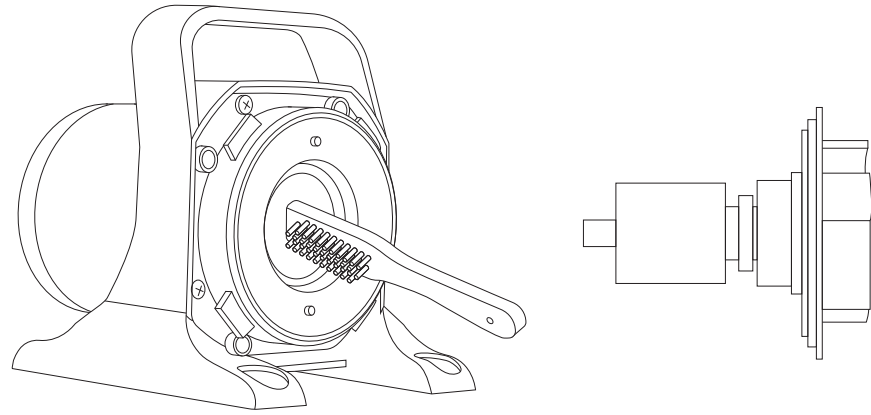
STEP 7 There are pins on the pump body that the impeller will snap into. The impeller has openings on the back for the pins to engage.



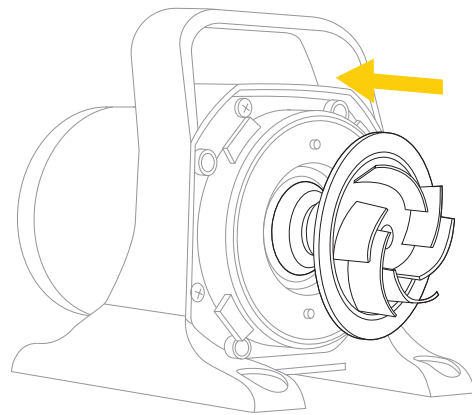
STEP 8 Place the pump body cover 45 degrees to the left and turn to the right to lock into place.



STEP 5 If your impeller and internal pump body have excessive scale build-up, clean with a mild acid, such as white vinegar, or non-abrasive calcium, lime and rust remover product, and a sponge or soft-bristled brush that won't scratch the stainless steel. Removing the scale build-up will allow your pump to run like new again.

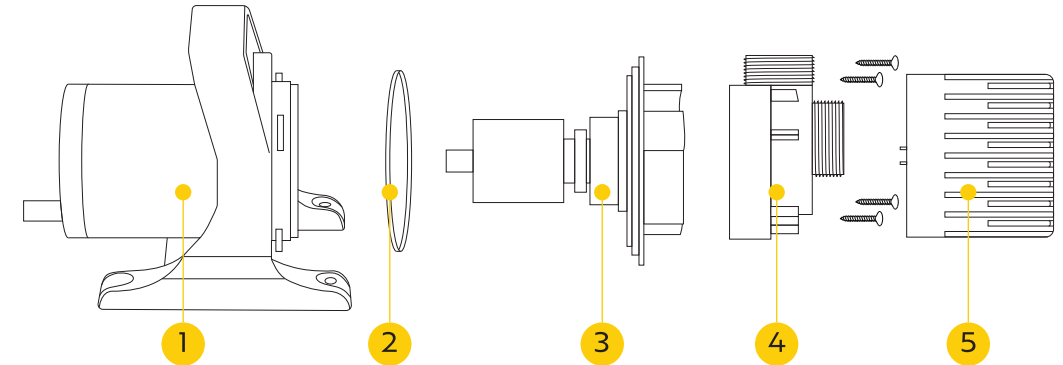


STEP 6 After the impeller and internal body are cleaned, place the impeller back into the pump body. Turn the impeller to either the left or right until it clicks into place.



SECTION C

Components & Pump Parts



1 Pump Body		6 Rubber Fitting for Multi-Hose Adapter	
2 O-Ring		7 Multi-Hose Adapter-0.75"-1.5"	
3 Impeller		8 Multi-Hose Adapter-1"-1.25"	
4 Pump Body Cover		9 1 3/4" Adapter Fitting A. (YH-8500 - YH-12000) B. (YH-15000 - YH-30000)	
5 Pump Pre-filter Basket		10 3 1/2" Adapter Fitting (For Model: YH-35000)	

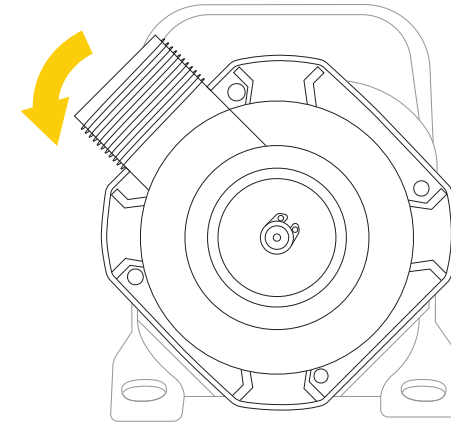
SECTION D

Pump Information



Model	Watts (Min-Max)	Max Flow (GPH)	Max Height (ft)	GPH Flow Rate					
				1 ft	5 ft	10 ft	15 ft	20 ft	25 ft
YH-6000	100	1600	15	1570	1030	290	---	---	---
YH-7000	120	2100	16	2070	2070	790	100	---	--
YH-8500	200	2600	20	2570	2030	1290	250	---	---
YH-12000	300	3700	21	3670	2551	1450	479	---	---
YH-15000	350	4000	21	3963	3052	2140	1229	317	---
YH-20000	450	5200	25	5184	4230	3175	2121	1067	---
YH-25000	500	6550	26	6505	5369	4132	2896	1659	422
YH-30000	600	8000	26	7926	6439	4954	3467	1982	494

STEP 3 Rotate the pump cover counterclockwise to remove it from the pump body.



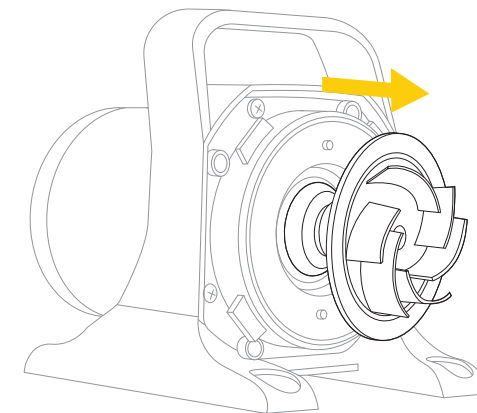
SECTION E

Installation



- Do not operate the pump unless water is flowing through it. Failure to do so will cause the pump to overheat and fail, voiding the warranty. **DO NOT OPERATE DRY!** If you are going to use your Cyclone pump "in-line" or "out of the water", you must prime the pump before turning it on. Priming a pump means introducing water into the tubing both in and out of the pump to create a suction effect to draw water from the source. Failure to do this can cause your pump to run dry due to air in the system, which can cause the pump to appear not to be working and eventually it will burn the pump out altogether. Remember, running a pond pump dry will void your warranty!

STEP 4 Pull the impeller out of the pump body.

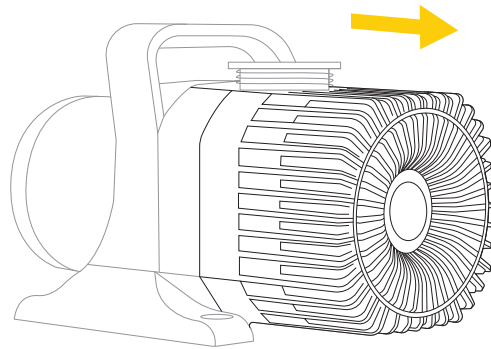


Replacing the Impeller

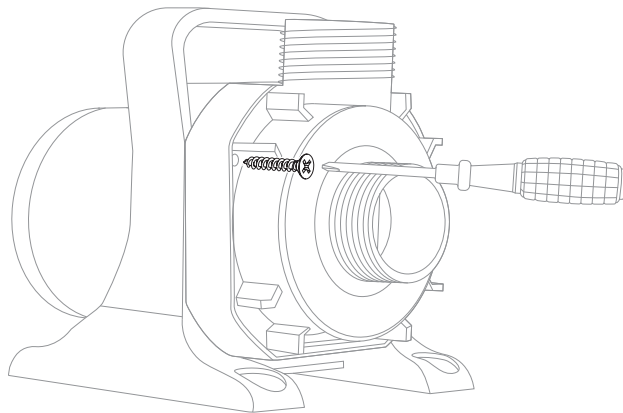


If you have thoroughly cleaned the pre-filter basket and are still experiencing reduced flow, you will need to remove and inspect the impeller and internal pump body.

STEP 1 Remove the pre-filter by pulling the basket off the front of the pump.



STEP 2 Remove the 4 screws securing the pump body cover to the pump body.

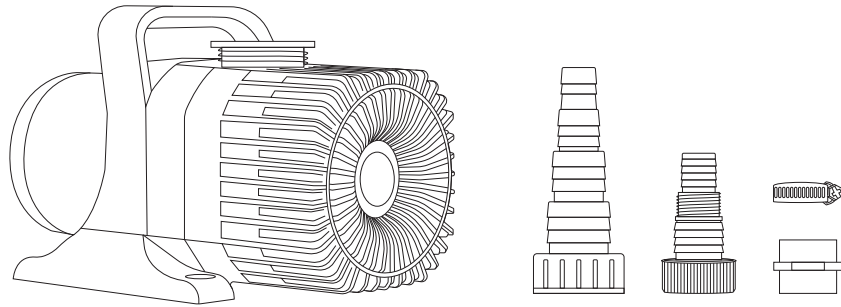


- Make sure the pre-filter basket is fully latched. Operating the pump without the pre-filter basket in place will allow large debris to enter the pump, causing the pump to fail and voiding the warranty. To protect your fish or other pond life from being sucked into the pump, it is highly recommended that you do not operate the pump without the pre-filter basket in place.
- Do not wear loose clothing that may become entangled in the impeller or other moving parts during installation.
- Keep clear of suction and discharge openings. **DO NOT** insert fingers into the pump when it is energized.
- Do not pump hazardous materials or liquids, such as oil, saltwater or organic solvents.
- Do not allow debris to block or restrict the pre-filter basket from water entry.

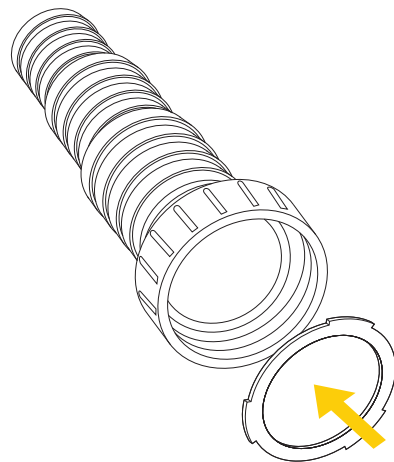
This pump is designed to be submerged directly into the pond or out of the pond as long as water is flowing through the pump. To maximize pond circulation, place the pump as far away as possible from where the water returns to the water feature.

It is **NOT** recommended to place the pump in the deepest part of the pond. This will protect fish from suffocation by preventing the pond from completely draining in the event of a hose leak. If necessary, bricks or rocks can be used to raise the pump from the bottom of the pond. The pump should be placed no deeper than 2 meters (6.5 feet).

STEP 1 The Cyclone pump includes fittings for all water features.

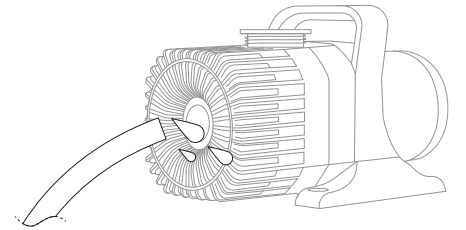


STEP 2 A flat rubber washer seal is included to provide a hand-tightened and leak-free connection. Make sure the flat rubber washer is in place before installing the fitting.



Pump Pre-Filter Basket

Do not remove the pump strainer basket while the pump is operating. Operating the pump without the pre-filter basket or operating the pump with a broken basket will allow large debris to enter the pump, causing damage to the pump, thus voiding the warranty.



Pump Pre-Filter Cleaning

We recommend that you inspect your pump regularly to ensure that it is functioning properly. If you notice a decrease in water flow, the pump's pre-filter basket may be clogged with debris. In many cases, the clogged filter basket can be cleaned by reaching into the pond and pulling the pump out of the water to remove the debris from the filter basket.

Important Note: Always disconnect the power supply before servicing the pump, pull off any debris stuck to the pump pre-filter basket and/or use a garden hose to spray off any debris stuck to the filter basket.

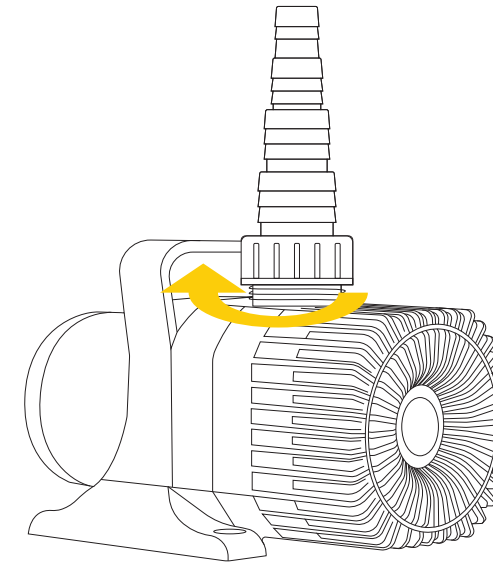


WARNING: Always unplug or disconnect all appliances in the pond from the electrical supply before installing, repairing, maintaining or handling the equipment in the water.

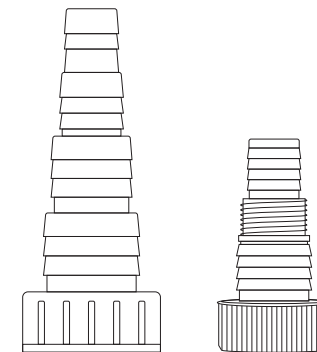
To avoid shortening the life of the pump, follow these simple maintenance procedures:

- Once a week, verify that the pump performance is satisfactory. If you notice a decrease in pump performance (such as a decrease in water flow from the pump or to the waterfall) first clean the pump's pre-filter basket and piping. If the water flow still does not fully return to its original performance, clean the impeller and internal pump body.
- The pump impeller includes a high-quality ceramic shaft that will provide long-lasting, reliable performance when properly maintained. However, extreme care should be taken when handling the shaft during maintenance. Avoid dropping or pressing too hard on the shaft to avoid breakage or hairline cracks that may cause the shaft to break during operation.
- This pump is suitable for use in water temperatures from 32 degrees Fahrenheit (0 degrees Celsius) to 95 degrees Fahrenheit (35 degrees Celsius).
- To keep the pump in good working condition, always replace any worn parts.

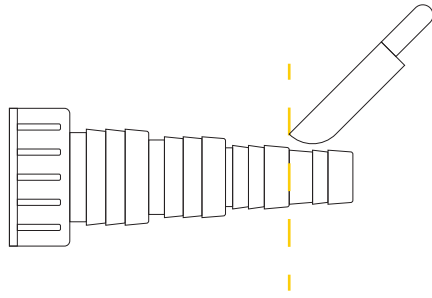
STEP 3 The threaded collar on all fittings enables the pump to be installed and removed without the need for any tools. Do not use tools to attach the fittings to the pump outlet as the tool may break the fitting. The fittings must be hand-tightened only.



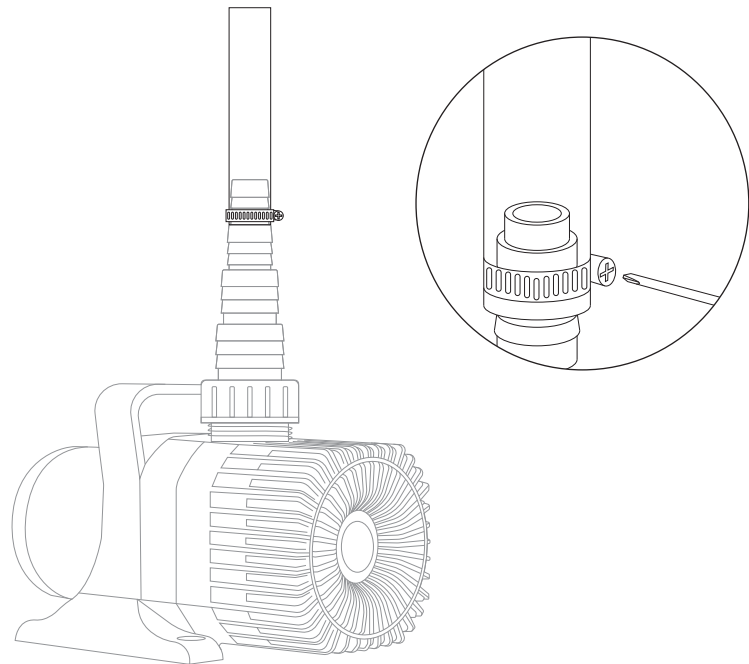
STEP 4 Install the right-sized multi-hose adapter based on the diameter of the tubing you are using.



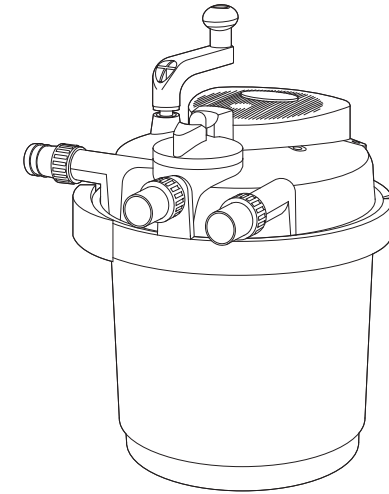
STEP 5 If the tubing you use is larger in diameter than the smaller fittings on the multi-hose adapters, cut off the smaller section to avoid restricting flow. This will allow your pump to perform at its best.



STEP 6 Attach the tubing to the multi-hose adapter. If the tubing is loose on the multi-hose adapter, use a hose clamp (not included) to secure the tubing to the fitting.



STEP 7 Connect the other end of the pump tubing to a pond filter, waterfall or water feature.



STEP 4 Place the pump into your water feature. Be sure it is fully submerged before plugging into a GFCI (ground fault circuit interrupter). Once the pump is running and water is circulating through the filter(s) or waterfalls, check for leaks in the fittings or waterfalls where the external connections are made.

