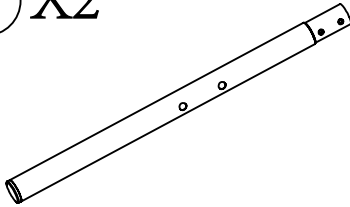
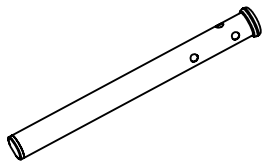
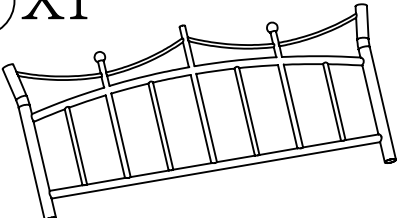
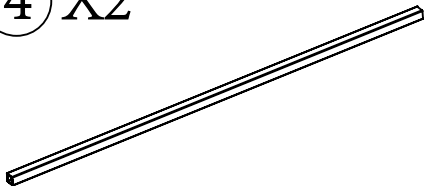
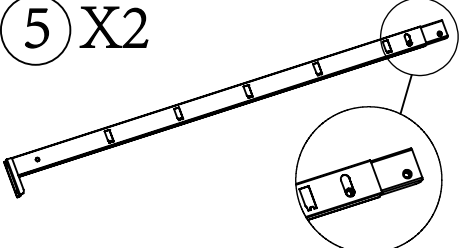
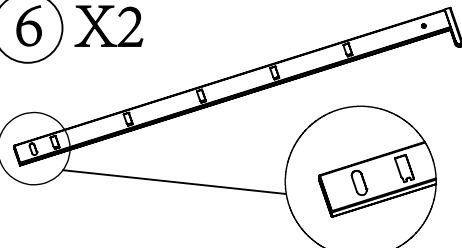
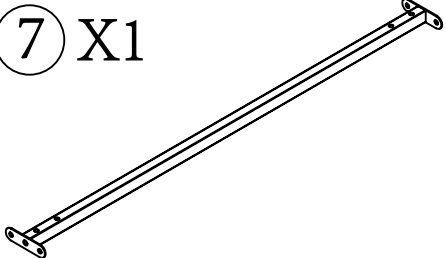
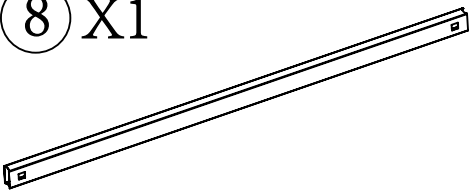
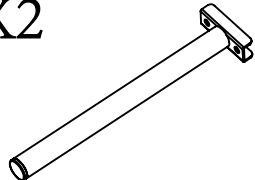
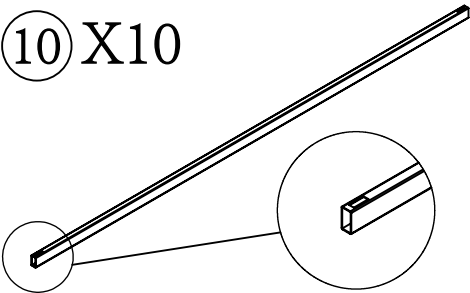
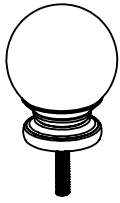
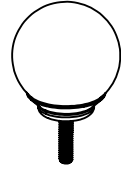



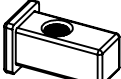



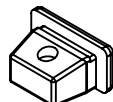
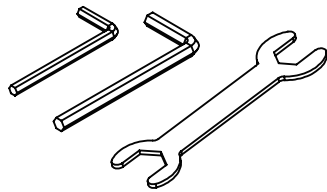
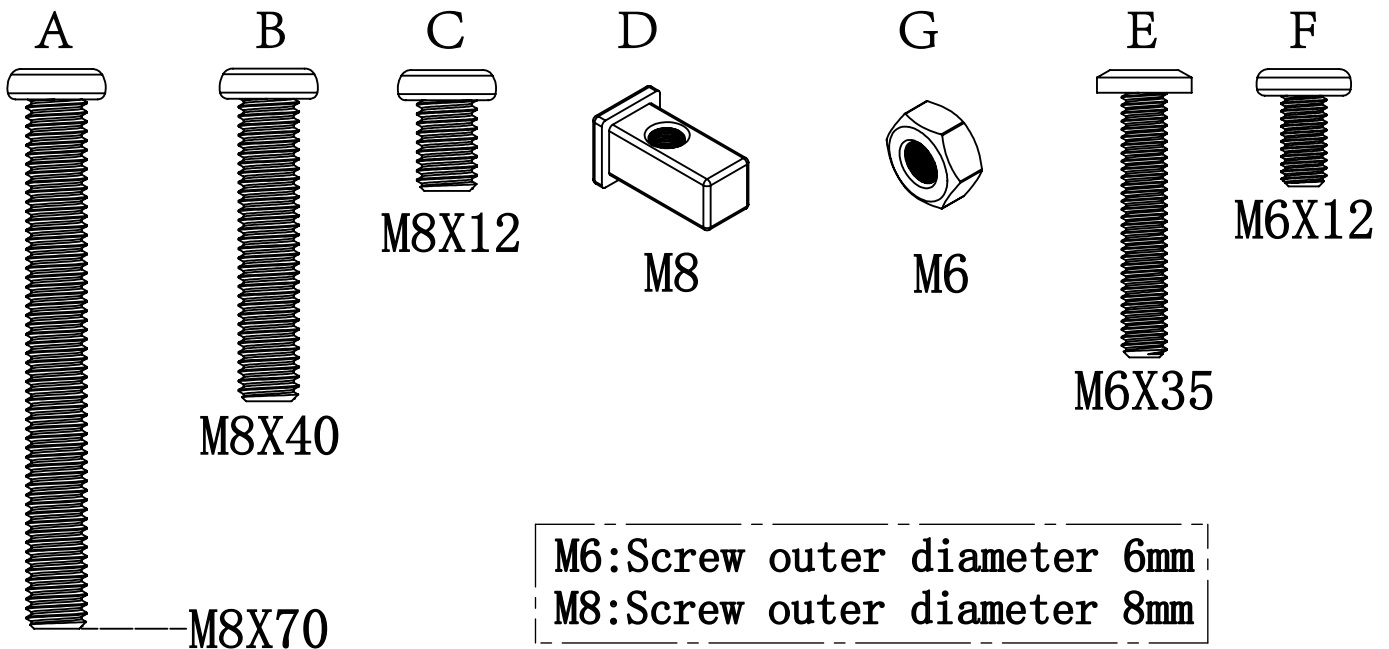


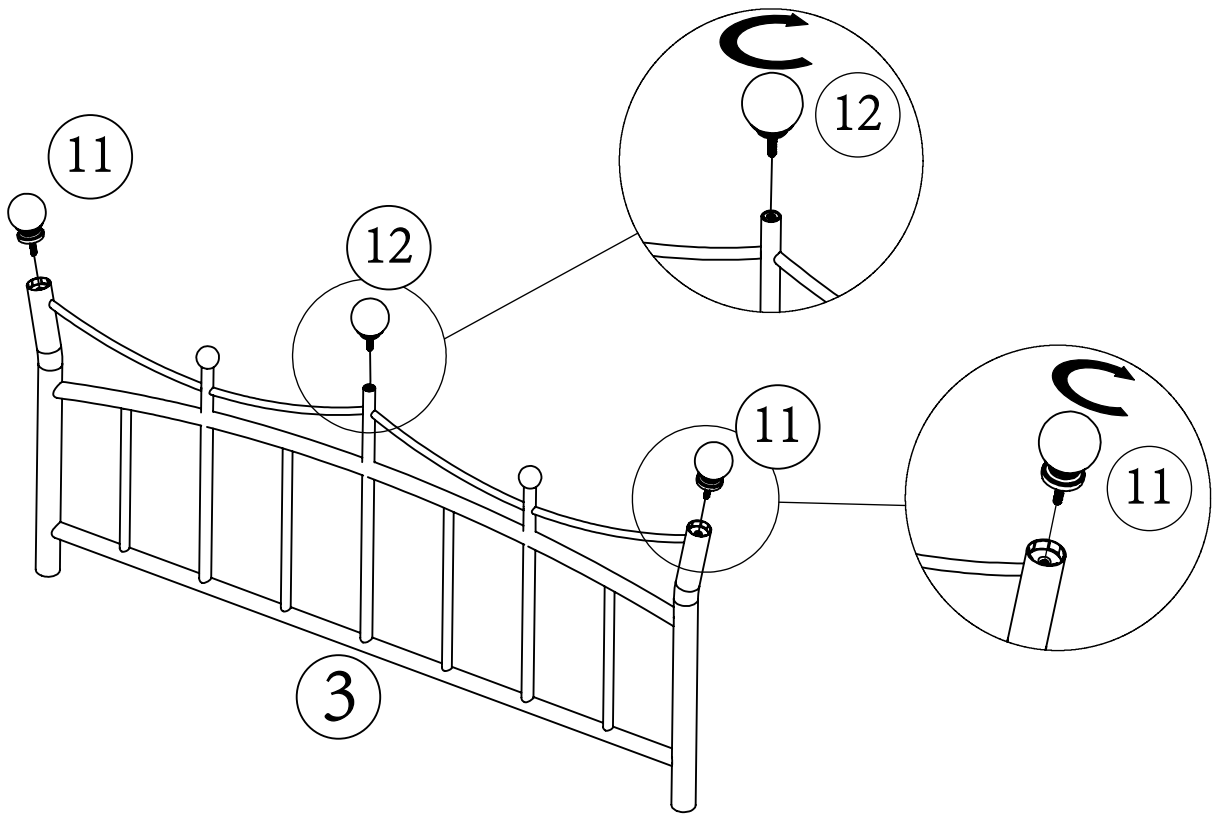
<p>① X2</p> 	<p>② X2</p> 	<p>③ X1</p> 				
<p>④ X2</p> 	<p>⑤ X2</p> 	<p>⑥ X2</p> 				
<p>⑦ X1</p> 	<p>⑧ X1</p> 	<p>⑨ X2</p> 				
<p>⑩ X10</p> 	<p>⑪ X2</p> 	<p>⑫ X1</p> 	<p>Ⓐ X2</p>  <p>M8X70</p>	<p>Ⓑ X8</p>  <p>M8X40</p>		
<p>Ⓒ X4</p>  <p>M8X12</p>	<p>Ⓓ X2</p>  <p>M8</p>	<p>Ⓔ X8</p>  <p>M6X35</p>	<p>Ⓕ X4</p>  <p>M6X12</p>	<p>Ⓖ X4</p>  <p>M6</p>	<p>Ⓗ X20</p> 	

Different screws display(1:1)

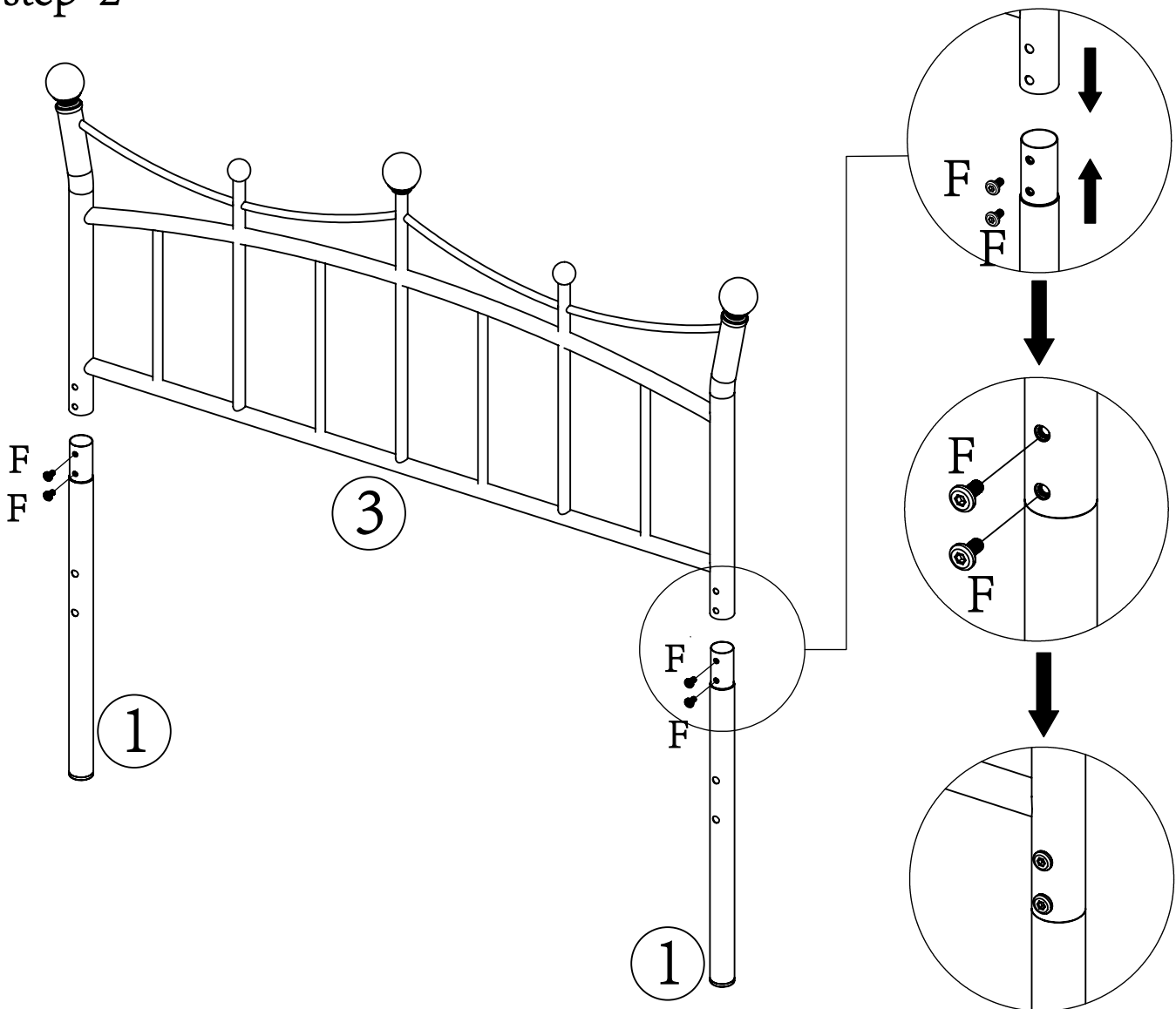


M6:Screw outer diameter 6mm  
M8:Screw outer diameter 8mm

step 1

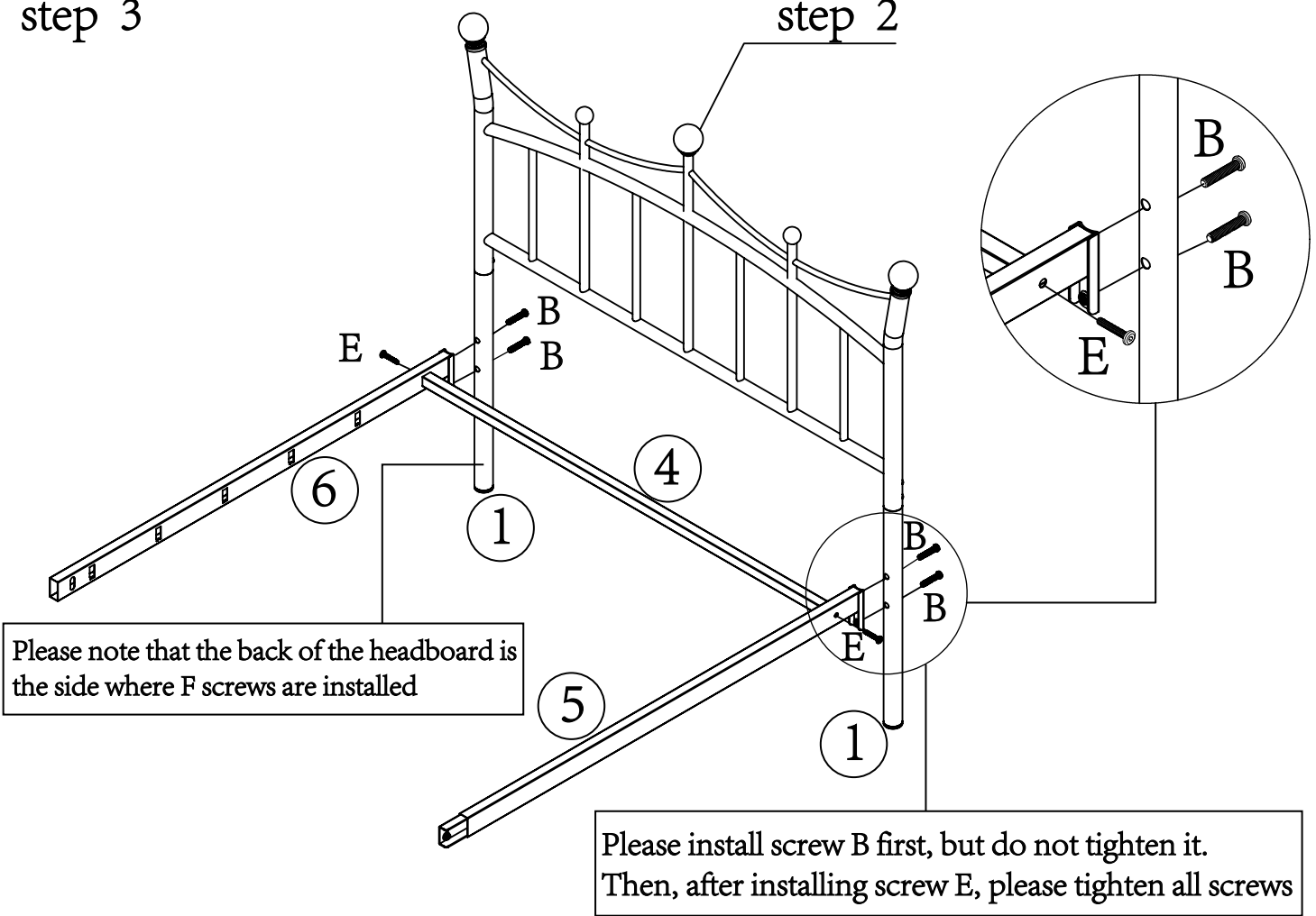


step 2

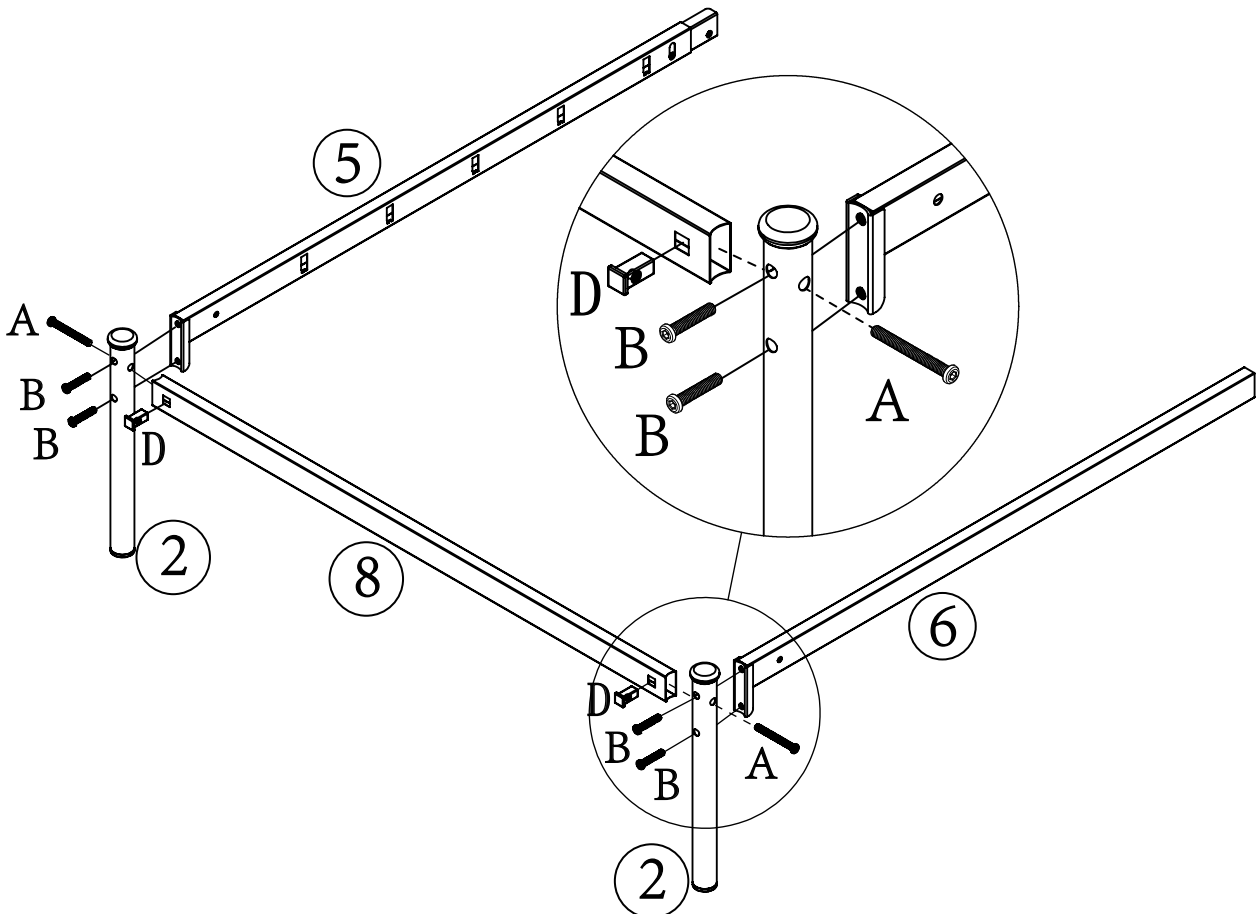


### step 3

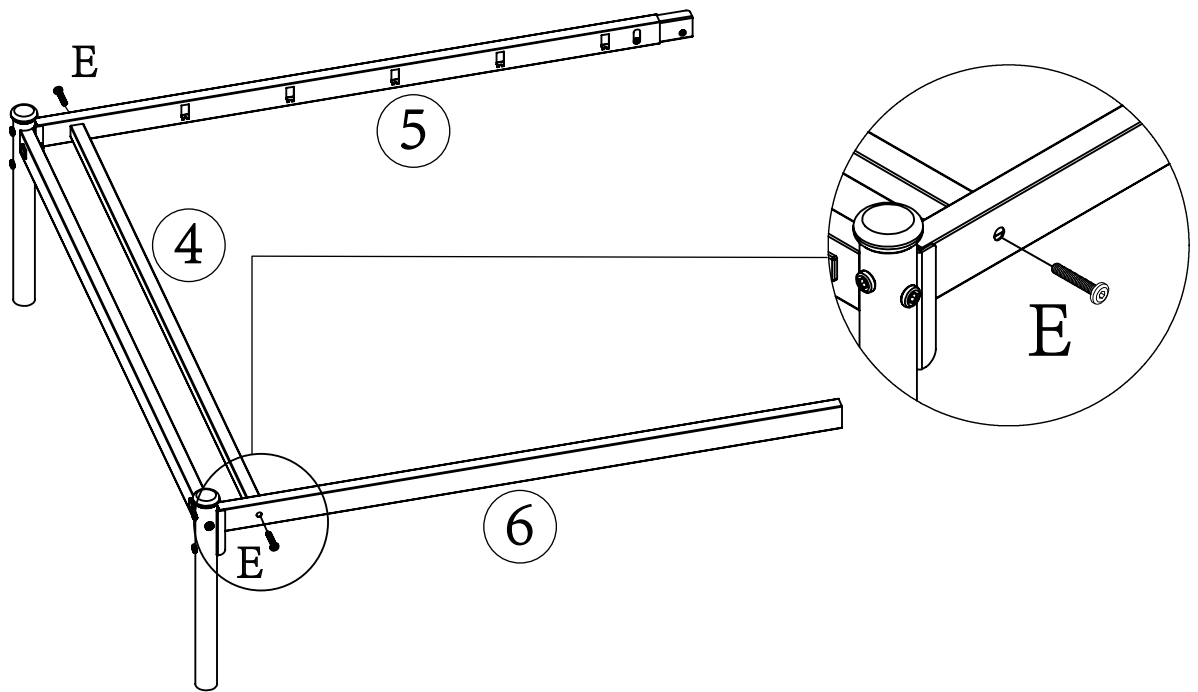
### step 2



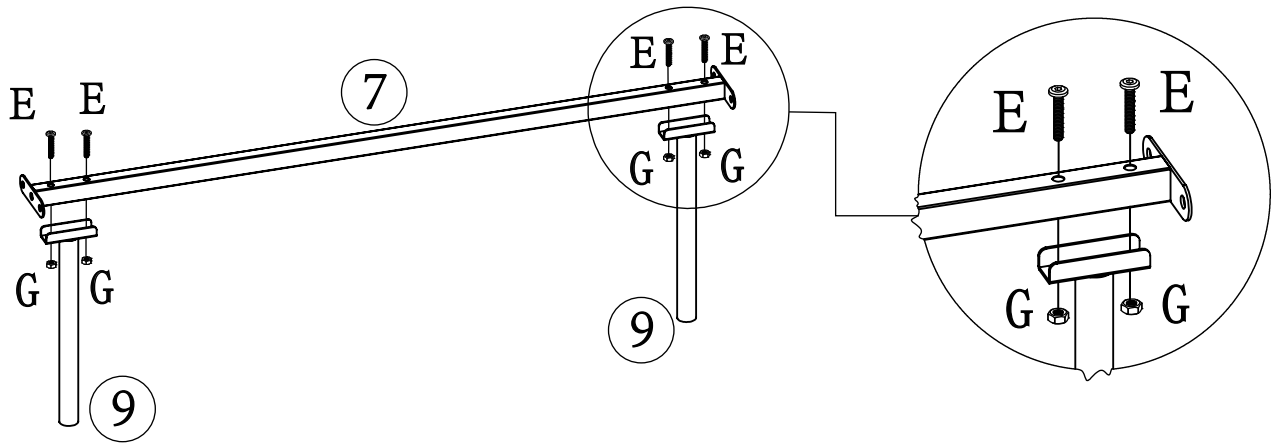
### step 4



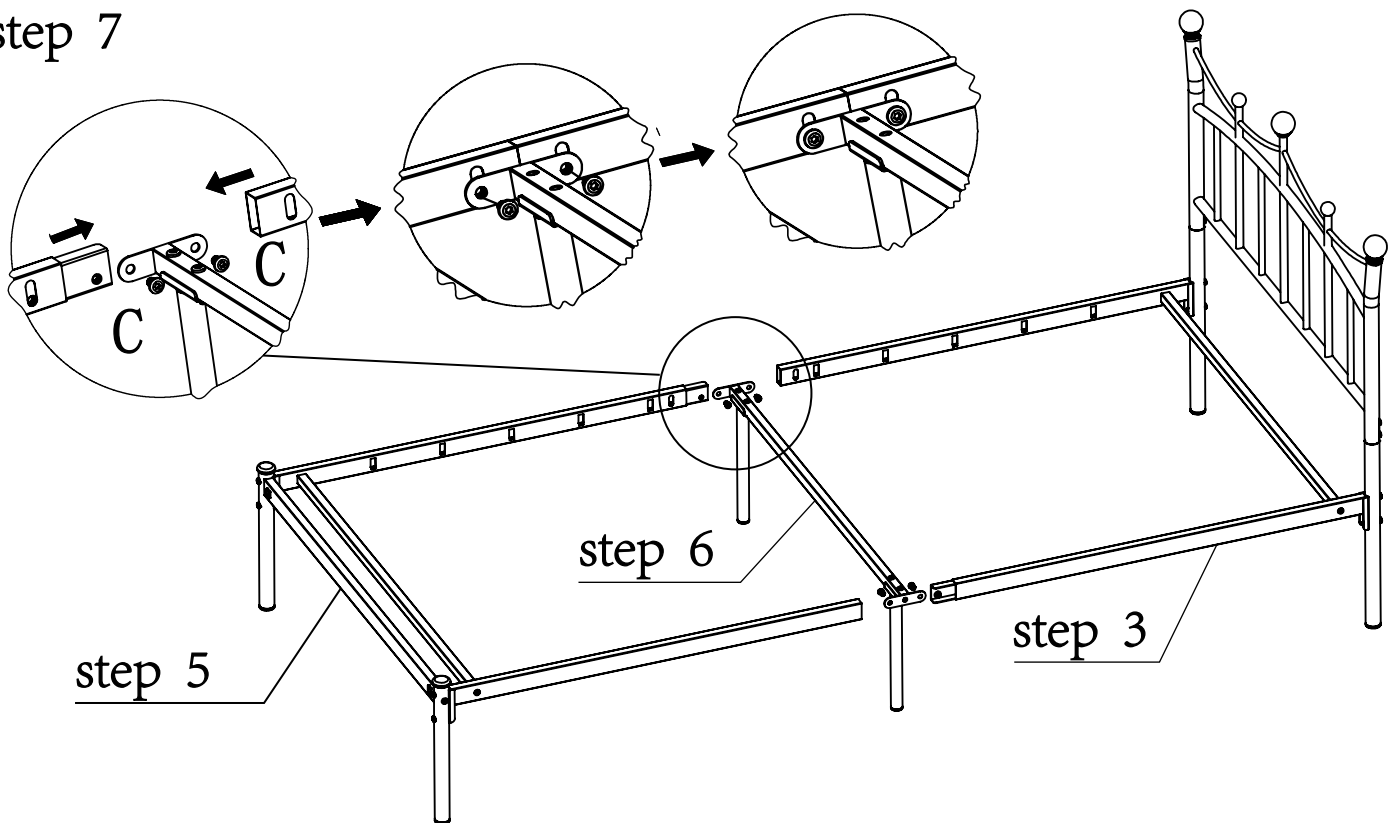
step 5



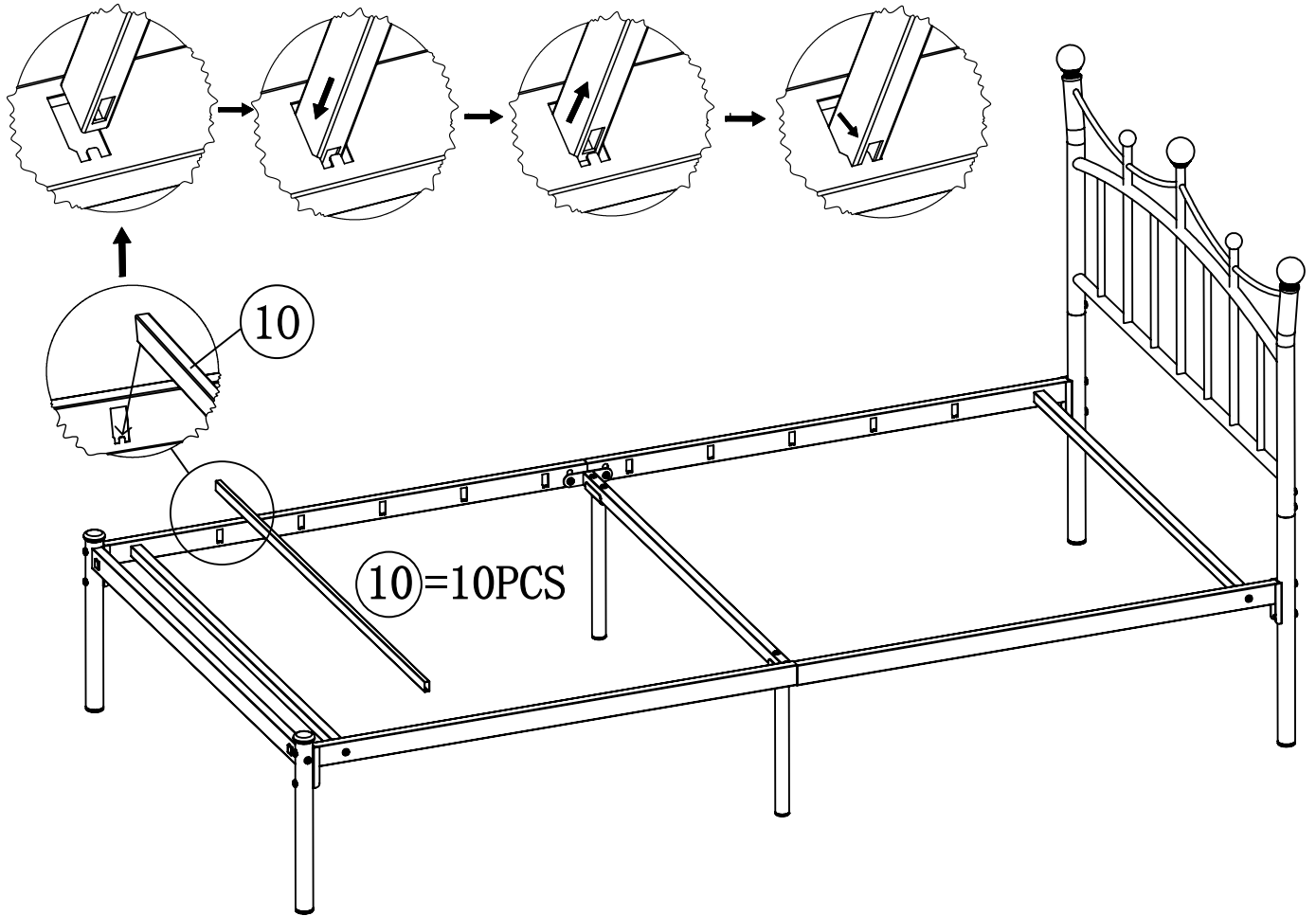
step 6



step 7



step 8



step 9

