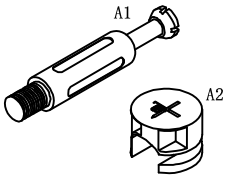
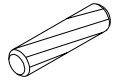
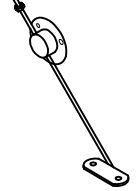
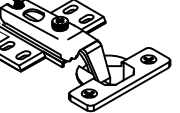
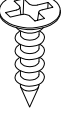
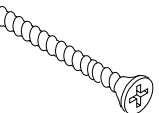
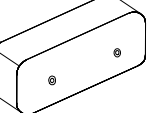
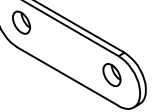
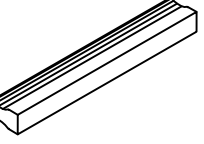



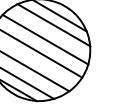
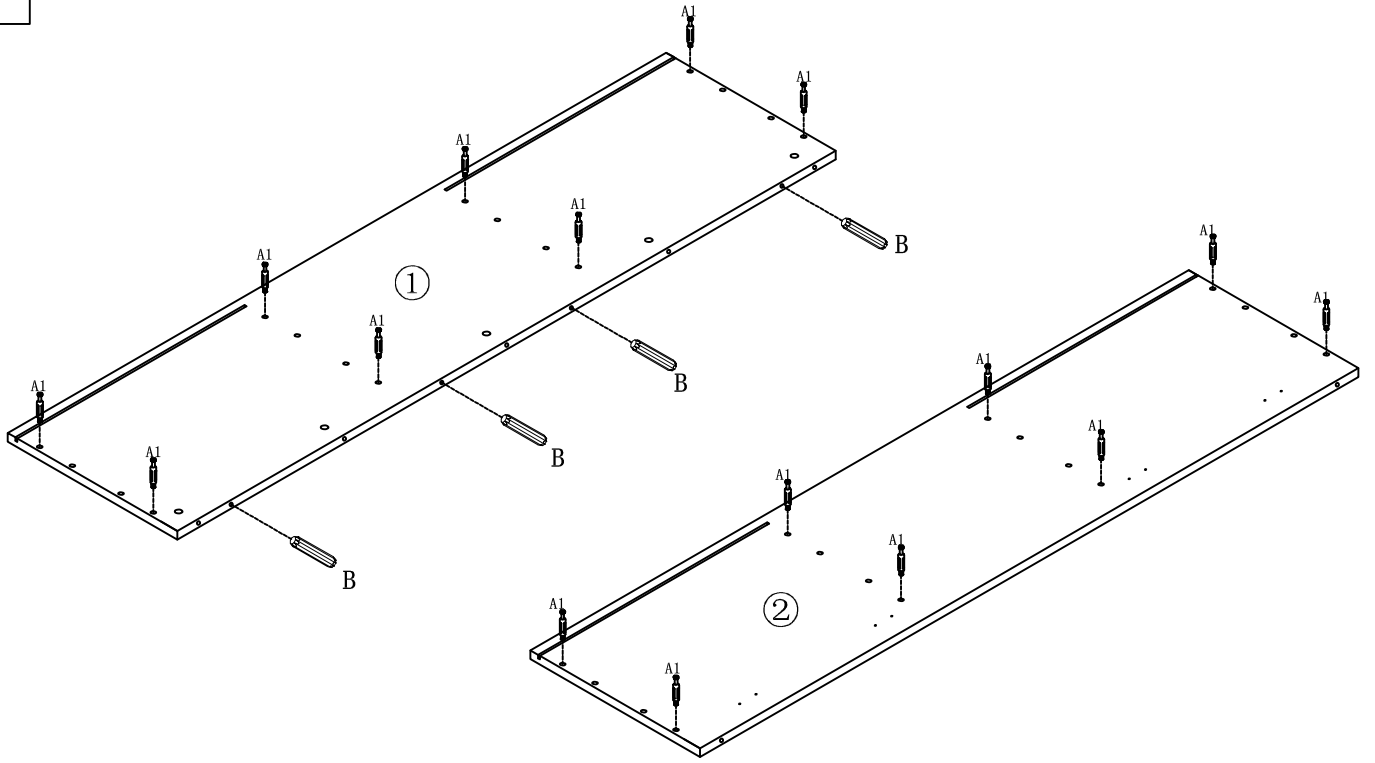
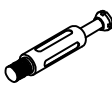
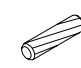


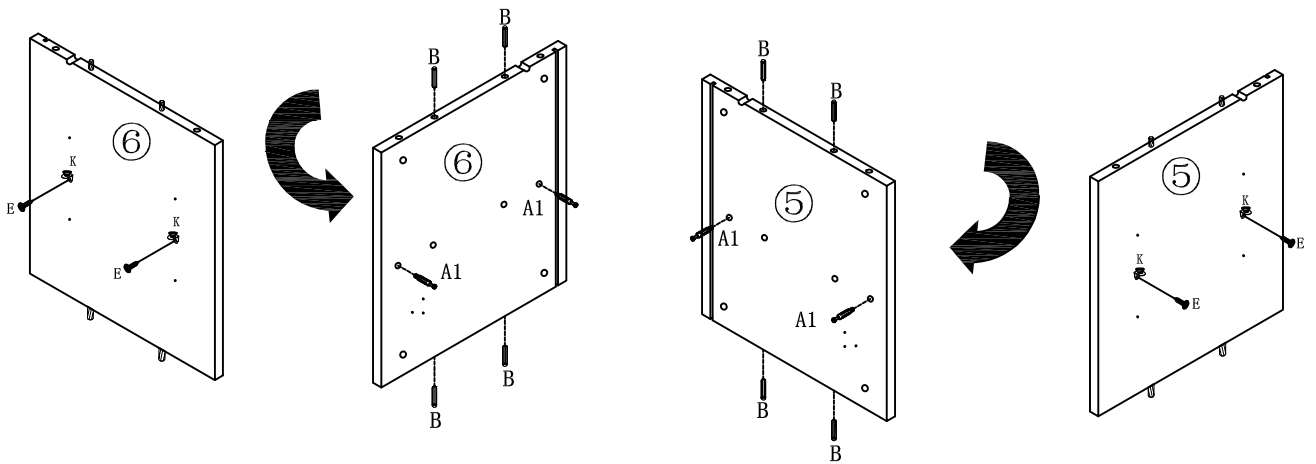
<p><b>A</b></p>  <p>37pcs</p>	<p><b>B</b></p> <p>Φ 8*40</p>  <p>32pcs</p>	<p><b>C</b></p>  <p>2pcs</p>	<p><b>D</b></p>  <p>4pcs</p>	<p><b>E</b></p> <p>Φ 3.5*14</p>  <p>38pcs</p>	<p><b>F</b></p> <p>Φ 3.5*25</p>  <p>10pcs</p>	<p><b>G</b></p>  <p>5pcs</p>
<p><b>H</b></p>  <p>4pcs</p>	<p><b>I</b></p>  <p>2pcs</p>	<p><b>J</b></p>  <p>4pcs</p>	<p><b>K</b></p>  <p>4pcs</p>	<p><b>L</b></p>  <p>1pcs</p>	<p><b>M</b></p>  <p>37pcs</p>	

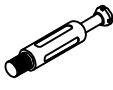
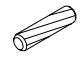


# 1

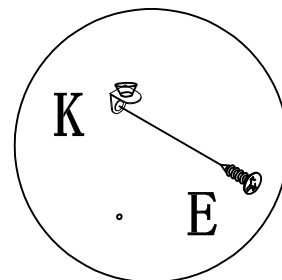


<p>A1</p>  <p>16pcs</p>	<p>B</p> <p>Φ 8*40</p>  <p>4pcs</p>
--	--

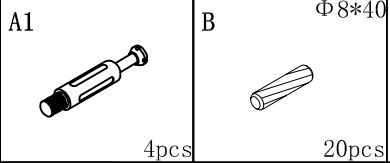
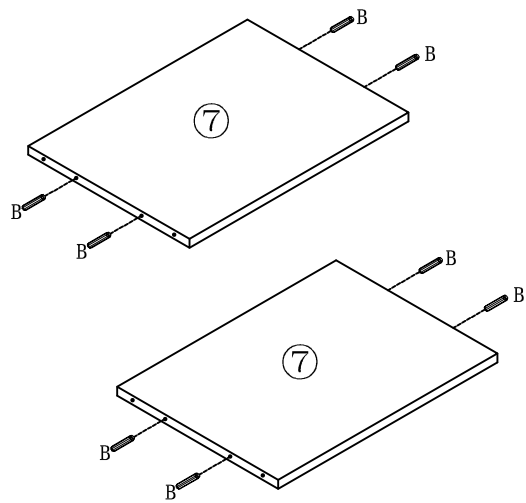
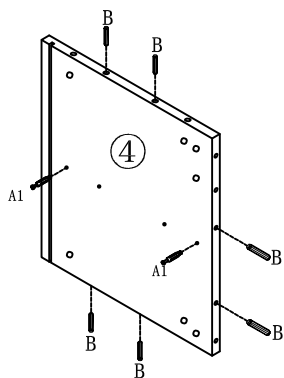
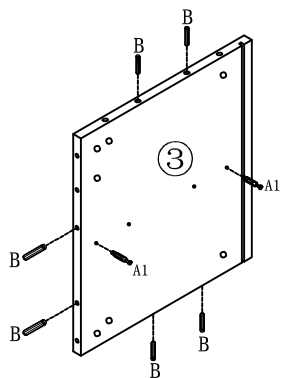
# 2



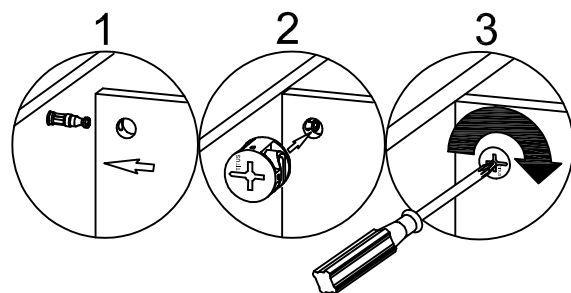
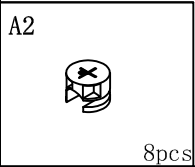
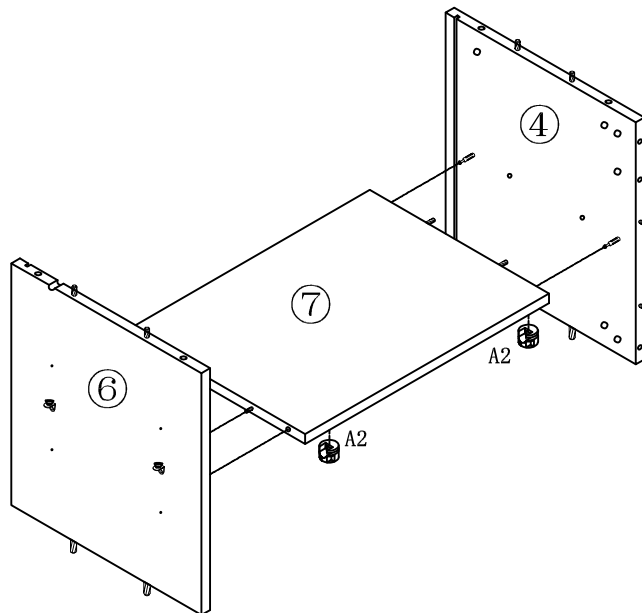
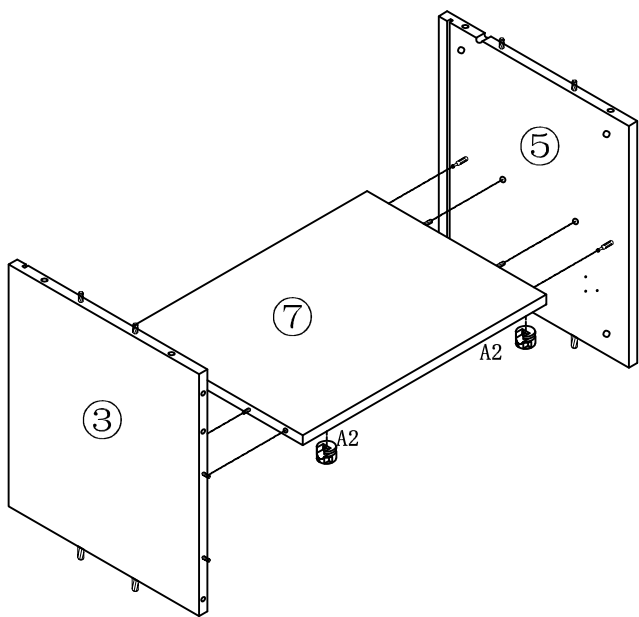
<p>A1</p>  <p>4pcs</p>	<p>B</p> <p>Φ 8*40</p>  <p>8pcs</p>	<p>E</p> <p>Φ 3.5*14</p>  <p>4pcs</p>	<p>K</p>  <p>4pcs</p>
--	--	--	--



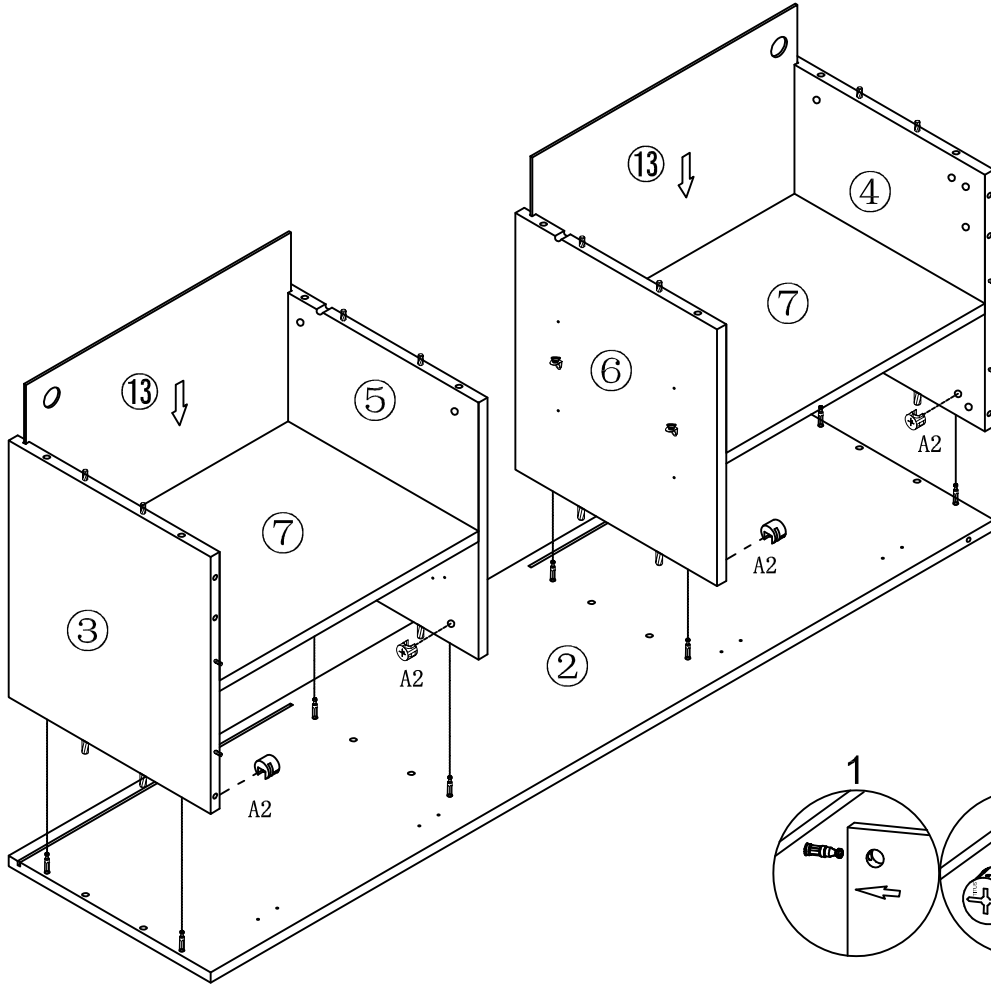
3



4



5

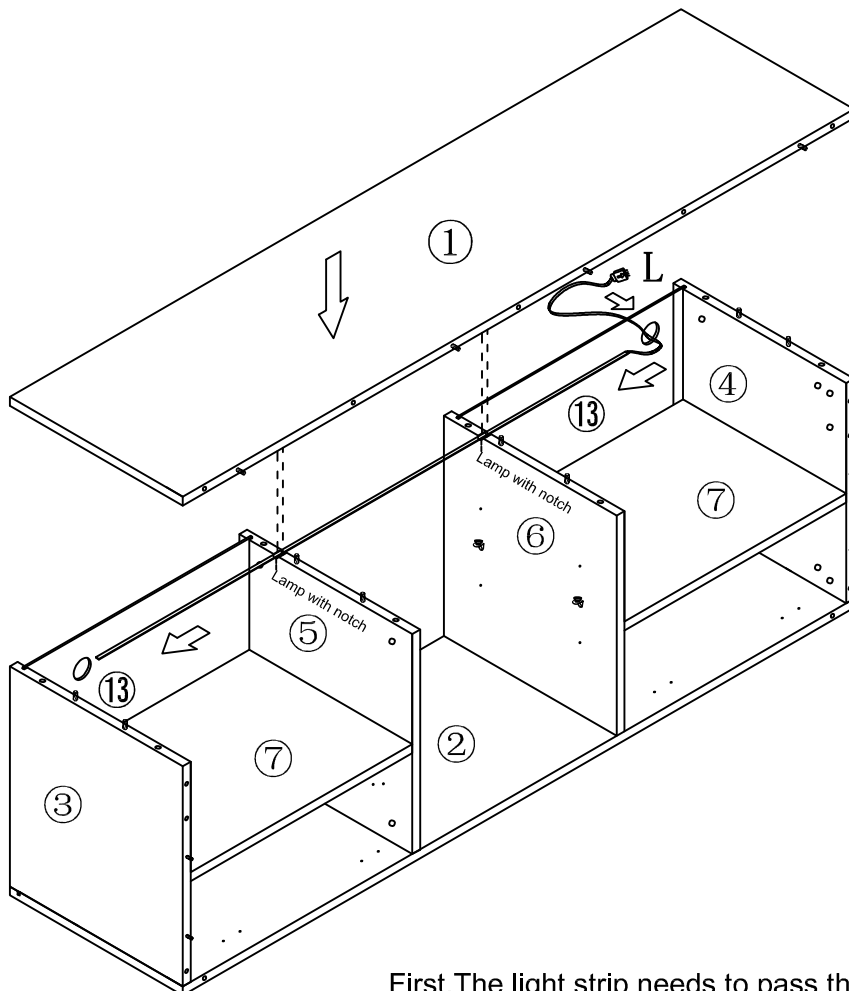


A2



8pcs

6



L



USB-LED

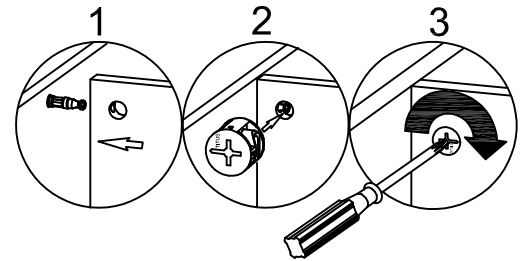
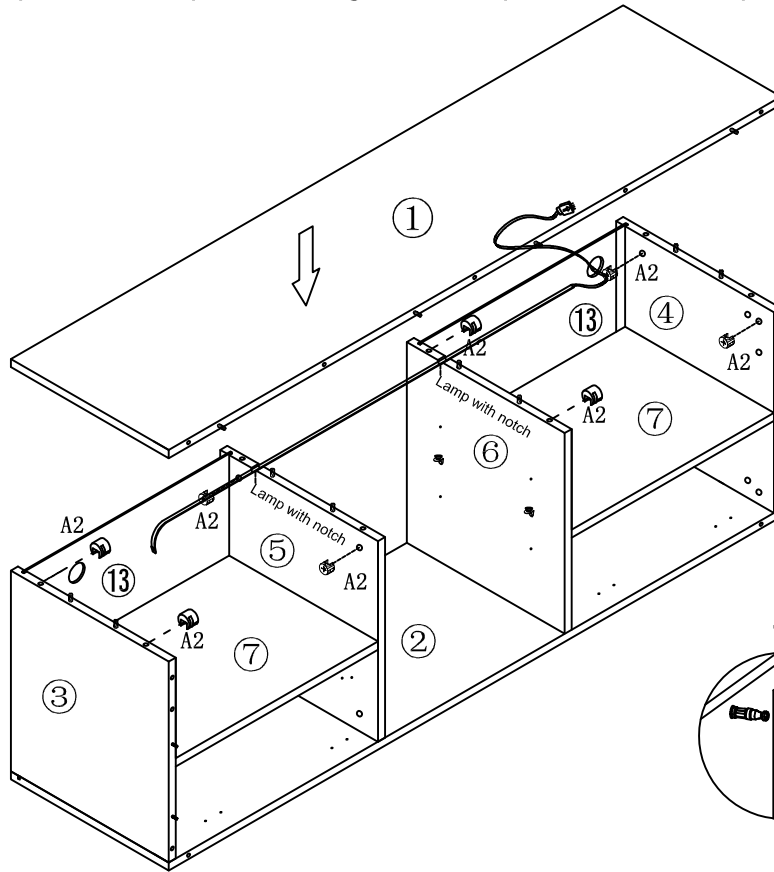
First, The light strip needs to pass through the notch of back panel

# 8

## Install the CAM LOCK

Then tear off the back glue belt and fix the lamp belt on the top panel

Note: the lamp belt must pass through the lamp belt slot when passing through

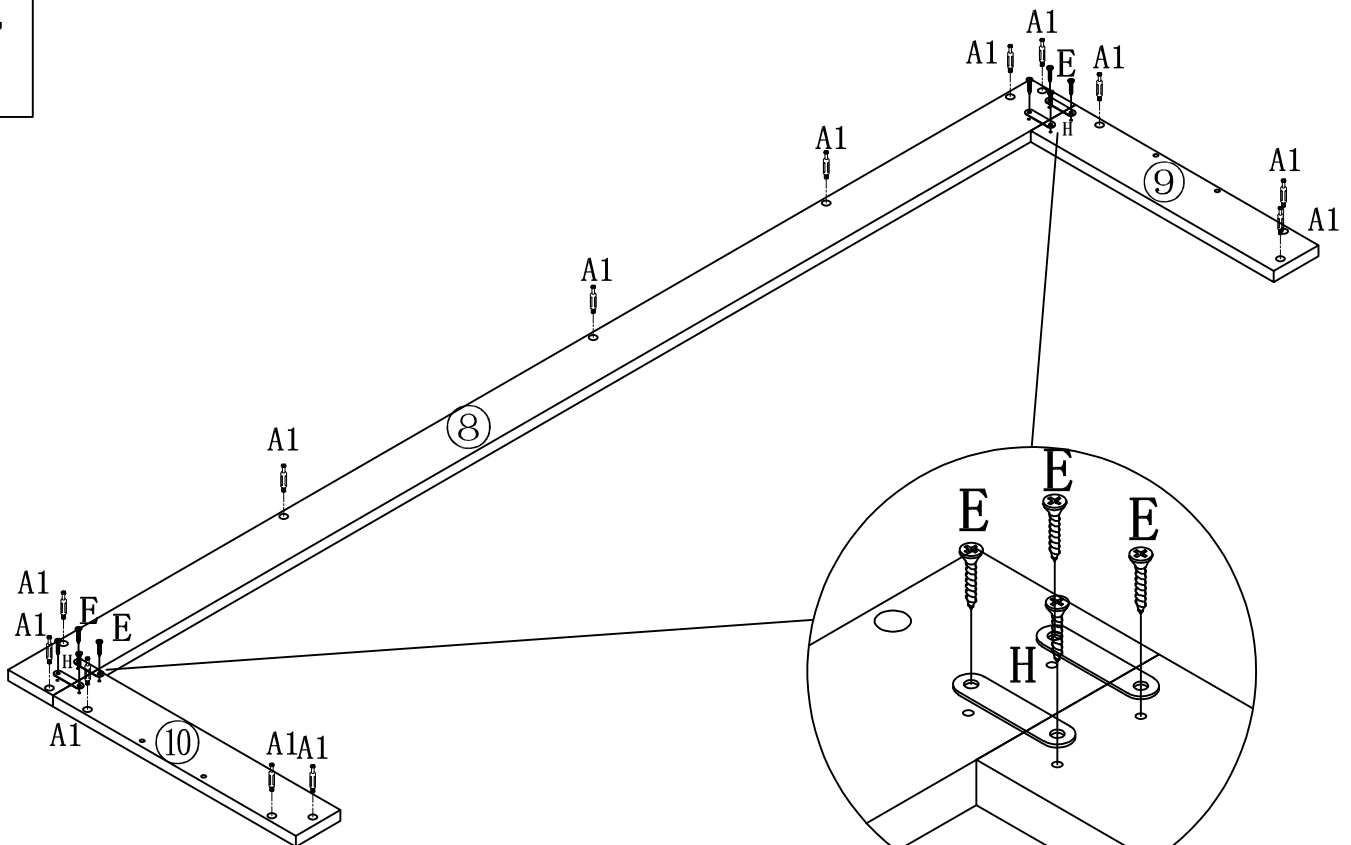


A

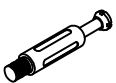


8pcs

# 7

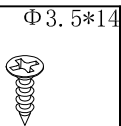


A



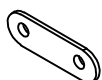
13pcs

E



8pcs

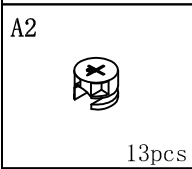
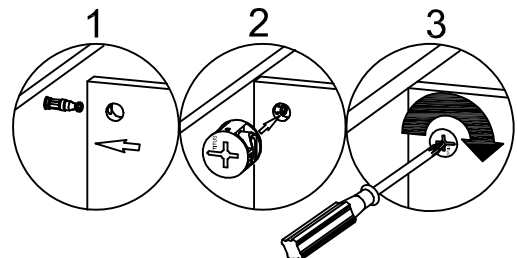
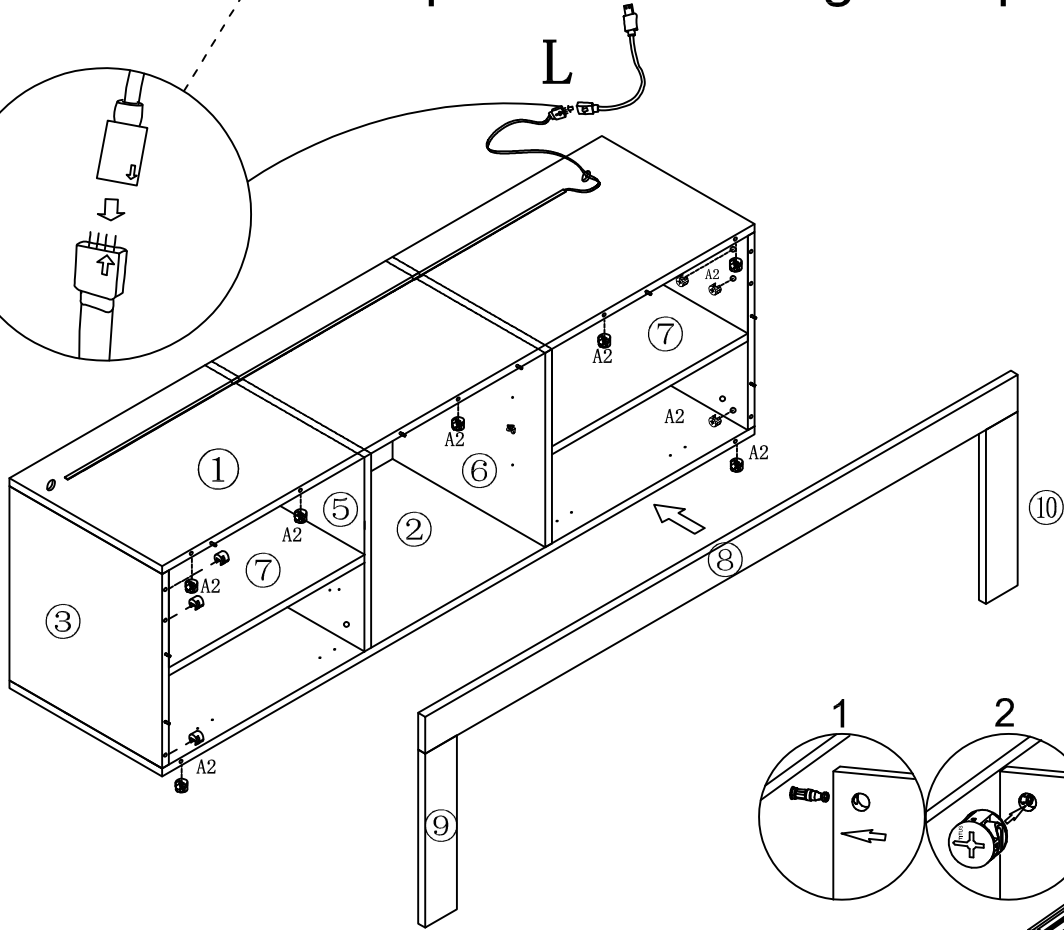
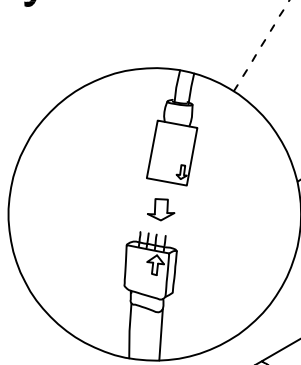
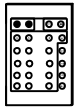
H



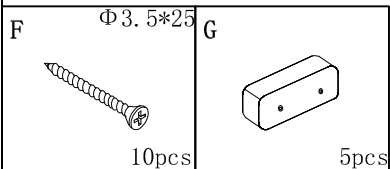
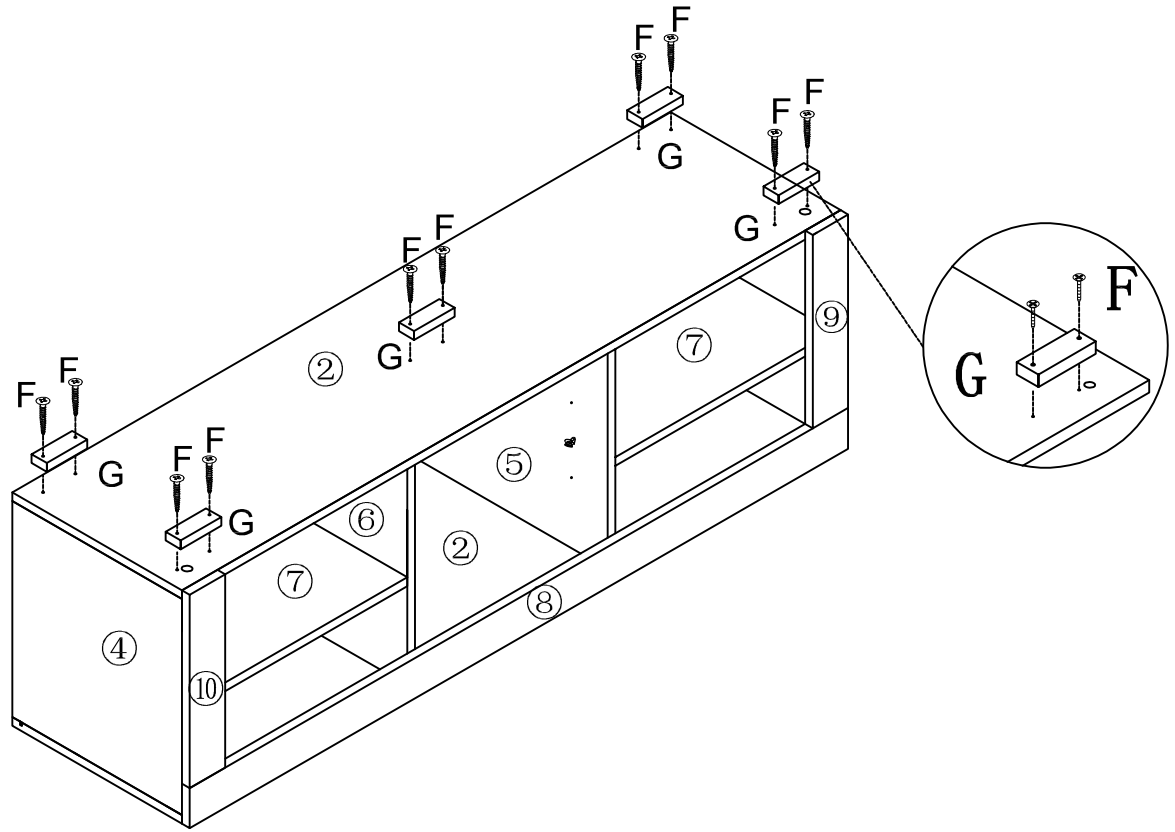
4pcs

9

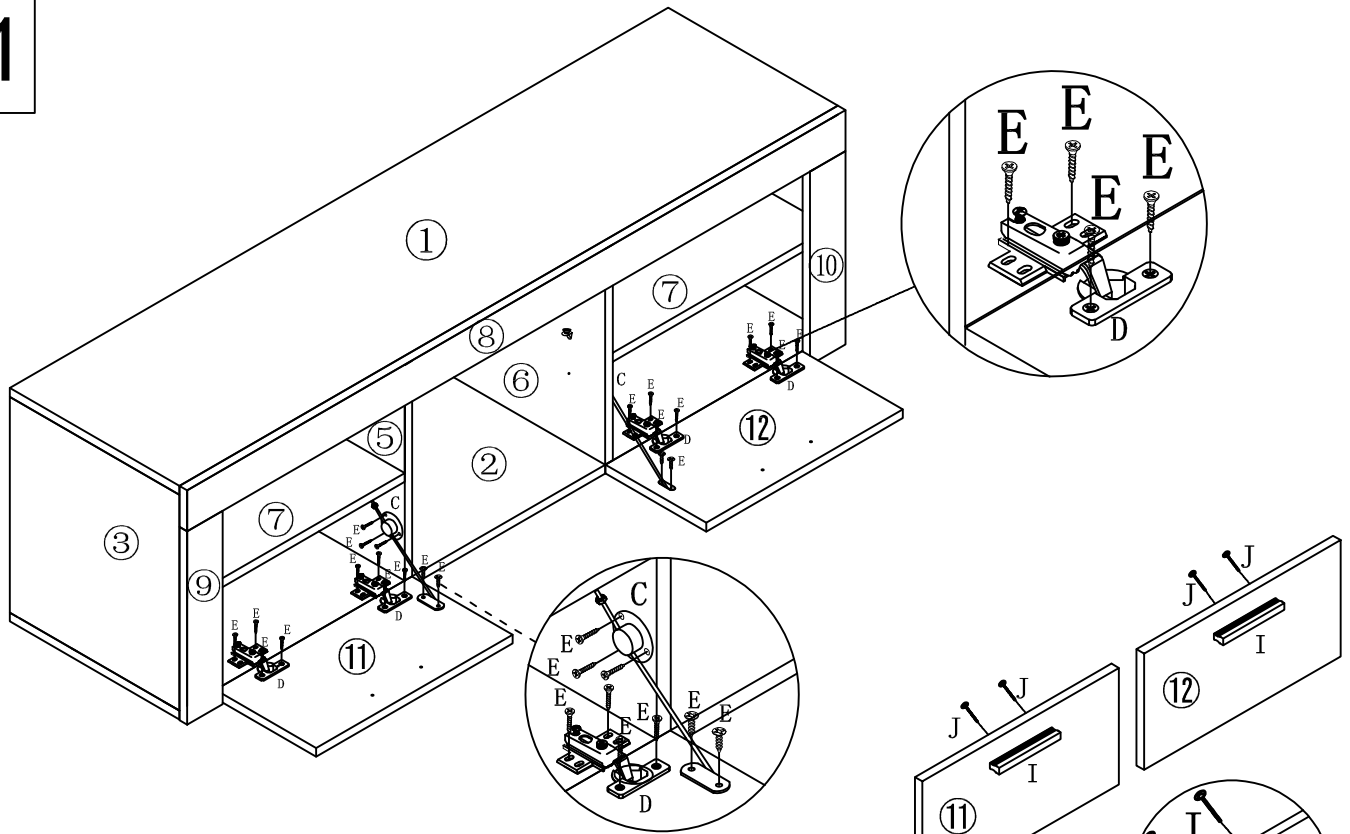
Pay attention to the positive and negative poles



10

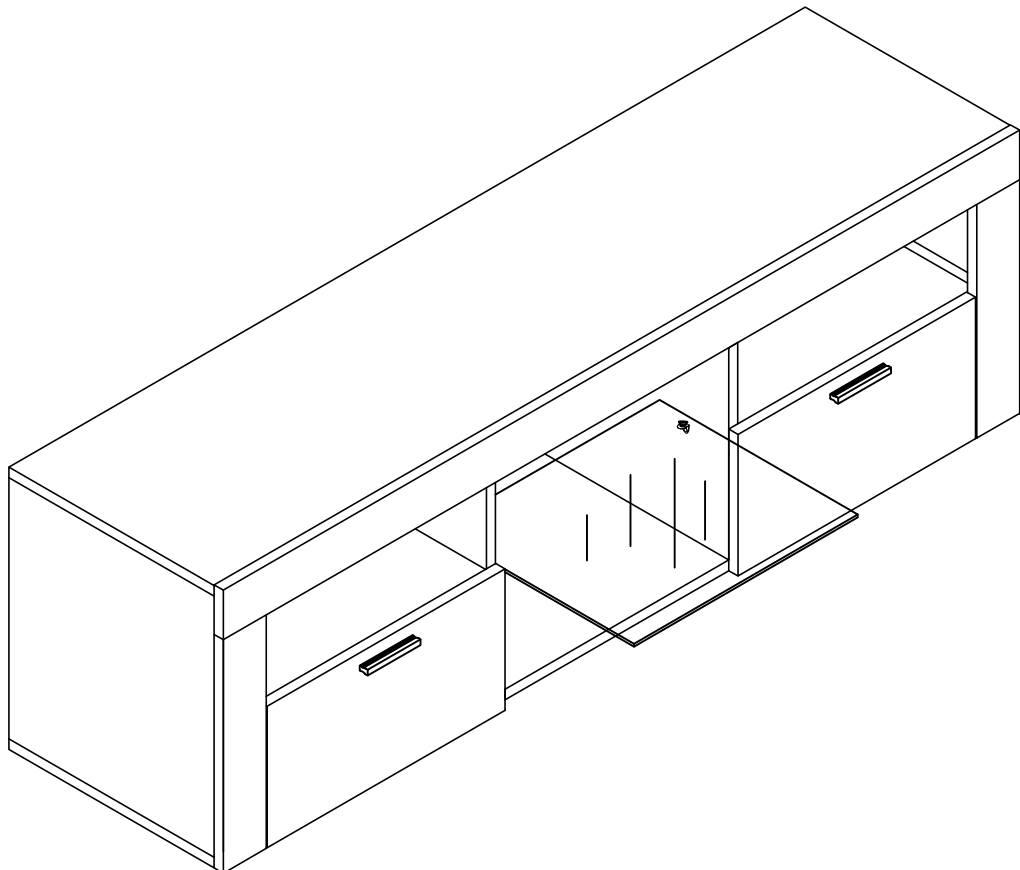


# 11



<p>C</p> <p>2pcs</p>	<p>D</p> <p>4pcs</p>	<p>E</p> <p>Φ3.5*14</p> <p>26pcs</p>	<p>I</p> <p>2pcs</p>	<p>J</p> <p>4pcs</p>
----------------------	----------------------	--------------------------------------	----------------------	----------------------

# 12



Please remove the protective plastic film after the whole assemble process finished, then the surface will be high glossy, thank you for your choice