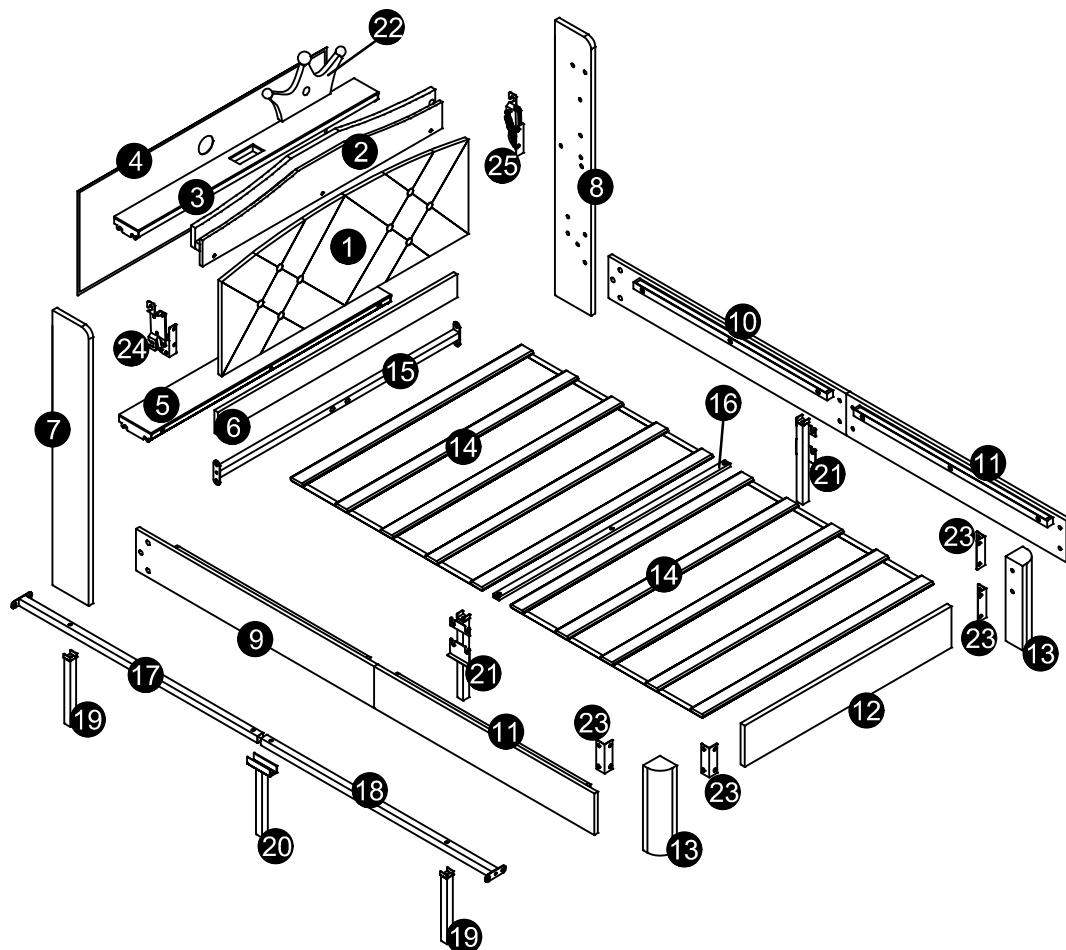


Note:

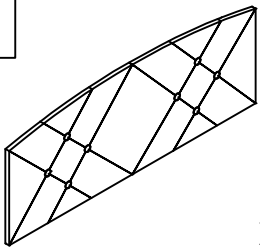
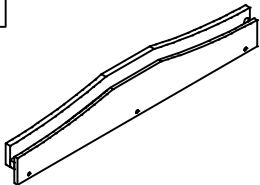
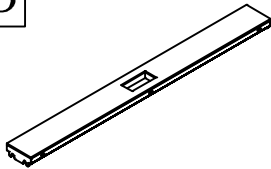
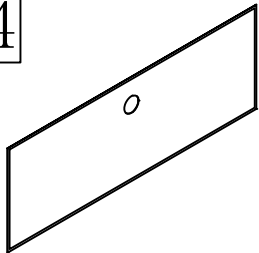
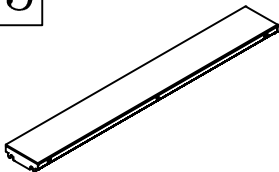
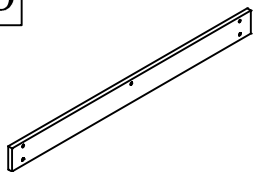


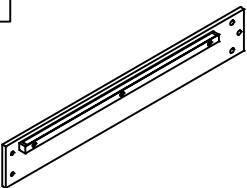
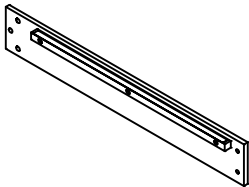
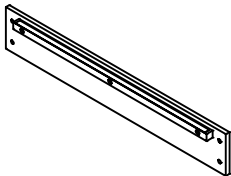
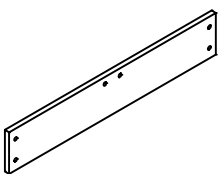

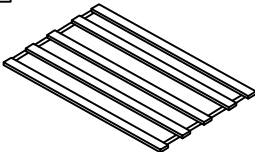
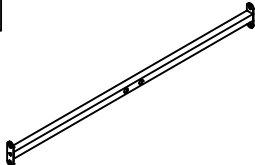
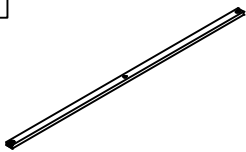
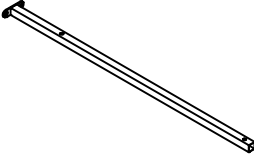
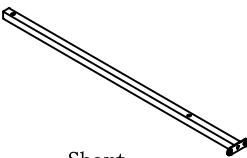
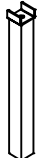
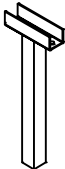

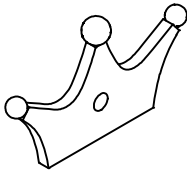
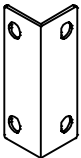


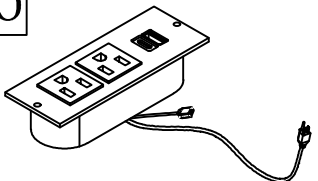
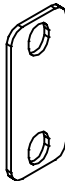
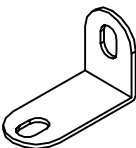
Should be assembled on flat ground to keep balance.

It needs at least two people to install.

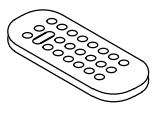
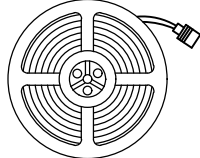
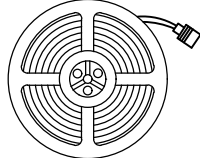
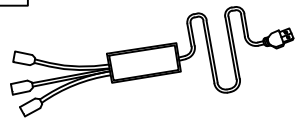
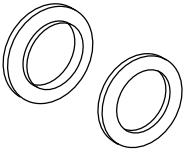
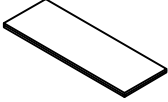
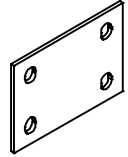
Before starting the assembly, you must read the whole manual and follow the instructions.



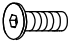


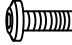





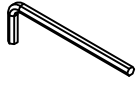
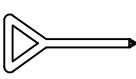


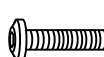
Part list

1		1PC	2		1PC	3		1PC	4		1PC
5		1PC	6		1PC	7		1PC	8		1PC
9		1PC	10		1PC	11		2PCS	12		1PC
13		2PCS	14		2PCS	15		1PC	16		1PC
17		1PC	18		1PC	19		2PCS	20		1PC
21		2PCS	22		1PC	23		4PCS	24		1PC
25		1PC	26		1PC	27		2PCS	28		2PCS



Part list

<p>29</p>  <p>1PC</p>	<p>30</p>  <p>Long light strip 2PCS</p>	<p>31</p>  <p>Short light strip 1PC</p>	<p>32</p>  <p>1PC</p>
<p>33</p>  <p>1PC</p>	<p>34</p>  <p>Strap magic tape 5PCS</p>	<p>35</p>  <p>1PC</p>	

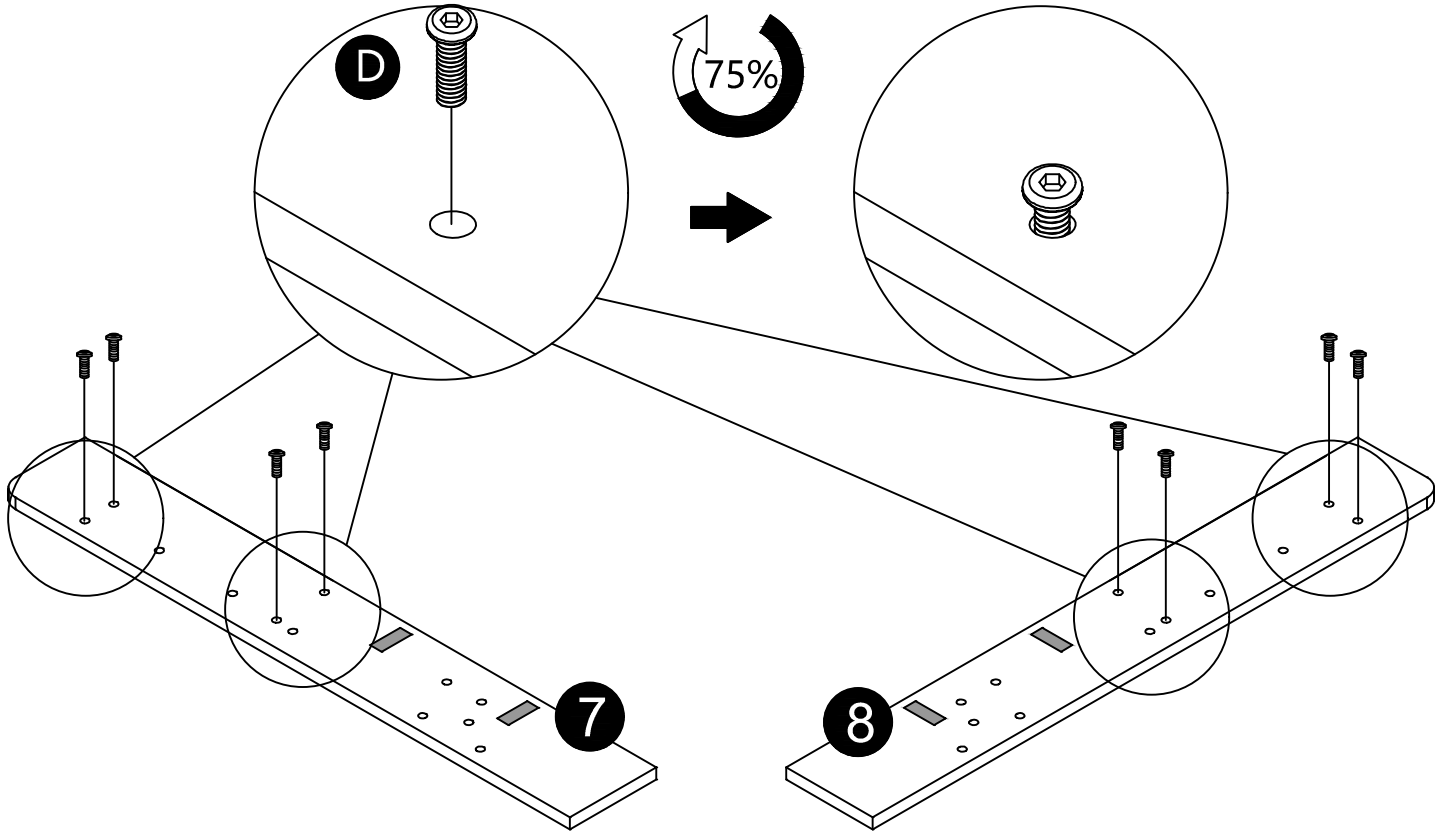
Hardware list

<p>A</p>  <p>M6*15mm 7PCS</p>	<p>B</p>  <p>M6*25mm 9PCS</p>	<p>C</p>  <p>M8*15mm 14PCS</p>	<p>D</p>  <p>M8*20mm 28PCS</p>	<p>E</p>  <p>M8*35mm 7PCS</p>
<p>F</p>  <p>M8*50mm 2PCS</p>	<p>G</p>  <p>M3*12mm 3PCS</p>	<p>H</p>  <p>M8*Ø22 14PCS</p>	<p>J</p>  <p>M6 1PC</p>	<p>K</p>  <p>M8 1PC</p>
<p>L</p>  <p>1PC</p>	<p>M</p>  <p>M8*15mm 9PCS</p>	<p>N</p>  <p>M8*20mm 11PCS</p>	<p>P</p>  <p>M8*35mm 5PCS</p>	



Step1

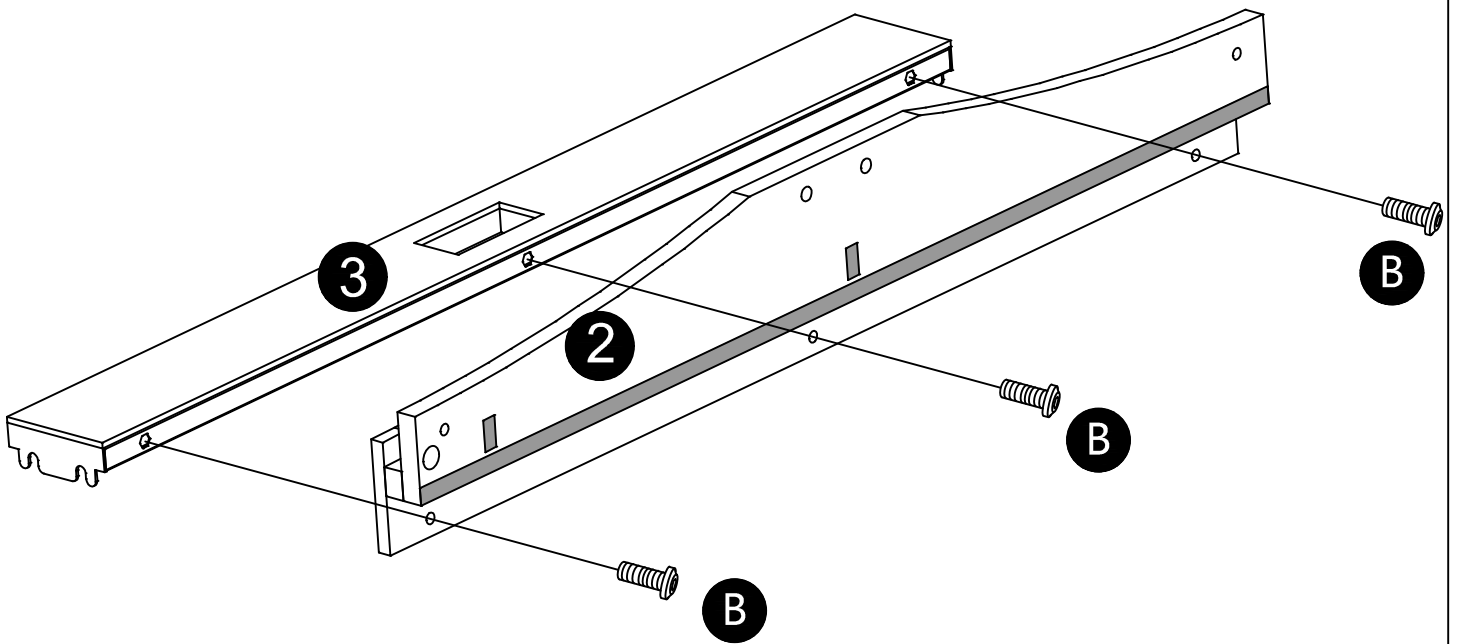
D		M8*20mm	8pcs
K		M8	1pc

Do not tighten the screws securely





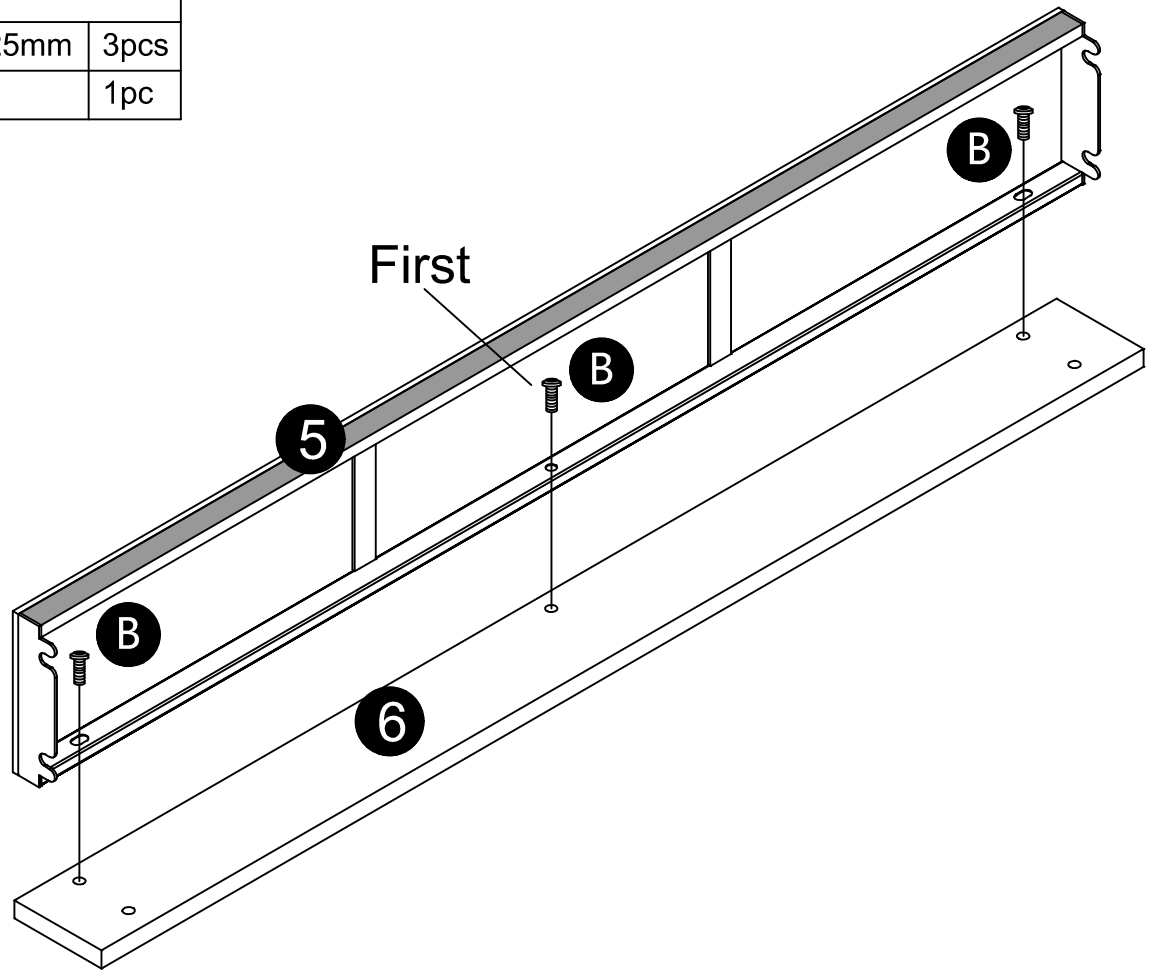
Step2

B		M6*25mm	3pcs
J		M6	1pc




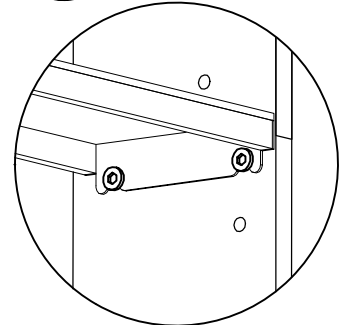
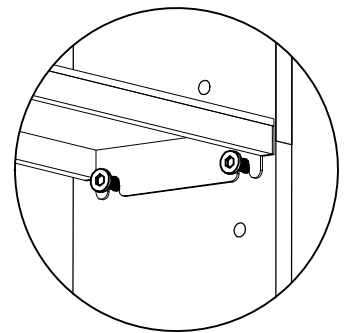
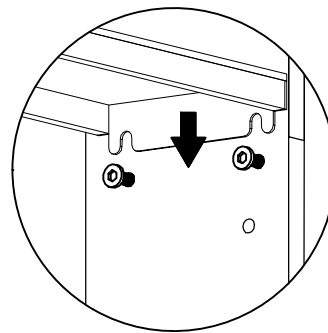
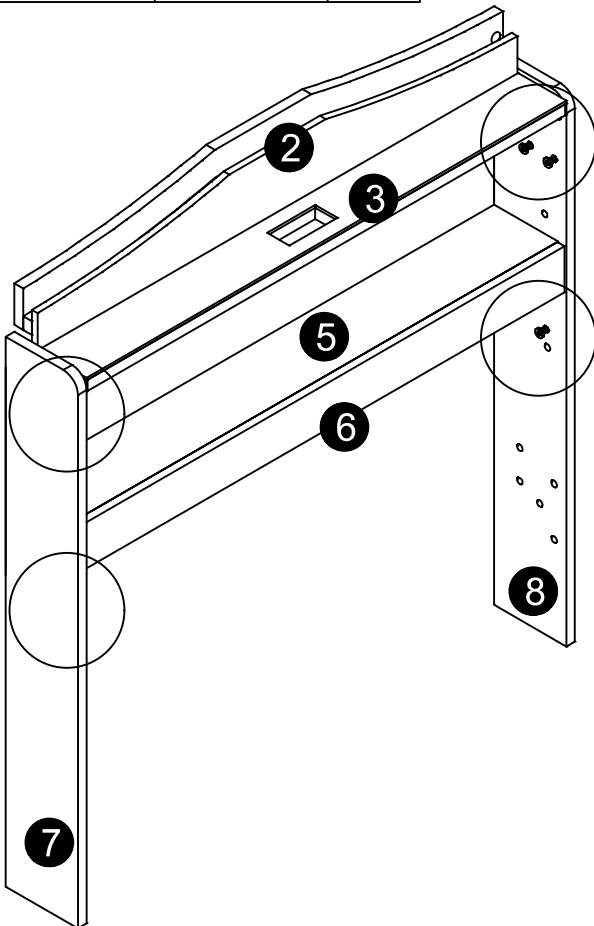
Step3

B		M6*25mm	3pcs
J		M6	1pc



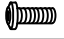

Step4

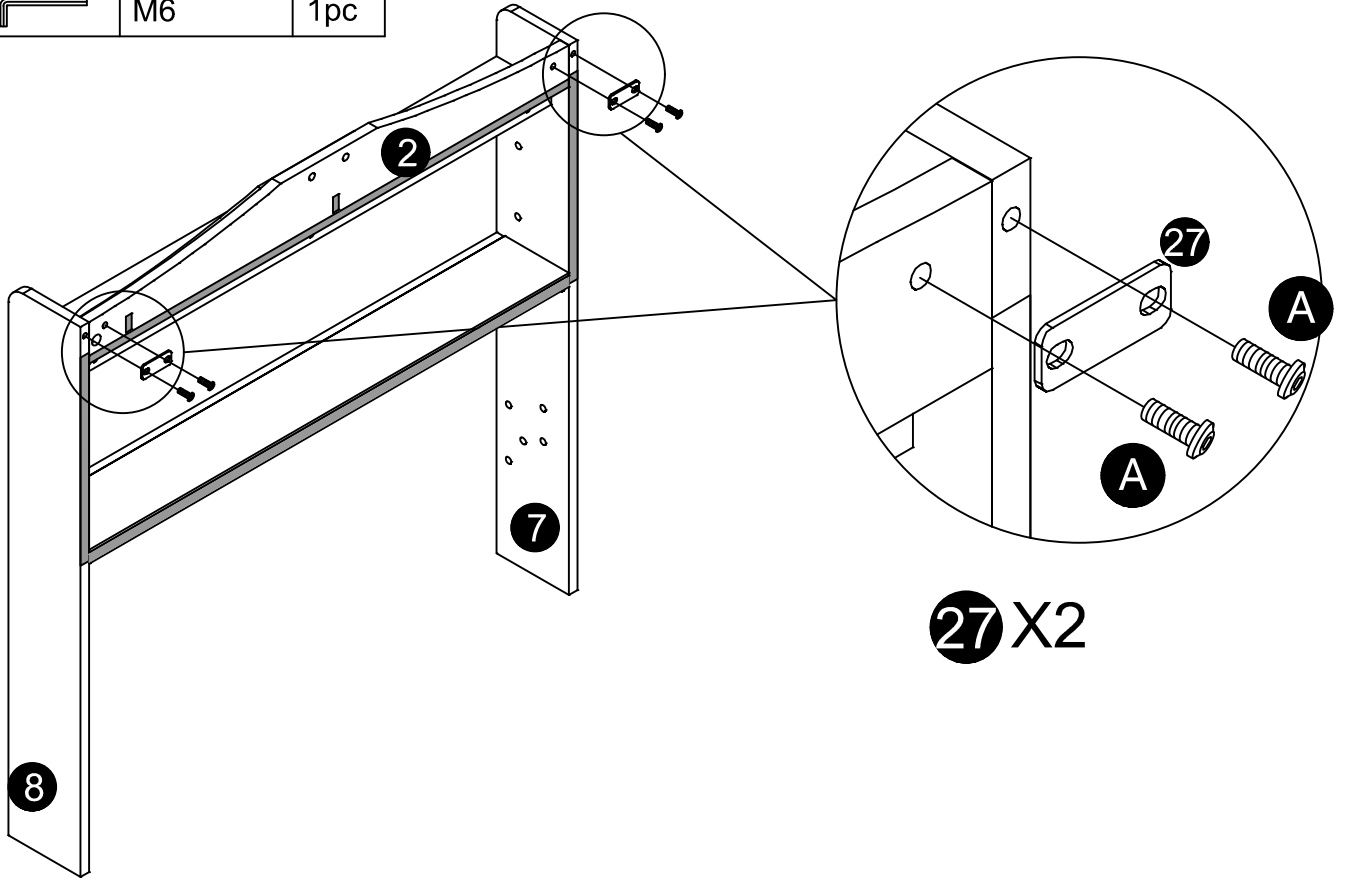
K		M8	1pc
---	---	----	-----







Tighten the screws

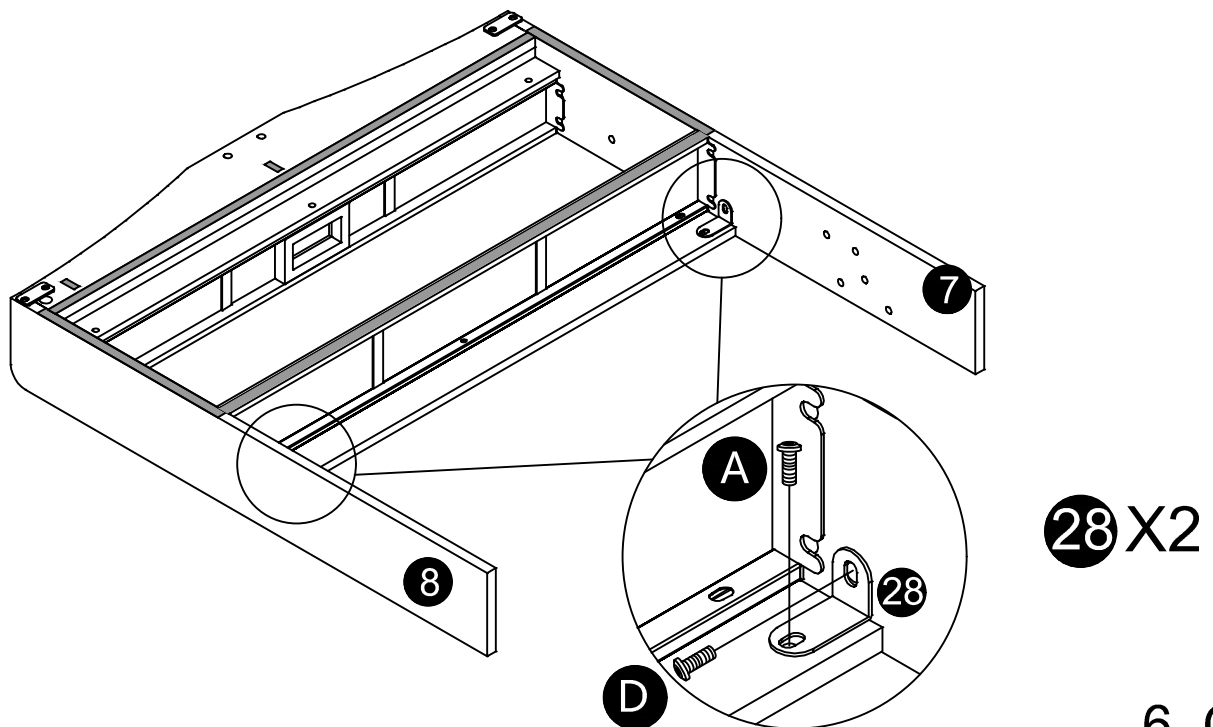
Step5

A		M6*15mm	4pcs
J		M6	1pc


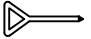


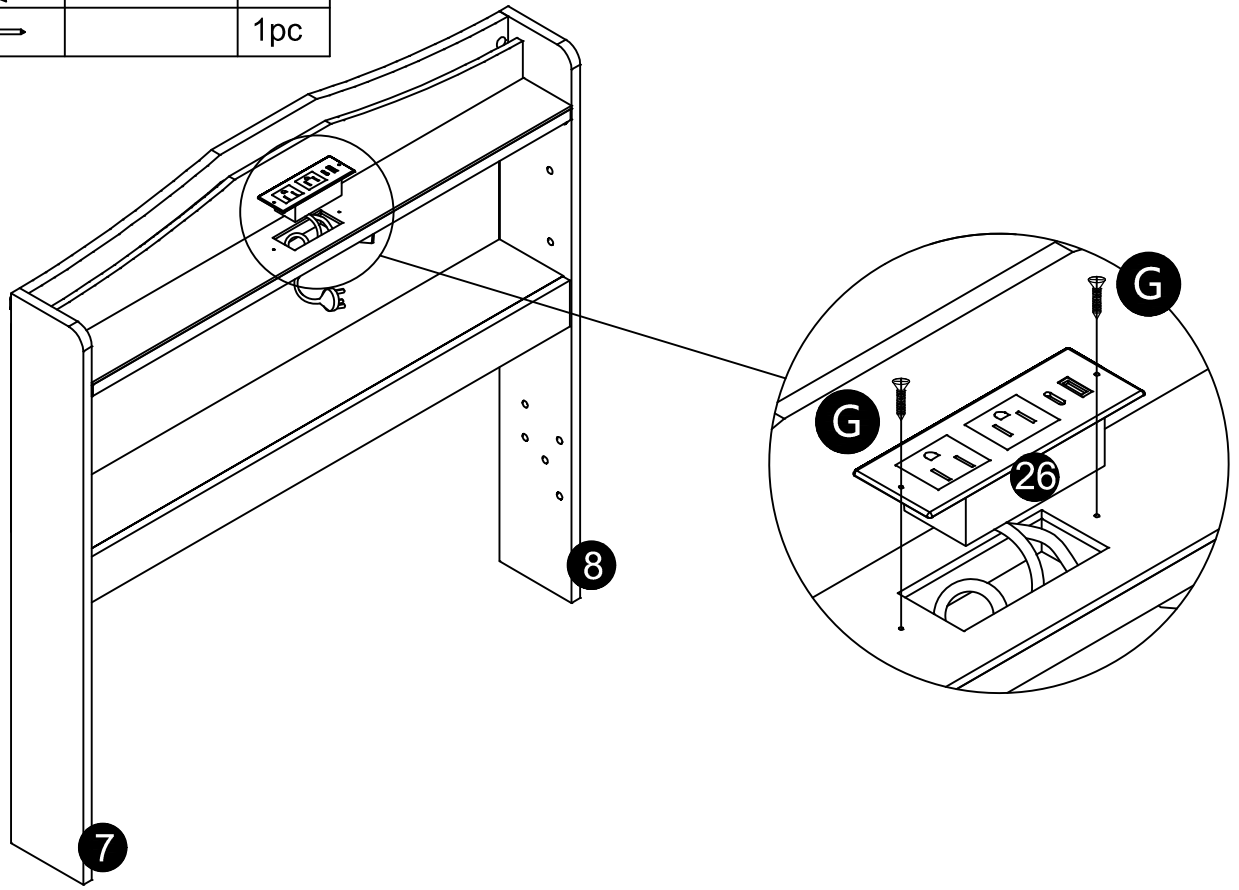
Step6

A		M6*15mm	2pcs
D		M8*20mm	2pcs
J		M6	1pc
K		M8	1pc


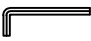


Step7

G		M3*12mm	2pcs
L			1pc

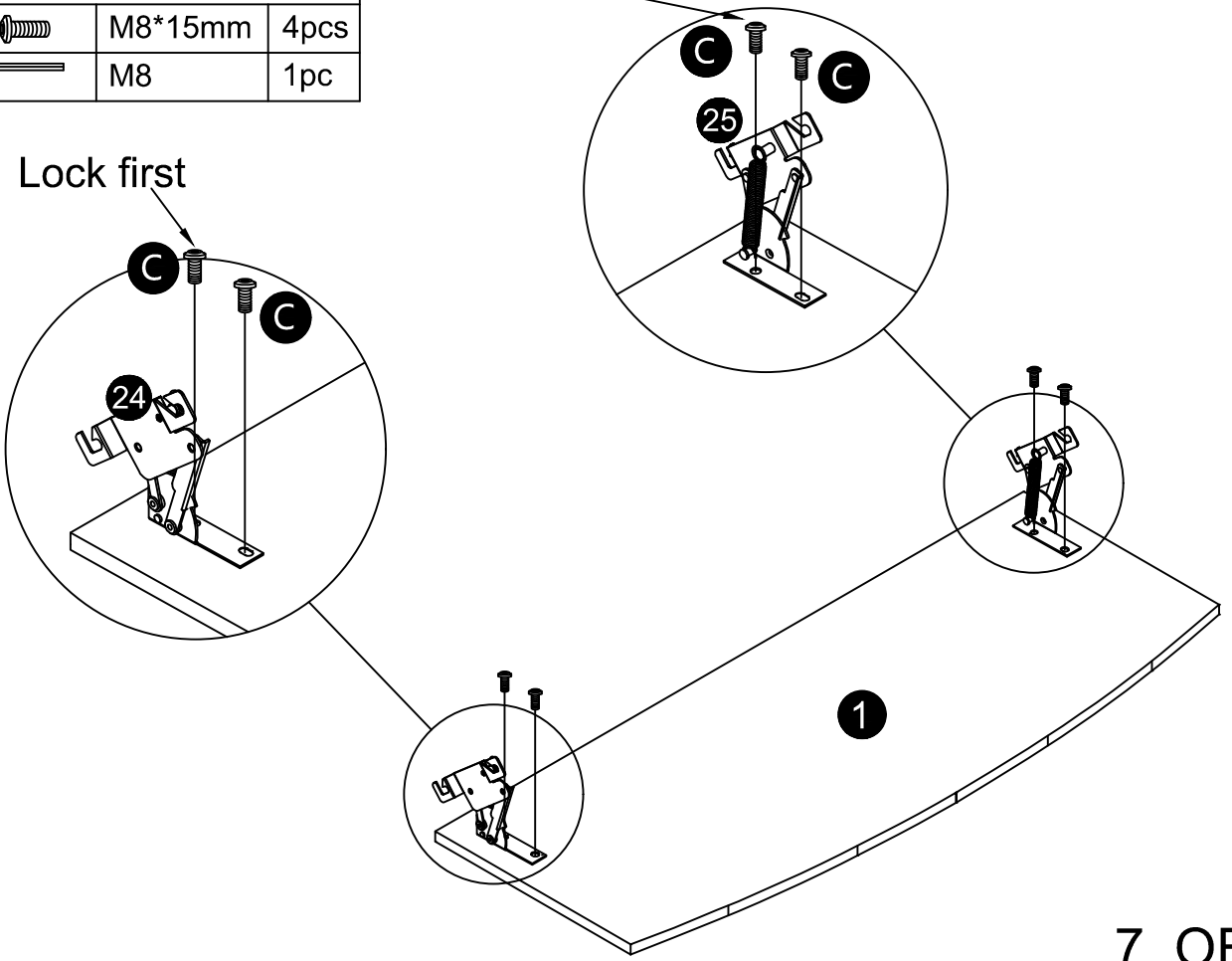


Step8

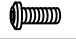

C		M8*15mm	4pcs
K		M8	1pc

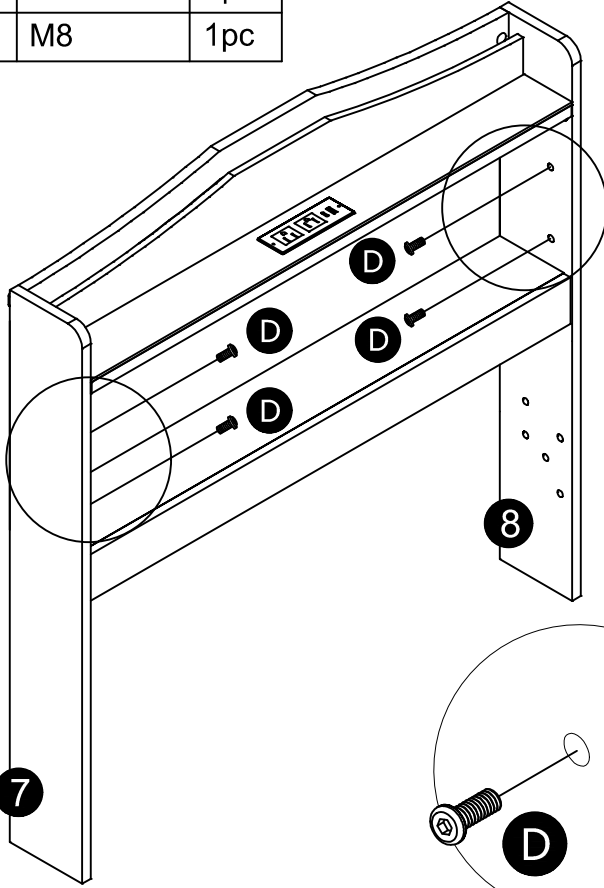
Lock first

Lock first

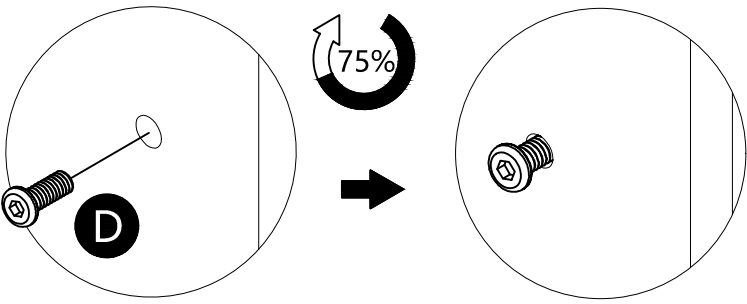


Step9

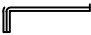
D		M8*20mm	4pcs
K		M8	1pc

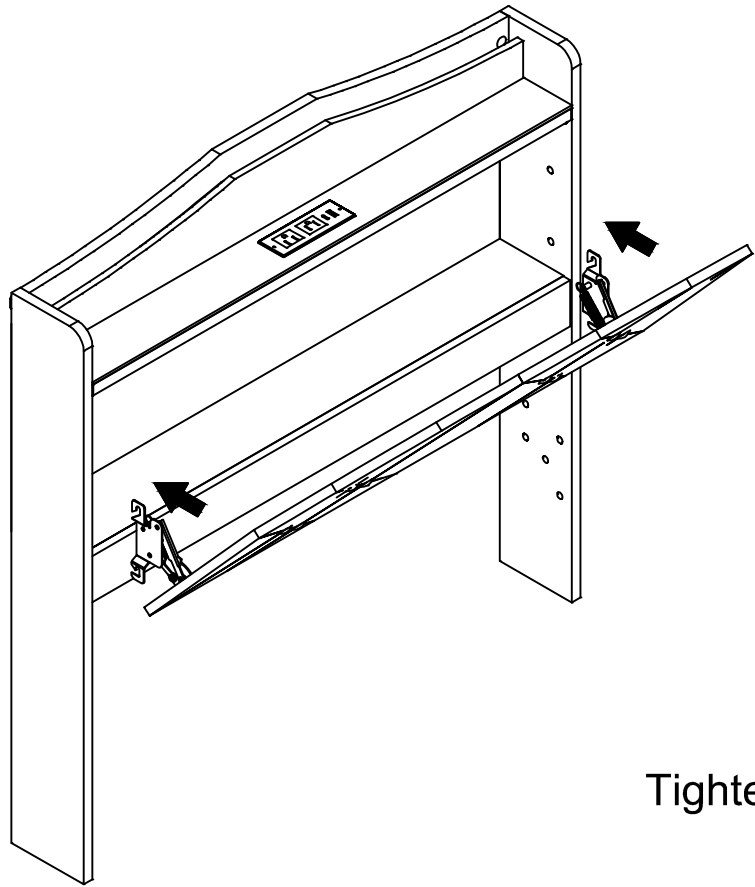


Do not tighten the screws securely

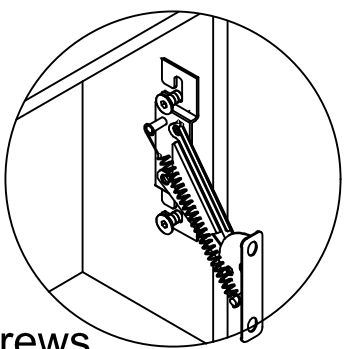
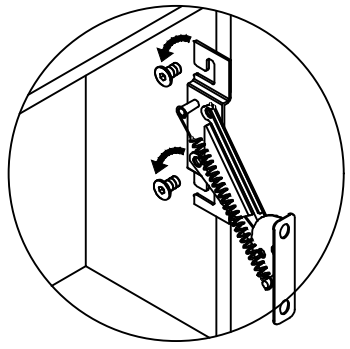


Step10

K		M8	1pc
---	---	----	-----

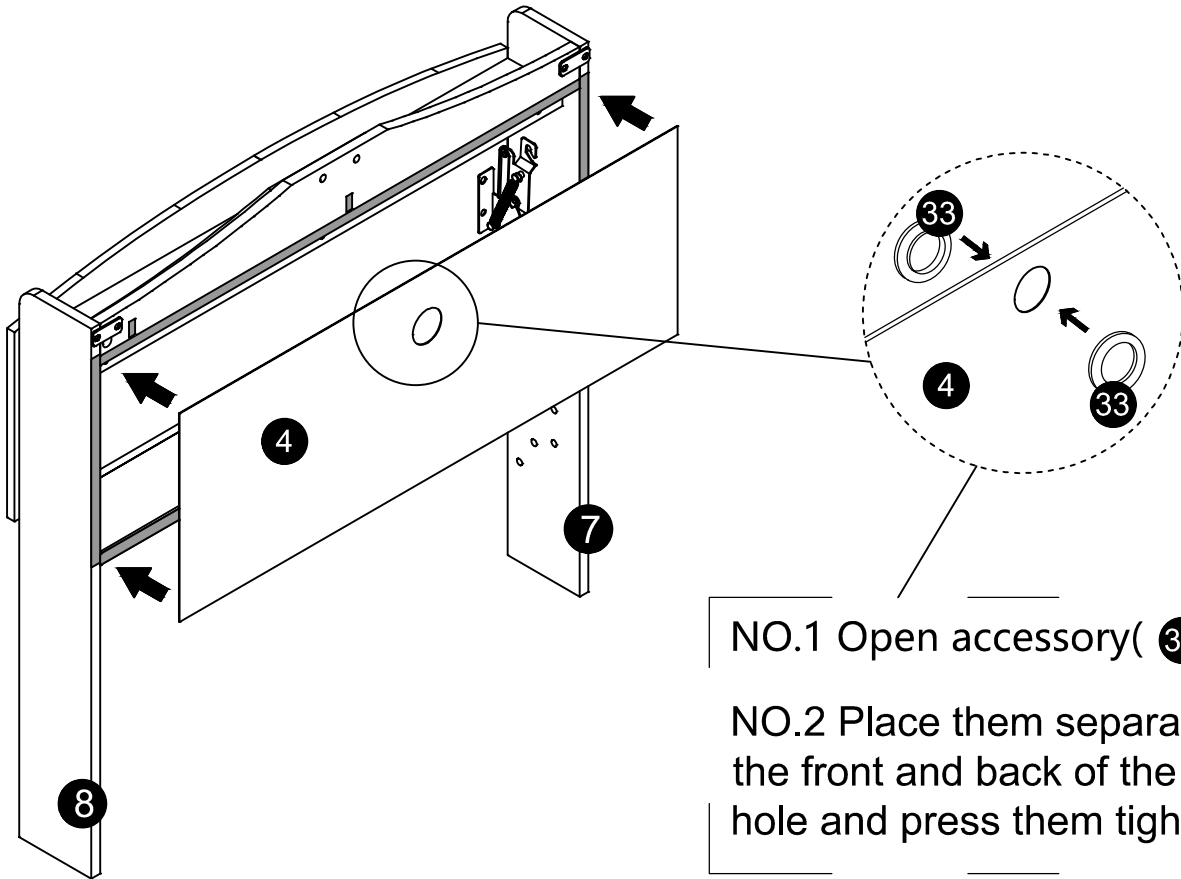


Hang it up first



Tighten the screws



Step11

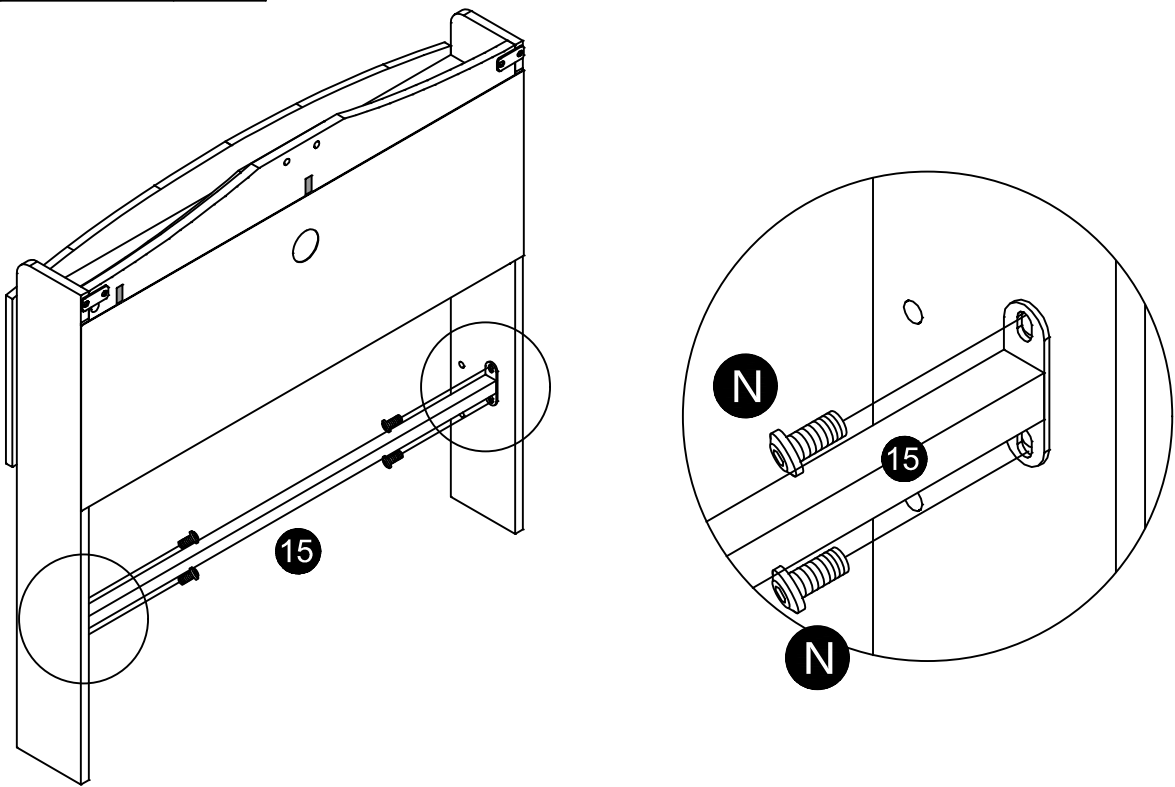


NO.1 Open accessory(33)



NO.2 Place them separately on the front and back of the (4) hole and press them tightly

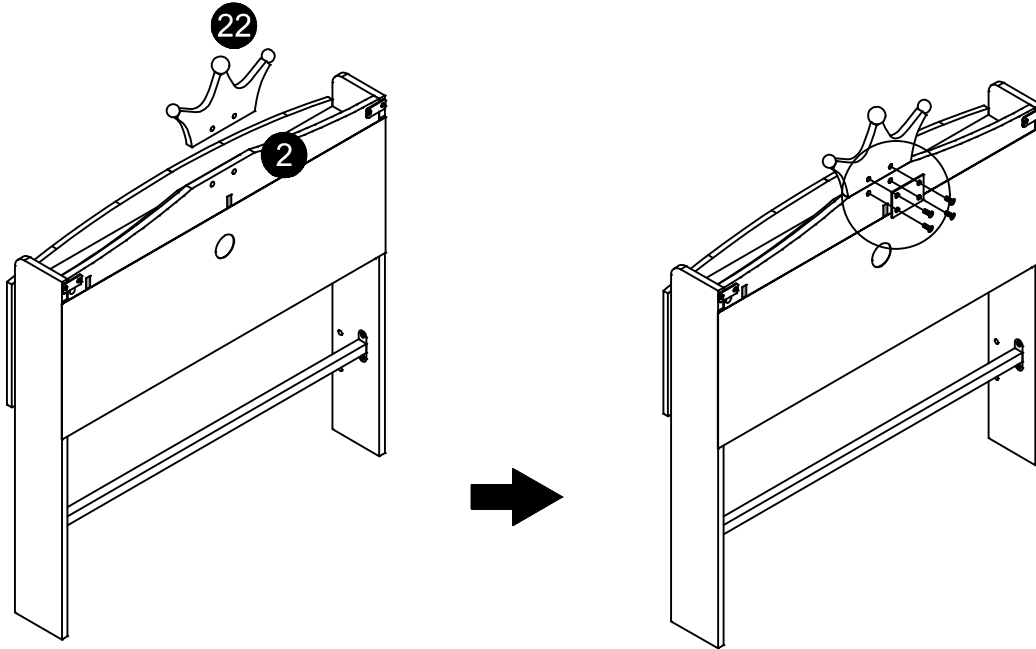
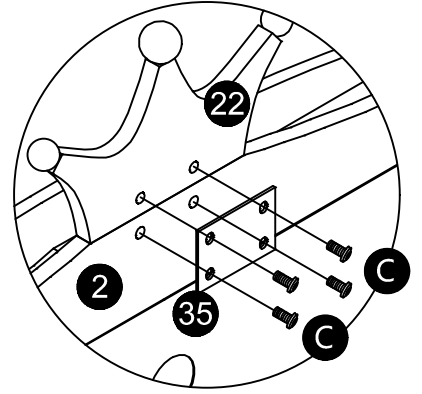
Step12

N		M8*20mm	4pcs
K		M8	1pc





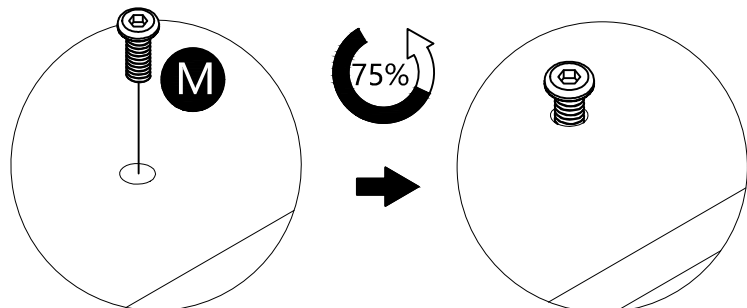
Step13

C		M8*15mm	4pcs
K		M8	1pc

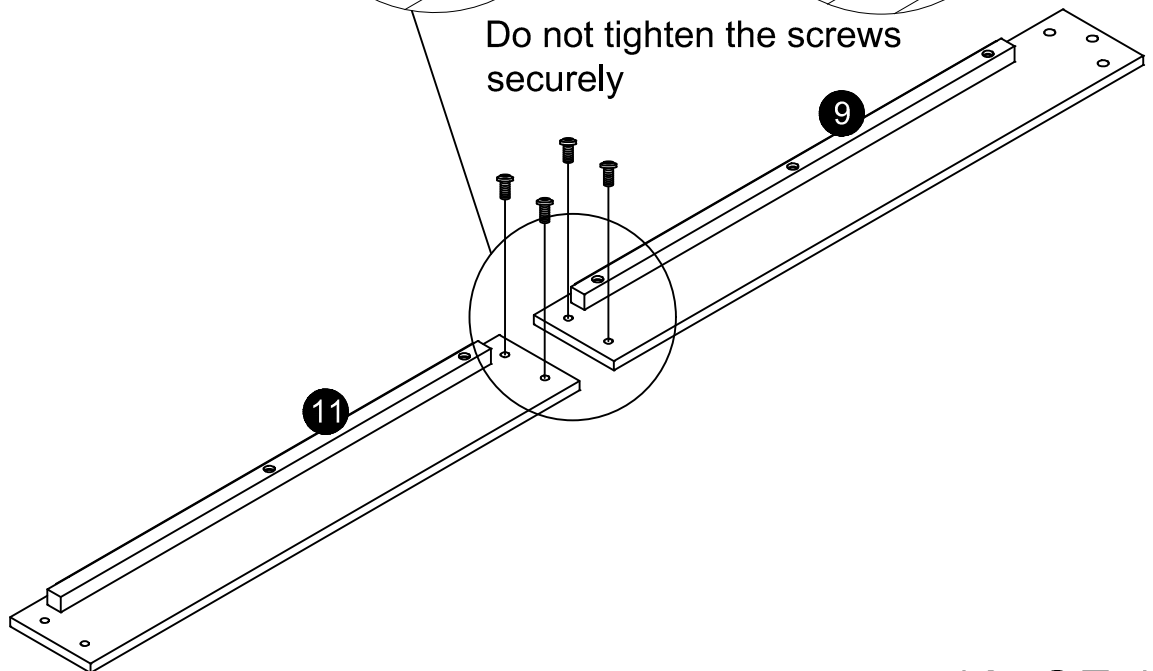


Step14



M		M8*15mm	4pcs
K		M8	1pc

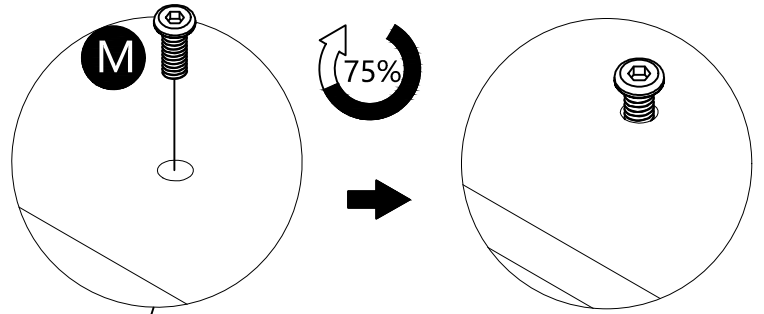


Do not tighten the screws securely

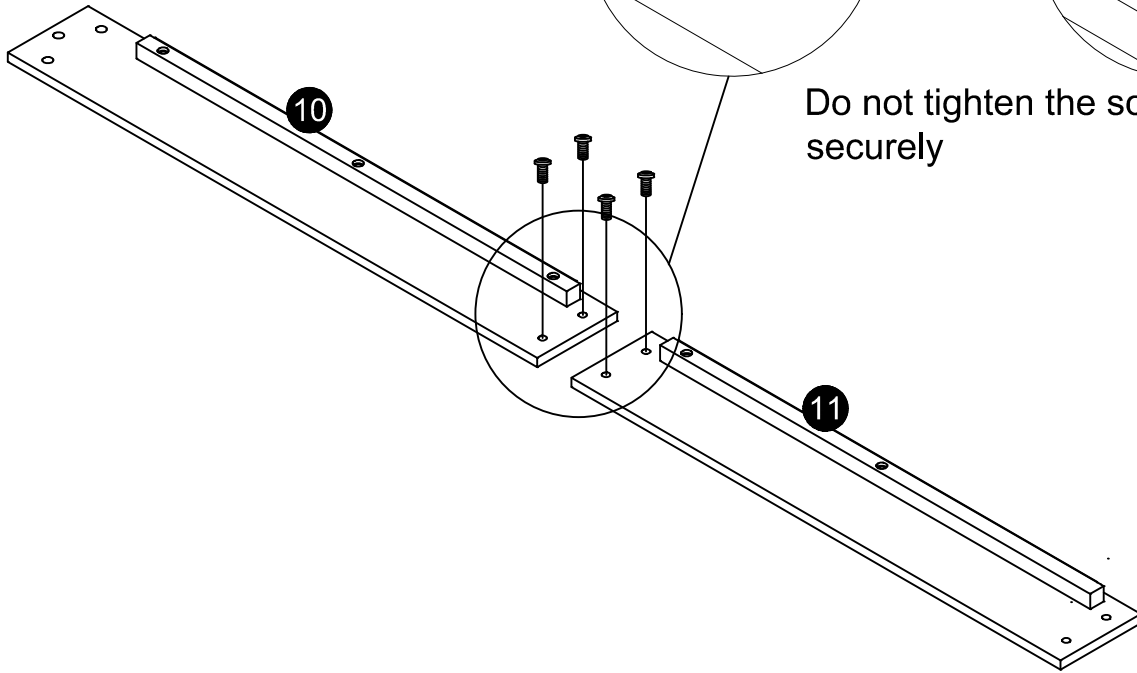


Step15


M		M8*15mm	4pcs
K		M8	1pc



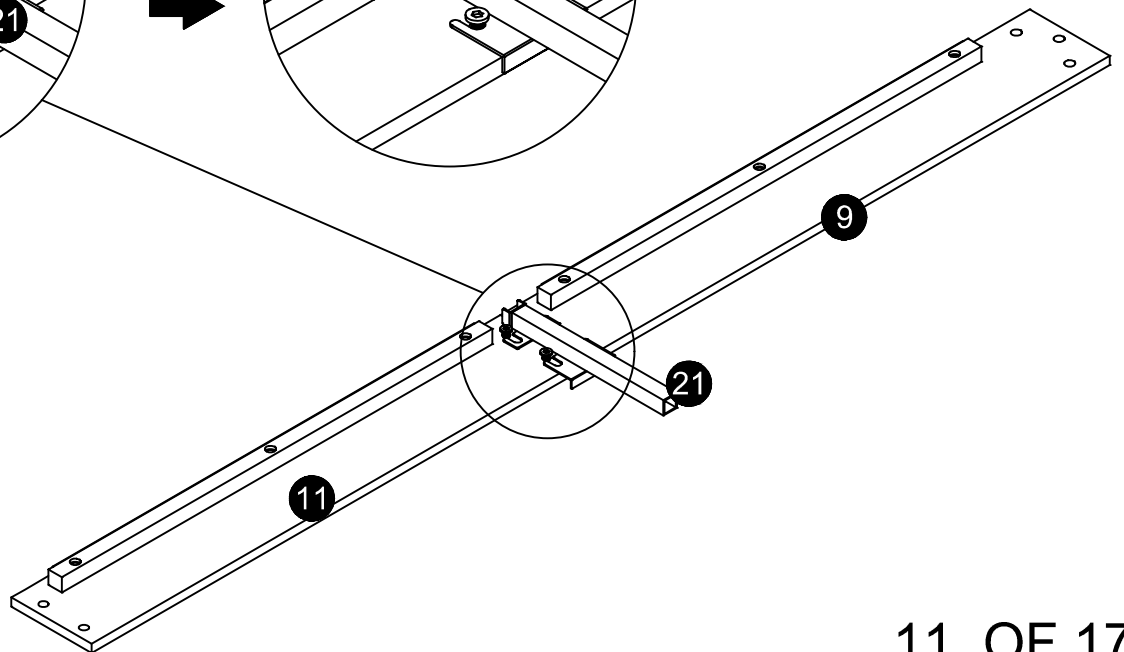
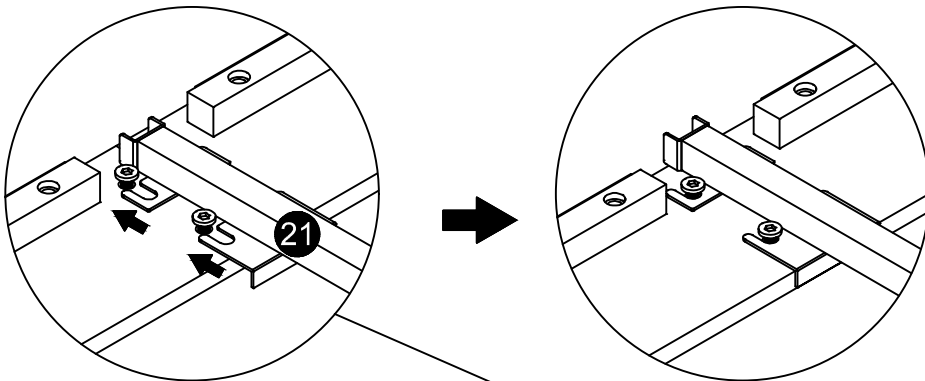
Do not tighten the screws securely




Step16

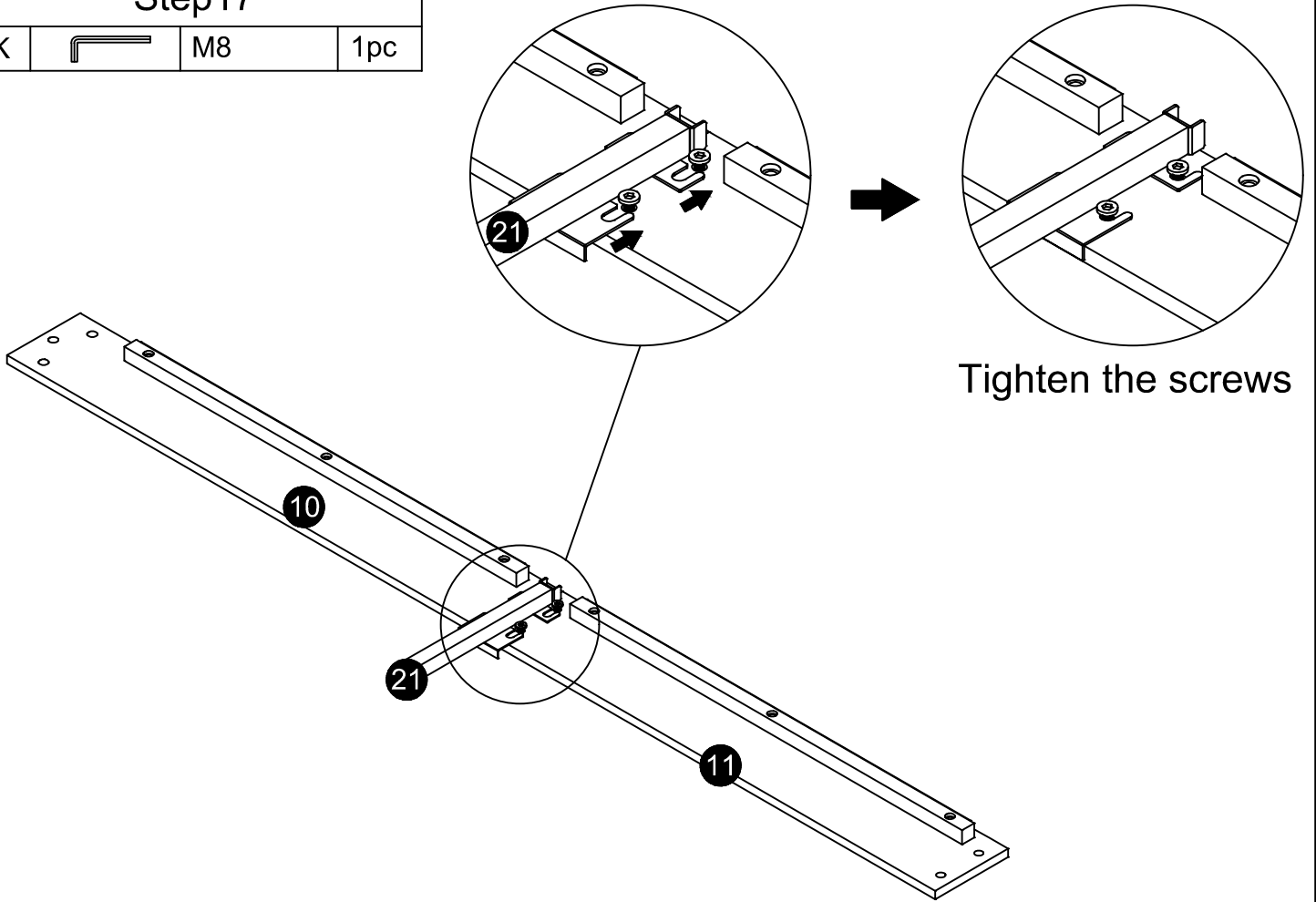
K		M8	1pc
---	---	----	-----

Tighten the screws



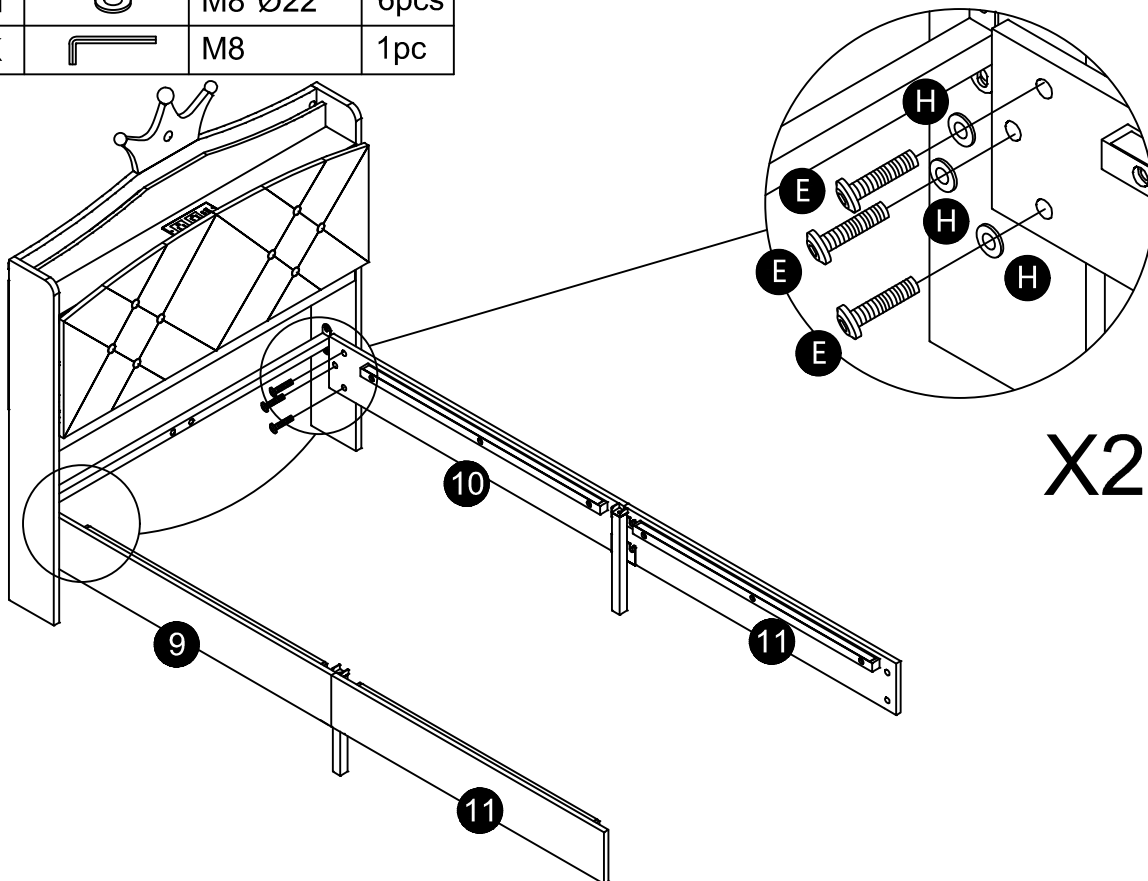
Step17

K		M8	1pc
---	---	----	-----





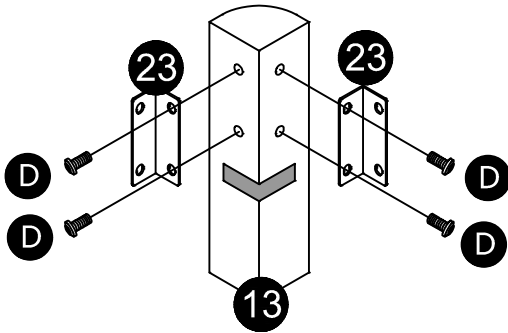
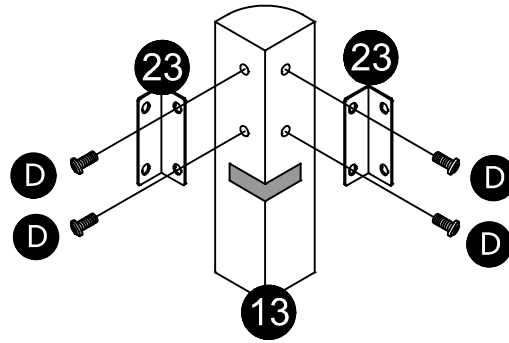
Step18

E		M8*35mm	6pcs
H		M8*Ø22	6pcs
K		M8	1pc





Step19

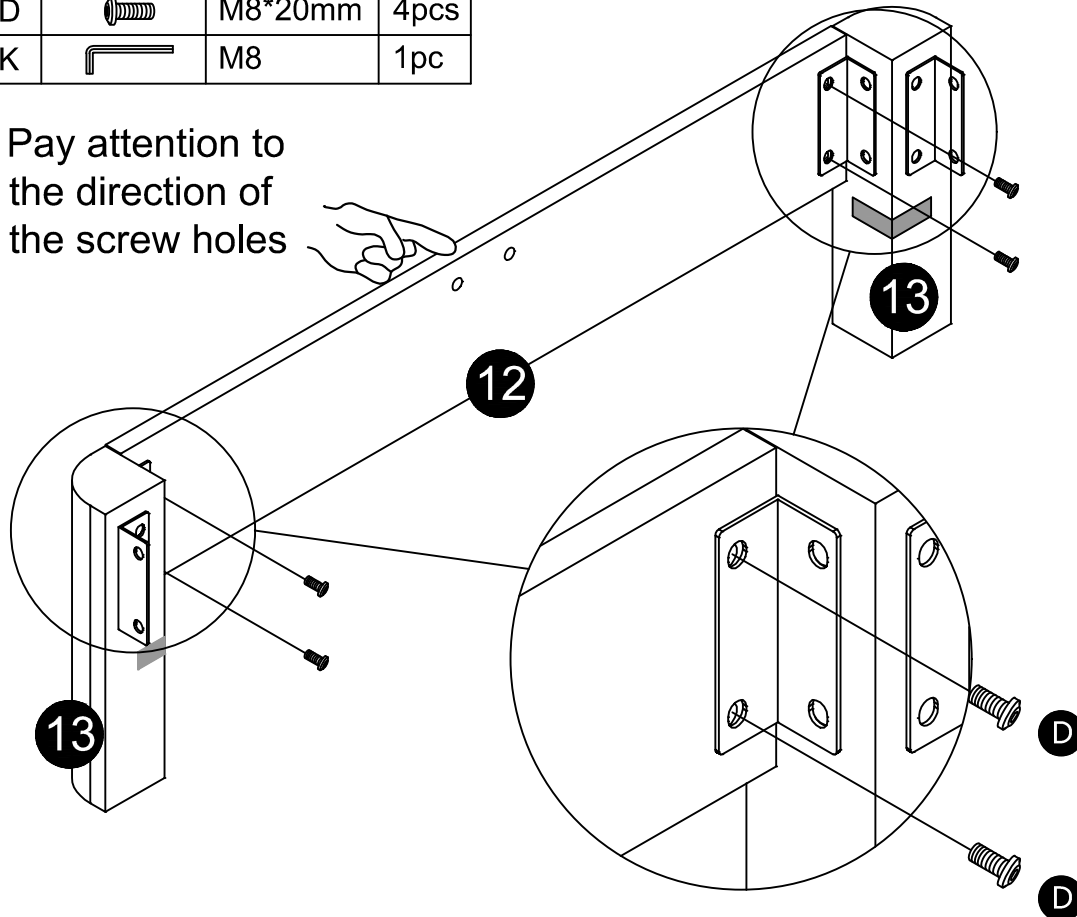
D		M8*20mm	8pcs
K		M8	1pc



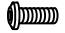

Step20

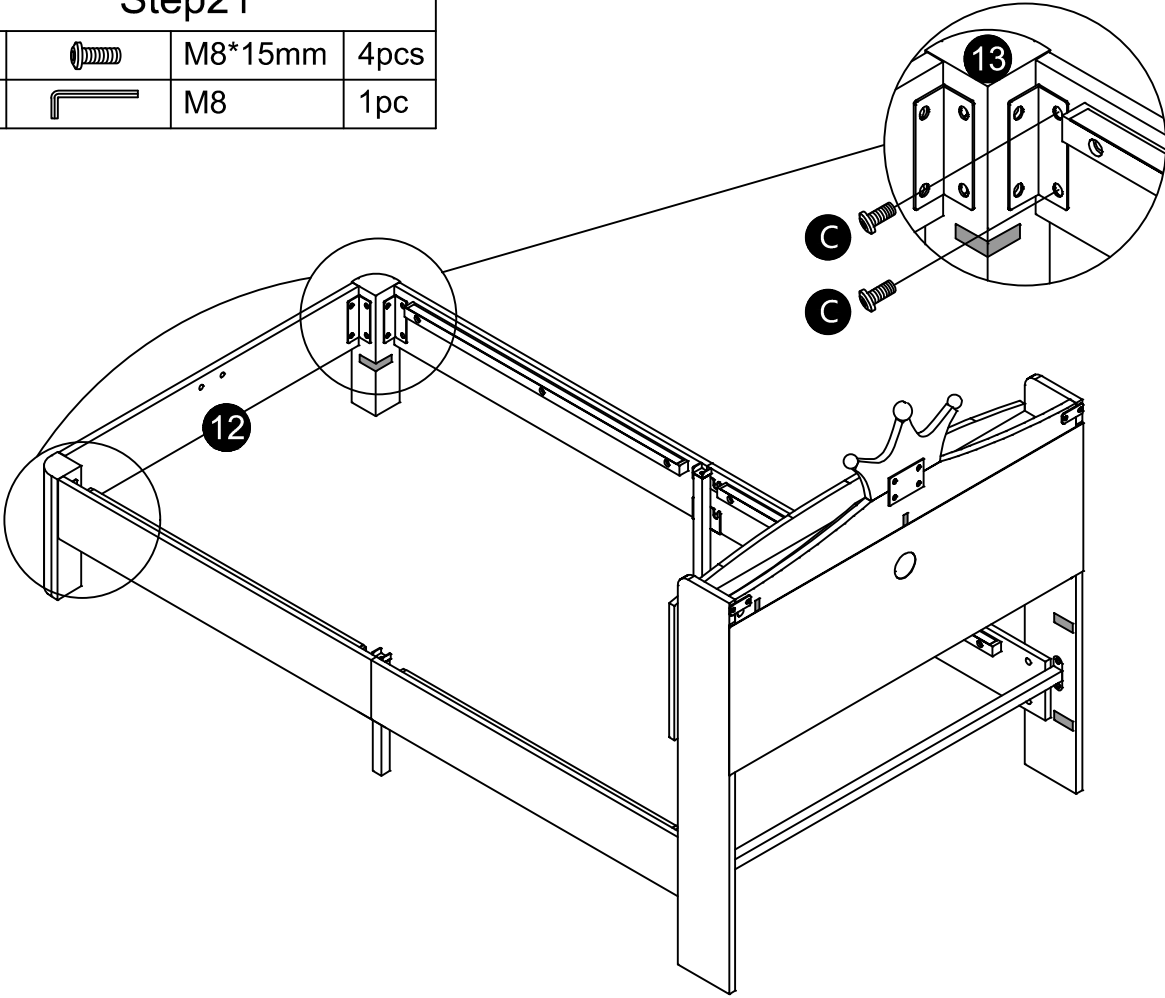
D		M8*20mm	4pcs
K		M8	1pc

Pay attention to the direction of the screw holes



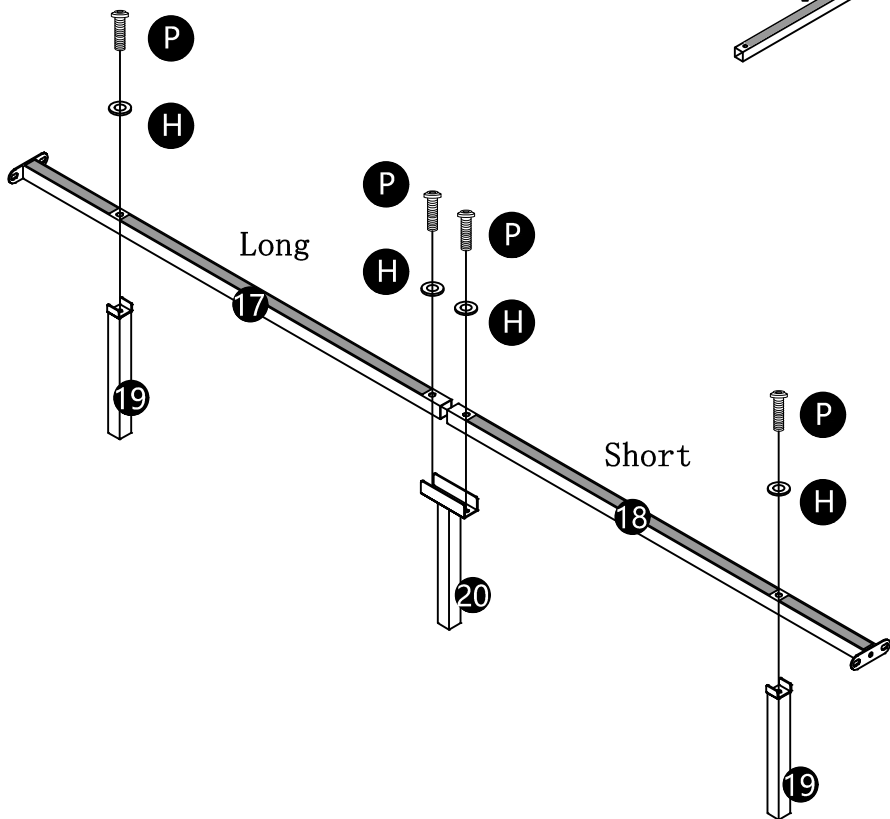
Step21

C		M8*15mm	4pcs
K		M8	1pc





Step22

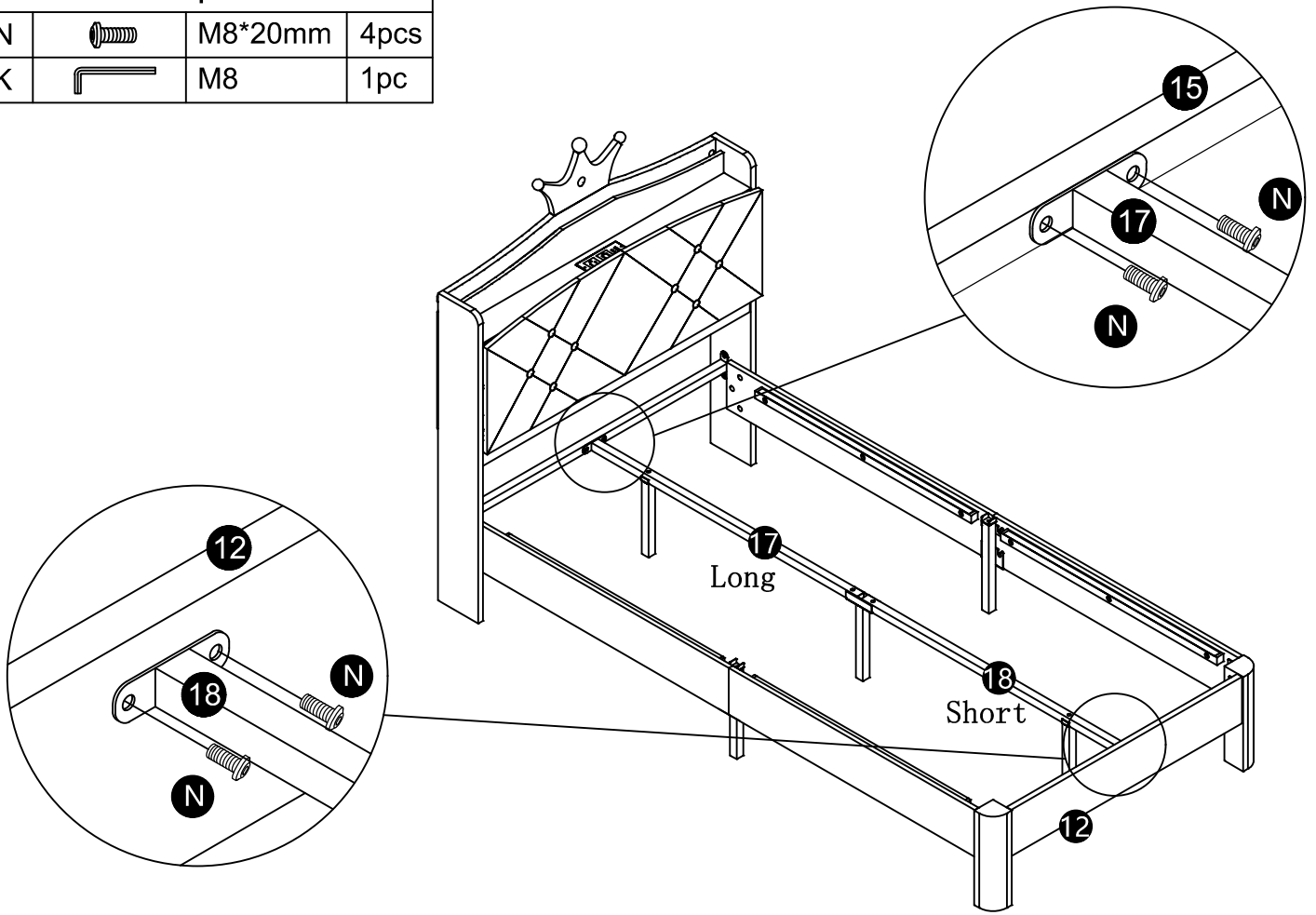
P		M8*35mm	4pcs
H		M8*Ø22	4pcs
K		M8	1pc







Please be sure to pay attention to the fact that there are mute stickers facing upwards during assembly, and the material feels soft to the touch

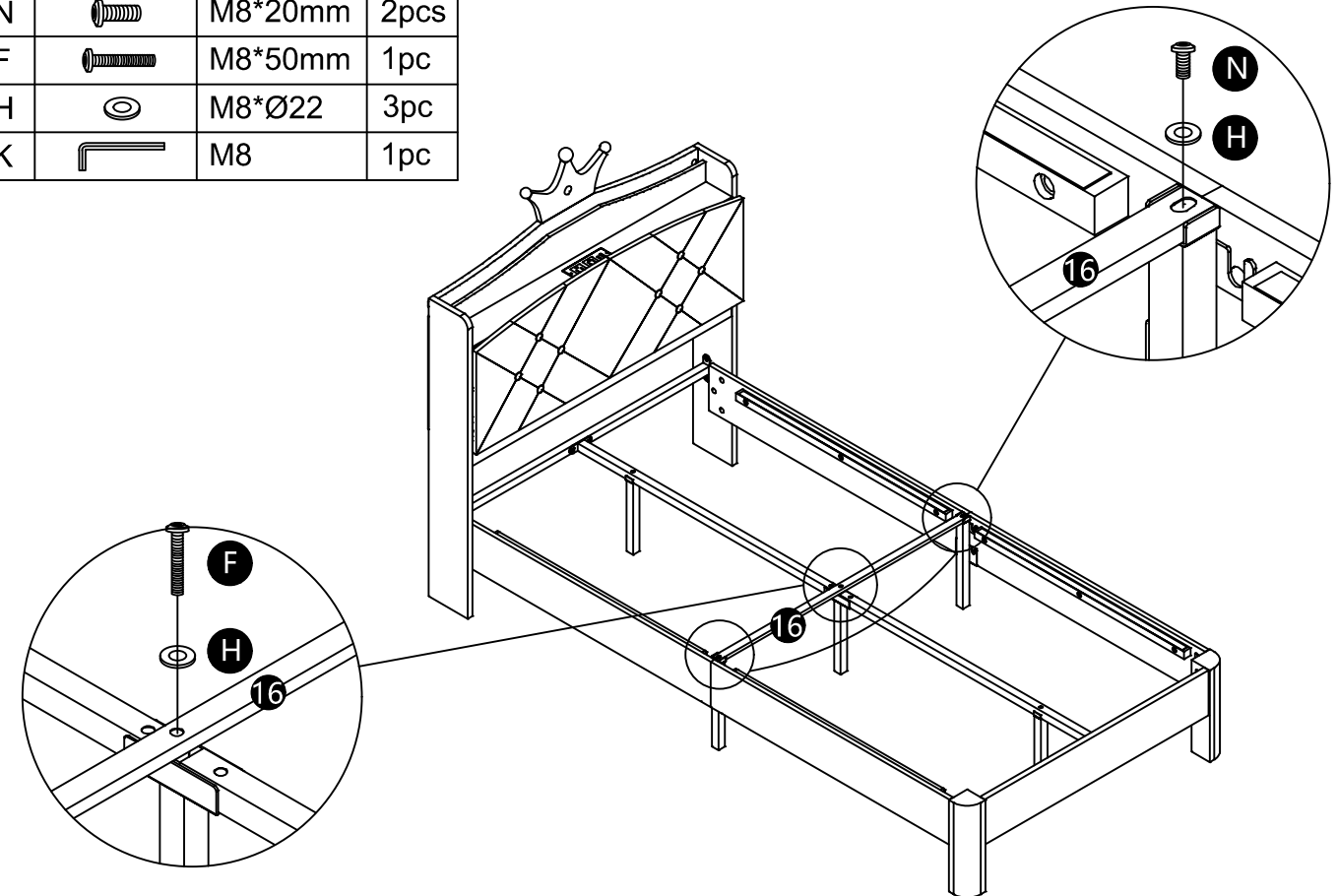
Step23

N		M8*20mm	4pcs
K		M8	1pc



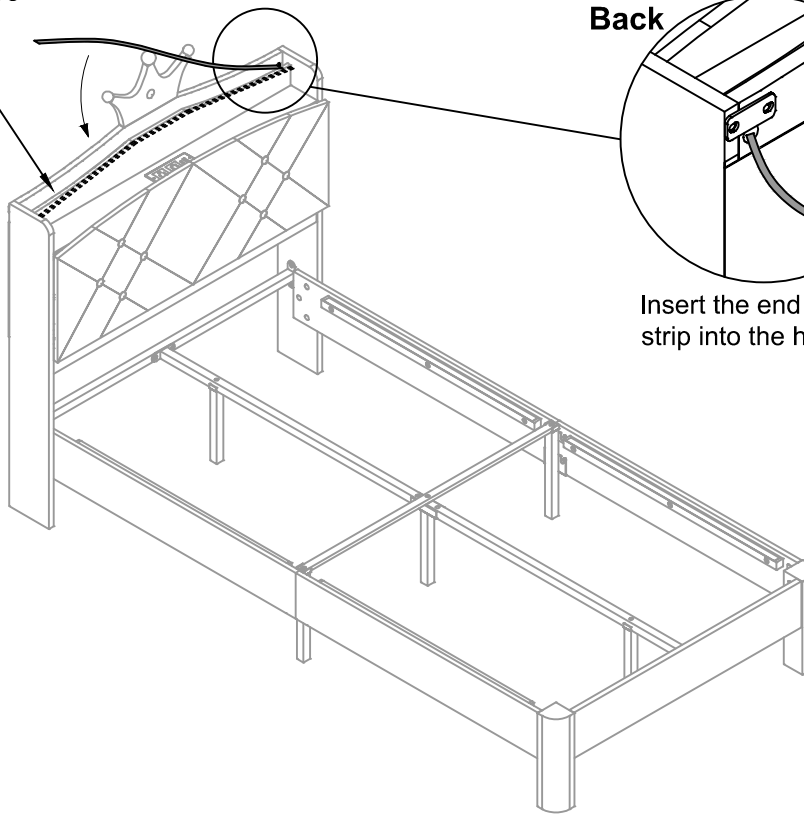
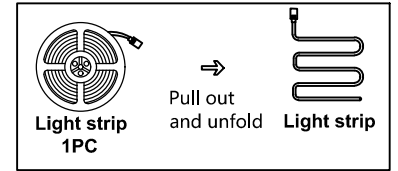
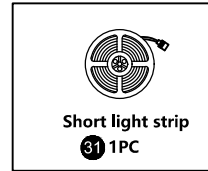
Step24

N		M8*20mm	2pcs
F		M8*50mm	1pc
H		M8*Ø22	3pc
K		M8	1pc

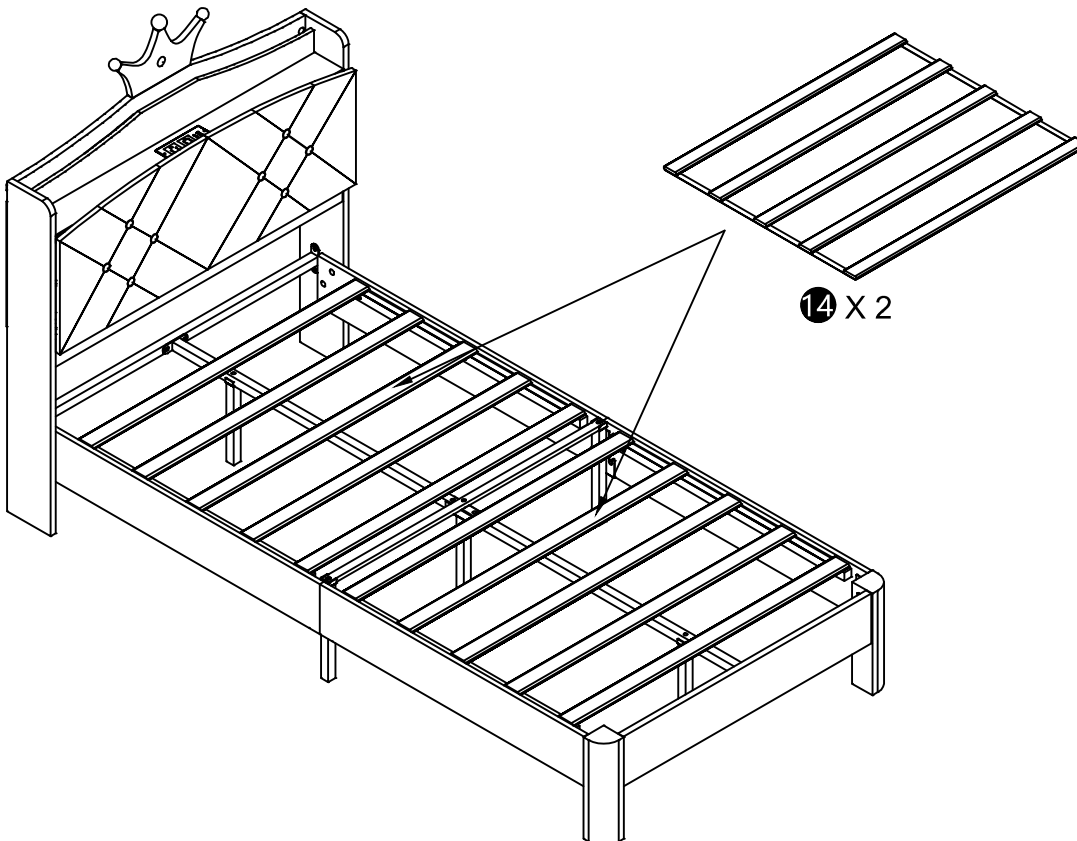


Step25

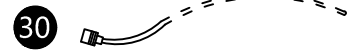
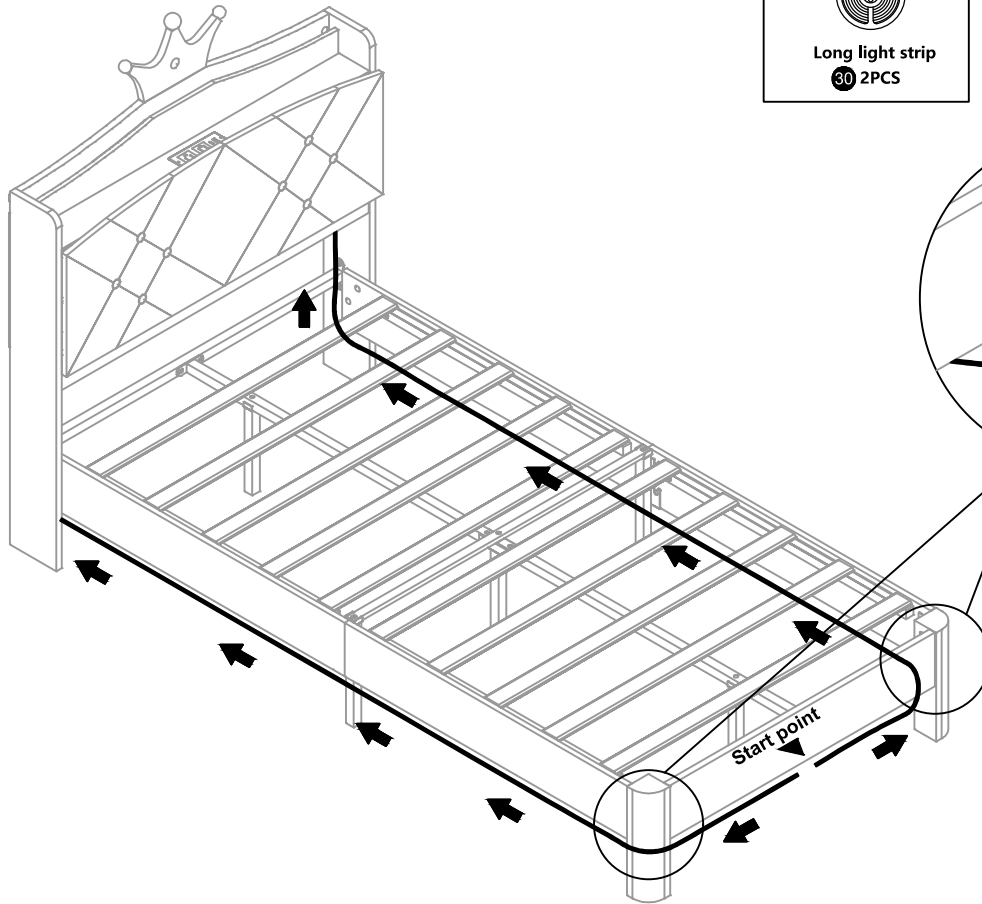
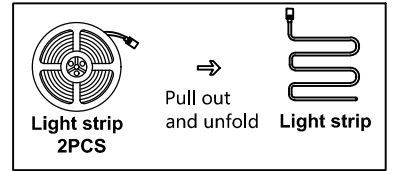
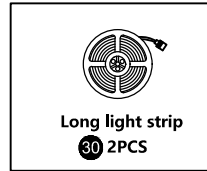
Stick the light strip into the groove at the top of the bedhead, with Velcro inside the groove



Step26

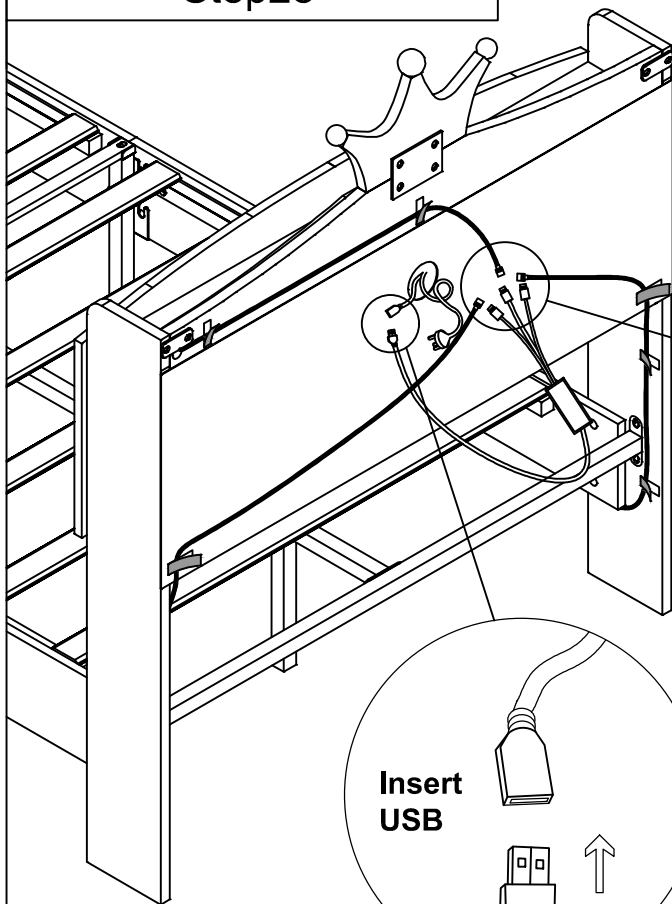


Step27

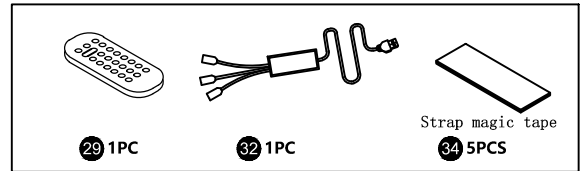


At the bottom stick the light strip on

Step28



Insert USB



Clip in the harness Magic Band

